

Bluetooth Antenna Specification

Manufacturer: Aska Electronics Co.,Ltd

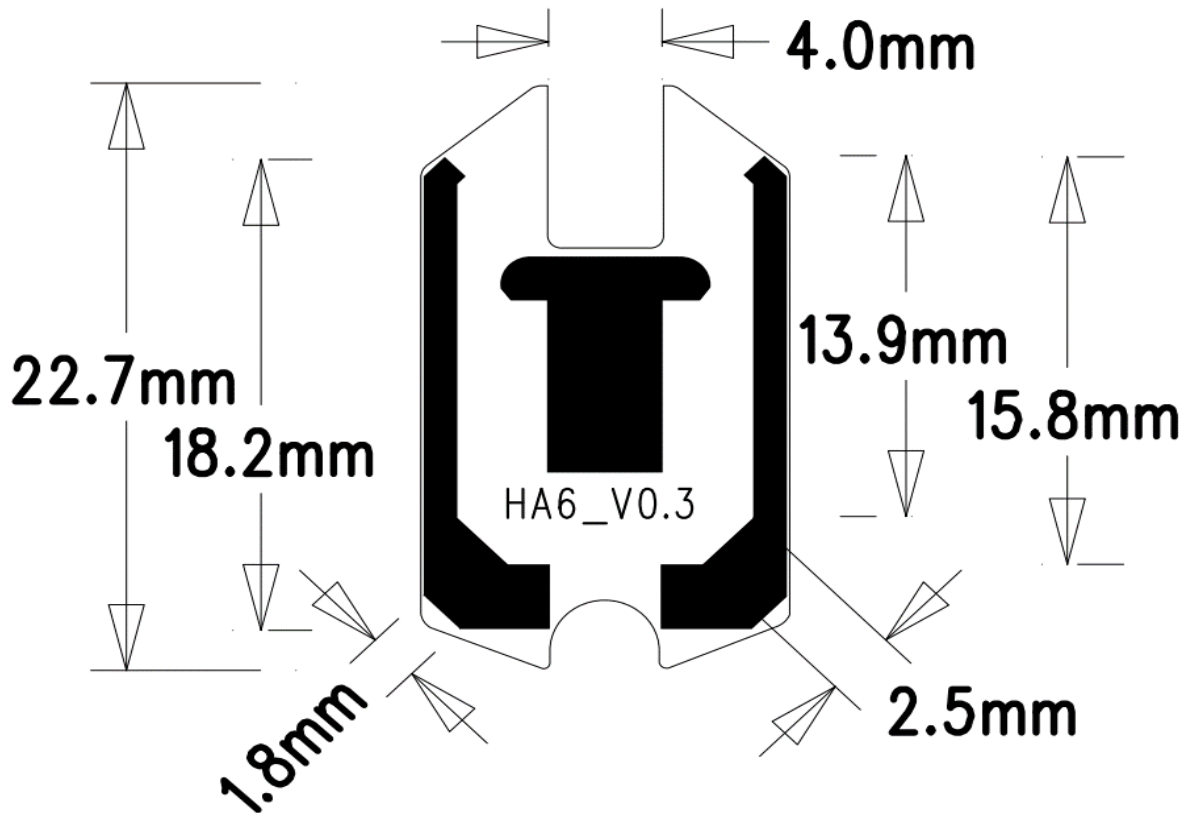
Model: FPC_HA-06_A1

Type: FPC

1) Total:

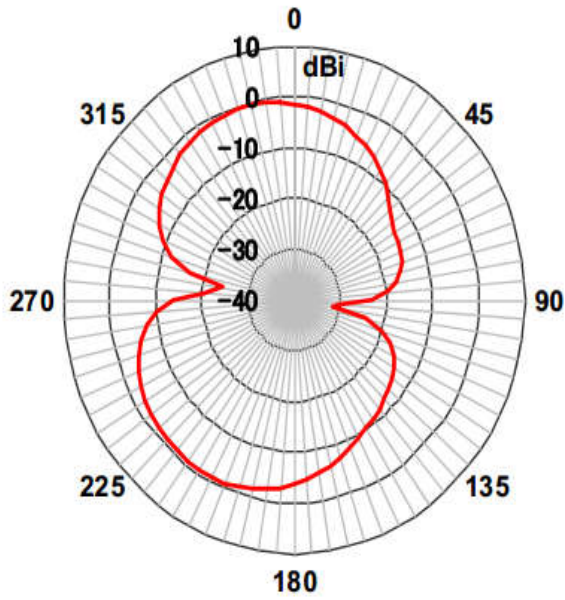
Material	FPC
Frequency range	2400MHz~2500MHz
Ant. Port Inupt Pwr	20dBm
Gain(3-CHANNEL)	L: -0.42 dBi
	M: -0.38 dBi
	H: -0.55 dBi
Efficiency(MAX)	44.7%

2) Construct Size:

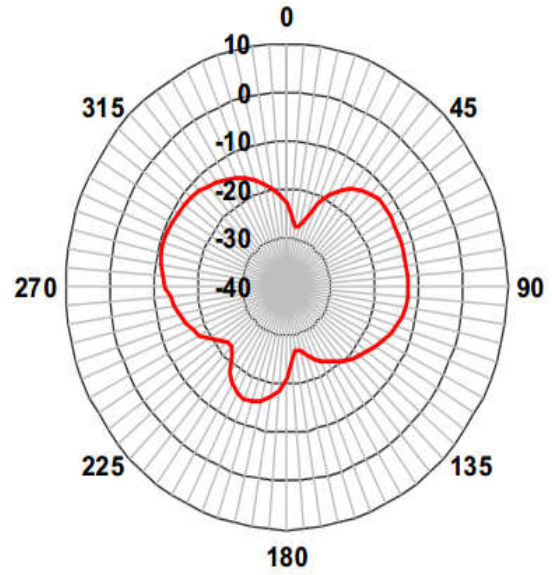


3) Radiation Gain:

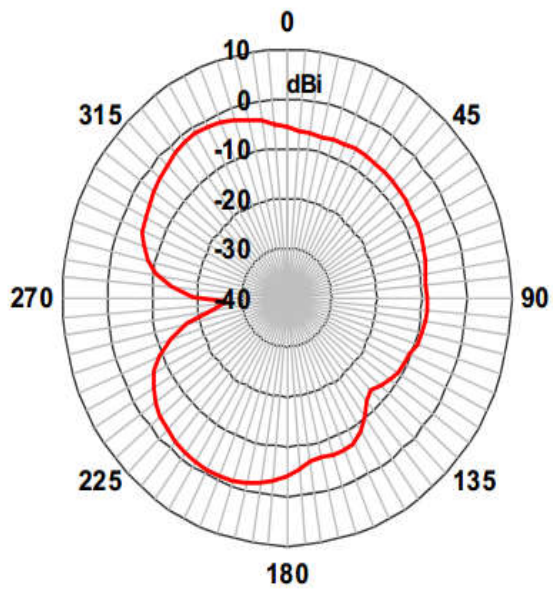
XY-Plane



ZX-Plane



ZY-Plane



4) VSWR & EFFICIENCY:

VSWR&Efficiency

