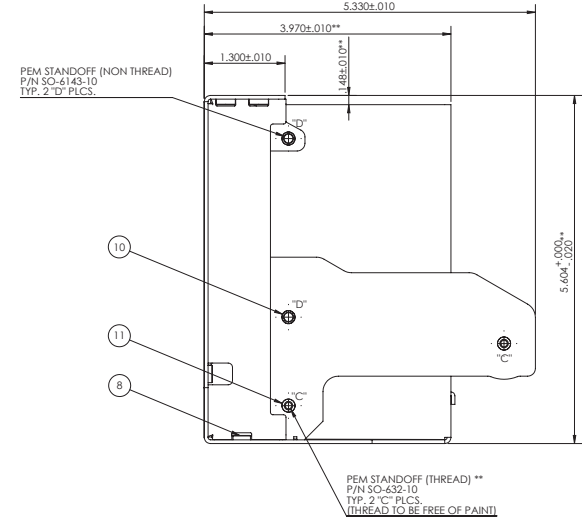
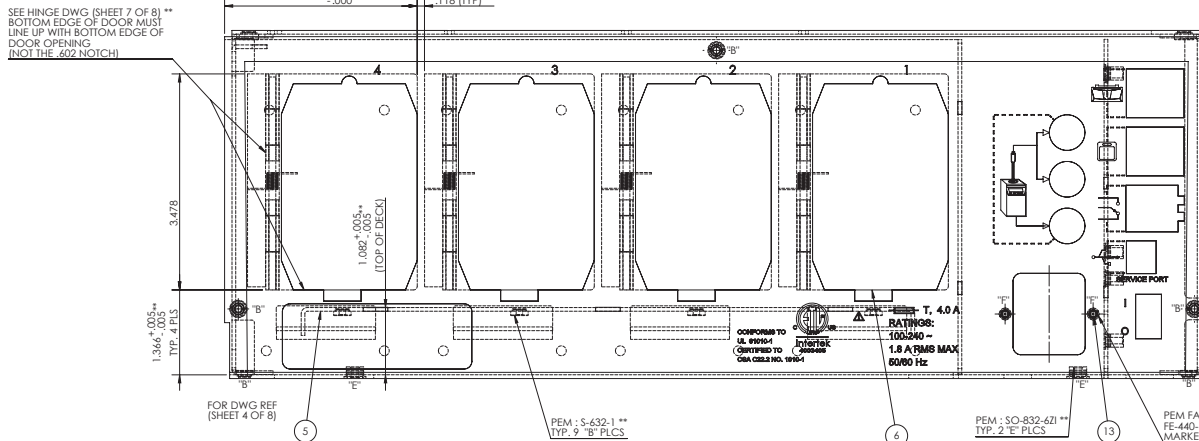
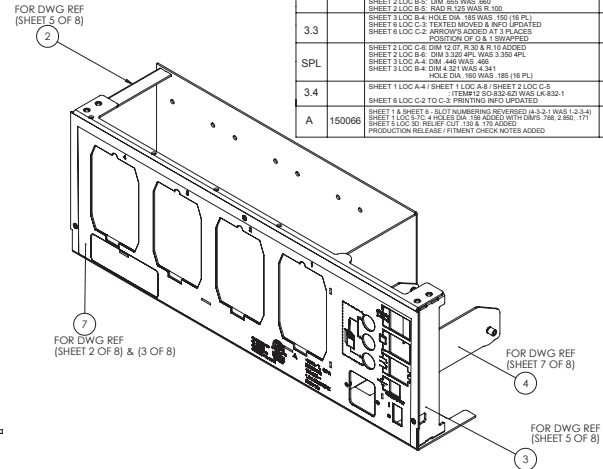
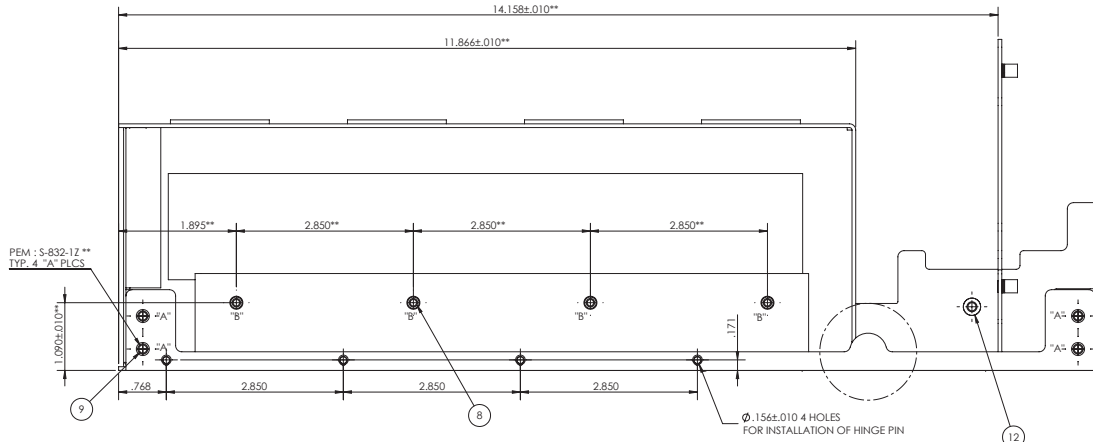


THIS DRAWING IS FOR REFERENCE AND INSPECTION PURPOSES ONLY.
PART GEOMETRY USED FOR FABRICATION TO BE TAKEN FROM
3D SOLID WORKS DATABASE

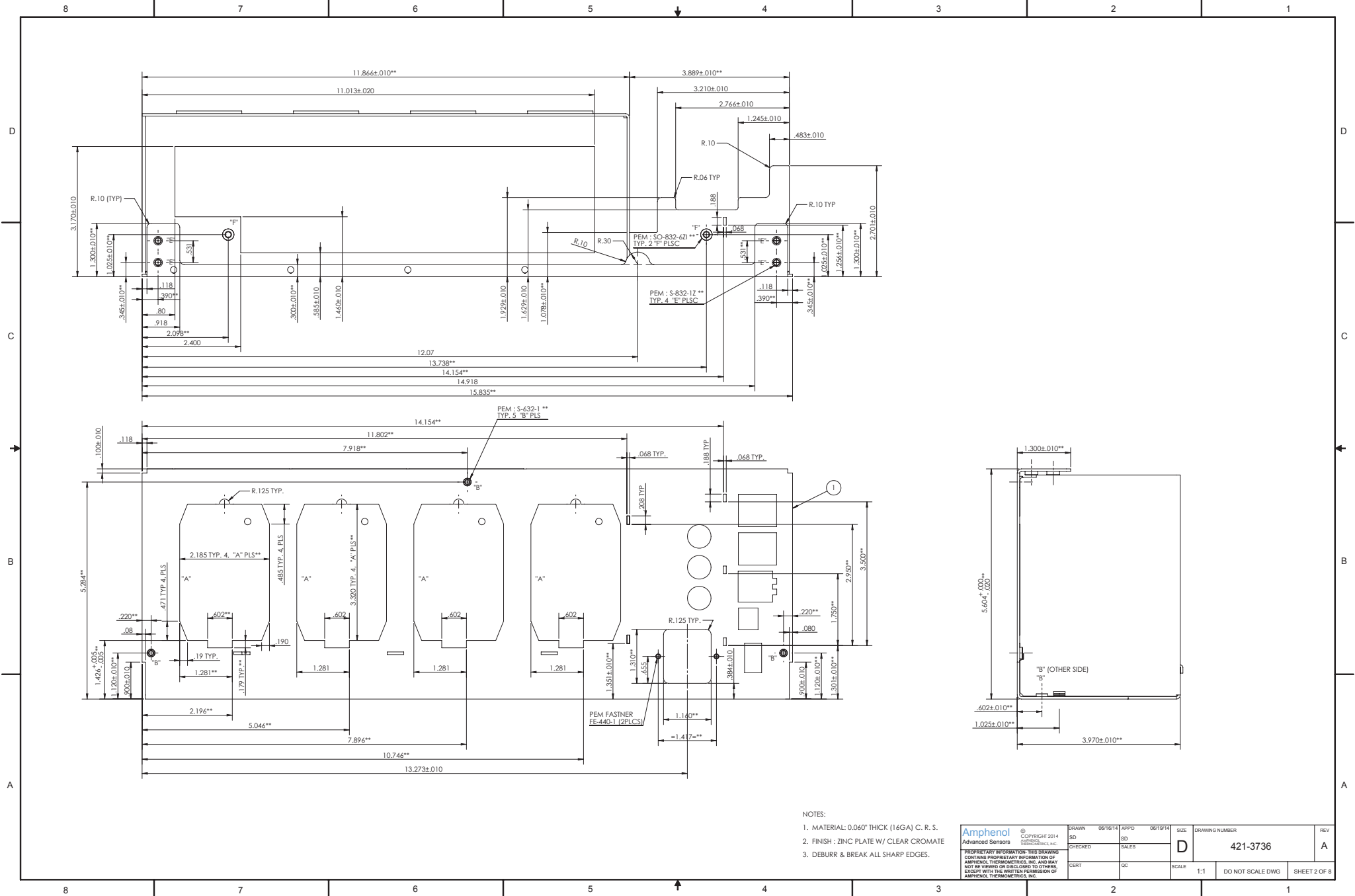
REVISIONS					
REV	ECD	DESCRIPTIONS	DWN	APVD	
3.1	-	ENGINEERING RELEASE	SD 06/16/14	SD 06/19/14	
3.2	-	SHEET 1 LOC B-7 DM 1.052+005 WAS 1.059+005 SHEET 2 LOC B-6 DM 1.310 WAS 1.300 SHEET 3 LOC B-5 DM 1.055 WAS 1.050 SHEET 4 LOC B-4 DM 1.055 WAS 1.050 SHEET 5 LOC B-3 DM 1.055 WAS 1.050 SHEET 6 LOC B-2 DM 1.055 WAS 1.050 SHEET 7 LOC B-1 DM 1.055 WAS 1.050	SD 06/19/14	SD 06/19/14	
3.3	-	SHEET 1 LOC B-4 DM 1.055 WAS 1.050 (REPL) SHEET 2 LOC B-3 DM 1.055 WAS 1.050 (REPL) SHEET 3 LOC B-2 DM 1.055 WAS 1.050 (REPL) SHEET 4 LOC B-1 DM 1.055 WAS 1.050 (REPL) SHEET 5 LOC C-3 TEXTED MOVED & INFO UPDATED SHEET 6 LOC C-2 APPROX ADDED AT 174.6565 POSITION OF O & 1 SWAPPED	SD 12/04/14	SD 12/05/14	
SPL	-	SHEET 1 LOC C-6 DM 1.220 WAS 1.220 (REPL) SHEET 2 LOC B-6 DM 1.320 APL WAS 3.350 APL SHEET 3 LOC B-4 DM 1.055 WAS 1.050 SHEET 4 LOC B-4 DM 1.055 WAS 1.050 SHEET 5 LOC B-4 DM 1.055 WAS 1.050 SHEET 6 LOC B-4 DM 1.055 WAS 1.050 SHEET 7 LOC B-4 DM 1.055 WAS 1.050 SHEET 8 LOC B-4 DM 1.055 WAS 1.050 SHEET 9 LOC B-4 DM 1.055 WAS 1.050 SHEET 10 LOC B-4 DM 1.055 WAS 1.050 SHEET 11 LOC B-4 DM 1.055 WAS 1.050 SHEET 12 LOC B-4 DM 1.055 WAS 1.050 SHEET 13 LOC B-4 DM 1.055 WAS 1.050 SHEET 14 LOC B-4 DM 1.055 WAS 1.050 SHEET 15 LOC B-4 DM 1.055 WAS 1.050 SHEET 16 LOC B-4 DM 1.055 WAS 1.050 SHEET 17 LOC B-4 DM 1.055 WAS 1.050 SHEET 18 LOC B-4 DM 1.055 WAS 1.050 SHEET 19 LOC B-4 DM 1.055 WAS 1.050 SHEET 20 LOC B-4 DM 1.055 WAS 1.050 SHEET 21 LOC B-4 DM 1.055 WAS 1.050 SHEET 22 LOC B-4 DM 1.055 WAS 1.050 SHEET 23 LOC B-4 DM 1.055 WAS 1.050 SHEET 24 LOC B-4 DM 1.055 WAS 1.050 SHEET 25 LOC B-4 DM 1.055 WAS 1.050 SHEET 26 LOC B-4 DM 1.055 WAS 1.050 SHEET 27 LOC B-4 DM 1.055 WAS 1.050 SHEET 28 LOC B-4 DM 1.055 WAS 1.050 SHEET 29 LOC B-4 DM 1.055 WAS 1.050 SHEET 30 LOC B-4 DM 1.055 WAS 1.050 SHEET 31 LOC B-4 DM 1.055 WAS 1.050 SHEET 32 LOC B-4 DM 1.055 WAS 1.050 SHEET 33 LOC B-4 DM 1.055 WAS 1.050 SHEET 34 LOC B-4 DM 1.055 WAS 1.050 SHEET 35 LOC B-4 DM 1.055 WAS 1.050 SHEET 36 LOC B-4 DM 1.055 WAS 1.050 SHEET 37 LOC B-4 DM 1.055 WAS 1.050 SHEET 38 LOC B-4 DM 1.055 WAS 1.050 SHEET 39 LOC B-4 DM 1.055 WAS 1.050 SHEET 40 LOC B-4 DM 1.055 WAS 1.050 SHEET 41 LOC B-4 DM 1.055 WAS 1.050 SHEET 42 LOC B-4 DM 1.055 WAS 1.050 SHEET 43 LOC B-4 DM 1.055 WAS 1.050 SHEET 44 LOC B-4 DM 1.055 WAS 1.050 SHEET 45 LOC B-4 DM 1.055 WAS 1.050 SHEET 46 LOC B-4 DM 1.055 WAS 1.050 SHEET 47 LOC B-4 DM 1.055 WAS 1.050 SHEET 48 LOC B-4 DM 1.055 WAS 1.050 SHEET 49 LOC B-4 DM 1.055 WAS 1.050 SHEET 50 LOC B-4 DM 1.055 WAS 1.050 SHEET 51 LOC B-4 DM 1.055 WAS 1.050 SHEET 52 LOC B-4 DM 1.055 WAS 1.050 SHEET 53 LOC B-4 DM 1.055 WAS 1.050 SHEET 54 LOC B-4 DM 1.055 WAS 1.050 SHEET 55 LOC B-4 DM 1.055 WAS 1.050 SHEET 56 LOC B-4 DM 1.055 WAS 1.050 SHEET 57 LOC B-4 DM 1.055 WAS 1.050 SHEET 58 LOC B-4 DM 1.055 WAS 1.050 SHEET 59 LOC B-4 DM 1.055 WAS 1.050 SHEET 60 LOC B-4 DM 1.055 WAS 1.050 SHEET 61 LOC B-4 DM 1.055 WAS 1.050 SHEET 62 LOC B-4 DM 1.055 WAS 1.050 SHEET 63 LOC B-4 DM 1.055 WAS 1.050 SHEET 64 LOC B-4 DM 1.055 WAS 1.050 SHEET 65 LOC B-4 DM 1.055 WAS 1.050 SHEET 66 LOC B-4 DM 1.055 WAS 1.050 SHEET 67 LOC B-4 DM 1.055 WAS 1.050 SHEET 68 LOC B-4 DM 1.055 WAS 1.050 SHEET 69 LOC B-4 DM 1.055 WAS 1.050 SHEET 70 LOC B-4 DM 1.055 WAS 1.050 SHEET 71 LOC B-4 DM 1.055 WAS 1.050 SHEET 72 LOC B-4 DM 1.055 WAS 1.050 SHEET 73 LOC B-4 DM 1.055 WAS 1.050 SHEET 74 LOC B-4 DM 1.055 WAS 1.050 SHEET 75 LOC B-4 DM 1.055 WAS 1.050 SHEET 76 LOC B-4 DM 1.055 WAS 1.050 SHEET 77 LOC B-4 DM 1.055 WAS 1.050 SHEET 78 LOC B-4 DM 1.055 WAS 1.050 SHEET 79 LOC B-4 DM 1.055 WAS 1.050 SHEET 80 LOC B-4 DM 1.055 WAS 1.050 SHEET 81 LOC B-4 DM 1.055 WAS 1.050 SHEET 82 LOC B-4 DM 1.055 WAS 1.050 SHEET 83 LOC B-4 DM 1.055 WAS 1.050 SHEET 84 LOC B-4 DM 1.055 WAS 1.050 SHEET 85 LOC B-4 DM 1.055 WAS 1.050 SHEET 86 LOC B-4 DM 1.055 WAS 1.050 SHEET 87 LOC B-4 DM 1.055 WAS 1.050 SHEET 88 LOC B-4 DM 1.055 WAS 1.050 SHEET 89 LOC B-4 DM 1.055 WAS 1.050 SHEET 90 LOC B-4 DM 1.055 WAS 1.050 SHEET 91 LOC B-4 DM 1.055 WAS 1.050 SHEET 92 LOC B-4 DM 1.055 WAS 1.050 SHEET 93 LOC B-4 DM 1.055 WAS 1.050 SHEET 94 LOC B-4 DM 1.055 WAS 1.050 SHEET 95 LOC B-4 DM 1.055 WAS 1.050 SHEET 96 LOC B-4 DM 1.055 WAS 1.050 SHEET 97 LOC B-4 DM 1.055 WAS 1.050 SHEET 98 LOC B-4 DM 1.055 WAS 1.050 SHEET 99 LOC B-4 DM 1.055 WAS 1.050 SHEET 100 LOC B-4 DM 1.055 WAS 1.050	SD 01/05/15	SD 01/07/15	
3.4	-	SHEET 1 LOC A-7 / SHEET 1 LOC A-8 / SHEET 2 LOC C-5 SHEET 3 LOC C-2 TO C-3 PRINTING INFO UPDATED SHEET 4 LOC C-2 TO C-3 PRINTING INFO UPDATED SHEET 5 LOC C-2 TO C-3 PRINTING INFO UPDATED SHEET 6 LOC C-2 TO C-3 PRINTING INFO UPDATED SHEET 7 LOC C-2 TO C-3 PRINTING INFO UPDATED SHEET 8 LOC C-2 TO C-3 PRINTING INFO UPDATED SHEET 9 LOC C-2 TO C-3 PRINTING INFO UPDATED SHEET 10 LOC C-2 TO C-3 PRINTING INFO UPDATED SHEET 11 LOC C-2 TO C-3 PRINTING INFO UPDATED SHEET 12 LOC C-2 TO C-3 PRINTING INFO UPDATED SHEET 13 LOC C-2 TO C-3 PRINTING INFO UPDATED SHEET 14 LOC C-2 TO C-3 PRINTING INFO UPDATED SHEET 15 LOC C-2 TO C-3 PRINTING INFO UPDATED SHEET 16 LOC C-2 TO C-3 PRINTING INFO UPDATED SHEET 17 LOC C-2 TO C-3 PRINTING INFO UPDATED SHEET 18 LOC C-2 TO C-3 PRINTING INFO UPDATED SHEET 19 LOC C-2 TO C-3 PRINTING INFO UPDATED SHEET 20 LOC C-2 TO C-3 PRINTING INFO UPDATED SHEET 21 LOC C-2 TO C-3 PRINTING INFO UPDATED SHEET 22 LOC C-2 TO C-3 PRINTING INFO UPDATED SHEET 23 LOC C-2 TO C-3 PRINTING INFO UPDATED SHEET 24 LOC C-2 TO C-3 PRINTING INFO UPDATED SHEET 25 LOC C-2 TO C-3 PRINTING INFO UPDATED SHEET 26 LOC C-2 TO C-3 PRINTING INFO UPDATED SHEET 27 LOC C-2 TO C-3 PRINTING INFO UPDATED SHEET 28 LOC C-2 TO C-3 PRINTING INFO UPDATED SHEET 29 LOC C-2 TO C-3 PRINTING INFO UPDATED SHEET 30 LOC C-2 TO C-3 PRINTING INFO UPDATED SHEET 31 LOC C-2 TO C-3 PRINTING INFO UPDATED SHEET 32 LOC C-2 TO C-3 PRINTING INFO UPDATED SHEET 33 LOC C-2 TO C-3 PRINTING INFO UPDATED SHEET 34 LOC C-2 TO C-3 PRINTING INFO UPDATED SHEET 35 LOC C-2 TO C-3 PRINTING INFO UPDATED SHEET 36 LOC C-2 TO C-3 PRINTING INFO UPDATED SHEET 37 LOC C-2 TO C-3 PRINTING INFO UPDATED SHEET 38 LOC C-2 TO C-3 PRINTING INFO UPDATED SHEET 39 LOC C-2 TO C-3 PRINTING INFO UPDATED SHEET 40 LOC C-2 TO C-3 PRINTING INFO UPDATED SHEET 41 LOC C-2 TO C-3 PRINTING INFO UPDATED SHEET 42 LOC C-2 TO C-3 PRINTING INFO UPDATED SHEET 43 LOC C-2 TO C-3 PRINTING INFO UPDATED SHEET 44 LOC C-2 TO C-3 PRINTING INFO UPDATED SHEET 45 LOC C-2 TO C-3 PRINTING INFO UPDATED SHEET 46 LOC C-2 TO C-3 PRINTING INFO UPDATED SHEET 47 LOC C-2 TO C-3 PRINTING INFO UPDATED SHEET 48 LOC C-2 TO C-3 PRINTING INFO UPDATED SHEET 49 LOC C-2 TO C-3 PRINTING INFO UPDATED SHEET 50 LOC C-2 TO C-3 PRINTING INFO UPDATED SHEET 51 LOC C-2 TO C-3 PRINTING INFO UPDATED SHEET 52 LOC C-2 TO C-3 PRINTING INFO UPDATED SHEET 53 LOC C-2 TO C-3 PRINTING INFO UPDATED SHEET 54 LOC C-2 TO C-3 PRINTING INFO UPDATED SHEET 55 LOC C-2 TO C-3 PRINTING INFO UPDATED SHEET 56 LOC C-2 TO C-3 PRINTING INFO UPDATED SHEET 57 LOC C-2 TO C-3 PRINTING INFO UPDATED SHEET 58 LOC C-2 TO C-3 PRINTING INFO UPDATED SHEET 59 LOC C-2 TO C-3 PRINTING INFO UPDATED SHEET 60 LOC C-2 TO C-3 PRINTING INFO UPDATED SHEET 61 LOC C-2 TO C-3 PRINTING INFO UPDATED SHEET 62 LOC C-2 TO C-3 PRINTING INFO UPDATED SHEET 63 LOC C-2 TO C-3 PRINTING INFO UPDATED SHEET 64 LOC C-2 TO C-3 PRINTING INFO UPDATED SHEET 65 LOC C-2 TO C-3 PRINTING INFO UPDATED SHEET 66 LOC C-2 TO C-3 PRINTING INFO UPDATED SHEET 67 LOC C-2 TO C-3 PRINTING INFO UPDATED SHEET 68 LOC C-2 TO C-3 PRINTING INFO UPDATED SHEET 69 LOC C-2 TO C-3 PRINTING INFO UPDATED SHEET 70 LOC C-2 TO C-3 PRINTING INFO UPDATED SHEET 71 LOC C-2 TO C-3 PRINTING INFO UPDATED SHEET 72 LOC C-2 TO C-3 PRINTING INFO UPDATED SHEET 73 LOC C-2 TO C-3 PRINTING INFO UPDATED SHEET 74 LOC C-2 TO C-3 PRINTING INFO UPDATED SHEET 75 LOC C-2 TO C-3 PRINTING INFO UPDATED SHEET 76 LOC C-2 TO C-3 PRINTING INFO UPDATED SHEET 77 LOC C-2 TO C-3 PRINTING INFO UPDATED SHEET 78 LOC C-2 TO C-3 PRINTING INFO UPDATED SHEET 79 LOC C-2 TO C-3 PRINTING INFO UPDATED SHEET 80 LOC C-2 TO C-3 PRINTING INFO UPDATED SHEET 81 LOC C-2 TO C-3 PRINTING INFO UPDATED SHEET 82 LOC C-2 TO C-3 PRINTING INFO UPDATED SHEET 83 LOC C-2 TO C-3 PRINTING INFO UPDATED SHEET 84 LOC C-2 TO C-3 PRINTING INFO UPDATED SHEET 85 LOC C-2 TO C-3 PRINTING INFO UPDATED SHEET 86 LOC C-2 TO C-3 PRINTING INFO UPDATED SHEET 87 LOC C-2 TO C-3 PRINTING INFO UPDATED SHEET 88 LOC C-2 TO C-3 PRINTING INFO UPDATED SHEET 89 LOC C-2 TO C-3 PRINTING INFO UPDATED SHEET 90 LOC C-2 TO C-3 PRINTING INFO UPDATED SHEET 91 LOC C-2 TO C-3 PRINTING INFO UPDATED SHEET 92 LOC C-2 TO C-3 PRINTING INFO UPDATED SHEET 93 LOC C-2 TO C-3 PRINTING INFO UPDATED SHEET 94 LOC C-2 TO C-3 PRINTING INFO UPDATED SHEET 95 LOC C-2 TO C-3 PRINTING INFO UPDATED SHEET 96 LOC C-2 TO C-3 PRINTING INFO UPDATED SHEET 97 LOC C-2 TO C-3 PRINTING INFO UPDATED SHEET 98 LOC C-2 TO C-3 PRINTING INFO UPDATED SHEET 99 LOC C-2 TO C-3 PRINTING INFO UPDATED SHEET 100 LOC C-2 TO C-3 PRINTING INFO UPDATED	SD 03/05/15	SD 03/05/15	
A	150066	SHEET 8 SHEETS 9-100 NUMBERING REVISOR: JLS-11/04/14 (J.S.H) SHEET 1 LOC C-7 & HOLE DIA. 1.50 ADDED WITH DIM'S 76A 2.80, 171 SHEET 1 LOC B-5 HOLE DIA. 1.50 & 170 ADDED PRODUCTION RELEASE / FITMENT CHECK NOTES ADDED	SD 06/16/15	SD 06/16/15	



- NOTES:
1. MATERIAL: 0.060" THICK (16GA) C. R. S.
 2. FINISH: ZINC PLATE W/ CLEAR CHROME
 3. FINISH: PAINT / POWDER COAT WITH FINE TEXTURE
COLOR PANTONE COOL GRAY 1 U (MATT). AS PER SUPPLIED PAINT CHIP.
 3. DEBURR & BREAK ALL SHARP EDGES.
 4. ALL MATERIALS MUST BE RoHS & REACH COMPLIANT
 5. CTQ DIMENSIONS MARKED AS ***
 8. VERIFY FITMENT WITH ITEM 421-3746
 9. CHECK FOR FREE MOVEMENT OF DOOR UP TO 180 DEG
 10. BOTTOM EDGE OF EACH DOOR MUST LINE UP WITH BOTTOM EDGE OF DOOR OPENING, NO OVERLAP ALLOWED
 11. VERIFY FITMENT WITH SIM BOX / DOVETAIL GUIDE / MUX PCB SUPPLIED TO ENSURE PROPER ALIGNMENT OF HOLES

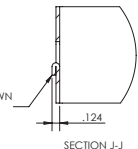
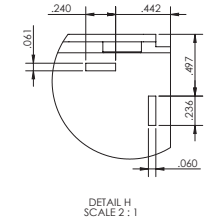
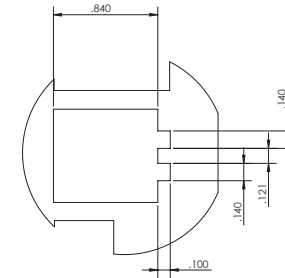
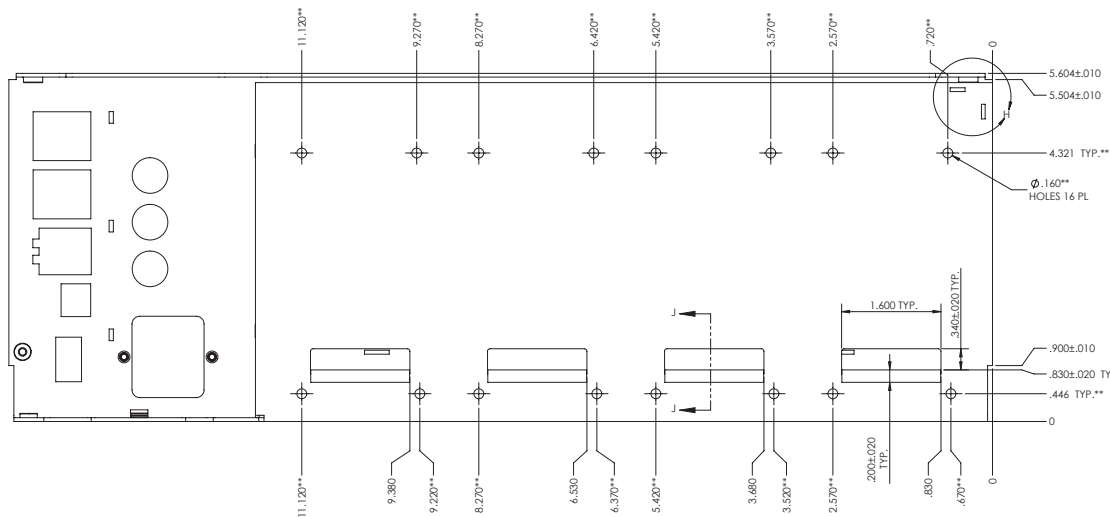
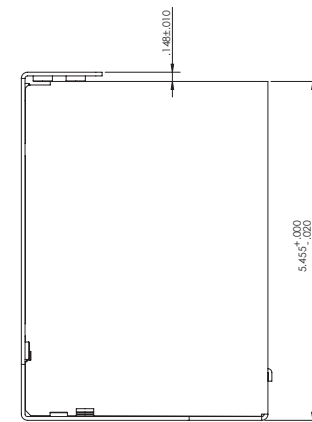
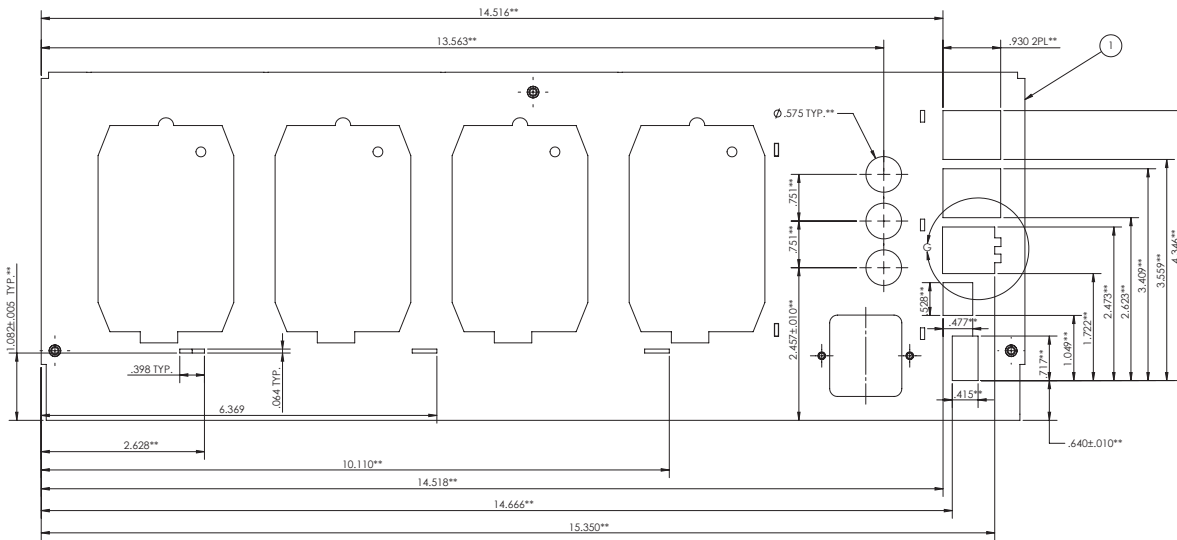
ITEM NO.	PART NUMBER	DESCRIPTION	Default QTY
1	421-3736_A	SIM FRAME	1
2	421-3736_C	VERTICAL SUPPORT RH	1
3	421-3736_D	VERTICAL SUPPORT RH	1
4	421-3736_F	PCB MOUNTING PLATE	1
5	421-3736_G	SIM SUPPORT PLATE	1
6	421-3736_H	SIM FRAME DOOR	4
7	421-3736_I	SILK SCREEN	1
8	SP-632-1	PEM: S-632-1 OR SP-632-1	9
9	S-832-1Z	PEM: S-832-1Z	4
10	SO-6143-10Z1	PEM: SO-6143-10Z1	2
11	SO-632-10Z1	PEM: SO-632-10Z1	2
12	SO-832-6Z1	PEM: SO-832-6Z1	2
13	FE-440MD	PEM: FE-440MD	2

UNLESS OTHERWISE SPECIFIED DIMENSIONS ARE IN INCHES TOLERANCES ARE		THIRD ANGLE PROJECTION		Amphenol Thermometrics, Inc. 967 Windfall Rd. St. Marys, PA 15857 USA	
FRACTIONS ± 1/32"	DECIMALS ± 0.01	ANGLES ± 1°	DRAWN SD	DATE 06/16/14	TITLE SIM FRAME ASSY
SURFACE FINISH XXX ± 0.05		CHECKED SD	SALES	SIZE D	DRAWING NUMBER 421-3736
Amphenol Advanced Sensors		CERT SD	OC	REV A	REV A
PROPERTY INFORMATION: THIS DRAWING CONTAINS PROPRIETARY INFORMATION OF AMPHENOL THERMOMETRICS, INC. AND MAY NOT BE VIEWED OR DISCLOSED TO OTHERS EXCEPT WITH THE WRITTEN PERMISSION OF AMPHENOL THERMOMETRICS, INC.		RN 15009	GENERATED USING SOLIDWORKS	SCALE 1:1	DO NOT SCALE DWG
MODEL NO. AVS		SHEET 1 OF 8			



- NOTES:
1. MATERIAL: 0.060" THICK (16GA) C. R. S.
 2. FINISH : ZINC PLATE W/ CLEAR CROMATE
 3. DEBURR & BREAK ALL SHARP EDGES.

Amphenol Advanced Sensors <small>© COPYRIGHT 2014 AMPHENOL THERMOMETRICS INC.</small>	<small>DRWN</small> SD	<small>APPD</small> SD	<small>DATE</small> 06/16/14	<small>DATE</small> 05/19/14	<small>SIZE</small> D	<small>DRAWING NUMBER</small> 421-3736	<small>REV</small> A
	<small>CHECKED</small>	<small>SALES</small>					
	<small>CERT</small>	<small>QC</small>	<small>SCALE</small> 1:1	<small>DO NOT SCALE DWG</small>	<small>SHEET 2 OF 8</small>		
	<small>PROPRIETARY INFORMATION - THIS DRAWING CONTAINS PROPRIETARY INFORMATION OF AMPHENOL THERMOMETRICS INC. AND IS NOT TO BE VIEWED OR DISCLOSED TO OTHERS WITHOUT THE WRITTEN PERMISSION OF AMPHENOL THERMOMETRICS INC.</small>						



- NOTES:
1. MATERIAL: 0.060" THICK (16GA) C. R. S.
 2. FINISH : ZINC PLATE W/ CLEAR CROMATE
 3. DEBURR & BREAK ALL SHARP EDGES.

Amphenol Advanced Sensors <small>© COPYRIGHT 2014 AMPHENOL THERMOMETRICS, INC.</small>	DRAWN: 06/16/14 SD: [blank] CHECKED: SALES CERT: [blank]	APPD: 06/15/14 SD: [blank] DC: [blank]	SIZE: D DRAWING NUMBER: 421-3736	REV: A
	SCALE: 1:1		DO NOT SCALE DWG	SHEET 3 OF 8
	<small>PROPRIETARY INFORMATION - THIS DRAWING CONTAINS PROPRIETARY INFORMATION OF AMPHENOL THERMOMETRICS, INC. AND MAY NOT BE VIEWED OR DISCLOSED TO OTHERS. EXCEPT WITH THE WRITTEN PERMISSION OF AMPHENOL THERMOMETRICS, INC.</small>			
	SHEET 3 OF 8			

4

3

2

1

D

D

C

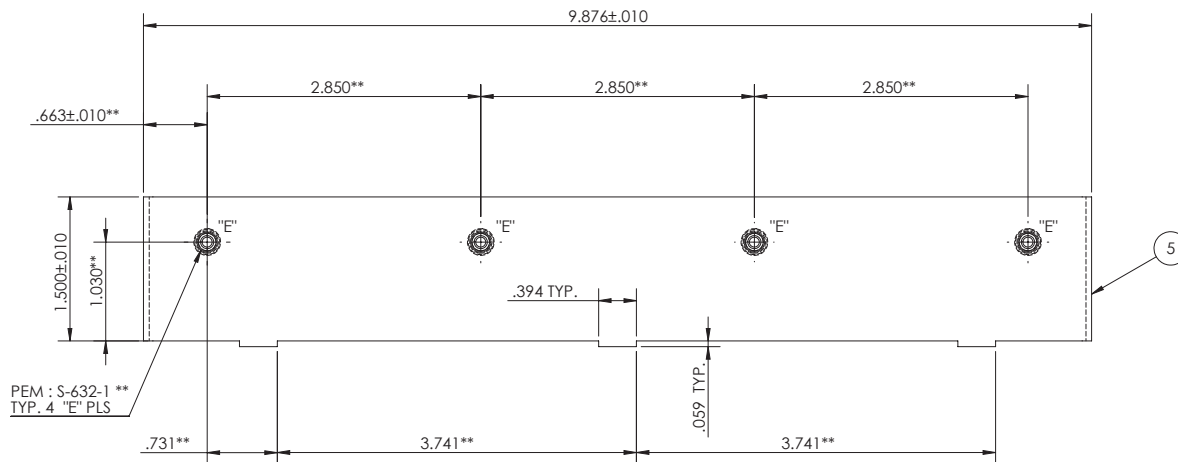
C

B

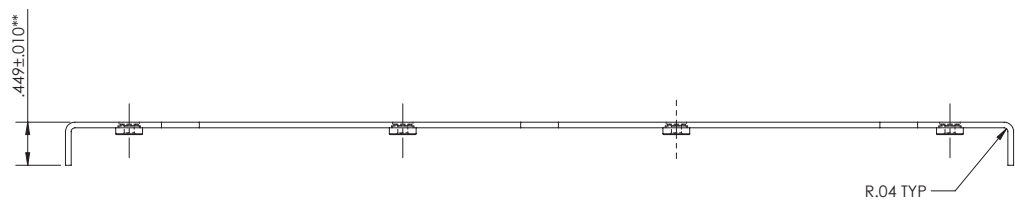
B

A

A



PEN : S-632-1 **
 TYP. 4 "E" PLS



NOTES:

1. MATERIAL: 0.060" THICK (16GA) C. R. S.
2. FINISH : ZINC PLATE W/ CLEAR CROMATE
3. DEBURR & BREAK ALL SHARP EDGES.

Amphenol Advanced Sensors <small>© COPYRIGHT 2014 AMPHENOL THERMOMETRICS, INC.</small>	DRAWN 06/16/14 SD	APPRD 06/19/14 SD	SIZE C	DRAWING NUMBER 421-3736	REV A
	CHECKED	SALES	SCALE 1:1	DO NOT SCALE DWG	SHEET 4 OF 8
<small>PROPRIETARY INFORMATION- THIS DRAWING CONTAINS PROPRIETARY INFORMATION OF AMPHENOL THERMOMETRICS, INC. AND MAY NOT BE VIEWED OR DISCLOSED TO OTHERS, EXCEPT WITH THE WRITTEN PERMISSION OF AMPHENOL THERMOMETRICS, INC.</small>		CERT	QC		

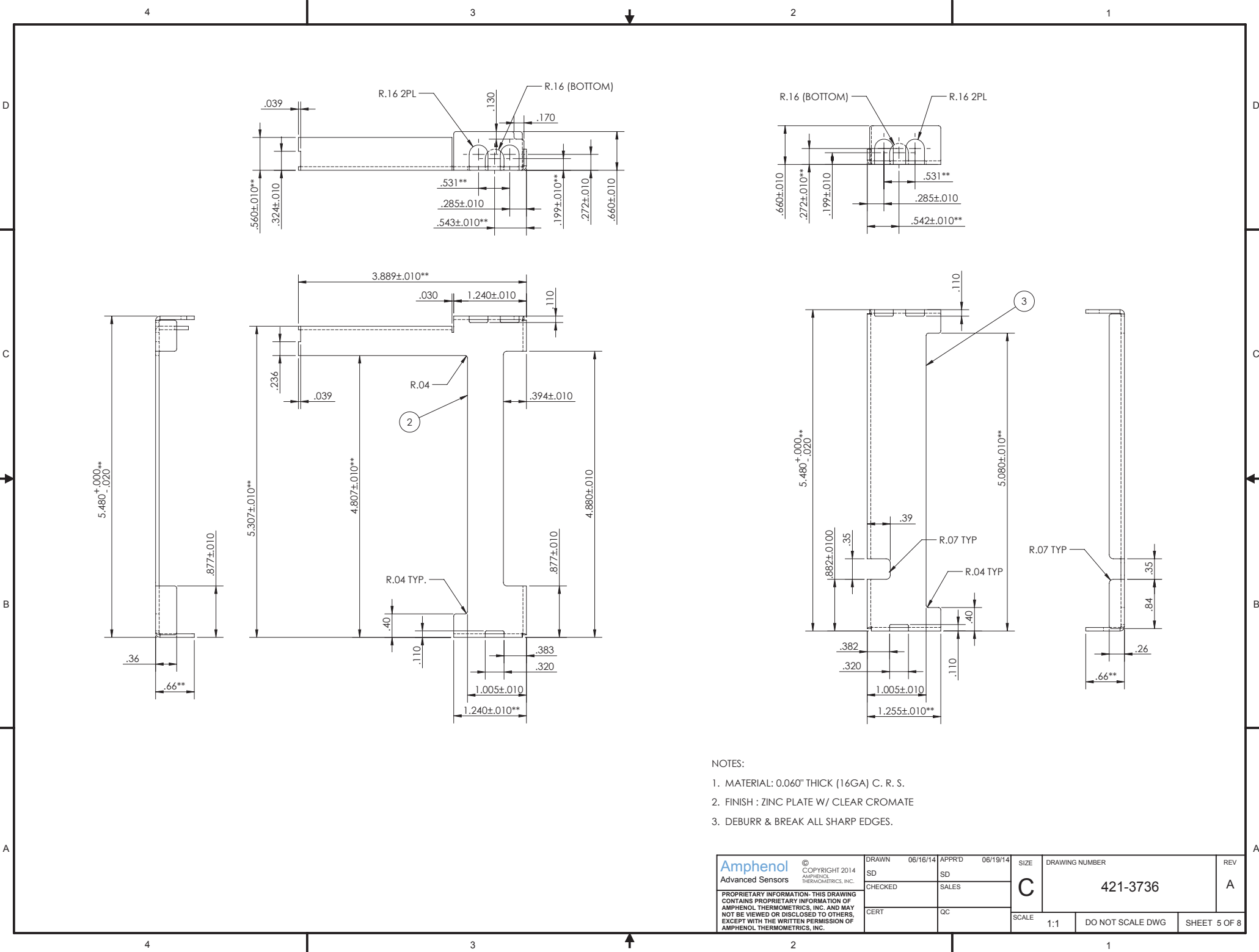
4

3

2

1

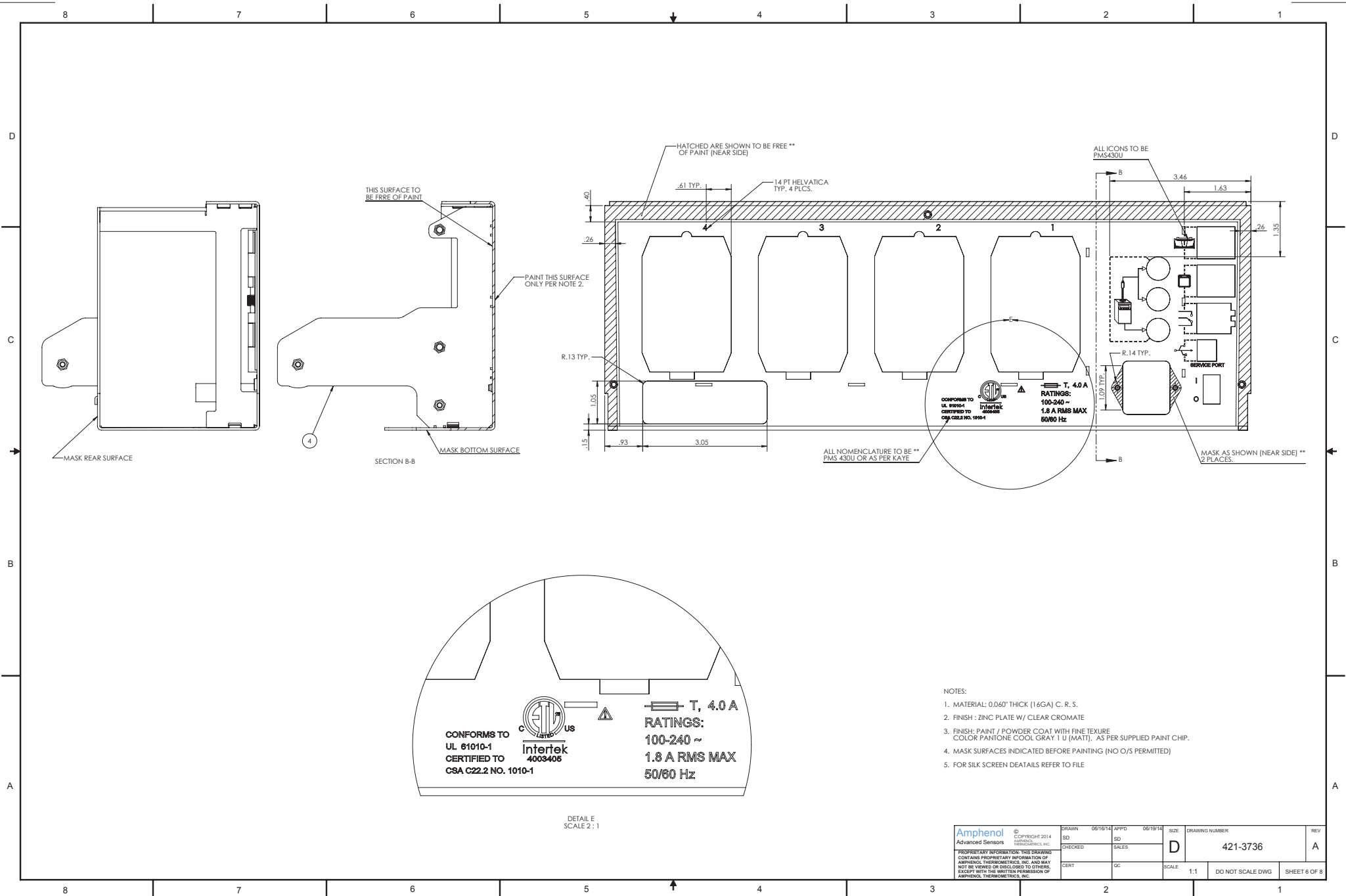




NOTES:

1. MATERIAL: 0.060" THICK (16GA) C. R. S.
2. FINISH : ZINC PLATE W/ CLEAR CROMATE
3. DEBURR & BREAK ALL SHARP EDGES.

Amphenol Advanced Sensors <small>© COPYRIGHT 2014 AMPHENOL THERMOMETRICS, INC.</small>	DRAWN SD	06/16/14	APPRD SD	06/19/14	SIZE C	DRAWING NUMBER 421-3736	REV A
	CHECKED	SALES	SCALE 1:1		DO NOT SCALE DWG	SHEET 5 OF 8	



HATCHED ARE SHOWN TO BE FREE ** OF PAINT (NEAR SIDE)

.61 TYP. 14 PT HELVETICA TYP. 4 PLCS.

ALL ICONS TO BE PMS430U

THIS SURFACE TO BE FREE OF PAINT

PAINT THIS SURFACE ONLY PER NOTE 2.

R.13 TYP.

4

SECTION B-B

MASK BOTTOM SURFACE

MASK REAR SURFACE

ALL NOMENCLATURE TO BE ** PMS 430U OR AS PER KAYE

MASK AS SHOWN (NEAR SIDE) ** 2 PLACES.

CONFORMS TO UL 9900-1 CERTIFIED TO CSA C22.2 NO. 1004



RATINGS: T, 4.0 A 100-240 ~ 1.8 A RMS MAX 50/60 Hz.

CONFORMS TO UL 61010-1 CERTIFIED TO CSA C22.2 NO. 1010-1



RATINGS: T, 4.0 A 100-240 ~ 1.8 A RMS MAX 50/60 Hz.

DETAIL E SCALE 2:1

NOTES:

1. MATERIAL: 0.060" THICK (16GA) C. R. S.
2. FINISH : ZINC PLATE W/ CLEAR CHROMATE
3. FINISH: PAINT / POWDER COAT WITH FINE TEXTURE COLOR PANTONE COOL GRAY 1 U (MATT). AS PER SUPPLIED PAINT CHIP.
4. MASK SURFACES INDICATED BEFORE PAINTING (NO O/S PERMITTED)
5. FOR SILK SCREEN DETAILS REFER TO FILE

Amphenol Advanced Sensors <small>© COPYRIGHT 2014 AMPHENOL THERMOMETRICS, INC.</small>	DRAWN: SD CHECKED:	06/16/14 APPD: SD 06/18/14 SALES:	SIZE: D SCALE: 1:1	DRAWING NUMBER: 421-3736 DO NOT SCALE DWG.	REV: A SHEET 6 OF 6
	CERT: DC				
	<small>PROPRIETARY INFORMATION - THE DRAWING CONTAINS PROPRIETARY INFORMATION OF AMPHENOL THERMOMETRICS, INC. AND MAY NOT BE VIEWED OR DISCLOSED TO OTHERS, EXCEPT WITH THE WRITTEN PERMISSION OF AMPHENOL THERMOMETRICS, INC.</small>				

4

3

2

1

D

D

C

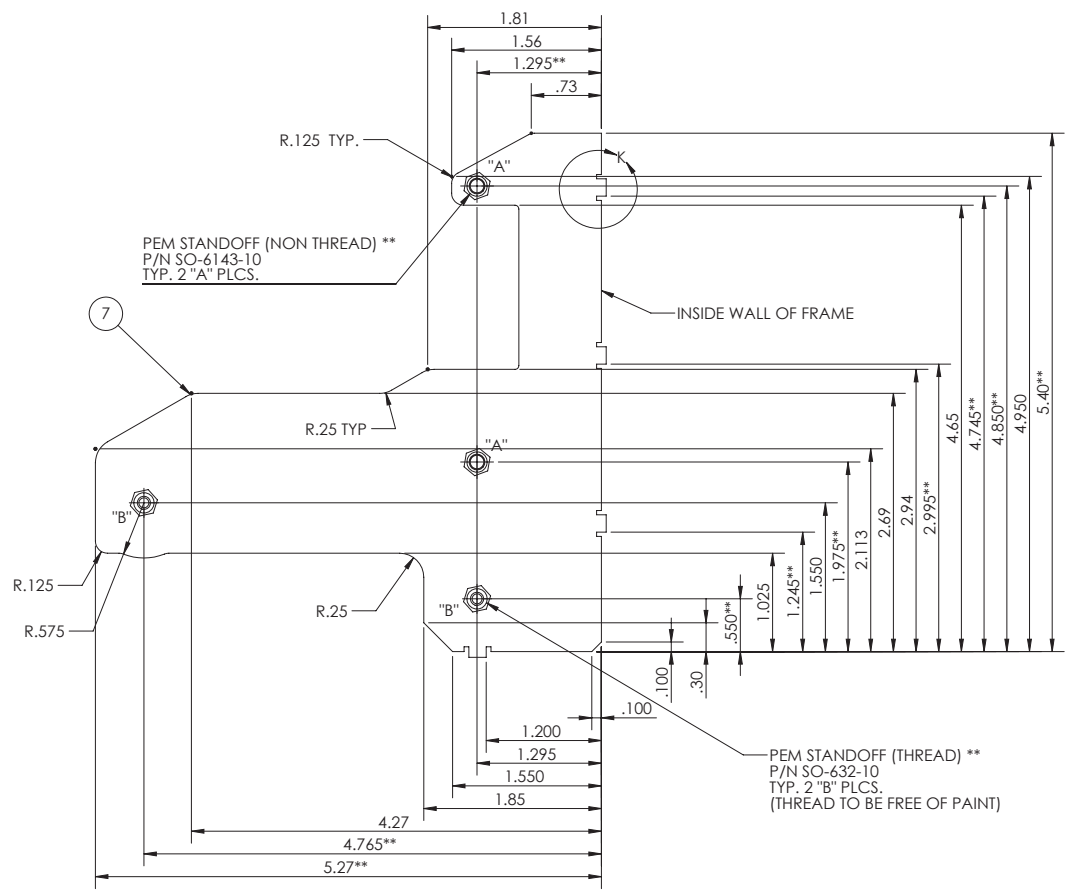
C

B

B

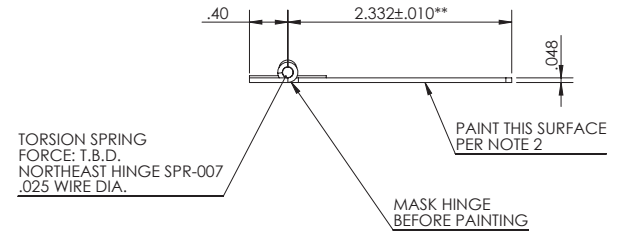
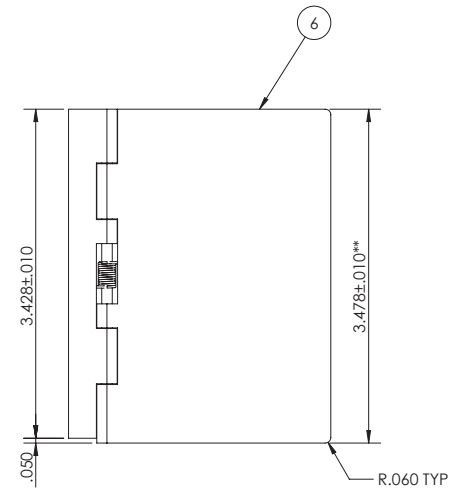
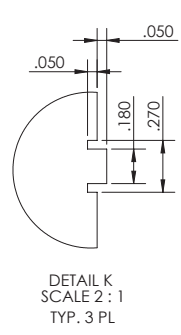
A

A



I/O PANEL

- NOTES:
1. MATERIAL: 0.060" THICK (16GA) C. R. S.
 2. FINISH : ZINC PLATE W/ CLEAR CROMATE
 3. DEBURR & BREAK ALL SHARP EDGES.



DOOR W/ HINGE

- NOTES:
1. MATERIAL: 0.0480" THICK (18GA) C. R. S.
 2. FINISH : ZINC PLATE W/ CLEAR CROMATE
 3. FINISH: PAINT / POWDER COAT WITH FINE TEXTURE COLOR PANTONE COOL GRAY 1 U (MATT), AS PER SUPPLIED PAINT CHIP.
 4. NO OVERSPRAY ALLOWED ON PARTS UNLESS INDICATED.
 5. DOORS MUST NOT BIND WHEN WELDED TO FRAME.

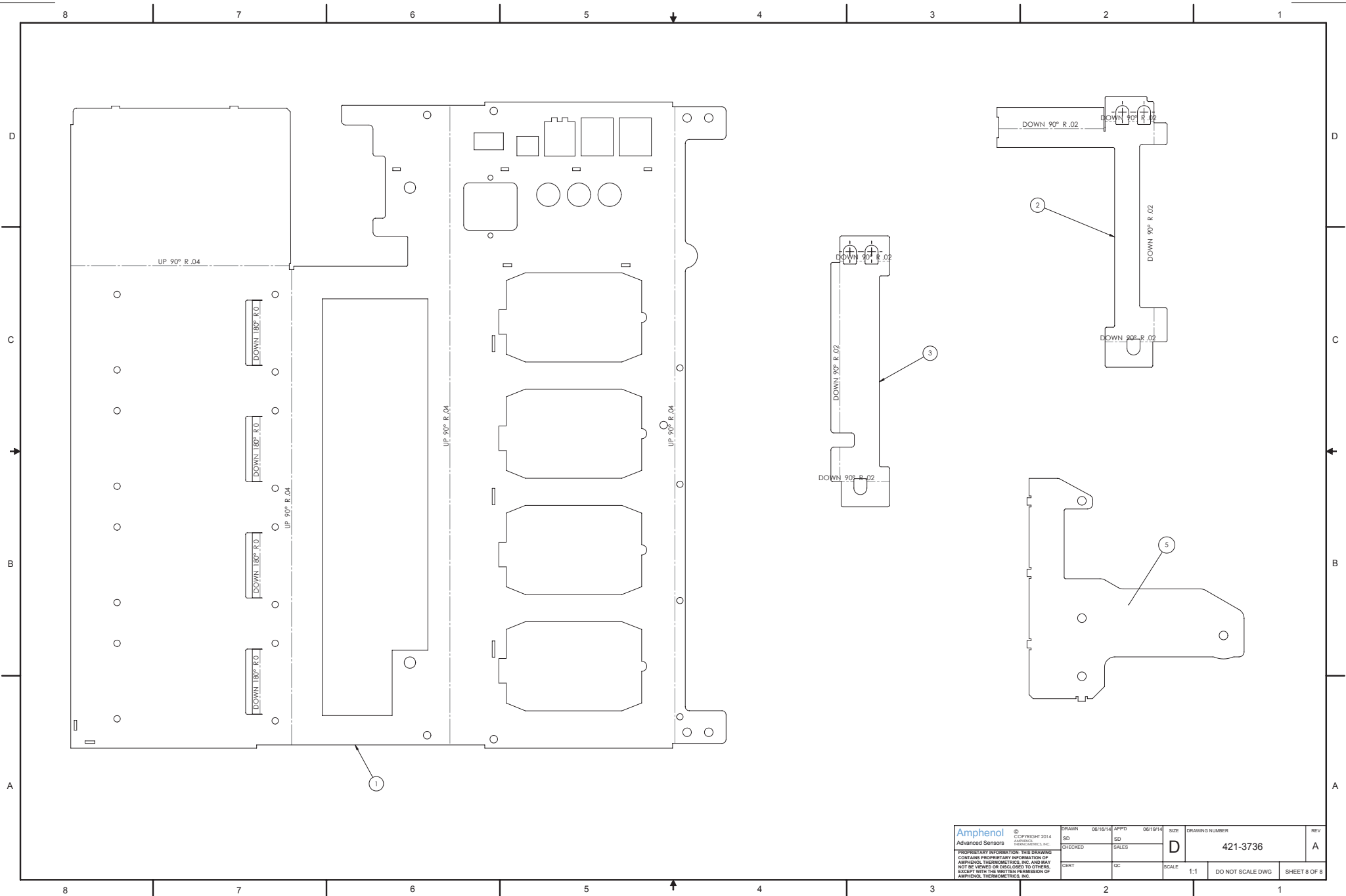
Amphenol Advanced Sensors <small>© COPYRIGHT 2014 AMPHENOL THERMOMETRICS, INC.</small>	DRAWN 06/16/14 SD	APPRD 06/19/14 SD	SIZE C	DRAWING NUMBER 421-3736	REV A
	CHECKED SALES	QC QC	SCALE 1:1	DO NOT SCALE DWG	SHEET 7 OF 8

4

3

2

1



Amphenol Advanced Sensors <small>© COPYRIGHT 2014 AMPHENOL THERMOMETRICS, INC.</small> <small>PROPRIETARY INFORMATION - THIS DRAWING CONTAINS PROPRIETARY INFORMATION OF AMPHENOL THERMOMETRICS, INC. AND MAY NOT BE VIEWED OR DISCLOSED TO OTHERS, EXCEPT WITH THE WRITTEN PERMISSION OF AMPHENOL THERMOMETRICS, INC.</small>	DRAWN	06/16/14	APPD	06/19/14	SIZE	DRAWING NUMBER		REV
	SD		SD		D	421-3736		A
	CHECKED		SALES		SCALE	1:1	DO NOT SCALE DWG	SHEET 8 OF 8
	CERT		QC					