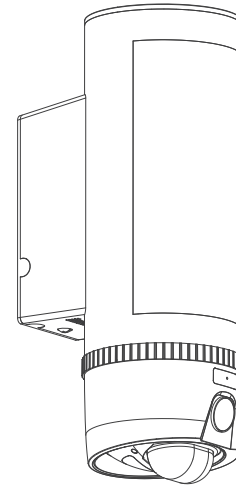




# L900/L910 EYES-LIGHT CAM

Installation Guide V1.0



Please follow the link: [www.freecamglobal.com](http://www.freecamglobal.com)  
for more FAQ(Frequently Asked Questions) solutions

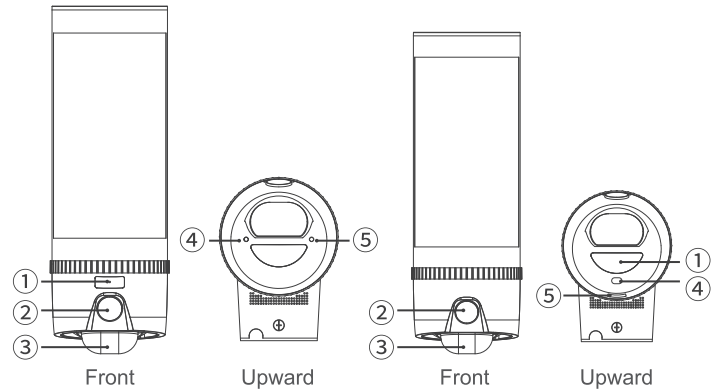


Shenzhen Leshi Video Technology Co., Ltd.  
[www.freecamglobal.com](http://www.freecamglobal.com)

The L900/L910 AI Eyes-light cam enables you to combine reliable property surveillance with atmospheric exterior lighting by WiFi connection— a brilliant example of increased safety for your home.

- Reduction of false alert by a built-in AI person recognition camera.
- Sensing zone can be set up on your APP for lighting activate, combines lighting and outdoor surveillance.
- HD1080P, 2MP high resolution video quality.
- Support AMAZON cloud storage and external TF card storage.

## 1 Appearance Diagram



**L900**

**L910**

①	Mic	④	WiFi reset key
②	Lens	⑤	Indicator light
③	PIR Infrared body sensor		

## 2 Indicator Light Status

Indicator Light Status	Status statement
Pink light on	Power up processing. It goes off when WiFi connection completed.
Blue light blinks	1. Blue light slow blinks (1s/time): Local internet connection proceeding. 2. Blue light quick blinks(0.25s/time): Cloud server connection proceeding and waiting for configuration.
Blue light on	Server connection succeeded
Red light blinks	Red light slow blinks (1s/time): Waiting for WiFi configuration
Red and blue light blinks alternately	2 lights blink alternately (1s/time): Device upgrading. Please stay connecting with power.

## 3 Mounting Position and Protection Zone

### 3.1 Check Wi-Fi availability



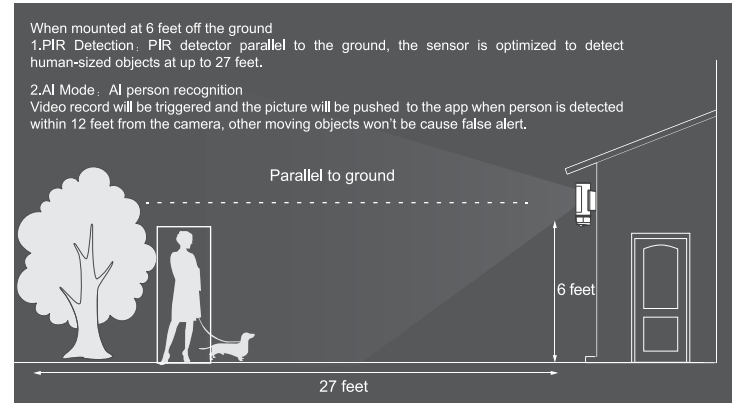
The Eyes-light cam needs a stable and sufficiently strong WiFi connection.




Please choose the location where you would like to position your Eyes-light cam and check the strength of the WiFi signal using your smart phone.

The table above indicates if the WiFi connection strength is sufficient for use in combination with the Eyes-light cam

### 3.2 Ideal installation height and detection range



## 4 Installation Illustration



The L900/L910 EYES-LIGHT CAM needs 100-240 VAC power supply (with live, neutral and ground connections).



**Before you start the installation, please ensure the power is switched off at the main power switch.**

### 4.1 Safety instructions:

- Prior to installation or maintenance, the electricity supply must be turned off.
- Please use the supply leads that must be at least 22AWG pvc coated wire.
- Be sure to connect ground lead.

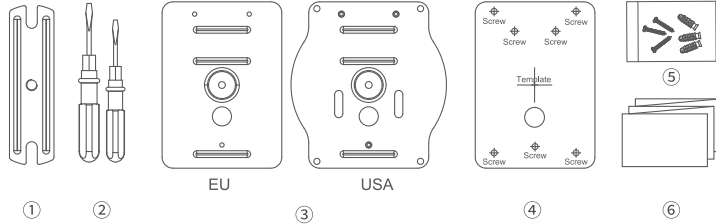
## 4.2 Installation notes:

- Height of installation from the ground is suggested around 6.5 feet (2 meters)
- Motion sensor (Factory settings ) has an horizontal range of 24 feet ( 8 meters). Default setting of sensibility as “Middle”
- Prior to installation, please check all the accessories provided.

## 4.3 NOTED

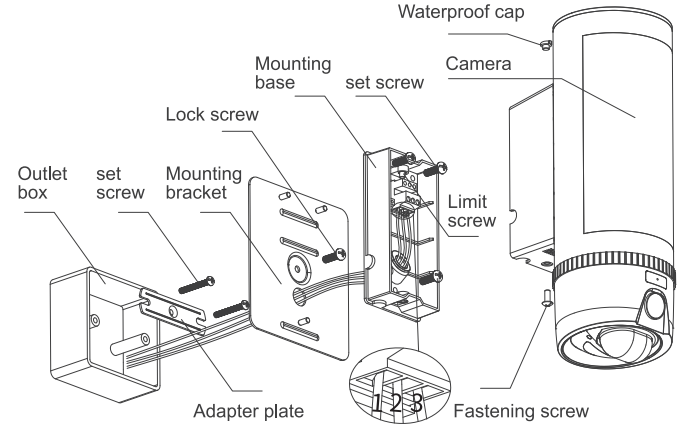
If you don’ t have related installation experience, you are highly recommended of hiring a licensed electrician to install the Eyes-light cam.

## 4.4 L900/L910 accessories and installation instruction



No.	Description	Quantity
①	Adapter plate	1
②	Screwdriver	2
③	Mounting bracket (EU/USA standard for option)	1
④	Mounting sticker	1
⑤	Mounting screws	1
⑥	Manuals	1

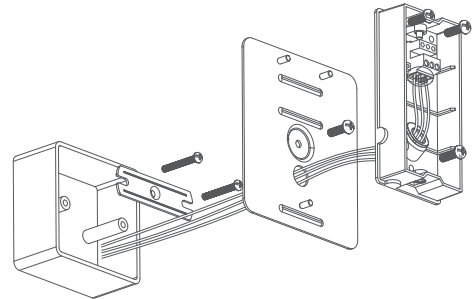
## L900/L910 Installation Instruction



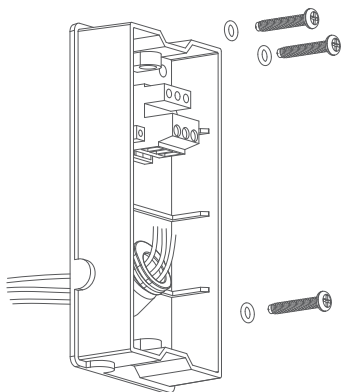
## 4.5 Installation instructions:

A.

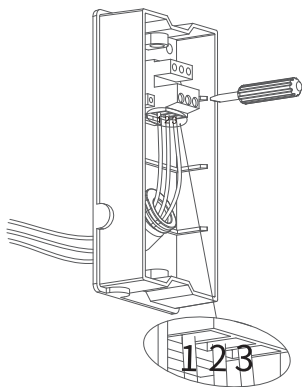
Installation 1: When install on an outlet box, you need to use the mounting bracket. Fix the adapter plate on the outlet box with 2 screws, screw the mounting bracket to the adapter plate.



B: Installation 2: If you don't install on an outlet box, the mounting bracket is unnecessary. The mounting base can be screwed direct to the wall by use of 3 expansion screws.

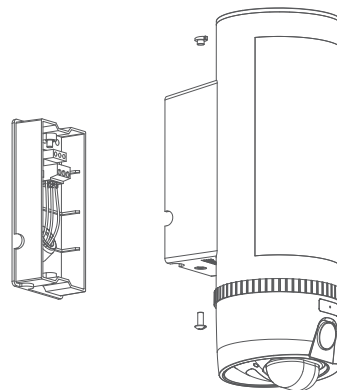


C: Make sure the existing wires come through the mounting bracket or the mounting base. Connect the Neutral wire (N), Ground wire (GN) and Live wire (L) one by one.

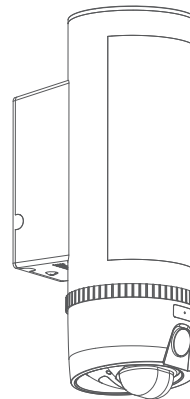


1. Neutral wire (N)
2. Ground wire (GN)
3. Live wire (L)

D. Insert the Eyes-light cam to the mounting base and tighten the fastening screws located on the top and the bottom of the bracket.



E. Restoring power, the red indicator light and blinks in 15 seconds—— Installation completed, enter WiFi configuration standby mode.  
( Please refer to the user manual for WiFi configuration)



**FCC Warning**

This device complies with Part 15 of the FCC Rules. Operation is subject to the following two conditions:

- (1) This device may not cause harmful interference.
- (2) this device must accept any interference received, including interference that may cause undesired operation.

This device must be installed to provide a separation distance of at least 20 cm from all persons and must not be collocated or operating in conjunction with any other antenna or transmitter.

NOTE 1: This equipment has been tested and found to comply with the limits for a Class B digital device, pursuant to part 15 of the FCC Rules. These limits are designed to provide reasonable protection against harmful interference in a residential installation. This equipment generates, uses and can radiate radio frequency energy and, if not installed and used in accordance with the instructions, may cause harmful interference to radio communications. However, there is no guarantee that interference will not occur in a particular installation. If this equipment does cause harmful interference to radio or television reception, which can be determined by turning the equipment off and on, the user is encouraged to try to correct the interference by one or more of the following measures:

- Reorient or relocate the receiving antenna.
- Increase the separation between the equipment and receiver.
- Connect the equipment into an outlet on a circuit different from that to which the receiver is connected.
- Consult the dealer or an experienced radio/TV technician for help.

NOTE 2: Any changes or modifications to this unit not expressly approved by the party responsible for compliance could void the user's authority to operate the equipment.