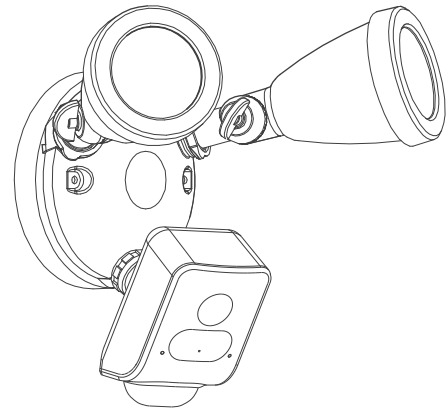




L800 AI Floodlight Cam

Installation Guide



Please follow the link: www.freecamglobal.com
for more FAQ(Frequently Asked Questions) solutions

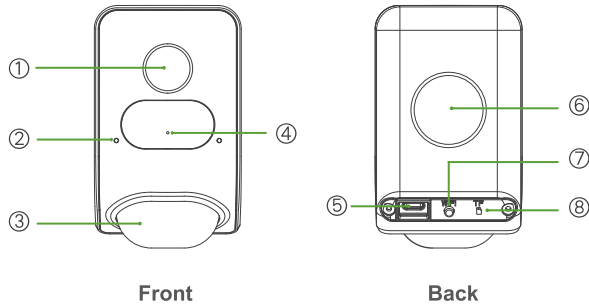


Shenzhen Leshi Video Technology Co., Ltd.
www.freecamglobal.com

L800 AI Floodlight Cam is an outdoor security camera in the integrated of surveillance and lighting with WiFi connection.

- Camera with built-in AI person recognition algorithm; reduction for reduction of false.
- Protection zone and lighting trigger can be set up on the APP.
- Combine with outdoor security and lighting.
- 1080p, 2MP full HD.
- Amazon cloud and TF card storage for option.
- DIY easy installation.

1 AI Floodlight Cam diagrammatic presentation



①	Lens	②	Indicator light
③	PIR infrared body sensor	④	Mic
⑤	Power port	⑥	Magnetism spot
⑦	Reset	⑧	TF card slot

2 Indicator Light Status

Indicator Light Status	Status statement
Red light is on	Processing of power plug in and red light is on then blinks, after 15 seconds to enter internet connecting status
Blue light blinks	1. Blue light blinks slowly (1s/time): Connecting to the local internet. 2. Blue light blinks quickly (0.25s/time): Connecting to the cloud server and waiting for configuration.
Blue light is on	Server connection succeeded
Red light blinks	Red light blinks slowly(1s/time): WiFi configuration standby
Red and blue light blinks alternately	2 lights blink alternately (1s/time): Device upgrading

3 Mounting position and protection zone

1 Check Wi-fi availability



The AI Floodlight Cam needs a stable and sufficiently strong Wi-fi connection.



	✗
	✗
	✓
	✓

Please choose the location where you would like to position your AI Floodlight Cam and check the strength of the Wi-fi signal using your smart phone.

The table above indicates if the Wi-fi connection strength is sufficient for use in combination with the AI Floodlight Cam.

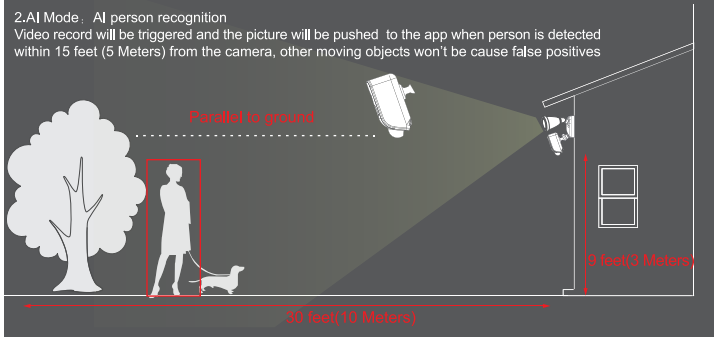
2 Ideal installation height of motion detection

When mounted at 9 feet off the ground

1.MD Mode: MD(motion detection) with the motion detector parallel to the ground, the motion sensor is optimized to detect human-sized objects at up to 30 feet (10M).

2.AI Mode: AI person recognition

Video record will be triggered and the picture will be pushed to the app when person is detected within 15 feet (5 Meters) from the camera, other moving objects won't be cause false positives



4 Installation Illustration

i The L800 AI Floodlight Cam needs 90-265 VAC power supply (with live, neutral and ground connections).



Before you start the installation please ensure the power is switched off at the main power switch.

1 Safety instructions:

- Before commencing installation or maintenance, the electricity supply must be turned off.
- The wattage of the LED used must not exceed the specific ratings.
- Please use the supply leads that must be at least 22AWG pvc coated wire.
- Be sure to connect ground lead.
- If protective cover is broken, it must be replaced with new cover. Do not use without a protective cover.

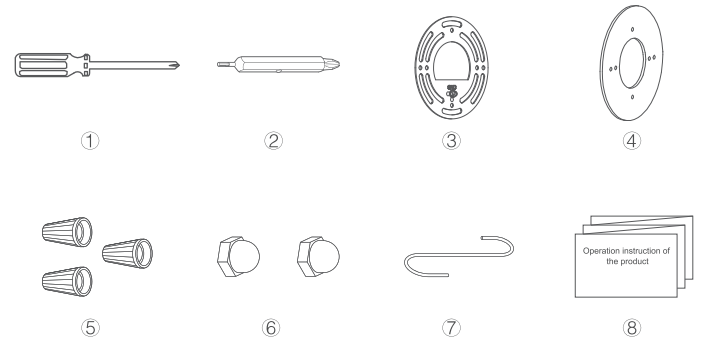
2 Installation notes:

- Height of installation from the ground is suggested around 9 feet.(3 meters)
- Motion sensor (Factory settings) has an horizontal range of 24 feet (8Meters)
- Mounting bracket mounts to recessed or surface standard junction box. Junction box must be at least 1-1/2 inch in depth for proper installation.
- Before you begin, please check out all the stuff in the box

3 NOTED

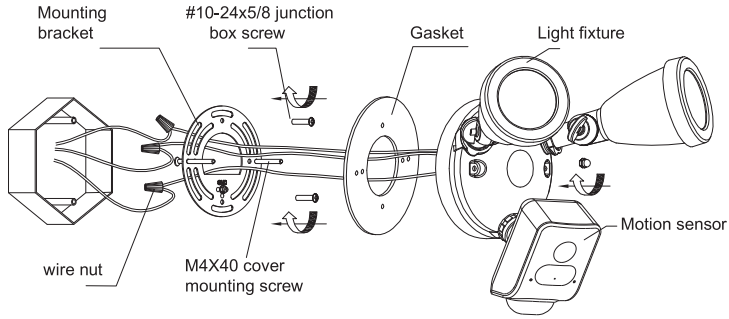
These instructions assume you're replacing an existing floodlight and /or have a junction box where Floodlight Cam can be mounted. If you don't have a junction box, then you'll need to hire an electrician to install one.

4 L800A accessories and installation guide



①	Screwdriver	②	Philips Bit	③	Mounting Bracket
④	Gasket	⑤	Wire Nuts (3)	⑥	Cap Nuts (2)
⑦	Hook	⑧	Manual (3)		

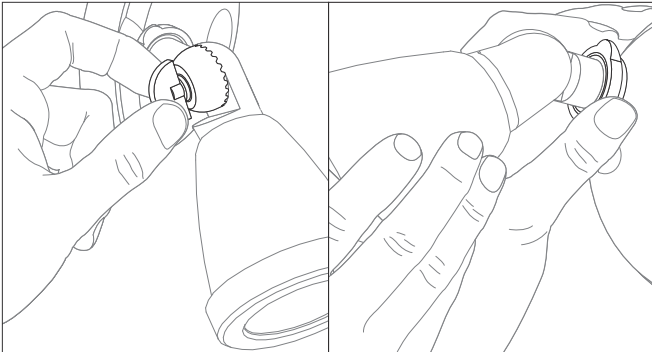
L800 Installation instruction



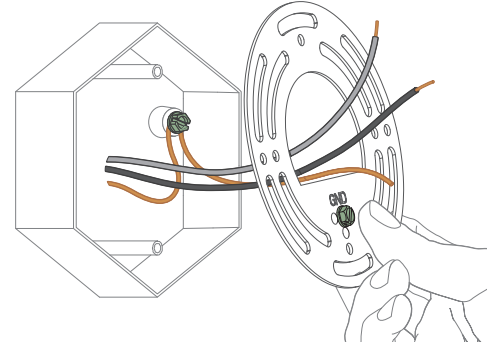
5 Installation instructions:

A. Turn OFF power at the circuit breaker box.

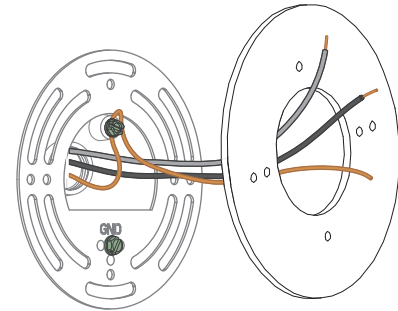
B. Loosen the knobs on the light fixtures to rotate them out of the way and allow access to the mounting screws.



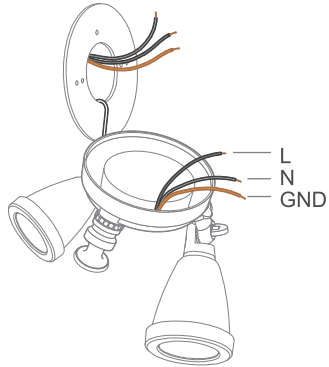
C. Install the mounting bracket with the two posts level with the ground or level with your wall if mounting vertically on an overhand.



D. Make sure your existing wires come through the middle of the bracket. Attach the bracket to your junction box using at least two screws.



E. Use the provided hook to hang floodlight cam from the bracket while connecting the wires.

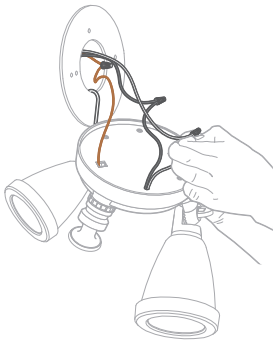


F. Use a wire nut to connect the white wire to the neutral wire coming out of your junction box.

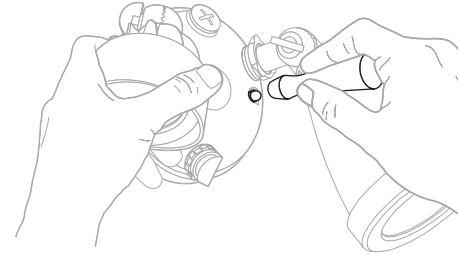
The black wire from the floodlight cam is a hot wire. Connect this wire to the hot wire coming out of your junction box using another wire nut.

Connect the ground wire to the green ground screw on the bracket and the existing ground wire inside your junction box. Use one of the supplied wire nuts if necessary.

(Black : L White:N Copper:GND)



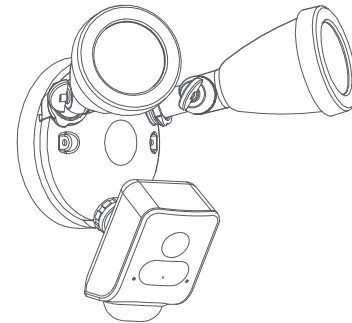
G. Carefully push all the wires through the large opening in the bracket. Align the mounting posts with the holes on floodlight cam and press together, securing the screw cap nuts with the orange screwdriver handle.



H. After finished floodlight mounting

1) Refer to the L800 user Mauna to set up your AI cam.

Connect the camera and the floodlight by the Type-c cable and mount it on the Magnetism mounting stem.



After restoring power, the lights will turn on for 15 second then off. and the blue light on the camera is on.now the AI floodlight cam is at your service.

5 Technical parameters

A:Camera part

Item	Specifications
Model	C400 AI floodlight cam
Lens	2.8mm/127°
Night vision	Color image for day and night
PIR	Angle: 180 Distance: 5-10 M partitions for set up
Image	1080P/15 frame
Video	SMART H.264
Audio	One way audio
Storage	Cloud storage/ TF card motion records, Max 64GB
WiFi	802.11 b/g/n
Motion detection	Support
Cellphone system	Android,iOS
Overall dimension	(L)63mm×(W)48.5mm×(H)104mm
Weight	1200g

B:Floodlight part

Item	L800A
Voltage input	90V-265V
Frequency input	50HZ 60HZ
Color temperature	4500K Warm white
Power	24W
Power for the camera	5V±5%@Max.500mA
Operation environment and protection	-20-50°C/IP55

FCC ID:2AJPAC400

FCC Warning

This device complies with Part 15 of the FCC Rules. Operation is subject to the following two conditions:

- (1) This device may not cause harmful interference.
- (2) this device must accept any interference received, including interference that may cause undesired operation.

This device must be installed to provide a separation distance of at least 20 cm from all persons and must not be collocated or operating in conjunction with any other antenna or transmitter.

NOTE 1: This equipment has been tested and found to comply with the limits for a Class B digital device, pursuant to part 15 of the FCC Rules. These limits are designed to provide reasonable protection against harmful interference in a residential installation. This equipment generates, uses and can radiate radio frequency energy and, if not installed and used in accordance with the instructions, may cause harmful interference to radio communications. However, there is no guarantee that interference will not occur in a particular installation. If this equipment does cause harmful interference to radio or television reception, which can be determined by turning the equipment off and on, the user is encouraged to try to correct the interference by one or more of the following measures:

- Reorient or relocate the receiving antenna.
- Increase the separation between the equipment and receiver.
- Connect the equipment into an outlet on a circuit different from that to which the receiver is connected.
- Consult the dealer or an experienced radio/TV technician for help.

NOTE 2: Any changes or modifications to this unit not expressly approved by the party responsible for compliance could void the user's authority to operate the equipment.