

K7 Bluetooth Speaker

尊敬的用户

非常感谢您选用K7蓝牙音箱,请在使用前,详细阅读本说明书,正确操作使用,更好的发挥产品优越性能。本产品外观设计时尚精巧便携、音质优美、多功能一体化设计,全系列拥有外观专利,系统上采用行业领先电声技术,使您在居家使用、户外旅行、商务工作中随时随地享受到卓越的音质效果,为您的平板电脑、手机、数码音乐播放器等广泛视听产品提供超值完美的音质。

安全注意事项

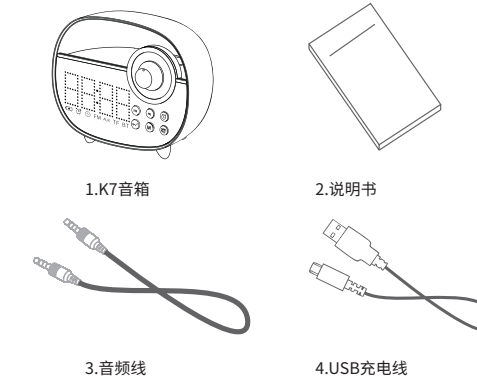
- 请在常温环境中存放以及使用本产品;
- 请勿将本产品暴露在中或潮湿环境中;
- 请勿丢弃,避免因跌落造成产品损坏;
- 请勿自行拆解、修理和改造本产品;
- 请不要靠近强磁场、电场;
- 切勿接触苯、稀剂等化学药品;
- 产品内置锂电池,请勿随意丢弃或置以火中,以免引起危险!

温馨提示:

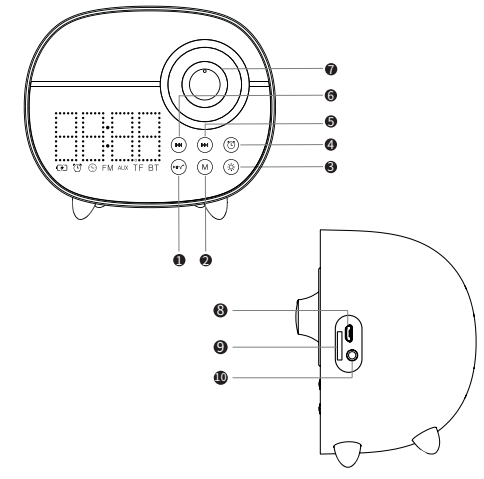
- 为有利于延长音箱使用寿命和您的身心健康,请不要在长时间大音量的环境下听音乐,以免损害您的听力。
- 出现故障时,请立即关闭电源开关,拔掉USB插头,防止充电器及其它元件损坏。
- 电量不足会影响蓝牙距离或蓝牙容易断开,请及时充电。

装箱资料

- K7音箱
- 说明书
- 音频线
- USB充电线



按键及接口



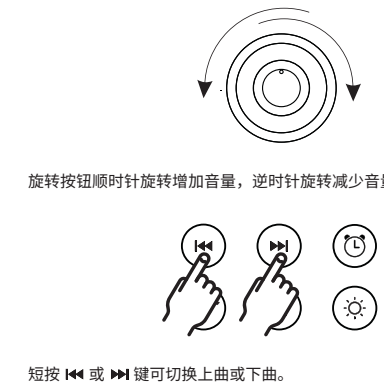
功能操作说明

开机/关机模式:

- 开机: 顺时针旋转旋钮开关开启音箱, LED屏幕显示“H1”, 电位器周围LED灯亮起。
- 开机后在没有其他音频接入情况下, 直接进入蓝牙搜索模式, 如有其他音频接入情况下, 首选TF卡模式, 无TF卡接入时会选择下个模式AUX音频模式。
- 关机: 逆时针旋转旋钮开关关闭音箱, LED屏熄灭。

蓝牙模式:

- 连接说明: LED屏上BT灯闪烁时表示蓝牙进入搜索配对状态, 此时可以使用带蓝牙功能的数码产品进行配对, 打开数码产品蓝牙功能进入手动搜索, 显示出“K7”配对后点击连接, 连接成功有提示音发出, 同时LED屏BT灯长亮。(注: 如果之前已连接过音响, 开机后会自动回连。)
- 按键说明: 短按“H”键可暂停或播放音乐。如需断开蓝牙连接, 可长按“H”键5秒断开蓝牙。



TF卡模式:

- 插入存有音乐的正品TF卡, 音响会自动转换为TF卡模式, 同时LED屏TF灯长亮。
- 按键说明: 短按“H”键可暂停或播放音乐。如需断开蓝牙连接, 可长按“H”键5秒断开蓝牙。
- 通话说明: 音响与手机连接成功后, 双击“H”键可拨打手机最后拨出的号码, 如来电时可短按“H”键接听, 再次短按挂机。如需拒接电话, 可长按“H”键拒接。

AUX模式:

- 插入本机自带音频输入线, 音响会自动转换为AUX模式, 同时LED屏AUX灯长亮。
- 按键说明: 短按“H”键可切换电台, 旋转按钮顺时针旋转增加音量, 逆时针旋转减少音量。
- 短按“H”或“M”键可切换上曲或下曲。
- 短按“H”或“M”键可切换静音。

收音模式:

- 长按“H”键进入自动搜台并储存电台。
- 短按“H”或“M”键切换电台, 旋转按钮顺时针旋转增加音量, 逆时针旋转减少音量。
- 将音频线插入AUX做为FM外置天线。

时钟模式:

- 通过M键切换到时钟模式下, LED屏时钟灯亮, 并自动显示当前时间。
- 长按“H”键进入时间设置, 短按“H”键切换设置。设置“时”→“分”, 可通过短按或长按“H”或“M”键来增加和减少数字。再次长按闹钟键或者静止30秒后自动保存退出。
- 闹钟响起时按任意按键关闭闹钟。

省电模式:

- 在任意模式下, 对音响按键无操作超过10分钟后, LED屏将熄灭, 可按任意键重新唤醒LED屏显示。当给音响充电时, 省电模式关闭。
- 当音响处于低电时, LED屏充电灯闪烁, 同时会发出报警音, 每30秒钟报警一次, 此时需要连接充电线进行充电, 充电时LED屏充电灯长亮, 充满电后充电灯熄灭。当电池满电时, 插上充电器时充电灯先亮1分钟, 然后再熄灭。
- 灯键说明: 默认开机为呼吸灯, 短按灯键依次为呼吸灯-频闪灯-红-绿-黄-天循环。
- M键说明: 当音响同时插入TF卡和音频输入线时, 可通过短按M键进行切换, 同时发出提示音。模式切换顺序为TF卡模式→AUX模式→收音模式→时钟模式→蓝牙模式→TF卡模式。

技术参数

- 输入电压/电流: DC5V/500mA
- 内置电池类型: 锂电池
- 内置电池容量: 3.7V/1200mAh
- 功率消耗: 3W
- 音频接口: A.蓝牙无线传输 B.AUX C.TF D.FM
- 阻抗: 4Ω
- 蓝牙版本: BT5.0
- 传输距离: 10M
- 音频输入: 3.5mm
- 播放音乐时长: 4小时

产品规格

- 尺寸: 136*114*86mm
- 颜色: 黄色 红色 绿色
- 材质: 塑胶
- 重量: 394g

K7 Alarm Clock Speaker Wireless Speaker

DEAR SIR / MADAM

Thank you for purchasing K7 speaker. For the best performance of the speaker, please read this manual carefully before using. The speaker features a fashionable design, multiple functions and high acoustic quality. All our products are original design with patents. This device, adopts the latest electro-acoustic technology, makes you enjoy the excellent sound whenever and wherever you are at home, travelling or on a business trip. And it provides perfect sound for audio-video products like tablet PC, smart phone, DVD player and so on.

Notes

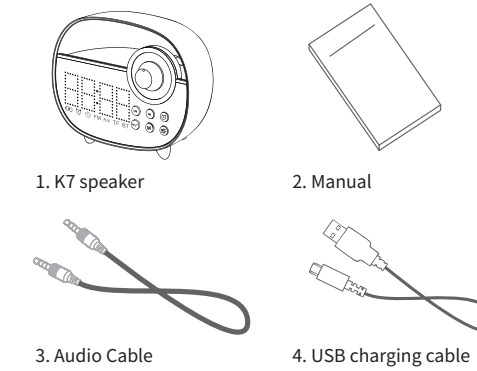
- Please use or keep this device at the places with normal temperature.
- Do not expose this product in the rain or damp environment.
- Do not throw the device to avoid damage.
- Do not disassemble, repair or refill it on your own.
- Do not close to strong magnetic or electric field.
- Do not let the speaker touch Benzene, diluent chemicals, etc.
- Lithium battery is included in device, do not throw or place the device in fire to avoid danger.

Tips

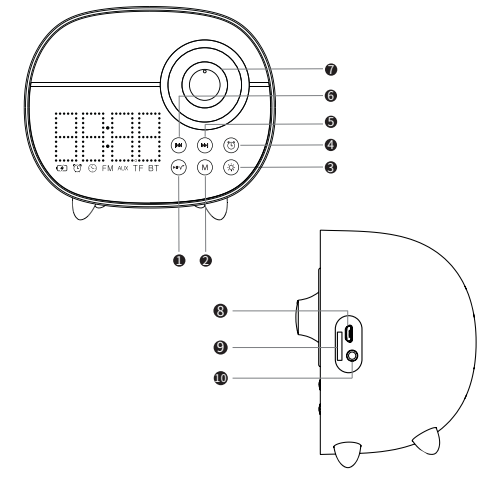
- To extend the speaker's lifespan and also for your health, please do not use the speaker for a long time at the loud volume.
- When the device breakdowns, please shut off the electrical power and unplug the USB cable immediately to avoid the damage of the other components.
- The Bluetooth will easily disconnect and the Bluetooth range will also be influenced when lack of power, please charge the speaker timely.

Package Details

- K7 speaker
- Manual
- Audio Cable
- USB charging cable



Button and Port



Function & Operation Description

Power On/Off Mode:

- Power on: Rotate clock-wise the rotary switch to turn on the speaker, H1 will be displayed on the LED screen and the lights turn on once power on.
- The speaker will directly enter the Bluetooth search mode if there is no other audio access. If there are other audio accesses, TF card will be chosen as priority. If there is no TF card, the speaker will enter Aux mode.
- Power off: Rotate counterclockwise the rotary switch to turn on the speaker, the LED screen and lights turns off when power off.

Bluetooth Mode:

- Connection instruction: The device enters the searching and pairing condition when “BT” flashes on the screen. At this time, you can turn on the Bluetooth of your digital products to search “K7” and connect it. Prompt sound will be heard once the speaker has been successfully connected, at the same time, both of the led screen and light stay on. (Note: The Bluetooth will be automatically connected if it was connected once.)
- Button Description: Rotate clockwise the rotary switch to increase the volume; rotate counterclockwise to decrease the volume.
- Phone Call Instruction: Short press the “H” button to pause/play the music, long press “H” button for 5 seconds to disconnect the Bluetooth connection.

TF Card Mode:

- When insert the original TF card which stored with music, the speaker will switch to TF card mode automatically, at the same time, the “TF” shows on the LED screen.
- Button Description: Rotate clockwise the rotary switch to increase the volume; rotate counterclockwise to decrease the volume.
- Short press “H” or “M” button to switch previous and next track.
- Short press the “H” button to pause/play the music.

AUX Mode:

- Insert the equipped line-in cable, the speaker will automatically switch to AUX mode, at the same time, the “AUX” shows on the LED screen.
- Button Instruction: Rotate clockwise the rotary switch to increase the volume; rotate counterclockwise to decrease the volume.
- Short press “H” or “M” button to switch previous and next track.
- Short press the “H” button to make the speaker mute.

Radio Mode:

- Long press “H” button to scan and store radio channels automatically.
- Short press the alarm clock button to switch between hour and minute setting. And long or short press the “H” or “M” to increase or decrease the setting number. Long press the alarm clock button again to exit the setting or it will automatically exit if there is no other operation for 30 seconds. Once the alarm clock turns on, the alarm clock icon will be shown on the led screen under any mode.
- When the alarm clock rings, press any button to turn off the clock.

Power Saving Mode:

- Under any mode, the LED screen will turn off automatically if there is no operation over ten minutes. And press any button can awaken the LED screen. The power saving mode will be off when charging the speaker.
- When the speaker battery is of low power, the battery icon will flash, and the alarm sound will be heard every 30 seconds. The battery icon will stay on while charging and will turn off once fully charged.

Light Instruction:

- The power on default light is notify light. Short press the light button to switch among notify light→rhythm light→red light→green light→yellow light→light turns off→notify light.

Mode Button Instruction:

- When TF card and line-in cable both insert in the speaker, short press the “M” button to switch the mode. The sequence of modes will be TF card mode→AUX mode→Radio mode→Bluetooth wireless connection Mode→TF Card Mode.

Technical Specification

- Input Voltage/Current: DC5V/500mA
- Battery type: Li-Ion Battery
- Battery capacity: 3.7V/1200mAh
- Speaker output: 3W
- Audio interface: Bluetooth / AUX /TF/FM
- Impedance: 4Ω
- Bluetooth version: 5.0
- Wireless range: 10m
- Aux-in port: 3.5mm
- Playtime: 4h

Product Specification

- Size: 136*114*86mm
- Color: Yellow/Red/Green
- Material: ABS plastic
- Weight: 394g

FCC Warning Statement

Changes or modifications not expressly approved by the party responsible for compliance could void the user's authority to operate the equipment. This equipment has been tested and found to comply with the limits for a Class B digital device, pursuant to Part 15 of the FCC Rules. These limits are designed to provide reasonable protection against harmful interference in a residential installation. This equipment generates uses and can radiate radio frequency energy and, if not installed and used in accordance with the instructions, may cause harmful interference to radio communications. However, there is no guarantee that interference will not occur in a particular installation. If this equipment does cause harmful interference to radio or television reception, which can be determined by turning the equipment off and on, the user is encouraged to try to correct the interference by one or more of the following measures:

- - Reorient or relocate the receiving antenna.
- - Increase the separation between the equipment and receiver.
- - Connect the equipment into an outlet on a circuit different from that to which the receiver is connected.
- - Consult the dealer or an experienced radio/TV technician for help.

This device complies with part 15 of the FCC Rules. Operation is subject to the following two conditions: (1) This device may not cause harmful interference, and (2) this device must accept any interference received, including interference that may cause undesired operation.