

dodocool

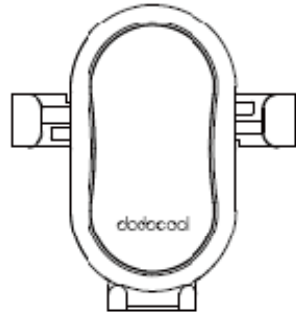
Instruction Manual

DA188

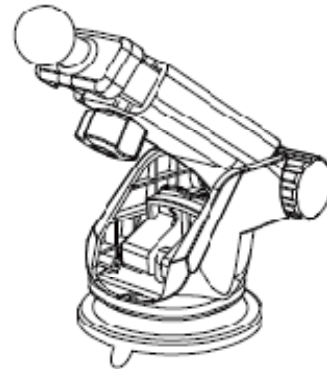
Fast Wireless Car Charger

EN

Package contents



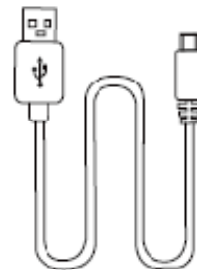
Wireless charger * 1



Suction cup mount * 1



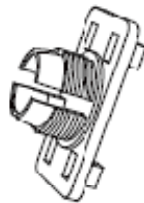
Air vent mount * 2



Micro-USB charging cable * 1



Nut * 1



Ball socket * 1



Instruction manual * 1 ①

Attention



Avoid dropping



Don't expose to liquids



Don't disassemble



Don't squeeze or bump



Keep away from fire



Avoid extreme temperatures
($> 60\text{ }^{\circ}\text{C}$)

Specifications

Input	5V \Rightarrow 2.0A / 9V \Rightarrow 1.67A
Frequency	110 ~ 205 kHz
Charging distance	$\leq 8\text{mm}$
Conversion rate	$\geq 72\%$

Note

This product supports two modes of wireless charging.

1. Fast Wireless Charging (output 10W)

It works with devices which support fast wireless charging, such as Samsung Galaxy S8 / S8+ / S7 edge / S7 / Note5 / S6 edge+.

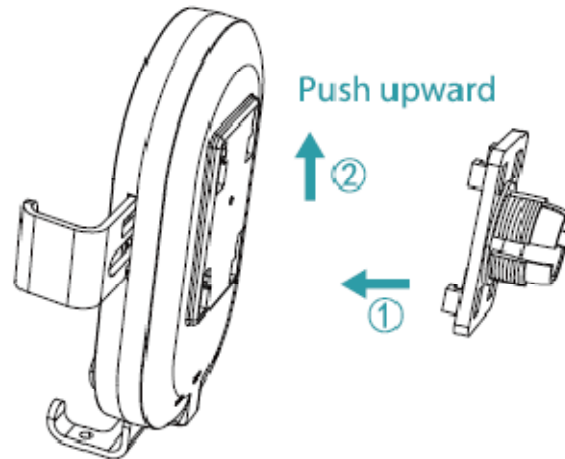
2. Standard Wireless Charging (output 5W)

It works with devices which **only** support standard wireless charging, such as Samsung Galaxy S6 / S6 edge / iPhone X / iPhone 8 Plus / iPhone 8, and other devices with Qi receivers.



How to use

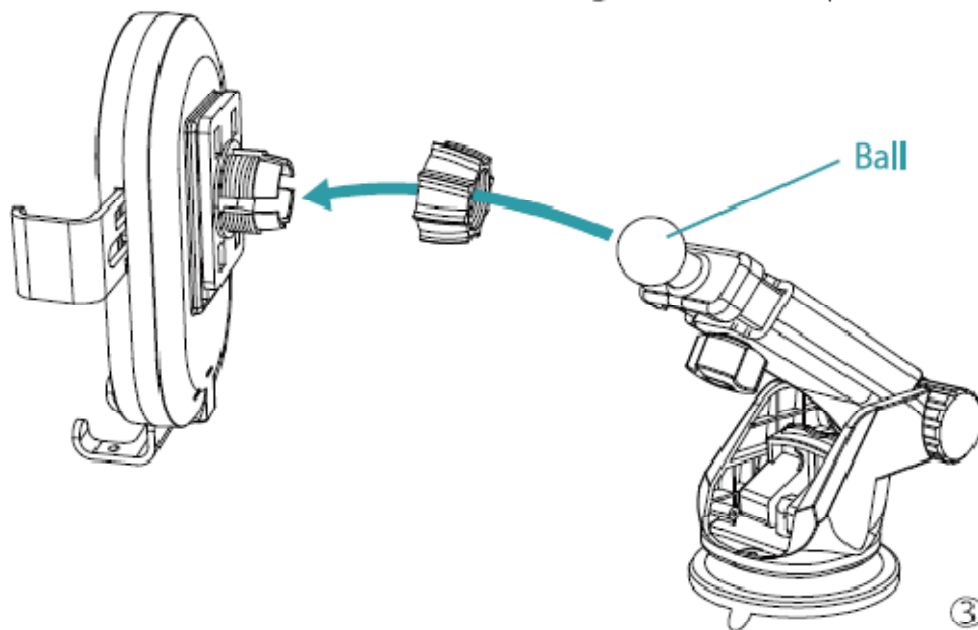
1. Fix the ball socket on the back of the wireless charger.

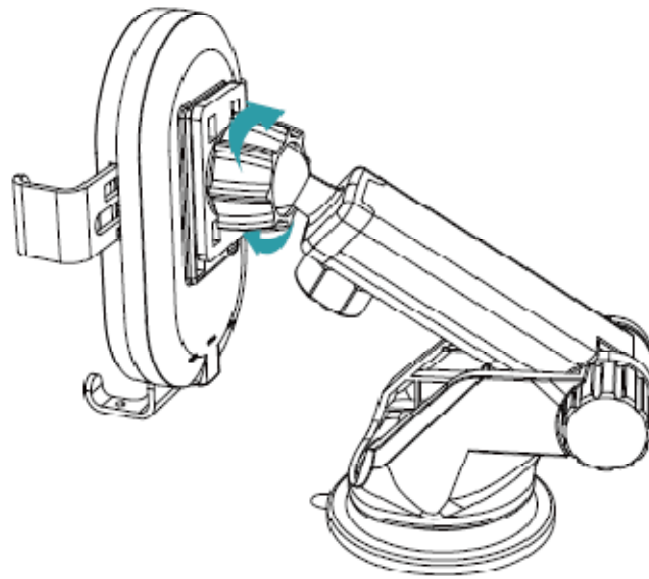


2. Install the wireless charger (3 options)

A. Suction Mount Installation

- A1. Push the ball into the ball socket and tighten it with the plastic nut.

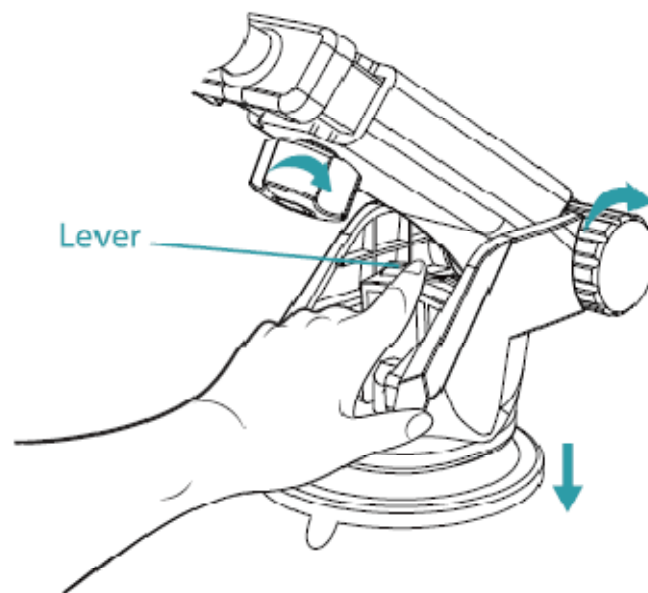




A2. Attach to the dashboard or the windshield.

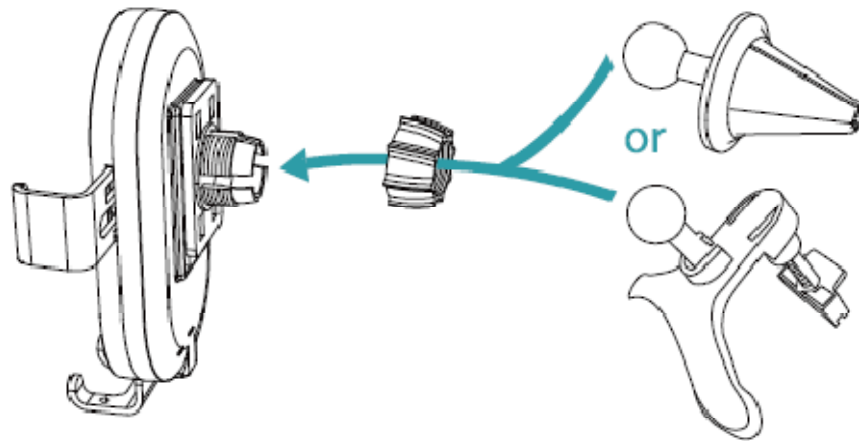
Note:

- 1) For a stable holding, push down the lever to lock it in place.
- 2) To remove the suction cup, push up the lever.

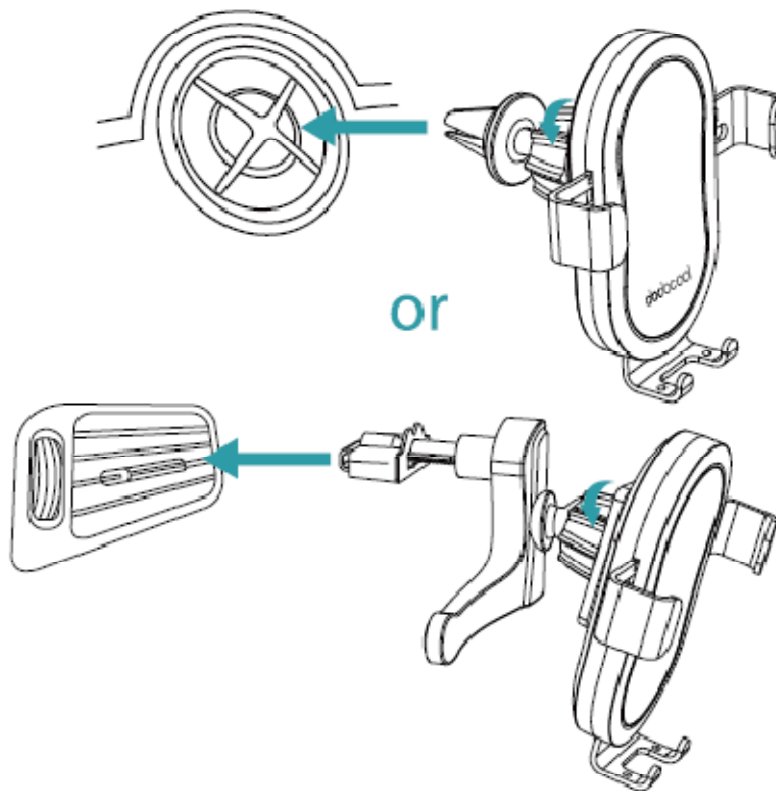


B. Air Vent Mount Installation

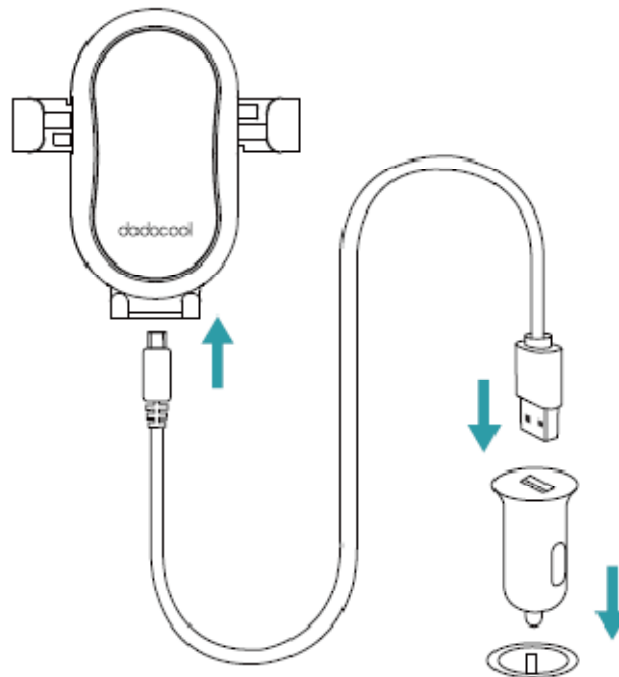
B1. Push the ball into the ball socket and tighten it with the plastic nut.



B2. Attach to the car air vent and secure it firmly in place.

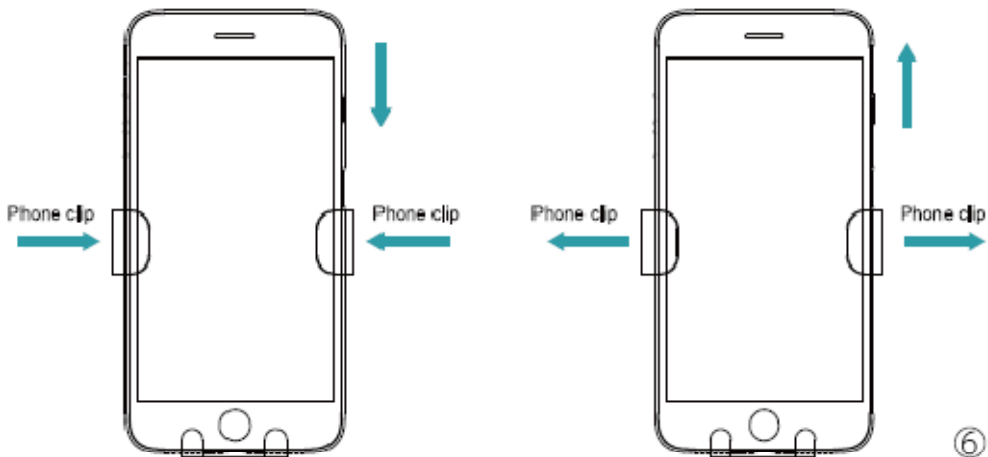


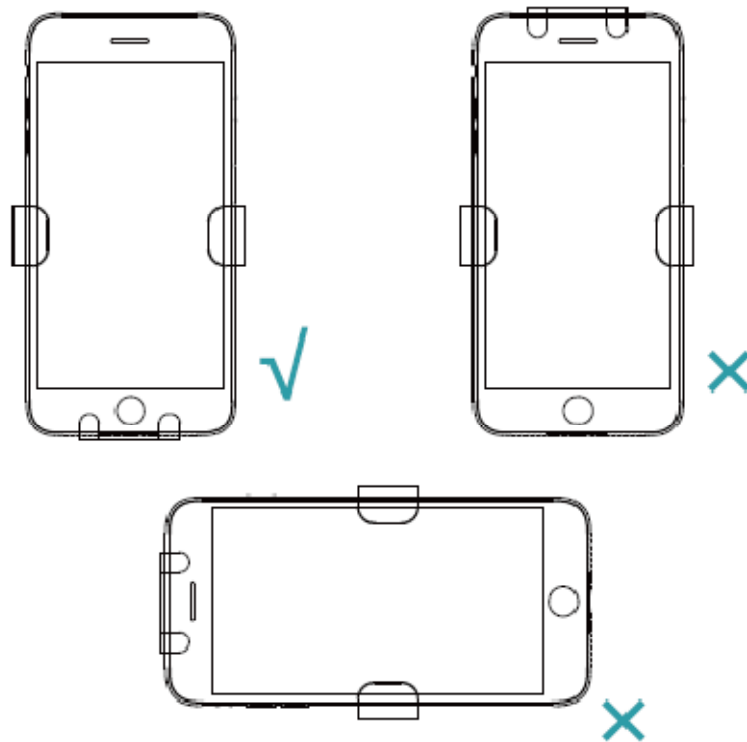
3. Connect to Power



4. Charge Mobile Phones

Place the Qi-enabled mobile device vertically in the wireless charger. When the clip at the bottom detects the device, the side clips will automatically and securely hold the device.





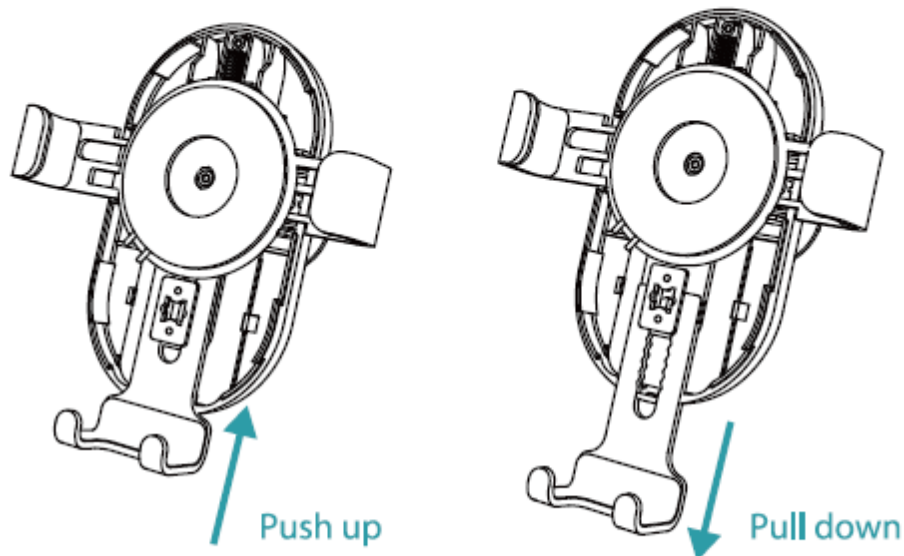
Note:

1) For the **optimal** performance, remove your protective phone case and other metal or magnetic objects, and place your phone properly in the wireless charging area.

2) A Quick Charge 3.0 or Quick Charge 2.0 enabled power adapter is required for the fast charge wireless charging feature. Power adapters are not included. It is recommended to use the included Micro-USB charging cable or a 2A charging cable.

3) For some Qi-compatible devices, you may need to buy a Qi-compatible receiver separately to activate the wireless charging function.

5. You can manually pull up or down the bottom clip to adjust to the proper charging position. Ensure that the wireless charger's charging coil is aligned to the internal coil of the phone. ⑦



LED Indicator

Blue, red, and green LED each flashes once in turn when it is connected to power.

Output	Fast Charge Feature	Charging	Fully Charged
5W	No	Blue (solid)	Blue (solid) Green (solid)
10W (With a QC 2.0 or QC 3.0 power adapter)	Yes	Blue (solid) Red (solid)	Blue (solid) Red (solid) Green (solid)

Note

1. Keep away from magnetic objects or chip cards.
2. Keep away at least 20 cm from implantable medical devices (pacemakers, implantable cochlear, etc.).
3. Keep away from children.

FCC Notice

NOTE: This equipment has been tested and found to comply with the limits for a Class B digital device, pursuant to Part 15 of the FCC Rules. These limits are designed to provide reasonable protection against harmful interference in a residential installation. This equipment generates uses and can radiate radio frequency energy and, if not installed and used in accordance with the instructions, may cause harmful interference to radio communications. However, there is no guarantee that interference will not occur in a particular installation. If this equipment does cause harmful interference to radio or television reception, which can be determined by turning the equipment off and on, the user is encouraged to try to correct the interference by one or more of the following measures:

- Reorient or relocate the receiving antenna.
- Increase the separation between the equipment and receiver.
- Connect the equipment into an outlet on a circuit different from that to which the receiver is connected.
- Consult the dealer or an experienced radio/TV technician for help.

WARNING: Changes or modifications not expressly approved by the party responsible for compliance could void the user's authority to operate the equipment.

This device complies with Part 15 of the FCC rules. Operation is subject to the following two conditions: 1) this device may not cause harmful interference, and 2) this device must accept any interference received, including interference that may cause undesired operation.