

HAC_E_Dipole_835

DUT: HAC-Dipole 835 MHz

Communication System: CW; Frequency: 835 MHz; Duty Cycle: 1:1

Medium: Air Medium parameters used: $\sigma = 0$ S/m, $\epsilon_r = 1$; $\rho = 0$ kg/m³

Ambient Temperature : 23.6 °C

DASY5 Configuration

- Probe: EF3DV3 - SN4047; ConvF(1, 1, 1) @ 835 MHz; Calibrated: 2019/1/30

- Sensor-Surface: (Fix Surface)

- Electronics: DAE3 Sn495; Calibrated: 2020/7/21

- Phantom: HAC Test Arch with AMCC; Type: SD HAC P01 BA;

- Measurement SW: DASY52, Version 52.10 (4); SEMCAD X Version 14.6.14 (7483)

E Scan - measurement distance from the probe sensor center to CD835 = 10mm & 15mm/Hearing Aid Compatibility Test at 15mm distance (41x361x1): Interpolated grid:

dx=0.5000 mm, dy=0.5000 mm

Device Reference Point: 0, 0, -6.3 mm

Reference Value = 124.3 V/m; Power Drift = 0.02 dB

PMR not calibrated. PMF = 1.000 is applied.

E-field emissions = 115.1 V/m

Average value of Total=(114.3+115.1) / 2 = 114.7 V/m

PMF scaled E-field

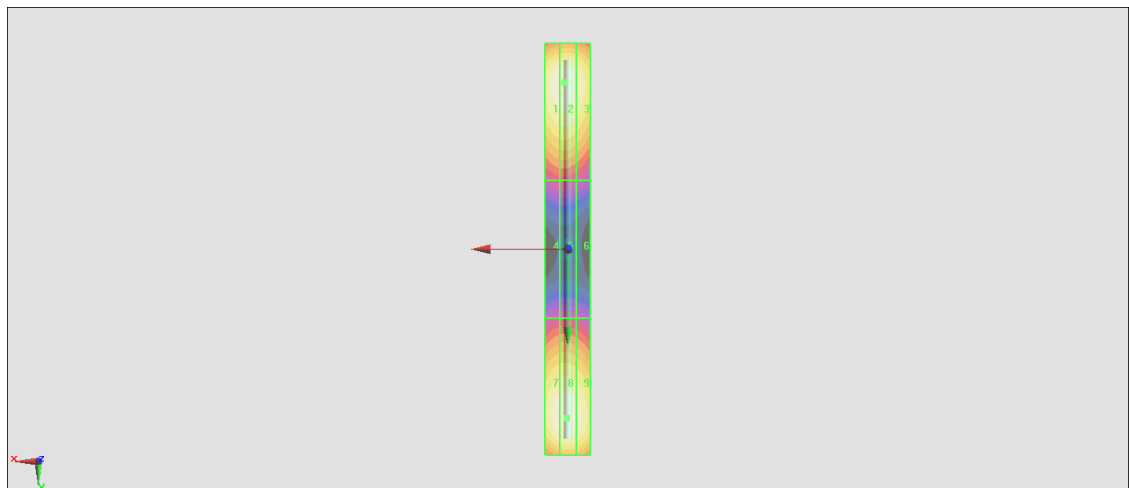
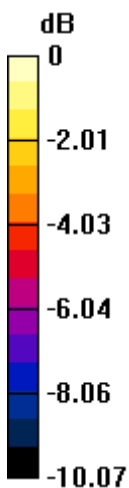
Grid 1 M4 113.4 V/m	Grid 2 M4 114.3 V/m	Grid 3 M4 109.0 V/m
Grid 4 M4 64.35 V/m	Grid 5 M4 64.52 V/m	Grid 6 M4 61.55 V/m
Grid 7 M4 113.2 V/m	Grid 8 M4 115.1 V/m	Grid 9 M4 111.5 V/m

Cursor:

Total = 115.1 V/m

E Category: M4

Location: 0.5, 74, 8.7 mm



0 dB = 115.1 V/m = 41.22 dBV/m

HAC_E_Dipole_1880

DUT: HAC Dipole 1880 MHz

Communication System: CW; Frequency: 1880 MHz; Duty Cycle: 1:1
 Medium: Air Medium parameters used: $\sigma = 0$ S/m, $\epsilon_r = 1$; $\rho = 0$ kg/m³
 Ambient Temperature : 23.6 °C

DASY5 Configuration

- Probe: EF3DV3 - SN4047; ConvF(1, 1, 1) @ 1880 MHz; Calibrated: 2019/1/30
- Sensor-Surface: (Fix Surface)
- Electronics: DAE3 Sn495; Calibrated: 2020/7/21
- Phantom: HAC Test Arch with AMCC; Type: SD HAC P01 BA;
- Measurement SW: DASY52, Version 52.10 (4); SEMCAD X Version 14.6.14 (7483)

E Scan - measurement distance from the probe sensor center to CD1880 = 10mm & 15mm/Hearing Aid Compatibility Test at 15mm distance (41x181x1): Interpolated grid:

dx=0.5000 mm, dy=0.5000 mm

Device Reference Point: 0, 0, -6.3 mm

Reference Value = 156.6 V/m; Power Drift = 0.01 dB

PMR not calibrated. PMF = 1.000 is applied.

E-field emissions = 88.19 V/m

Average value of Total=(88.19+86.99) / 2 = 87.59 V/m

PMF scaled E-field

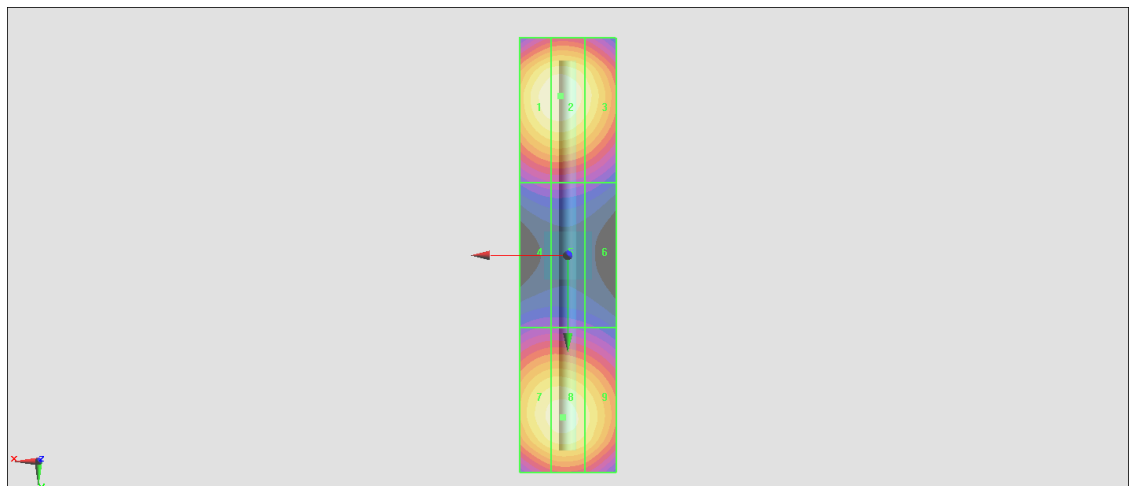
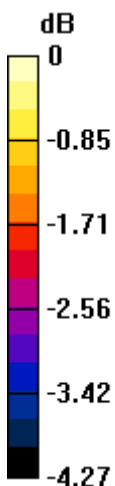
Grid 1 M3 87.87 V/m	Grid 2 M3 88.19 V/m	Grid 3 M3 84.77 V/m
Grid 4 M3 65.37 V/m	Grid 5 M3 65.47 V/m	Grid 6 M3 64.03 V/m
Grid 7 M3 86.27 V/m	Grid 8 M3 86.99 V/m	Grid 9 M3 84.09 V/m

Cursor:

Total = 88.19 V/m

E Category: M3

Location: 1.5, -33, 9.7 mm



0 dB = 88.19 V/m = 38.91 dBV/m

HAC_E_Dipole_2450

DUT: HAC Dipole 2450 MHz

Communication System: CW; Frequency: 2450 MHz; Duty Cycle: 1:1
 Medium: Air Medium parameters used: $\sigma = 0$ S/m, $\epsilon_r = 1$; $\rho = 0$ kg/m³
 Ambient Temperature : 23.6 °C

DASY5 Configuration

- Probe: EF3DV3 - SN4047; ConvF(1, 1, 1) @ 2450 MHz; Calibrated: 2020/1/24
- Sensor-Surface: (Fix Surface)
- Electronics: DAE3 Sn495; Calibrated: 2020/7/21
- Phantom: HAC Test Arch with AMCC; Type: SD HAC P01 BA;
- Measurement SW: DASY52, Version 52.10 (4); SEMCAD X Version 14.6.14 (7483)

E Scan - measurement distance from the probe sensor center to CD2450 = 10mm & 15mm 2/Hearing Aid Compatibility Test at 15mm distance (41x181x1): Interpolated grid: dx=0.5000 mm, dy=0.5000 mm

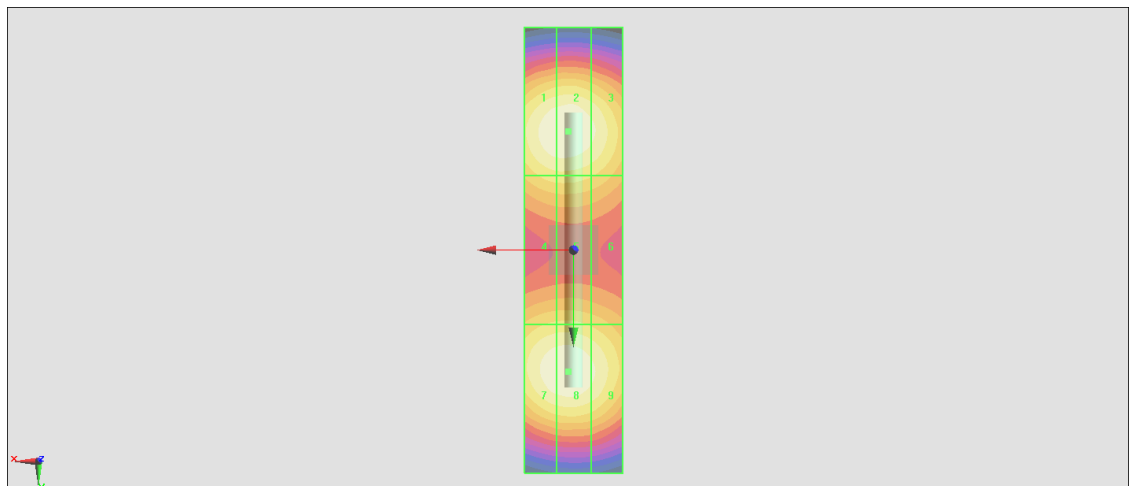
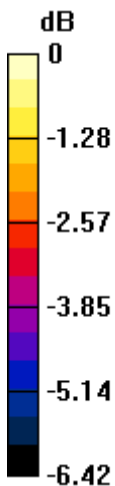
Device Reference Point: 0, 0, -6.3 mm
 Reference Value = 81.67 V/m; Power Drift = 0.04 dB
 PMR not calibrated. PMF = 1.000 is applied.
 E-field emissions = 85.39 V/m
 Average value of Total=(85.61+85.44) / 2 = 85.525 V/m

PMF scaled E-field

Grid 1 M3 84.98 V/m	Grid 2 M3 85.61 V/m	Grid 3 M3 82.42 V/m
Grid 4 M3 75.93 V/m	Grid 5 M3 76.03 V/m	Grid 6 M3 74.12 V/m
Grid 7 M3 84.62 V/m	Grid 8 M3 85.44 V/m	Grid 9 M3 82.40 V/m

Cursor:

Total = 85.61 V/m
 E Category: M3
 Location: 1, -24, 9.7 mm



0 dB = 85.61 V/m = 38.65 dBV/m

HAC_E_Dipole_3500

DUT: HAC Dipole 3500 MHz

Communication System: CW ; Frequency: 3500 MHz; Duty Cycle: 1:1

Medium: Air Medium parameters used: $\sigma = 0$ S/m, $\epsilon_r = 1$; $\rho = 0$ kg/m³

Ambient Temperature : 23.6 °C

DASY5 Configuration

- Probe: EF3DV3 - SN4047; ConvF(1, 1, 1) @ 3500 MHz; Calibrated: 2020/1/24
- Sensor-Surface: (Fix Surface)
- Electronics: DAE3 Sn495; Calibrated: 2020/7/21
- Phantom: HAC Test Arch with AMCC; Type: SD HAC P01 BA;
- Measurement SW: DASY52, Version 52.10 (4); SEMCAD X Version 14.6.14 (7483)

E Scan - measurement distance from the probe sensor center to CD3500 = 10mm & 15mm/Hearing Aid Compatibility Test at 15mm distance (41x121x1): Interpolated grid:

dx=0.5000 mm, dy=0.5000 mm

Device Reference Point: 0, 0, -6.3 mm

Reference Value = 39.67 V/m; Power Drift = 0.09 dB

PMR not calibrated. PMF = 1.000 is applied.

E-field emissions = 91.93 V/m

Average value of Total=(88.09+91.93) / 2 = 90.01 V/m

PMF scaled E-field

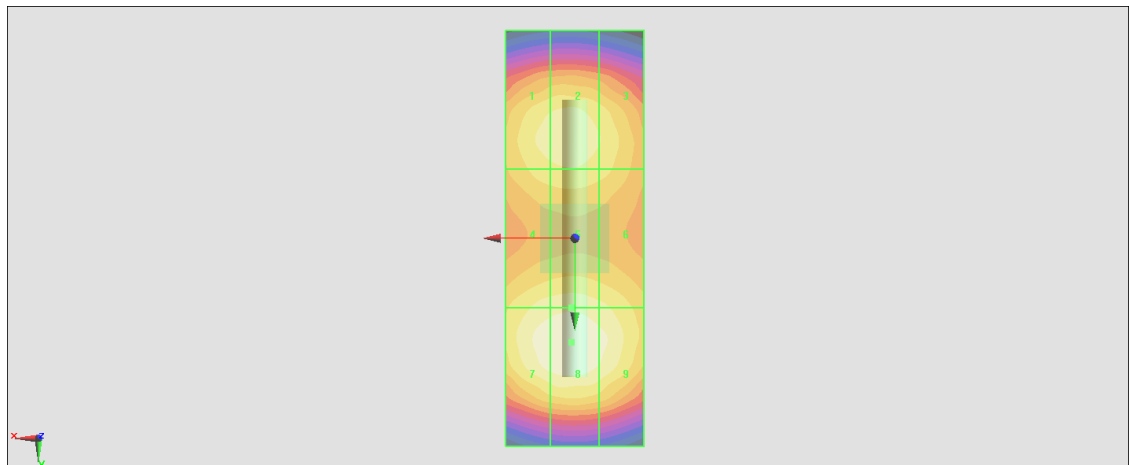
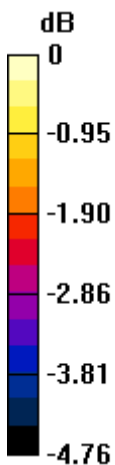
Grid 1 M3 87.05 V/m	Grid 2 M3 88.09 V/m	Grid 3 M3 85.64 V/m
Grid 4 M3 87.40 V/m	Grid 5 M3 88.16 V/m	Grid 6 M3 86.54 V/m
Grid 7 M3 90.97 V/m	Grid 8 M3 91.93 V/m	Grid 9 M3 89.64 V/m

Cursor:

Total = 91.93 V/m

E Category: M3

Location: 0.5, 15, 9.7 mm



0 dB = 91.93 V/m = 39.27 dBV/m