



# EMC TEST REPORT

**Applicant** HMD Global Oy  
**FCC ID** 2AJOTTA-1223  
**Product** mobile phone  
**Brand** Nokia  
**Model** TA-1223  
**Report No.** R2001A0040-E1V1  
**Issue Date** April 3, 2020

TA Technology (Shanghai) Co., Ltd. tested the above equipment in accordance with the requirements in **FCC Code CFR47 Part15B (2019)/ ANSI C63.4 (2014)**. The test results show that the equipment tested is capable of demonstrating compliance with the requirements as documented in this report.

*Wei Liu*

*Guangchang Fan*

*Performed by: Wei Liu/ Manager*

*Approved by: Guangchang Fan/ Director*

**TA Technology (Shanghai) Co., Ltd.**

*No.145, Jintang Rd, Tangzhen Industry Park, Pudong Shanghai, China*

*TEL: +86-021-50791141/2/3*

*FAX: +86-021-50791141/2/3-8000*



## Table of Contents

1	Test Laboratory.....	4
1.1	Notes of the Test Report.....	4
1.2	Testing Location.....	4
2	General Description of Equipment under Test.....	5
2.1	Applicant and Manufacturer Information.....	5
2.2	General information.....	5
2.3	Applied Standards.....	8
2.4	Test Mode.....	9
3	Test Case Results .....	10
3.1	Radiated Emission .....	10
3.2	Conducted Emission .....	15
4	Main Test Instruments .....	18



## Summary of measurement results

Number	Test Case	Clause in FCC Rules	Conclusion
1	Radiated Emission	FCC Part15.109, ANSI C63.4-2014	PASS
2	Conducted Emission	FCC Part15.107, ANSI C63.4-2014	PASS
Test Date:January 16, 2020 ~ February 28, 2020			
Note: All indications of Pass/Fail in this report are opinions expressed by TA Technology (Shanghai) Co., Ltd. based on interpretations and/or observations of test results. Measurement Uncertainties were not taken into account and are published for informational purposes only.			

**Note: This revised report (Report No.:R2001A0040-E1V1) supersedes and replaces the previously issued report (Report No.:R2001A0040-E1). Please discard or destroy the previously issued report and dispose of it accordingly.**



# 1 Test Laboratory

## 1.1 Notes of the Test Report

This report shall not be reproduced in full or partial, without the written approval of **TA technology (shanghai) co., Ltd.** The results documented in this report apply only to the tested sample, under the conditions and modes of operation as described herein .Measurement Uncertainties were not taken into account and are published for informational purposes only. This report is written to support regulatory compliance of the applicable standards stated above.

## 1.2. Test facility

### **FCC (Designation number: CN1179, Test Firm Registration Number: 446626)**

TA Technology (Shanghai) Co., Ltd. has been listed on the US Federal Communications Commission list of test facilities recognized to perform electromagnetic emissions measurements.

### **A2LA (Certificate Number: 3857.01)**

TA Technology (Shanghai) Co., Ltd. has been listed by American Association for Laboratory Accreditation to perform electromagnetic emission measurement.

## 1.3 Testing Location

Company: TA Technology (Shanghai) Co., Ltd.  
Address: No.145, Jintang Rd, Tangzhen Industry Park, Pudong Shanghai, China  
City: Shanghai  
Post code: 201201  
Country: P. R. China  
Contact: Xu Kai  
Telephone: +86-021-50791141/2/3  
Fax: +86-021-50791141/2/3-8000  
Website: <http://www.ta-shanghai.com>  
E-mail: [xukai@ta-shanghai.com](mailto:xukai@ta-shanghai.com)

## 2 General Description of Equipment under Test

### 2.1 Applicant and Manufacturer Information

<b>Applicant</b>	HMD Global Oy
<b>Applicant address</b>	Bertel Jungin aukio 9,02600 ESPOO. FINLAND
<b>Manufacturer</b>	HMD Global Oy
<b>Manufacturer address</b>	Bertel Jungin aukio 9,02600 ESPOO. FINLAND

### 2.2 General information

EUT Description			
Device Type:	Portable Device		
Model:	TA-1223		
IMEI:	IMEI 1:355795100012570 IMEI 2:355795100015342		
HW Version:	LLDM528		
SW Version:	LLDB7749		
Antenna Type:	Internal Antenna		
Frequency:	Band	Tx (MHz)	Rx (MHz)
	GSM 850	824 ~ 849	869 ~ 894
	GSM 1900	1850 ~ 1910	1930 ~ 1990
	WCDMA Band II	1850 ~ 1910	1930 ~ 1990
	WCDMA Band IV	1710 ~ 1755	2110 ~ 2155
	WCDMA Band V	824 ~ 849	869 ~ 894
	LTE Band 2	1850 ~ 1910	1930 ~ 1990
	LTE Band 4	1710 ~ 1755	2110 ~ 2155
	LTE Band 5	824 ~ 849	869 ~ 894
	LTE Band 7	2500 ~ 2570	2620 ~ 2690
	LTE Band 12	699 ~ 716	729 ~ 746
	LTE Band 13	777 ~ 787	746 ~ 756
	LTE Band 17	704 ~ 716	734 ~ 746
	LTE Band 66	1710 ~ 1780	2110 ~ 2180
	Bluetooth:	2400 ~ 2483.5	2400 ~ 2483.5
	WIFI 2.4G:	2400 ~ 2483.5	2400 ~ 2483.5
	WIFI 5G(U-NII-1):	5150 ~ 5250	5150 ~ 5250
WIFI 5G(U-NII-3):	5725 ~ 5850	5725 ~ 5850	



	NFC	13.56	13.56
Modulation:	GSM: GMSK GPRS: GMSK EGPRS: GMSK/8PSK WCDMA RMC: QPSK HSDPA: QPSK HSUPA: QPSK DC-HSDPA:64QAM HSPA+: 16QAM LTE: QPSK / 16QAM Bluetooth: GFSK, $\pi/4$ -DQPSK, 8-DPSK Bluetooth v4.2 LE: GFSK WLAN 802.11b: DSSS WLAN 802.11a/g/n/ac: OFDM NFC: ASK		
EUT Accessory			
Adapter 1	Manufacturer: SHENZHEN TIANYIN ELECTRONICS CO.,LTD. Model: CH-21E		
Adapter 2	Manufacturer: Jiangsu Chenyang Electron Co., Ltd. Model: AD-10WE		
Adapter 3	Manufacturer: SHENZHEN TIANYIN ELECTRONICS CO.,LTD. Model: CH-21U		
Adapter 4	Manufacturer: SHENZHEN TIANYIN ELECTRONICS CO.,LTD. Model: CH-21N		
Adapter 5	Manufacturer: SHENZHEN TIANYIN ELECTRONICS CO.,LTD. Model: CH-21X		
Adapter 6	Manufacturer: SHENZHEN TIANYIN ELECTRONICS CO.,LTD. Model: CH-21A		
Adapter 7	Manufacturer: DONGGUAN AOHAI POWER TECHNOLOGY CO., LTD. Model: AD-10WR		
Adapter 8	Manufacturer: SHENZHEN TIANYIN ELECTRONICS CO.,LTD. Model: CH-21B		
Battery 1	Manufacturer: Jade Energy Technology(Zhuhai)Co., Ltd. Model: LC-620U		
Battery 2	Manufacturer: Veken Model: LC-620U		
Earphone 1	Manufacturer: Huizhou New Leader Industry Co., Ltd. Model: NLD-EM300M-03SF		
Earphone 2	Manufacturer: Xiaolin Electronics Model: XL-5178		
USB Cable 1	Manufacturer: Xiamen Li Qi Electronics Co., Ltd. Model: LQ03500090		
USB Cable 2	Manufacturer: Saibao (Jiangxi) Industrial Co. , Ltd.		



	Model: SLQ-A125A
Auxiliary test equipment	
PC	PC Manufacturer: Microsoft Corporation Model: L20170076
<p>Note: The EUT is sent from the applicant to TA and the information of the EUT is declared by the applicant.</p> <p>2. There is more than one Adapter, Battery, Earphone and USB Cable, each one should be applied throughout the compliance test respectively, and however, only the worst case (Adapter 1, Battery 1) will be recorded in this report.</p>	



## 2.3 Applied Standards

According to the specifications of the manufacturer, it must comply with the requirements of the following standards:

### Test standards

**FCC Code CFR47 Part15B (2019)**

**ANSI C63.4 (2014)**



## 2.4 Test Mode

Test Mode	
Mode 1	USB Copy(EUT with PC) + USB cable + earphone + Camera On + MP3 + GSM Receiver
Mode 2	USB Copy(EUT with PC) + USB cable + earphone + Camera On + MP3 + WCDMA Receiver
Mode 3	USB Copy(EUT with PC) + USB cable + earphone + Camera On + MP3 + LTE Receiver
Mode 4	USB Copy(EUT with PC) + USB cable + earphone + Camera On + MP3 + BT Receiver
Mode 5	USB Copy(EUT with PC) + USB cable + earphone + Camera On + MP3 + Wi-Fi Receiver
Mode 6	USB Copy(EUT with PC) + USB cable + earphone + Camera On + MP3 + GSM Receiver
Mode 7	USB Copy(EUT with PC) + USB cable + earphone + Camera On + WCDMA Receiver
Mode 8	USB Copy(EUT with PC) + USB cable + earphone + Camera On + LTE Receiver
Mode 9	USB Copy(EUT with PC) + USB cable + earphone + Camera On + BT Receiver
Mode 10	USB Copy(EUT with PC) + USB cable + earphone + Camera On + Wi-Fi Receiver
Mode 11	USB Copy(EUT with PC) + USB cable + earphone + Camera On + GSM Receiver
Mode 12	Adapter +EUT + earphone + Camera On + MP3 + GSM Receiver
Mode 13	Adapter +EUT + earphone + Camera On + GSM Receiver
Mode 14	Adapter +EUT + earphone + Camera On + WCDMA Receiver
Mode 15	Adapter +EUT + earphone + Camera On + LTE Receiver
Mode 16	Adapter +EUT + earphone + Camera On + BT Receiver
Mode 17	Adapter +EUT + earphone + Camera On + Wi-Fi Receiver

During the test, the preliminary test was performed in all modes with all frequency bands, mode 1 with GSM850 was selected as the worst mode. The test data of the worst-case condition was recorded in this report.

### 3 Test Case Results

#### 3.1 Radiated Emission

##### Ambient condition

Temperature	Relative humidity	Pressure
24°C~26°C	45%~50%	102.5kPa

##### Methods of Measurement

The EUT is placed on a non-metallic table 0.8m above the horizontal metal reference ground plane. The distance between EUT and receive antenna should be 3 meters. During the test, the EUT was operating in its typical mode. The test method is according to ANSI C63.4-2014. Sweep the whole frequency band through the range from 30MHz to the 5th harmonic of the carrier. During the test, the height of receive antenna shall be moved from 1 to 4 meters, and the antenna shall be performed under horizontal and vertical polarization. The turn table shall be rotated from 0 to 360 degrees for detecting the maximum of radiated signal level.

The data of cable loss and antenna factor has been calibrated in full testing frequency range before the testing. During the test, the EUT is worked at maximum output power.

Set the spectrum analyzer in the following:

Below 1GHz:

RBW=100 kHz / VBW=300 kHz / Sweep=AUTO

Above 1GHz:

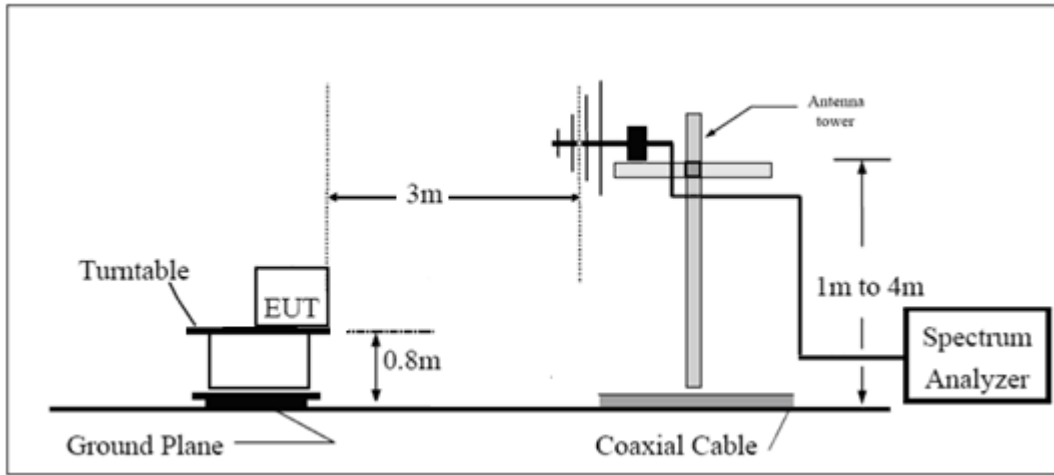
(a) PEAK Detector: RBW=1MHz / VBW=3MHz/ Sweep=AUTO

(b) AVERAGE Detector: RBW=1MHz / VBW=3MHz / Sweep=AUTO

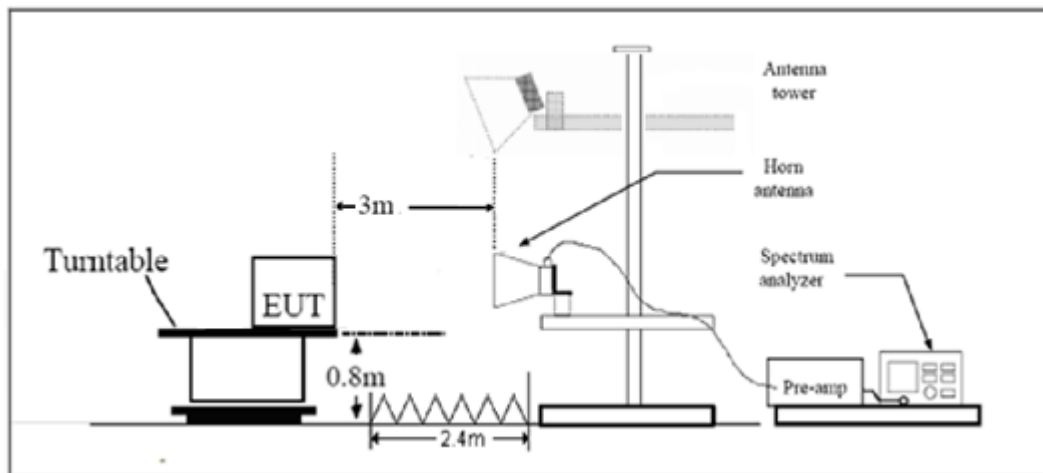
The radiated emission was measured in the following position: EUT stand-up position (Z axis), lie-down position (X, Y axis). The worst emission was found in lie-down position (X axis) and the worst case was recorded.

**Test Setup**

**Below 1GHz**



**Above 1GHz**



Note: Area side:2.4mX3.6m

Antenna Tower meets ANSI C63.4 requirements for measurements above 1 GHz by keeping the antenna aimed at the EUT during the antenna's ascent/ descent along the antenna mast.

**Limits**

Frequency (MHz)	Field Strength (dB $\mu$ V/m)	Detector
30 -88	40.0	Quasi-peak
88-216	43.5	Quasi-peak
216 – 960	46.0	Quasi-peak
960-1000	54.0	Quasi-peak
1000-5 <sup>th</sup> harmonic of the highest frequency or 40GHz, which is lower	54 74	Average Peak

**Measurement Uncertainty**

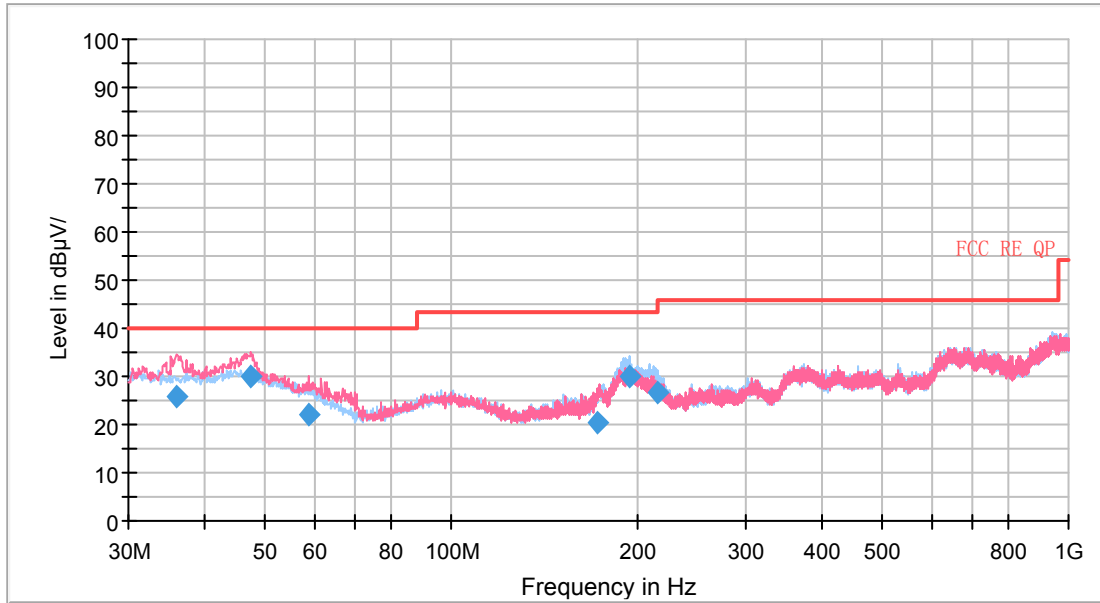
The assessed measurement uncertainty to ensure 95% confidence level for the normal distribution is with the coverage factor  $k = 1.96$ .

Frequency	Uncertainty
30MHz~200MHz	4.02 dB
200MHz~1000MHz	3.28 dB
1GHz~18GHz	3.70 dB
18GHz~26.5GHz	5.78 dB

**Test Results**

Sweep the whole frequency band through the range from 30MHz to the 5th harmonic of the carrier, the Emissions in the frequency band 18GHz- 26.5GHz is more than 20dB below the limit are not reported.

The following graphs display the maximum values of horizontal and vertical by software. For above 1GHz, Blue trace uses the peak detection, Green trace uses the average detection.

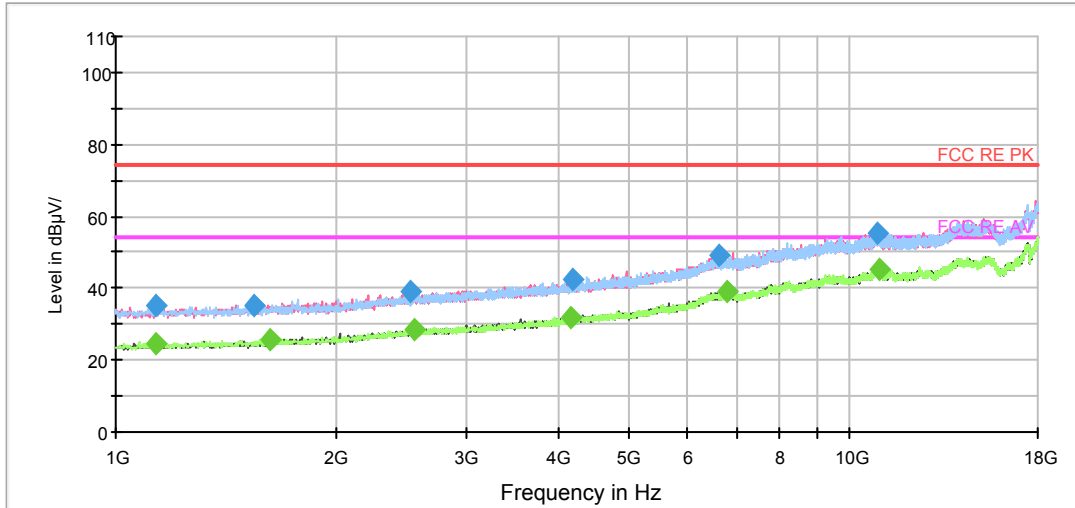


Radiated Emission from 30MHz to 1GHz

Frequency (MHz)	Quasi-Peak (dBuV/m)	Height (cm)	Polarization	Azimuth (deg)	Correct Factor (dB)	Margin (dB)	Limit (dBuV/m)
35.909550	25.81	100.0	V	98.0	3.0	14.19	40.00
47.340403	29.86	100.0	V	231.0	2.4	10.14	40.00
59.004644	22.01	100.0	V	248.0	-1.4	17.99	40.00
172.958525	20.33	100.0	V	259.0	-7.2	23.17	43.50
194.568963	30.14	100.0	H	155.0	-4.2	13.36	43.50
215.819500	26.53	109.0	H	160.0	-4.9	16.97	43.50

**Remark: 1. Correction Factor = Antenna factor+ Insertion loss(cable loss+amplifier gain)**

**2. Margin = Limit – Quasi-Peak**



Radiated Emission from 1GHz to 18GHz

Frequency (MHz)	Peak (dBuV/m)	Height (cm)	Polarization	Azimuth (deg)	Correct Factor (dB)	Margin (dB)	Limit (dBuV/m)
1133.875000	35.2	100.0	V	252.0	-11.3	38.8	74.0
1541.875000	35.2	100.0	H	276.0	-10.3	38.8	74.0
2525.750000	38.9	100.0	H	2.0	-6.4	35.1	74.0
4200.250000	42.5	100.0	V	332.0	-2.2	31.5	74.0
6641.875000	49.1	100.0	H	168.0	5.0	24.9	74.0
10887.625000	55.1	100.0	V	356.0	13.5	18.9	74.0

Frequency (MHz)	Average (dBuV/m)	Height (cm)	Polarization	Azimuth (deg)	Correct Factor (dB)	Margin (dB)	Limit (dBuV/m)
1136.000000	24.5	100.0	V	60.0	-11.3	29.5	54.0
1618.375000	25.7	100.0	H	12.0	-9.9	28.3	54.0
2555.500000	28.5	100.0	V	341.0	-6.3	25.5	54.0
4164.125000	31.7	100.0	V	341.0	-2.3	22.3	54.0
6780.000000	39.0	100.0	H	343.0	5.1	15.0	54.0
10938.625000	45.4	100.0	H	107.0	13.5	8.6	54.0

### 3.2 Conducted Emission

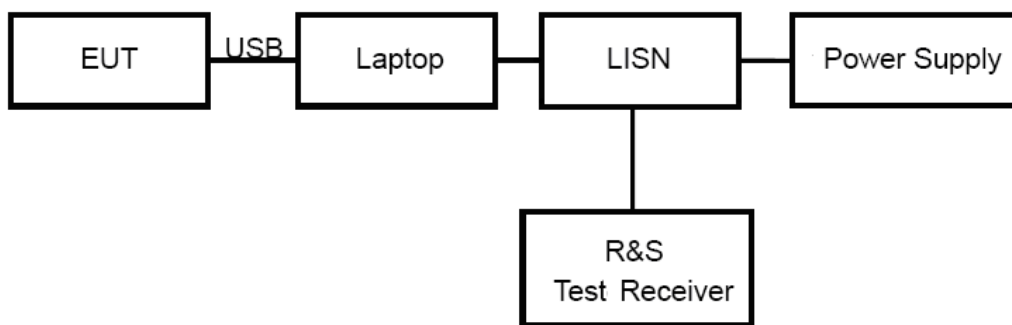
#### Ambient condition

Temperature	Relative humidity	Pressure
24°C ~26°C	50%~55%	102.5kPa

#### Methods of Measurement

The EUT is placed on a non-metallic table of 80cm height above the horizontal metal reference ground plane. During the test, the EUT was operating in its typical mode. The test method is according to ANSI C63.4-2014. Connect the AC power line of the EUT to the L.I.S.N. Use EMI receiver to detect the average and Quasi-peak value. RBW is set to 9 kHz, VBW is set to 30kHz. The measurement result should include both L line and N line.

#### Test Setup



Note: Power Supply is AC Power source and it is used to change the voltage 120V/60Hz.

#### Limits

Frequency (MHz)	Conducted Limits(dBμV)	
	Quasi-peak	Average
0.15 - 0.5	66 to 56 *	56 to 46 *
0.5 - 5	56	46
5 - 30	60	50

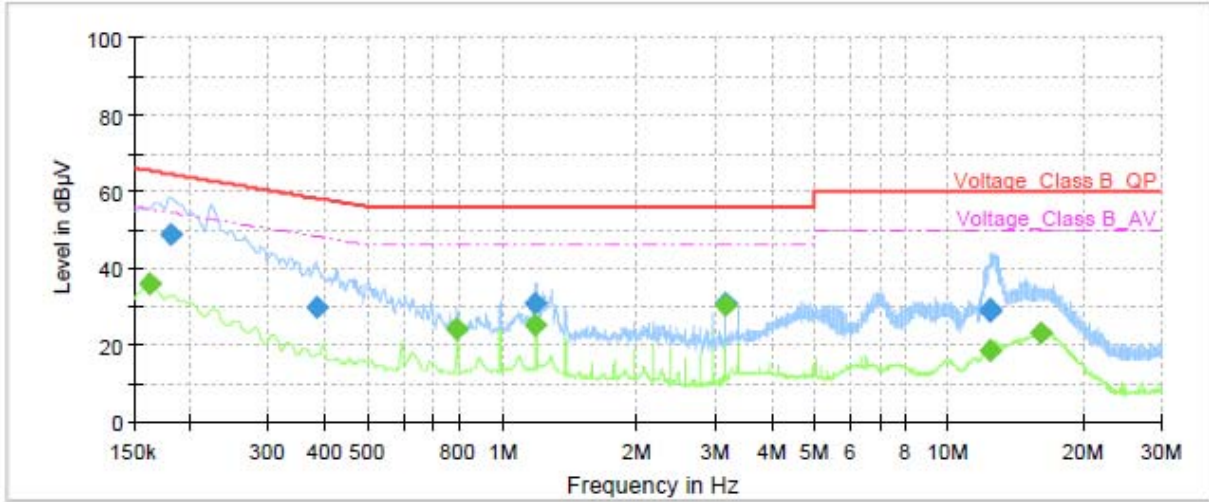
\*: Decreases with the logarithm of the frequency.

#### Measurement Uncertainty

The assessed measurement uncertainty to ensure 95% confidence level for the normal distribution is with the coverage factor  $k = 1.96$ .  $U = 2.57$  dB.

**Test Results**

Following plots, Blue trace uses the peak detection; Green trace uses the average detection.



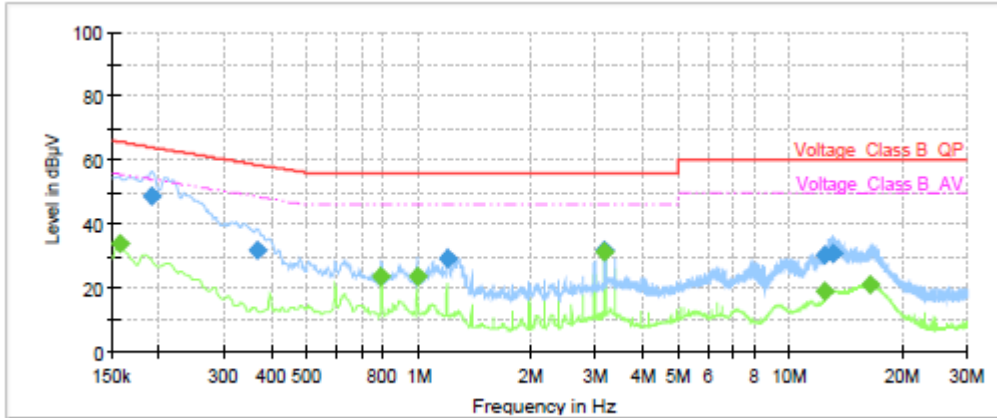
Frequency (MHz)	QuasiPeak (dBµV)	Average (dBµV)	Limit (dBµV)	Margin (dB)	Meas. Time (ms)	Bandwidth (kHz)	Line	Filter	Corr. (dB)
0.16	---	35.69	55.40	19.71	1000.0	9.000	L1	ON	19
0.18	48.71	---	64.42	15.71	1000.0	9.000	L1	ON	19
0.38	29.57	---	58.24	28.67	1000.0	9.000	L1	ON	19
0.79	---	23.86	46.00	22.14	1000.0	9.000	L1	ON	19
1.19	---	25.35	46.00	20.65	1000.0	9.000	L1	ON	19
1.19	30.92	---	56.00	25.08	1000.0	9.000	L1	ON	19
3.17	30.97	---	56.00	25.03	1000.0	9.000	L1	ON	19
3.17	---	30.02	46.00	15.98	1000.0	9.000	L1	ON	19
12.39	28.67	---	60.00	31.33	1000.0	9.000	L1	ON	19
12.39	---	18.57	50.00	31.43	1000.0	9.000	L1	ON	19
12.43	29.14	---	60.00	30.86	1000.0	9.000	L1	ON	19
16.15	---	23.17	50.00	26.83	1000.0	9.000	L1	ON	19

**Remark: Correct factor=cable loss + LISN factor**

L line

Conducted Emission from 150 KHz to 30 MHz





Frequency (MHz)	QuasiPeak (dBµV)	Average (dBµV)	Limit (dBµV)	Margin (dB)	Meas. Time (ms)	Bandwidth (kHz)	Line	Filter	Corr. (dB)
0.16	---	33.65	55.63	21.98	1000.0	9.000	N	ON	19
0.19	48.94	---	64.02	15.08	1000.0	9.000	N	ON	19
0.37	31.89	---	58.59	26.70	1000.0	9.000	N	ON	19
0.79	---	23.43	46.00	22.57	1000.0	9.000	N	ON	19
0.99	---	23.81	46.00	22.19	1000.0	9.000	N	ON	19
1.19	29.40	---	56.00	26.60	1000.0	9.000	N	ON	19
3.18	31.59	---	56.00	24.41	1000.0	9.000	N	ON	19
3.18	---	31.24	46.00	14.76	1000.0	9.000	N	ON	19
12.37	30.31	---	60.00	29.69	1000.0	9.000	N	ON	19
12.39	---	18.93	50.00	31.07	1000.0	9.000	N	ON	19
13.06	30.57	---	60.00	29.43	1000.0	9.000	N	ON	19
16.45	---	21.28	50.00	28.72	1000.0	9.000	N	ON	19

Remark: Correct factor=cable loss + LISN factor

N line

Conducted Emission from 150 KHz to 30 MHz

## 4 Main Test Instruments

Name	Manufacturer	Type	Serial Number	Calibration Date	Expiration Time
Spectrum Analyzer	R&S	FSV40	15195-01-00	2019-05-19	2020-05-18
EMI Test Receiver	R&S	ESCI	100948	2019-05-19	2020-05-18
Trilog Antenna	SCHWARZBECK	VULB 9163	9163-201	2017-11-18	2020-11-17
Horn Antenna	R&S	HF907	100126	2018-07-07	2020-07-06
Standard Gain Horn	ETS-Lindgren	3160-09	00102643	2018-06-20	2020-06-19
Standard Gain Horn	STEATITE	QSH-SL-26-40-K-15	16779	2017-07-20	2020-07-19
EMI Test Receiver	R&S	ESR	101667	2019-05-19	2020-05-18
LISN	R&S	ENV216	101171	2018-12-15	2021-12-14
Bore Sight Antenna mast	ETS	2171B	00058752	/	/
Test software	EMC32	R&S	9.26.0	/	/

\*\*\*\*\*END OF REPORT \*\*\*\*\*