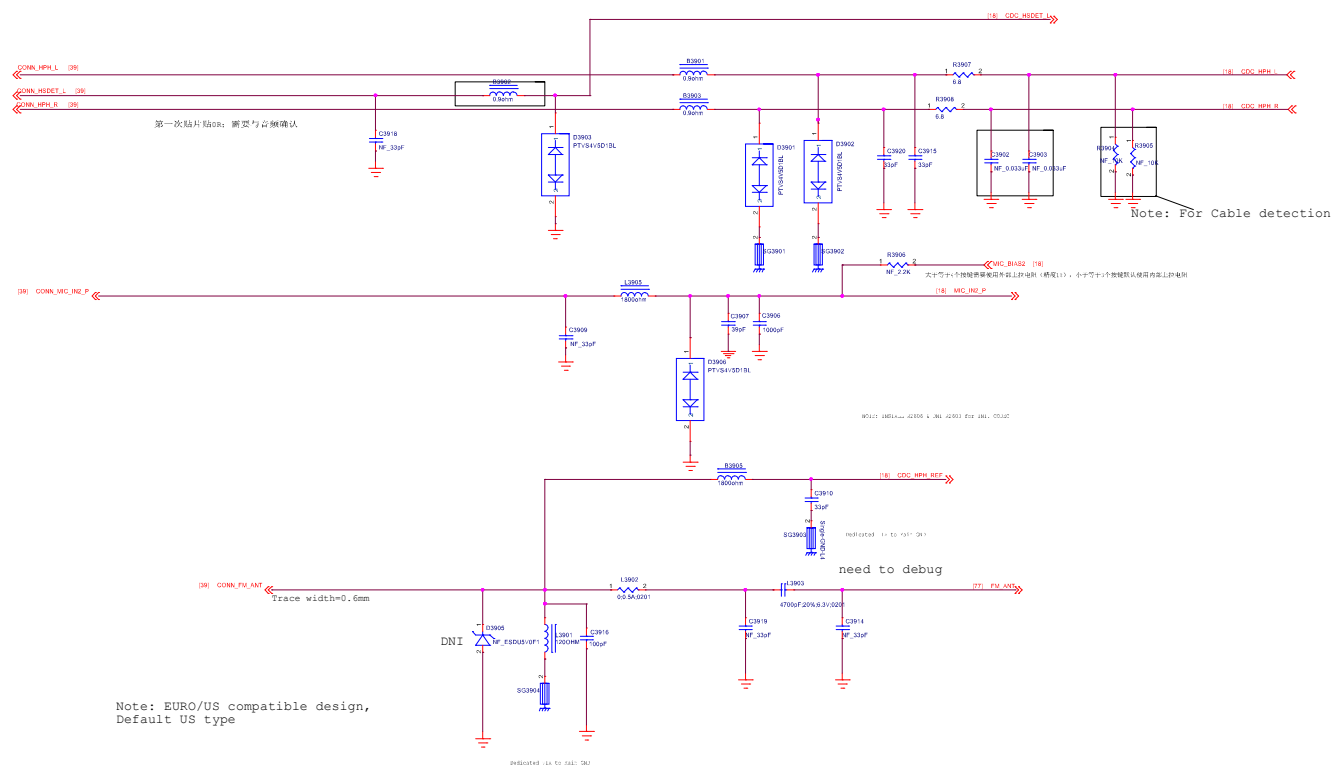




# EARPHONE

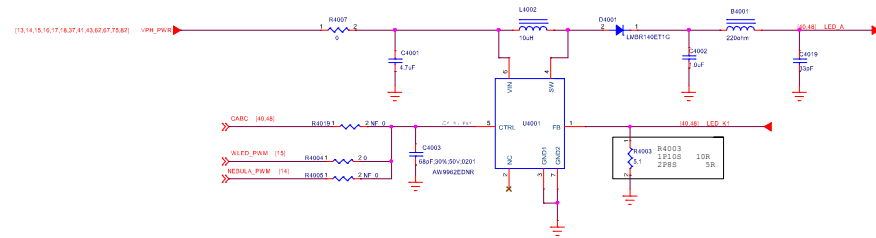


Note: EURO/US compatible design, Default US type

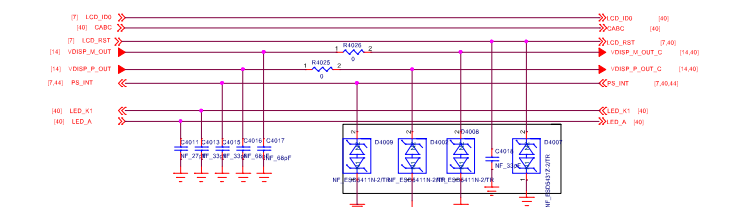
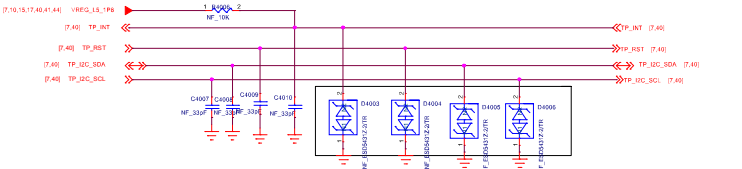
## Earphone

Title: 39.Earphone		REV: V10
DOCUMENT NO.: 80426_1_12_SKUP_HM1 TA1164		Size: D
DEPARTMENT: Wingtech-E2	DESIGNER: DESIGNER	
Date: Monday, March 25, 2019		Sheet: 39 of 12

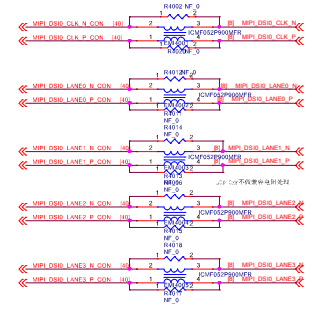
# LCD-BACKLIGHT



TP\_INT上拉供电与TP\_IOVCC保持一致; I2C也是如此;



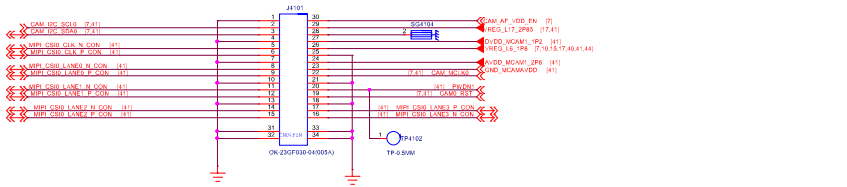
## Common Mode Filter



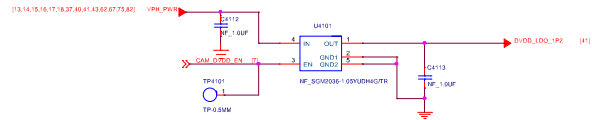
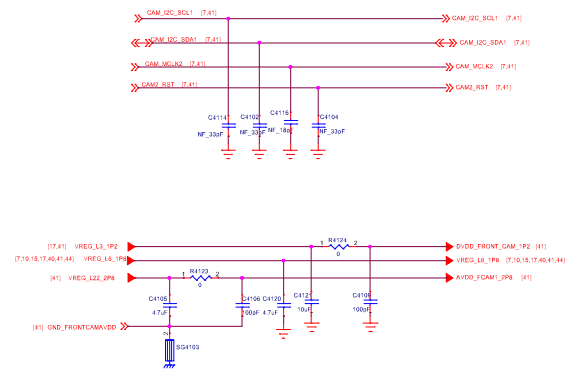
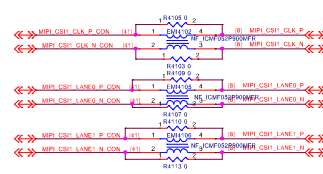
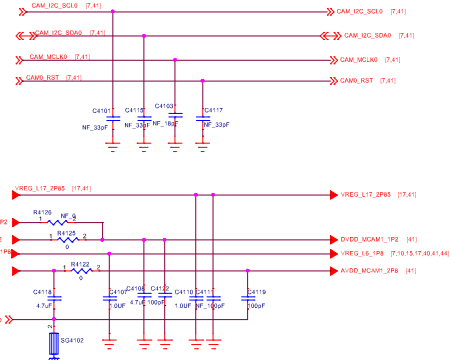
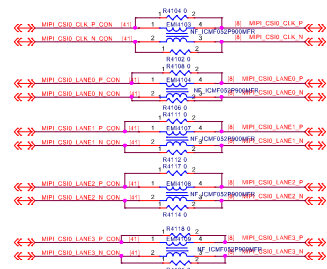
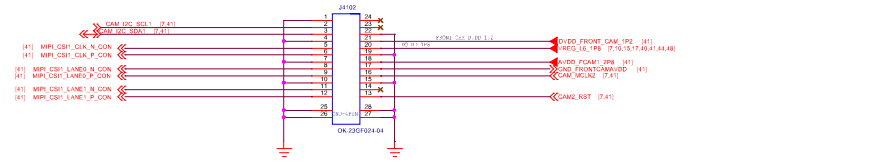
LCD/CTP IF

111x	40.LCD/CTP IF	REV: V10
DOCUMENT NO.: 80626_1_12_SKUP_MK1 TA1164		Size D
DEPARTMENT: Wjghet-82	DESIGNER: DESIGNER	
Date: Monday, March 25, 2019	Sheet	40 of 82

Main Camera



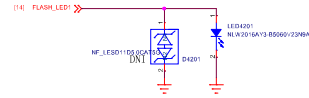
Front Camera



Camera IF

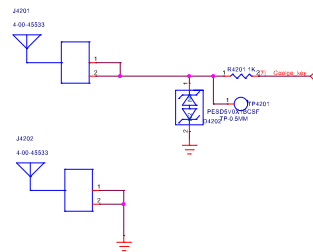
1118	41.Camera IF	REV: V10
DOCUMENT NO.: 80626_1_12 SKUP_M41 TA1164	DESIGNER: DESIGNER	Size D
DEPARTMENT: Wingtech-E2	DATE: Monday, March 25, 2019	Sheet 41 of 82

## Flash



## Button indicator

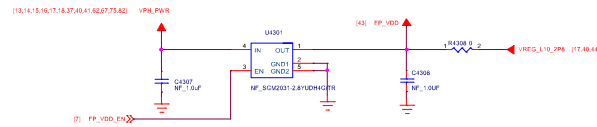
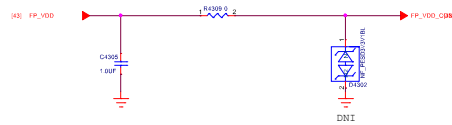
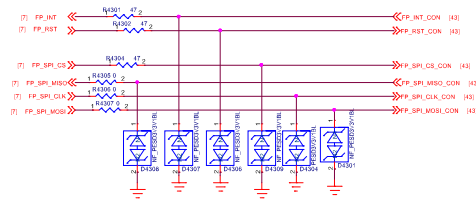
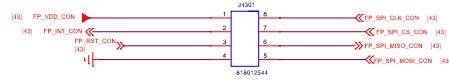
Resistor for testing RGB current



Flash/RGB

File#	42.Flash/RGB	REV: V10
DOCUMENT NO.:	80626_1_12_SKUP_HM1 TA1164	Size D
DEPARTMENT:	Wingtech-S2	DESIGNER: DESIGNER
Date:	Monday, March 25, 2019	Sheet 42 of 82

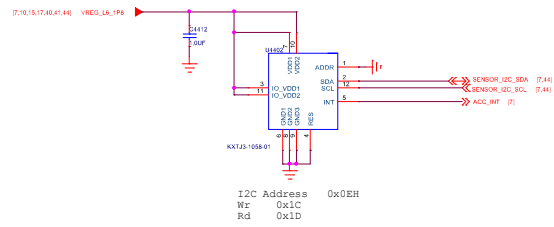
# Fingerprint CONNECT



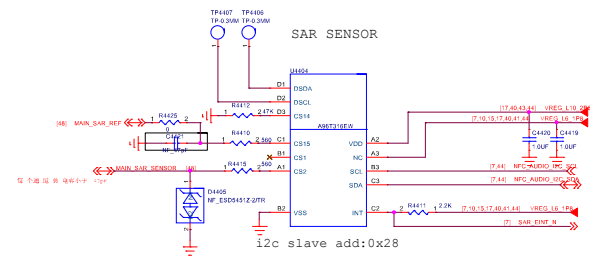
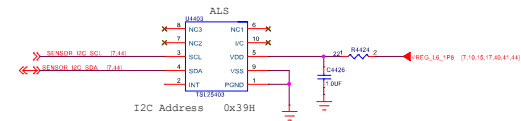
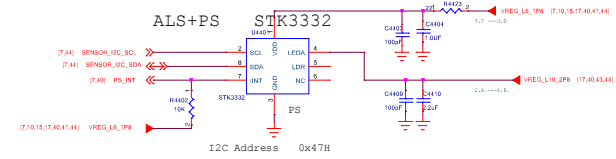
Fingerprint

Title	43.Fingerprint	REV: V10
DOCUMENT NO.:	80626_1_12_SKUP_HM1 TA1164	Size D
DEPARTMENT:	Wingtech-E2	DESIGNER: DESIGNER
		
Date:	Monday, March 25, 2019	Sheet 43 of 82

## ACCELEROMETER



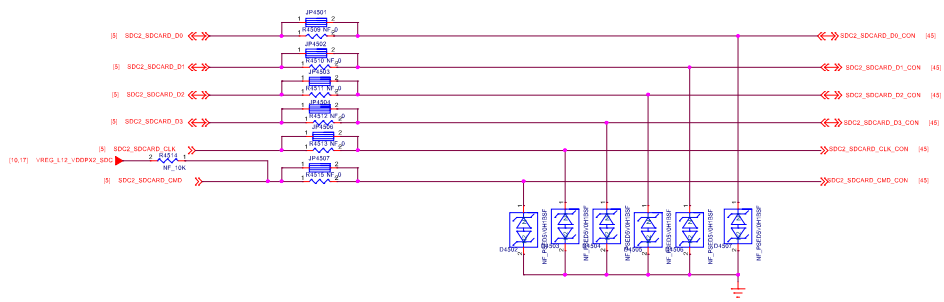
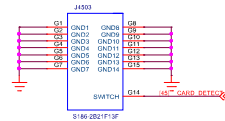
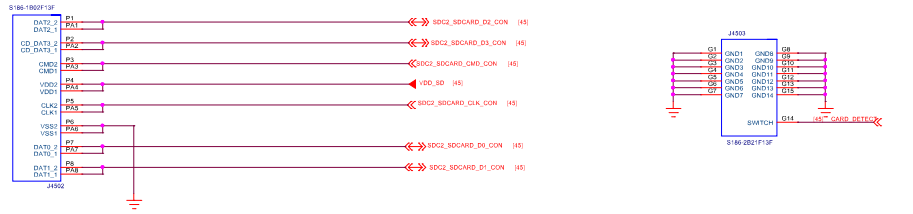
## ALS/PROXIMITY SENSOR



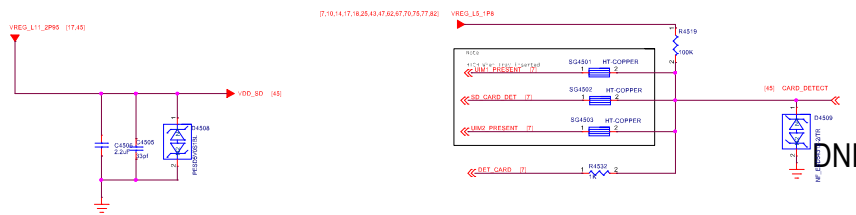
Sensor

1118	44.Sensor	REV: V10
DOCUMENT NO.: 80626_1_12_SKUP_HM1_TA1164		Size D
DEPARTMENT: Wingtech-82	DESIGNER: DESIGNER	
<b>WINGTECH</b>		
Date: Monday, March 25, 2019	Sheet	44 of 82

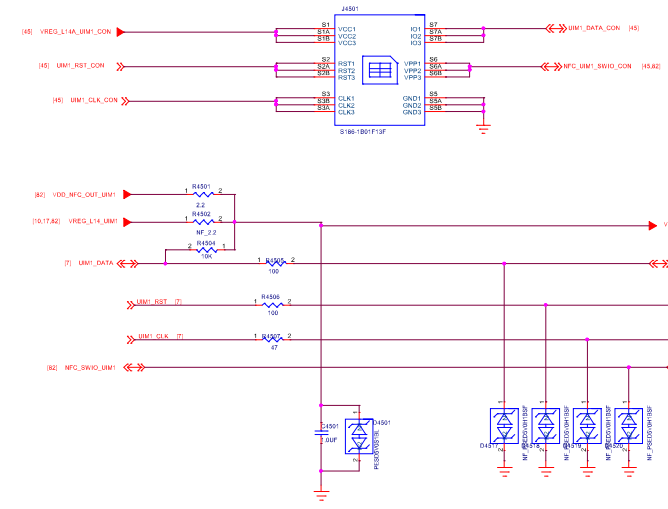
# TF CARD



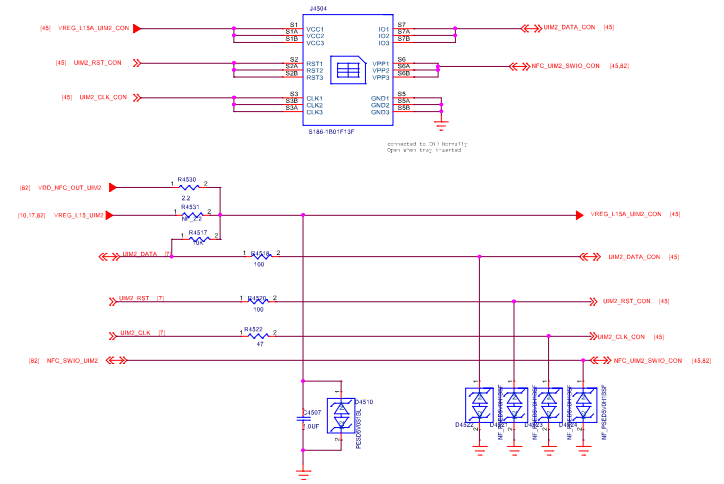
# DNI



# USIM1



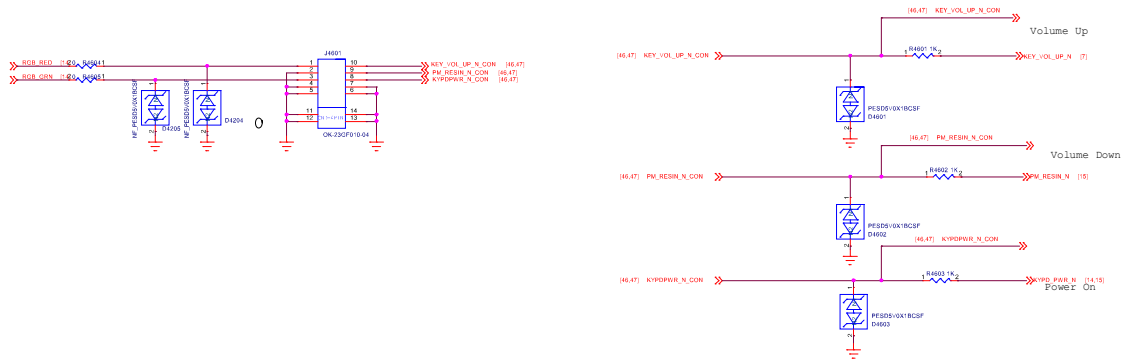
# USIM2



# SIM/TF IF

111x	45.SIM/TF IF	REV: V10
DOCUMENT NO.: 80426_1_12_SKUP_HM1_TA1164	Size D	
DEPARTMENT: Wingham-82	DESIGNER: DESIGNER	
Date: Monday, March 23, 2019	Sheet 45	of 82

## Keys

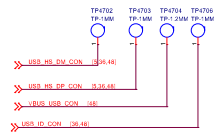


Sidekey

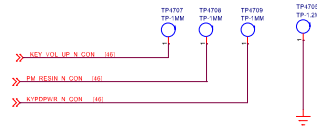
Title: <b>48.Sidekey</b>		REV: V10
DOCUMENT NO.: <b>80626_1_12_SKUP_HM1_TA1164</b>		Size: D
DEPARTMENT: <b>Wingtech-SZ</b>	DESIGNER: <b>DESIGNER</b>	
<b>WINGTECH</b>		
Date: <b>Monday, March 25, 2019</b>	Sheet: <b>48</b>	of <b>82</b>



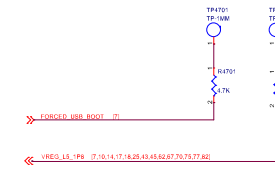
### USB



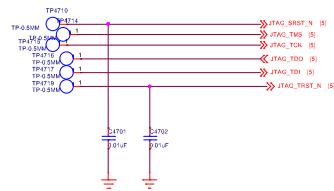
### KEYS



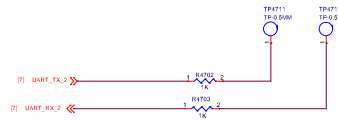
### OTHERS



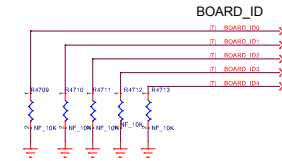
### JTAG CONNECTOR



### UART



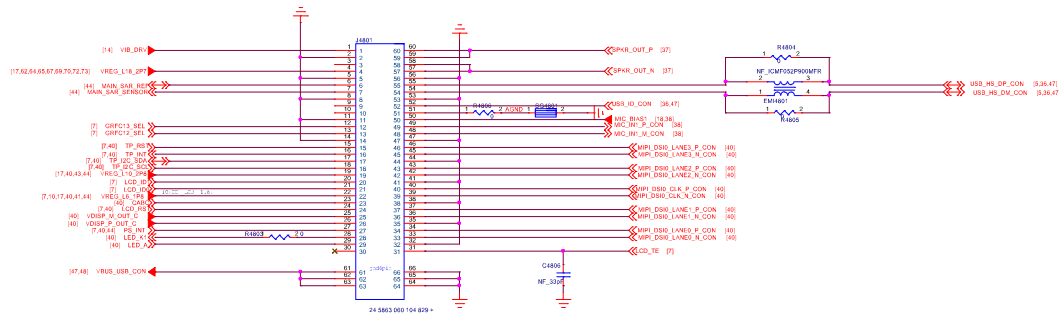
### BOARD ID



Test point

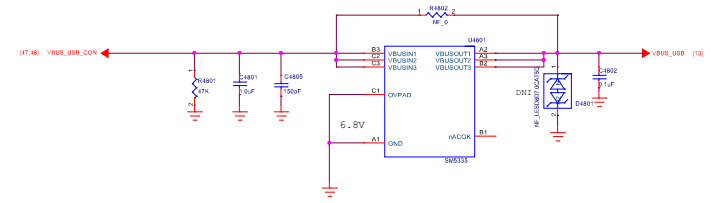
T118	47.Test point	REV: V10
DOCUMENT NO.: 80626_1_12_SKUP_HM1 TA1164		Size D
DEPARTMENT: Wingham-82	DESIGNER: DESIGNER	
Date: Monday, March 25, 2019	Sheet	47 of 82

# Sub Board Connector



# LCD-Connector

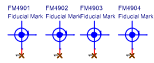
# OVP



# Sub PCB IF

48.Sub PCB IF		REV: V10
DOCUMENT NO.: 80626_1_12 SKUP_MK1 TA1164	DEPARTMENT	DESIGNER: DESIGNER
Date: Monday, March 25, 2019		Sheet 48 of 82

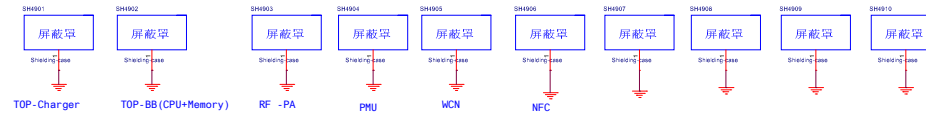
### MARK



### BADMARK



### SHIELDING



### Waterproof



### Waterproof



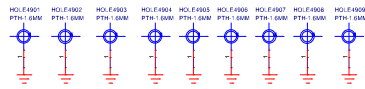
### SN Label

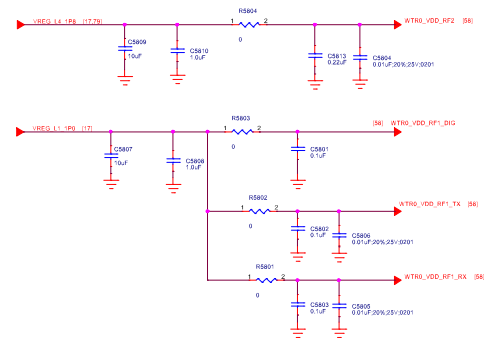
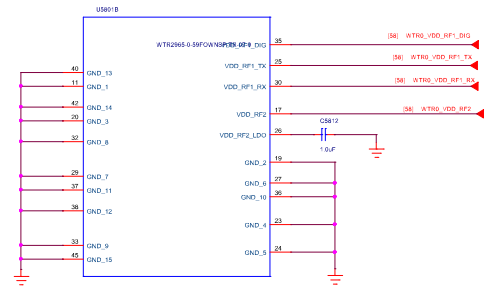


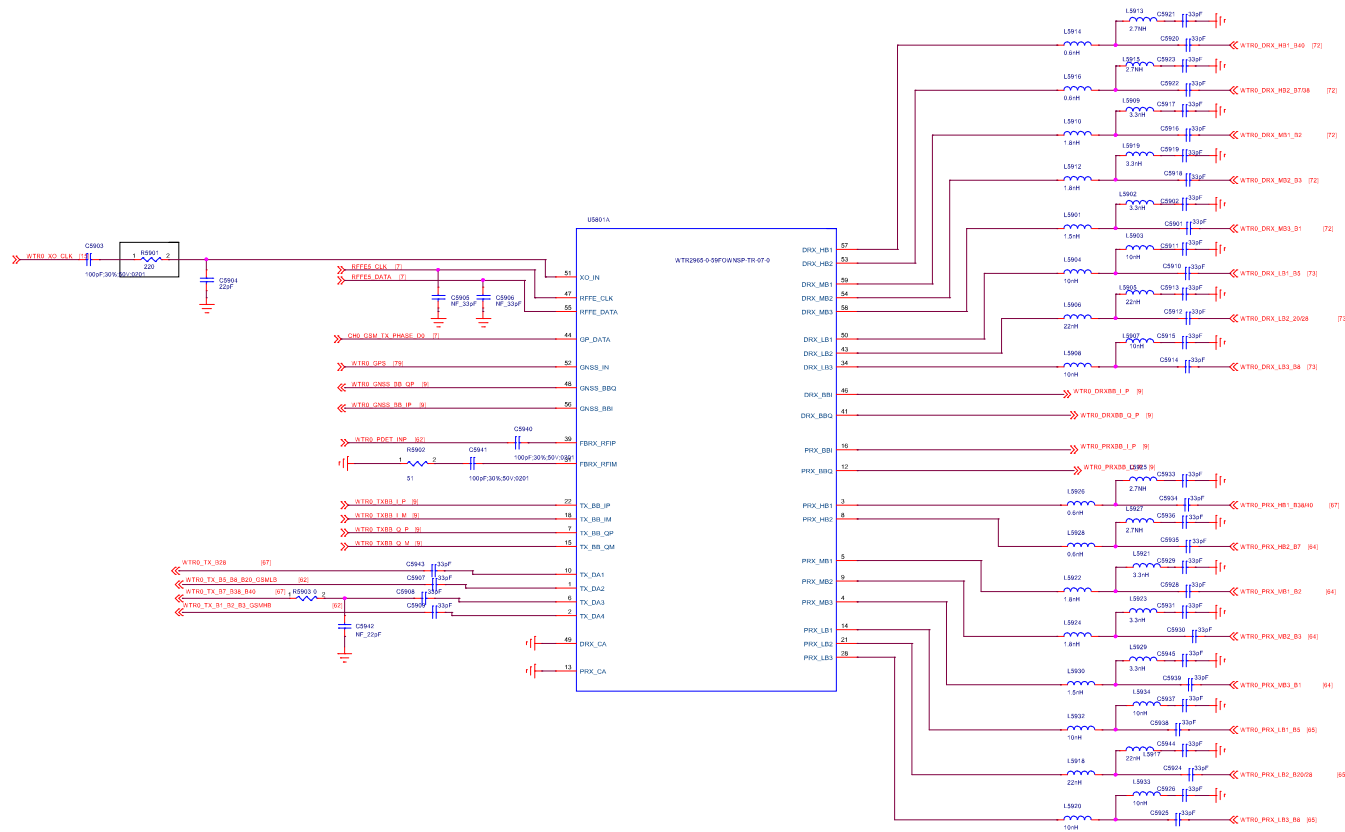
### PCB



### MIC LABEL



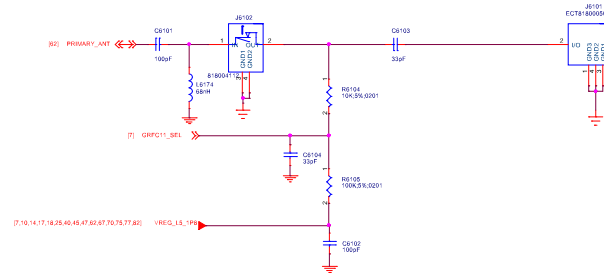




Note: A series DC-blocking capacitor is required on LNA trace to avoid direct connection of LNA input to GND

WTR2965:MSS

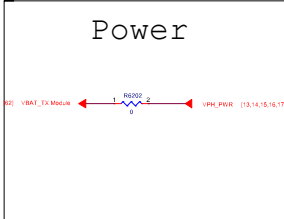
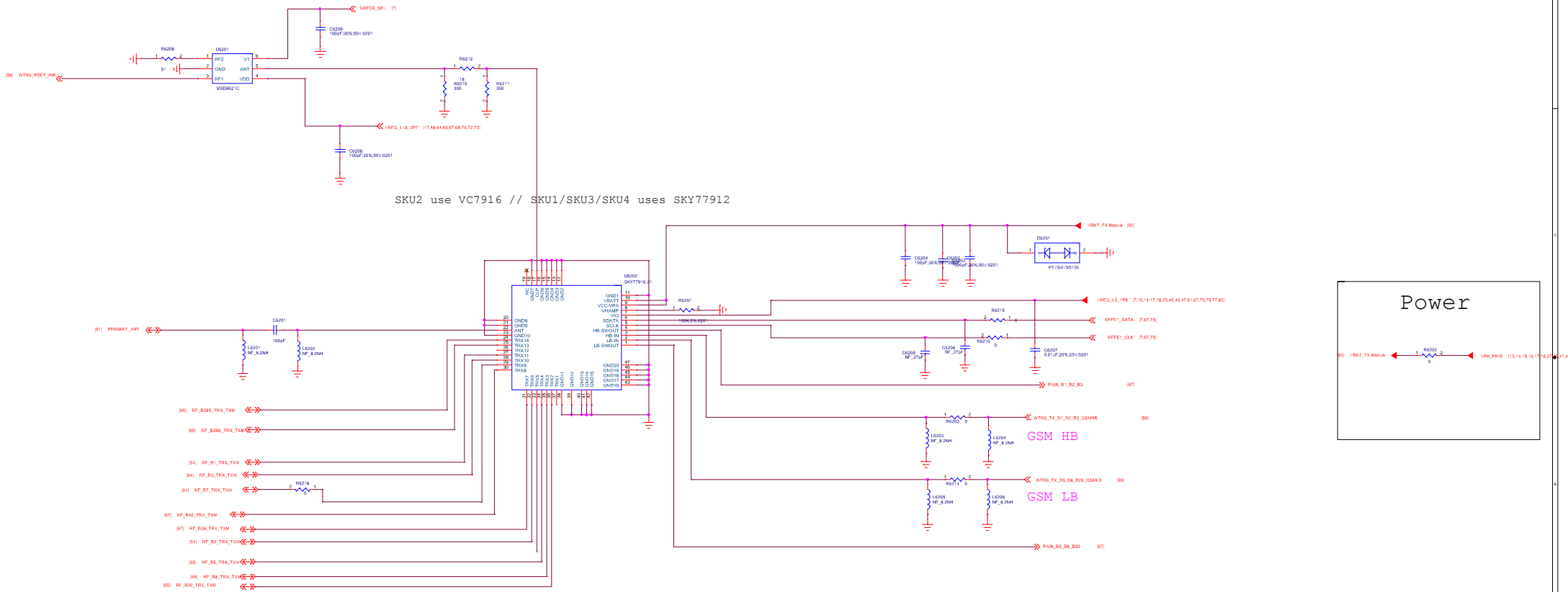
1111	59.WTR2965.MSS	REV: V10
DOCUMENT NO.: 80426_1_12 SKUP_M01 TA1164		Size D
DEPARTMENT: Wingham-82	DESIGNER: DESIGNER	
<b>WINGTECH</b>		
Date: Monday, March 25, 2019	Sheet	59 of 122



Title		<b>61.Primary Ant</b>		REV: V10	
DOCUMENT NO:		80626_1_12 SKUP_HM1 TA1164		Size D	
DEPARTMENT:		DEPARTMENT		DESIGNER: DESIGNER	
Date:		Monday, March 25, 2019		Sheet 61 of 82	

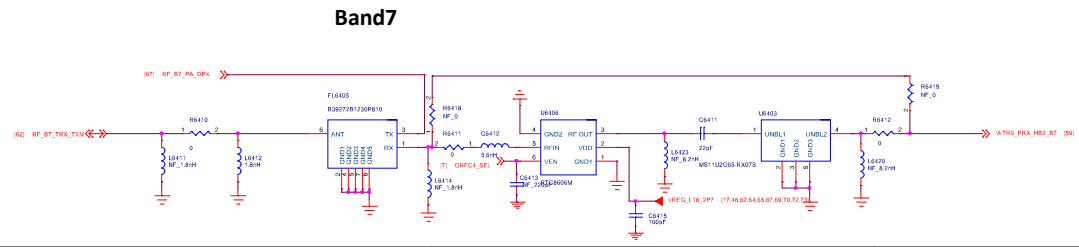
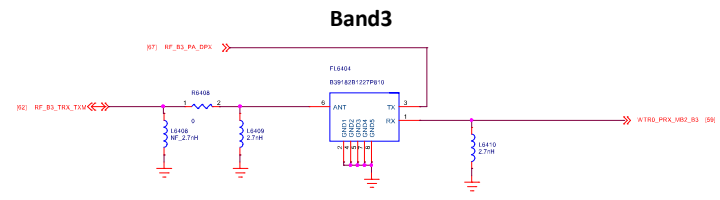
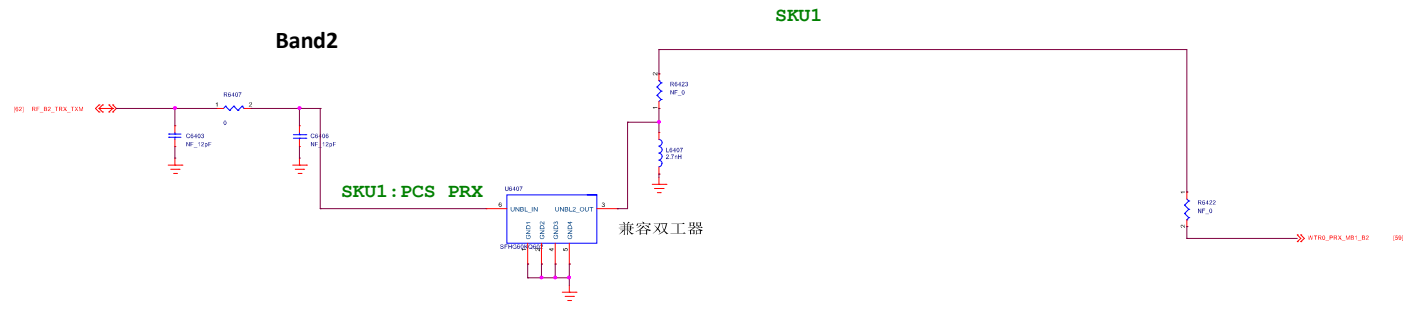
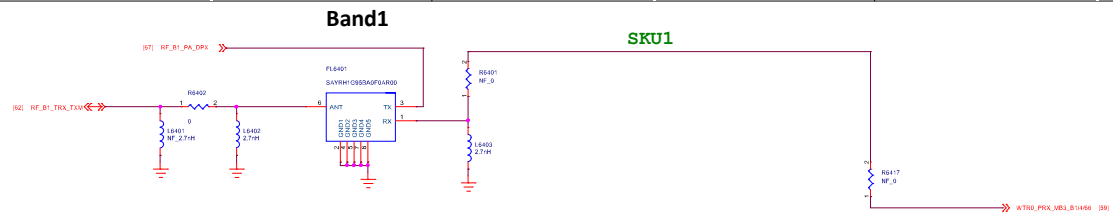


1. PCB P_L1 (RF)	0
2. PCB	1



Primary ASM

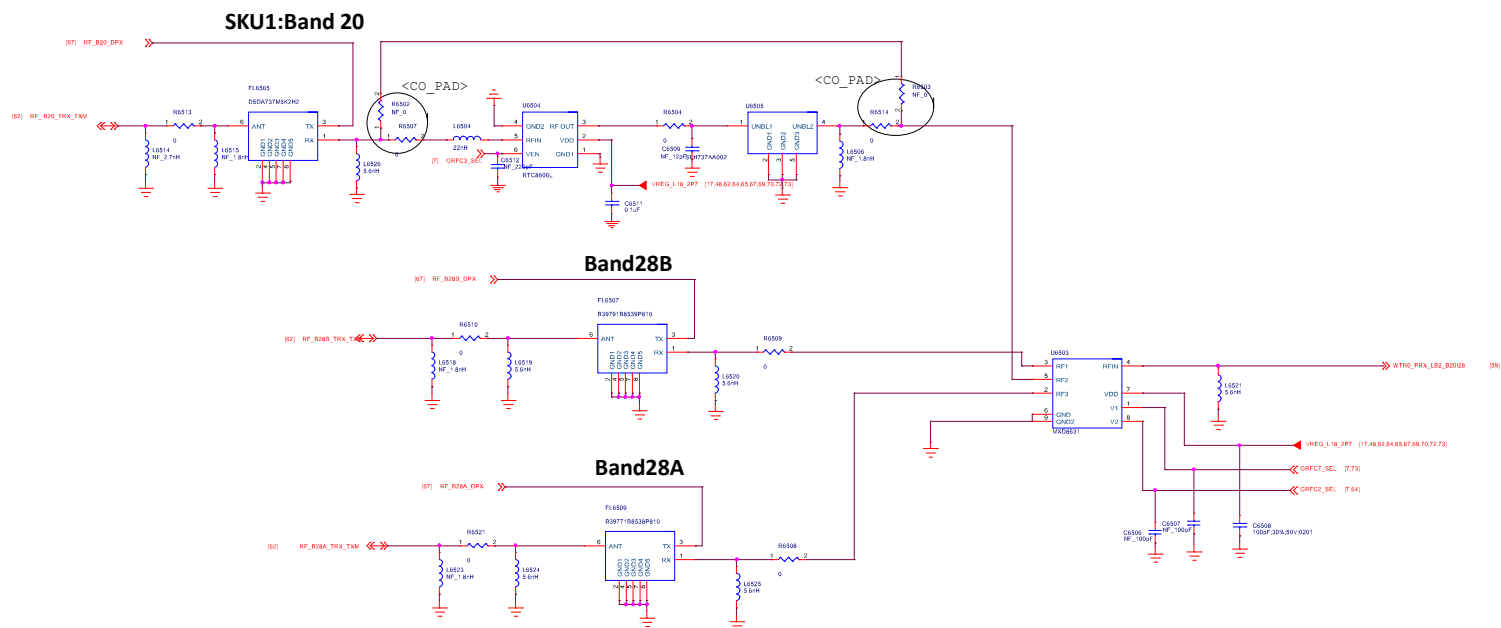
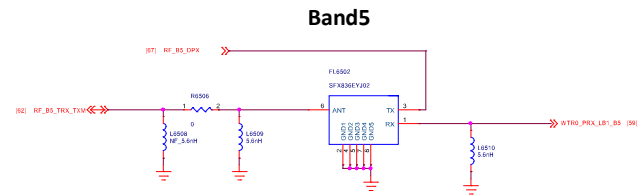
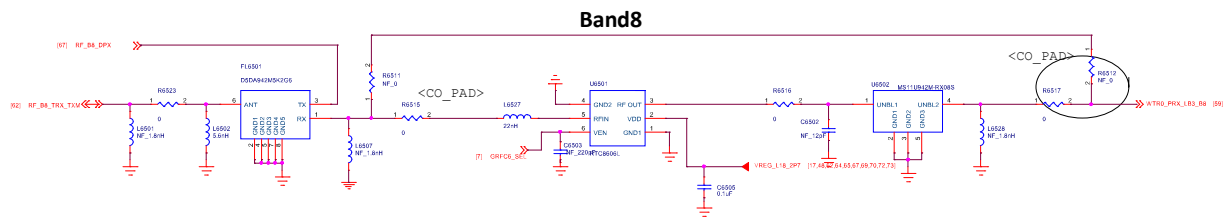
1118	62.Primary ASM	REV: V10
DOCUMENT NO.: 80426_1_12 SKU1_HK1 TA1164		Size D
DEPARTMENT: Wingham-82	DESIGNER: DESIGNER	
Date: Monday, March 25, 2019	Sheet	62 of 62



TRX\_MHB

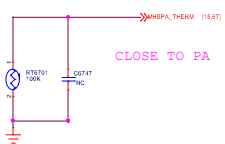
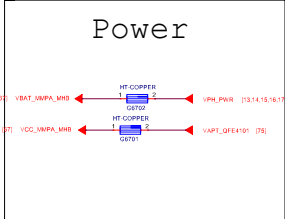
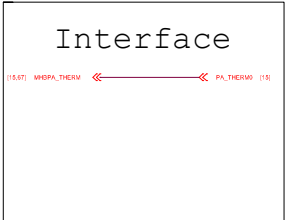
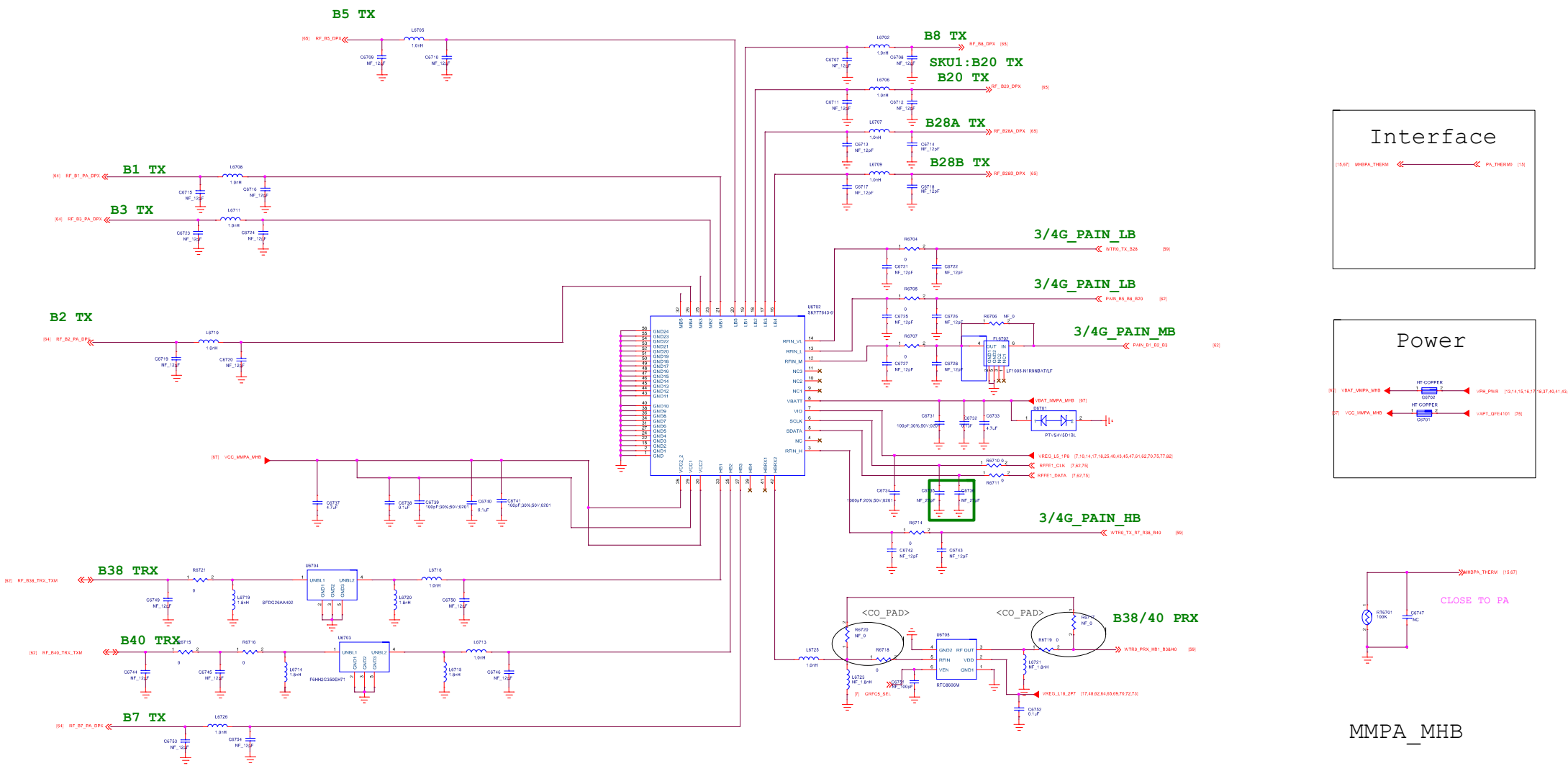
TITLE	64_TRX_MHB	REV: V10
DOCUMENT NO:	80626_1_12_SKUP_M01_TA1164	Size D
DEPARTMENT:	Wingtech-SZ	DESIGNER: DESIGNER
Date: Monday, March 25, 2019		Sheet 64 of 82





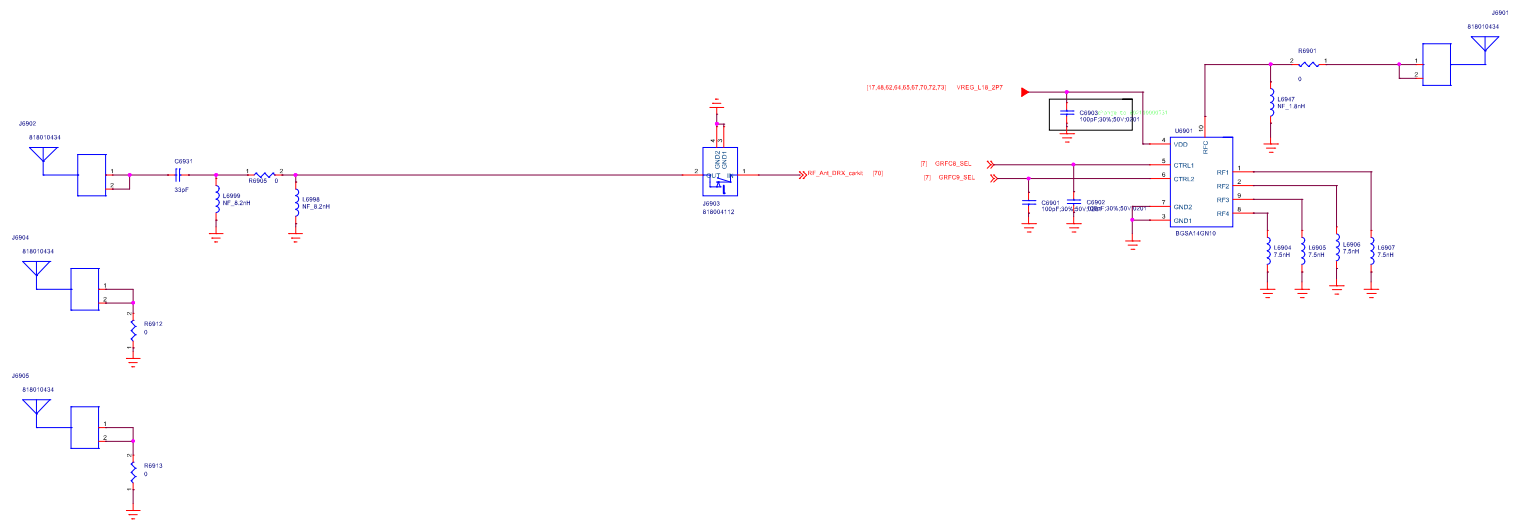
## TRX\_LB

65_TRX_LB		REV: V10
DOCUMENT NO.: 80426_1_12 SKU1_HA1 TA1164	Size D	
DEPARTMENT: WINGTECH-82	DESIGNER: DESIGNER	
Date: Monday, March 25, 2019	Sheet	65 of 92

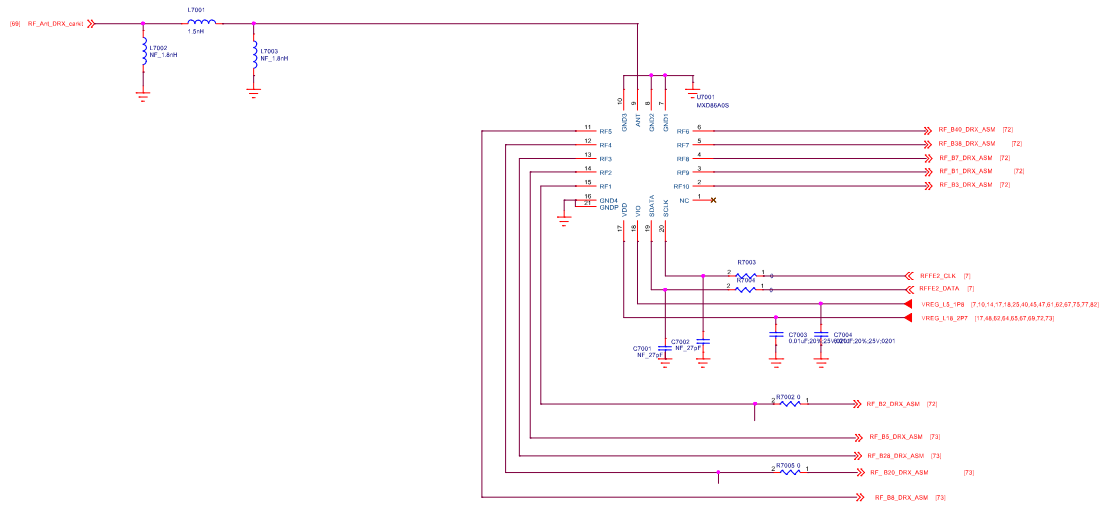


MIPA\_MHB

111x	67.MIPA_MHB	REV: V10
DOCUMENT NO.:	80626_1_12_SKUP_MK1 TA1164	Size D
DEPARTMENT:	Wingtech-82	DESIGNER: DESIGNER
Date:	Monday, March 25, 2019	Sheet 67 of 92



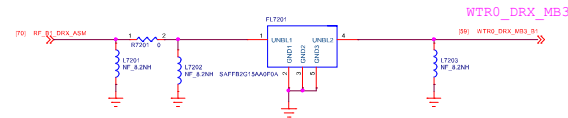
1111	<b>69-Diversity Ant</b>	REV: V10
DOCUMENT NO.: 6902_1_12_SKUP_HK1 TA1164		Size D
DEPARTMENT: DEPARTMENT	DESIGNER: DESIGNER	
<b>NEWINGTECH</b>		
Date: Monday, March 23, 2019	Sheet	69 of 82



# Diversity ASM

Title: <b>70.Diversity ASM</b>		REV: V10
DOCUMENT NO.: <b>80426_1_12_SKUP_HK1 TA1164</b>		Size D
DEPARTMENT: <b>Wingtech-E2</b>	DESIGNER: <b>DESIGNER</b>	
<b>WINGTECH</b>		
Date: <b>Monday, March 25, 2019</b>	Sheet <b>70</b>	of <b>82</b>

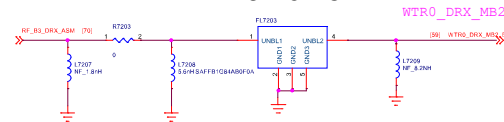
### Band 1



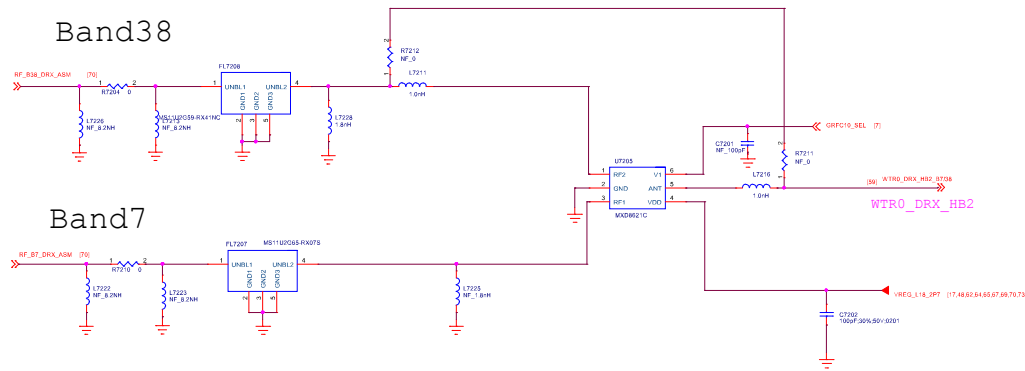
### Band 2



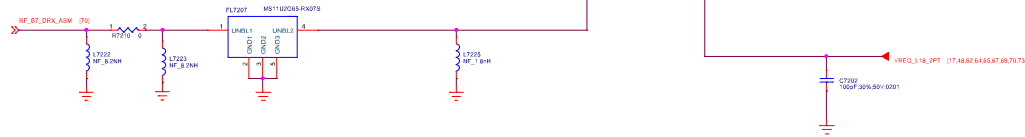
### Band 3



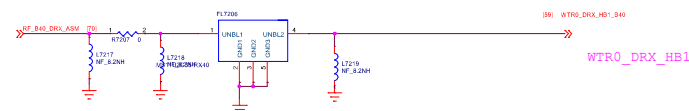
### Band38



### Band7



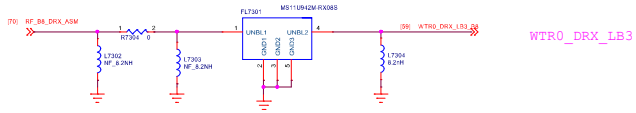
### Band40



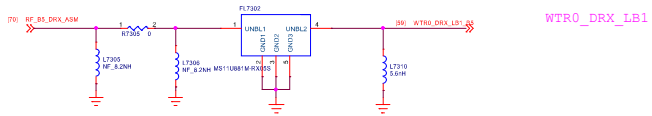
DRX\_MHB

Title		REV: V10	
DOCUMENT NO.: 80626_1_12 DRX_MHB TA1164		Size D	
DEPARTMENT: Wireless-82		DESIGNER: DESIGNER	
Date: Monday, March 25, 2019		Sheet 72 of 92	

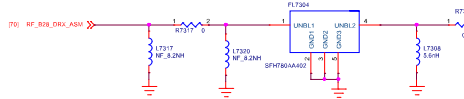
### Band 8



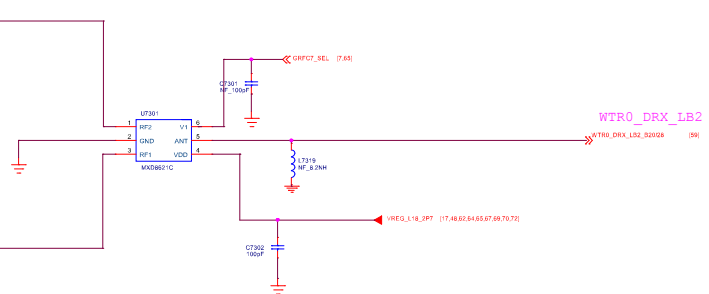
### Band 5



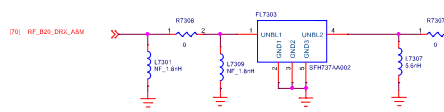
### Band 28



### SKU1 NF switch



### Band B20



## DRX\_LB

Title	73.DRX_LB	REV	V10
DOCUMENT NO.	80626_1_12 SKU1_MK1 TA1164	Size	D
DEPARTMENT	Wingtech-SZ	DESIGNER	DESIGNER
Date	Monday, March 25, 2019	Sheet	73 of 92

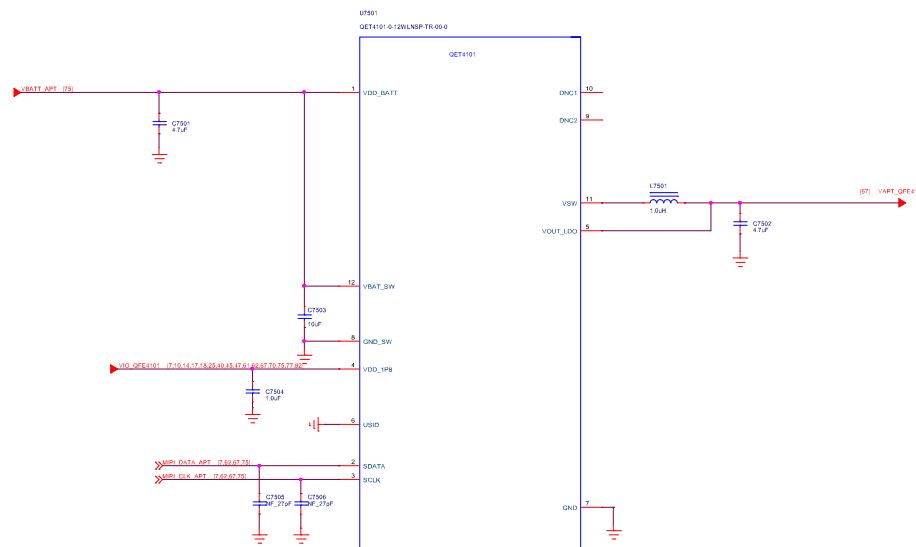
RF Port

Interface

MPM\_DATA\_APT << RFFE\_DATA [7:62:07]  
MPM\_CLK\_APT << RFFE\_CLK [7:62:07]

Power

VDD\_QFE4101 [7:10:14:17:18:25:40:45:47:61:62:67:70:75:78:81] << VREG\_L3\_1P8 [7:10:14:17:18:25:40:45:47:61:62:67:70:75:78:81]  
V\_BATT\_APT [75] << VPH\_PWR [13:14:15:16:17:18:27:40:41:43:62:67:81]

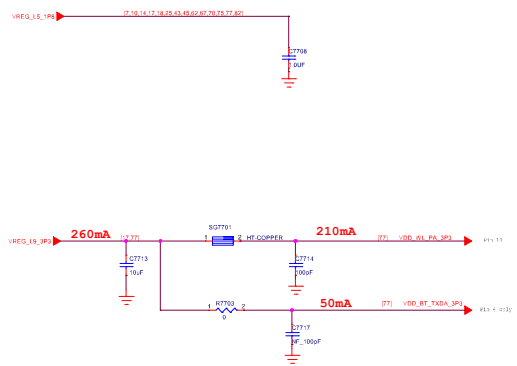
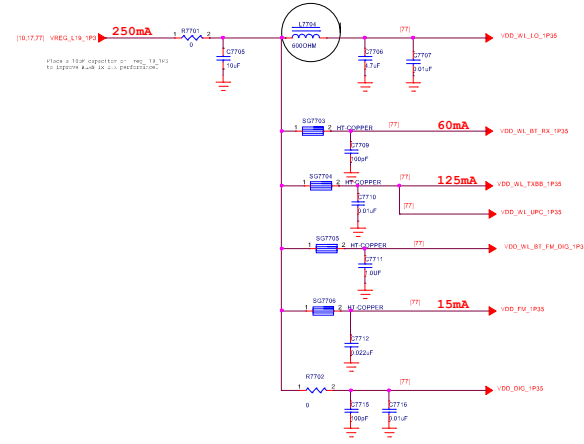
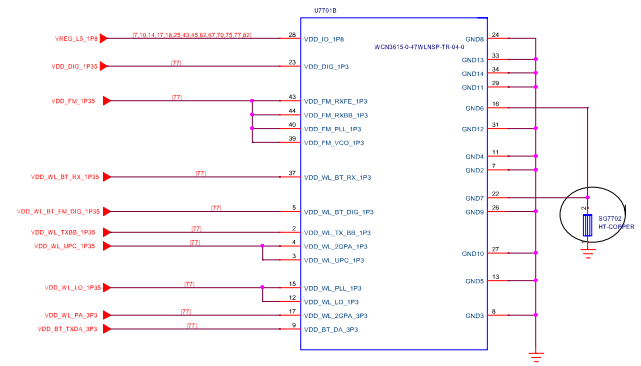
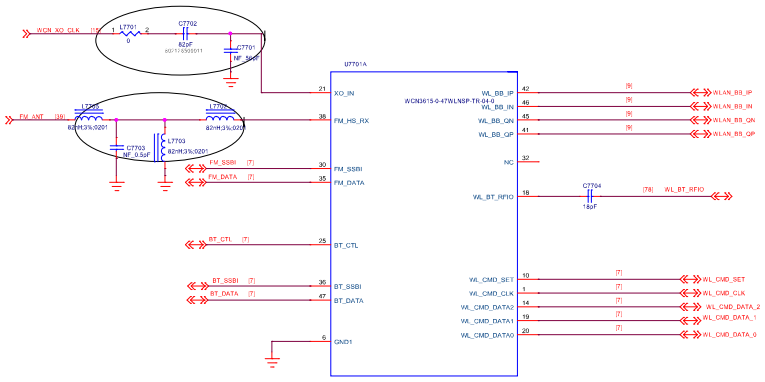


111x	<b>75.ET_APT</b>	REV: V10
DOCUMENT NO.:	80426_1_12_SKUP_HK1 TA1164	Size D
DEPARTMENT:	DEPARTMENT	DESIGNER: DESIGNER
Date:	Monday, March 25, 2019	Sheet 75 of 82

RF Port

Interface

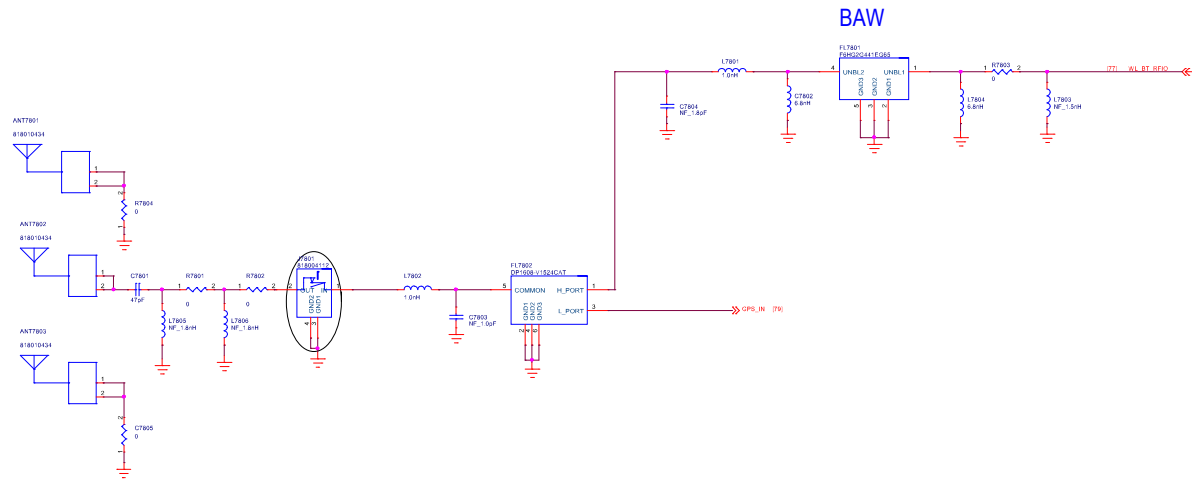
Power



WCN3615\_IC

File:	77.WCN3615_IC	REV: V10
DOCUMENT NO.:	80626_1_12_SKUP_HK1 TA1164	Size D
DEPARTMENT:	Wingtech-S2	DESIGNER: DESIGNER
Date:	Monday, March 25, 2019	Sheet 77 of 82





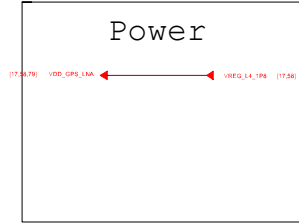
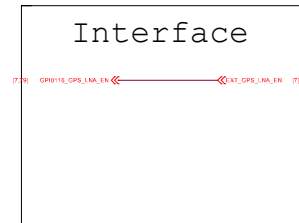
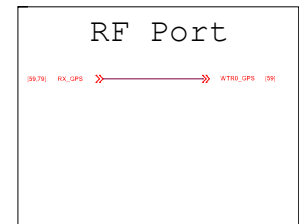
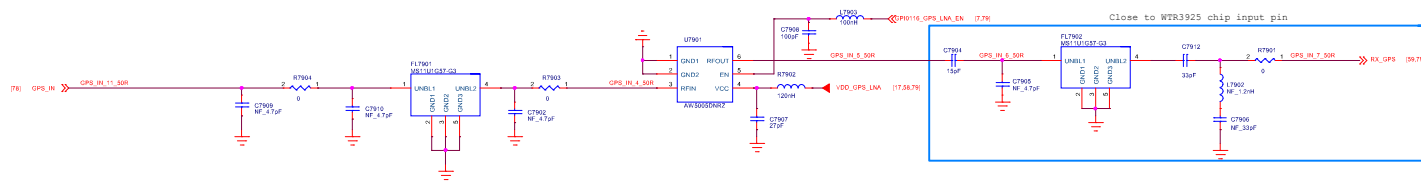
RF Port

Interface

Power

WIFI\_RF

FILE:	78.WIFI_RF	REV:	V10
DOCUMENT NO.:	80626_1_12_SKUP_HK1 TA1164	SIZE:	D
DEPARTMENT:	Wingtech-SZ	DESIGNER:	DESIGNER
Date:	Monday, March 25, 2019	Sheet	78 of 82



1114	<b>79.GPS</b>	REV: V10
DOCUMENT NO.:	80626_1_12 SKUP_HK1 TA1164	Size D
DEPARTMENT:	DEPARTMENT	DESIGNER: DESIGNER
<b>WINGTECH</b>		
Date:	Monday, March 25, 2019	Sheet 79 of 82