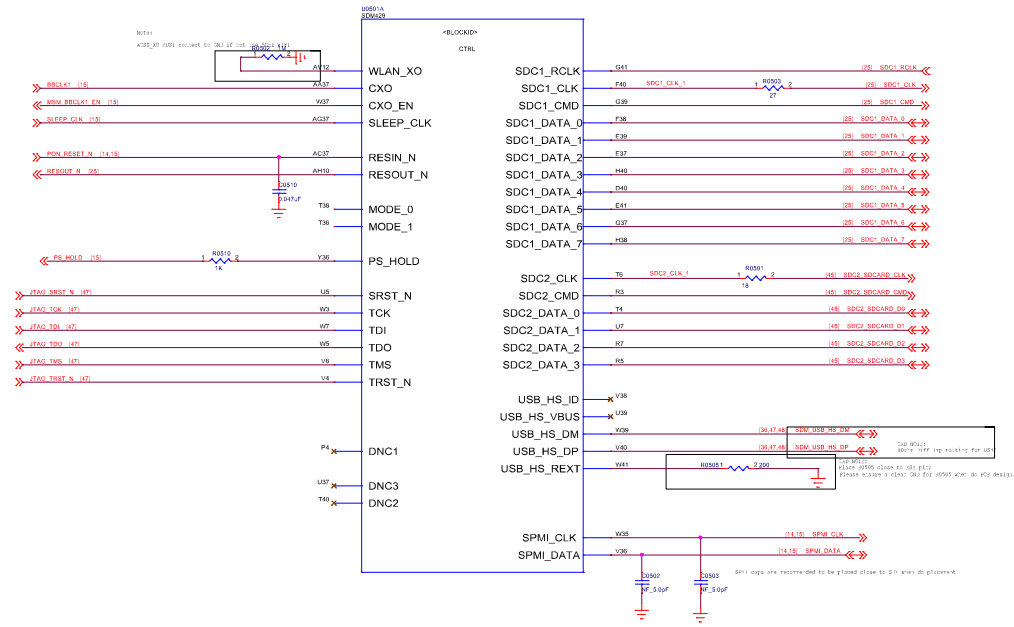
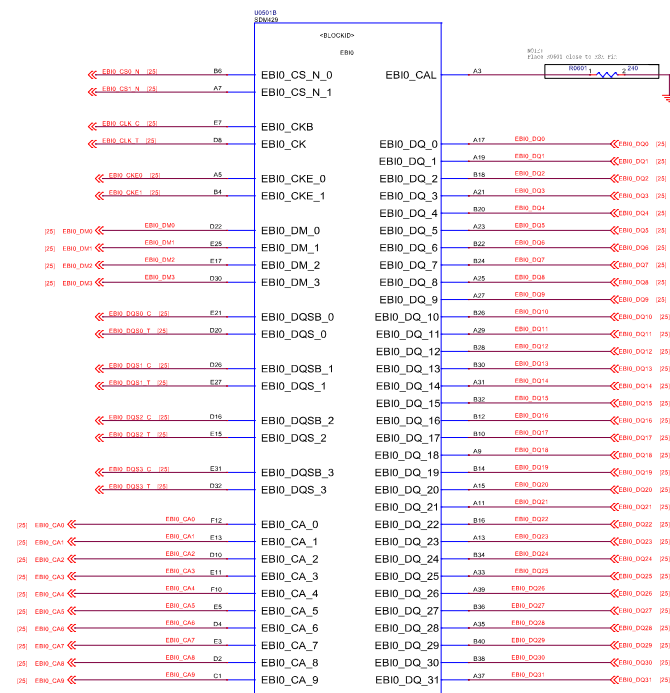


Block Diagram



## SDM429 Control

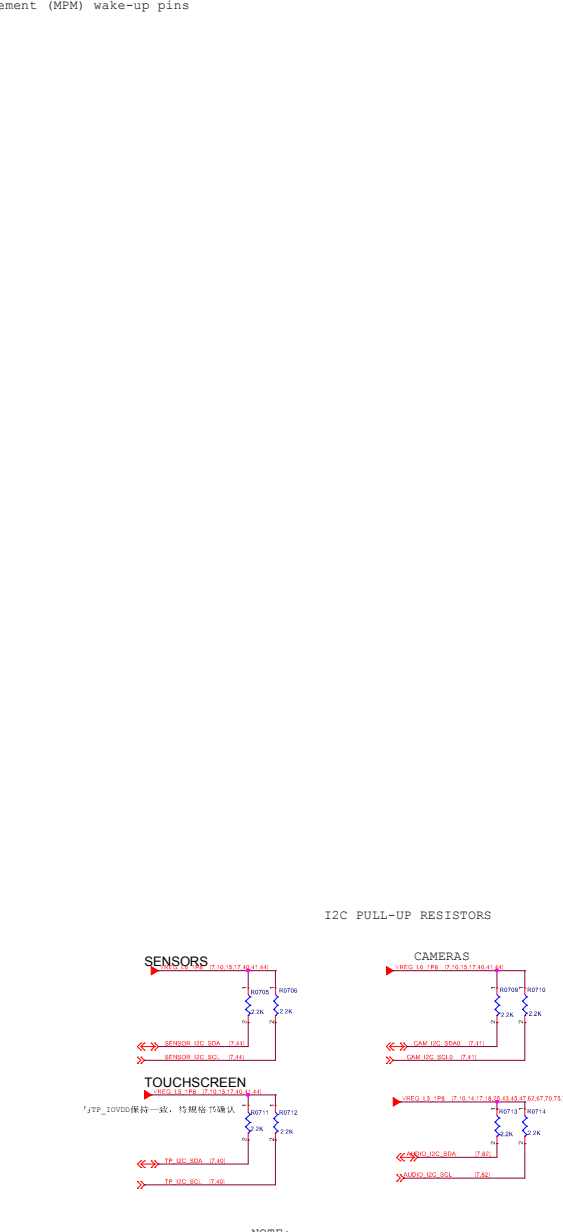
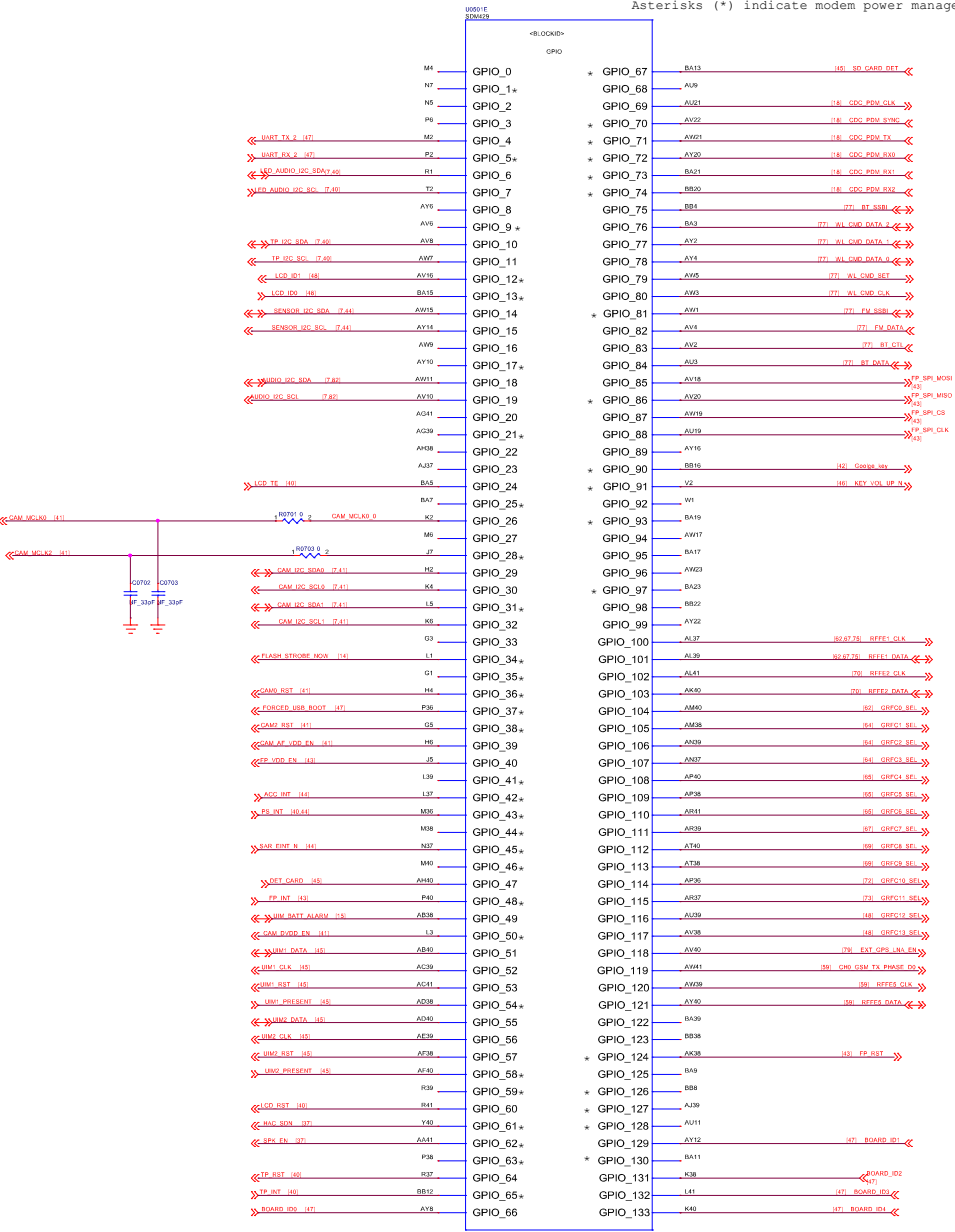
1118	<b>05.SDM429</b>	REV: V10
DOCUMENT NO.: 80426_1_12 SKUP_HM1 TA1164		Size D
DEPARTMENT: Wingtech-E2	DESIGNER: DESIGNER	
Date: Monday, March 25, 2019	Sheet	5 of 12



# SDM429 EBI

Title	06.SDM429 EBI	REV: 1/16
DOCUMENT NO.:	89628_1_12 BRD_MAT TA1164	Size D
DEPARTMENT:	Wright-SE	DESIGNER: DESIGNER
Date:	Monday, March 23, 2010	Sheet 0 of 82

NOTE:  
Asterisks (\*) indicate modem power management (MPM) wake-up pins

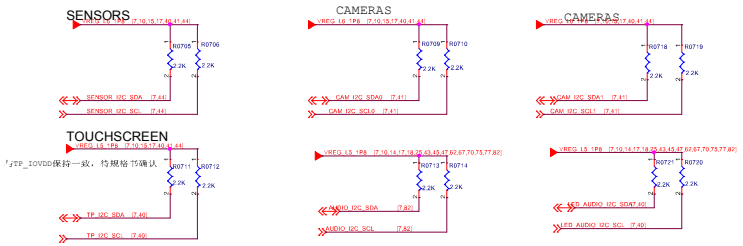


GPIO_0	GPIO_133
GPIO_1	GPIO_132
GPIO_2	GPIO_131
GPIO_3	GPIO_130
GPIO_4	GPIO_129
GPIO_5	GPIO_128
GPIO_6	GPIO_127
GPIO_7	GPIO_126
GPIO_8	GPIO_125
GPIO_9	GPIO_124
GPIO_10	GPIO_123
GPIO_11	GPIO_122
GPIO_12	GPIO_121
GPIO_13	GPIO_120
GPIO_14	GPIO_119
GPIO_15	GPIO_118
GPIO_16	GPIO_117
GPIO_17	GPIO_116
GPIO_18	GPIO_115
GPIO_19	GPIO_114
GPIO_20	GPIO_113
GPIO_21	GPIO_112
GPIO_22	GPIO_111
GPIO_23	GPIO_110
GPIO_24	GPIO_109
GPIO_25	GPIO_108
GPIO_26	GPIO_107
GPIO_27	GPIO_106
GPIO_28	GPIO_105
GPIO_29	GPIO_104
GPIO_30	GPIO_103
GPIO_31	GPIO_102
GPIO_32	GPIO_101
GPIO_33	GPIO_100
GPIO_34	GPIO_99
GPIO_35	GPIO_98
GPIO_36	GPIO_97
GPIO_37	GPIO_96
GPIO_38	GPIO_95
GPIO_39	GPIO_94
GPIO_40	GPIO_93
GPIO_41	GPIO_92
GPIO_42	GPIO_91
GPIO_43	GPIO_90
GPIO_44	GPIO_89
GPIO_45	GPIO_88
GPIO_46	GPIO_87
GPIO_47	GPIO_86
GPIO_48	GPIO_85
GPIO_49	GPIO_84
GPIO_50	GPIO_83
GPIO_51	GPIO_82
GPIO_52	GPIO_81
GPIO_53	GPIO_80
GPIO_54	GPIO_79
GPIO_55	GPIO_78
GPIO_56	GPIO_77
GPIO_57	GPIO_76
GPIO_58	GPIO_75
GPIO_59	GPIO_74
GPIO_60	GPIO_73
GPIO_61	GPIO_72
GPIO_62	GPIO_71
GPIO_63	GPIO_70
GPIO_64	GPIO_69
GPIO_65	GPIO_68
GPIO_66	GPIO_67

GPIO_133	GPIO_132
GPIO_132	GPIO_131
GPIO_131	GPIO_130
GPIO_130	GPIO_129
GPIO_129	GPIO_128
GPIO_128	GPIO_127
GPIO_127	GPIO_126
GPIO_126	GPIO_125
GPIO_125	GPIO_124
GPIO_124	GPIO_123
GPIO_123	GPIO_122
GPIO_122	GPIO_121
GPIO_121	GPIO_120
GPIO_120	GPIO_119
GPIO_119	GPIO_118
GPIO_118	GPIO_117
GPIO_117	GPIO_116
GPIO_116	GPIO_115
GPIO_115	GPIO_114
GPIO_114	GPIO_113
GPIO_113	GPIO_112
GPIO_112	GPIO_111
GPIO_111	GPIO_110
GPIO_110	GPIO_109
GPIO_109	GPIO_108
GPIO_108	GPIO_107
GPIO_107	GPIO_106
GPIO_106	GPIO_105
GPIO_105	GPIO_104
GPIO_104	GPIO_103
GPIO_103	GPIO_102
GPIO_102	GPIO_101
GPIO_101	GPIO_100
GPIO_100	GPIO_99
GPIO_99	GPIO_98
GPIO_98	GPIO_97
GPIO_97	GPIO_96
GPIO_96	GPIO_95
GPIO_95	GPIO_94
GPIO_94	GPIO_93
GPIO_93	GPIO_92
GPIO_92	GPIO_91
GPIO_91	GPIO_90
GPIO_90	GPIO_89
GPIO_89	GPIO_88
GPIO_88	GPIO_87
GPIO_87	GPIO_86
GPIO_86	GPIO_85
GPIO_85	GPIO_84
GPIO_84	GPIO_83
GPIO_83	GPIO_82
GPIO_82	GPIO_81
GPIO_81	GPIO_80
GPIO_80	GPIO_79
GPIO_79	GPIO_78
GPIO_78	GPIO_77
GPIO_77	GPIO_76
GPIO_76	GPIO_75
GPIO_75	GPIO_74
GPIO_74	GPIO_73
GPIO_73	GPIO_72
GPIO_72	GPIO_71
GPIO_71	GPIO_70
GPIO_70	GPIO_69
GPIO_69	GPIO_68
GPIO_68	GPIO_67
GPIO_67	GPIO_66

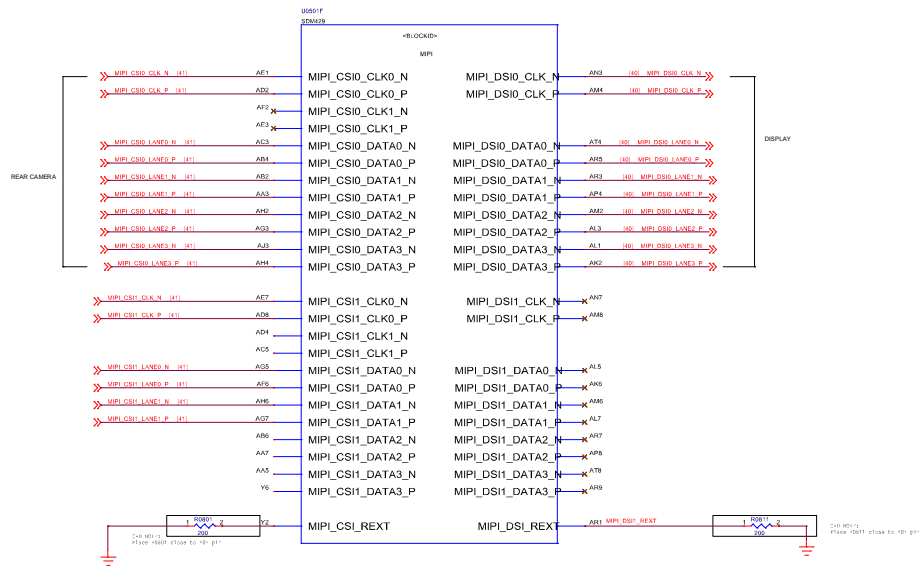
Default pull-up resistors are 2.2kΩ

I2C PULL-UP RESISTORS



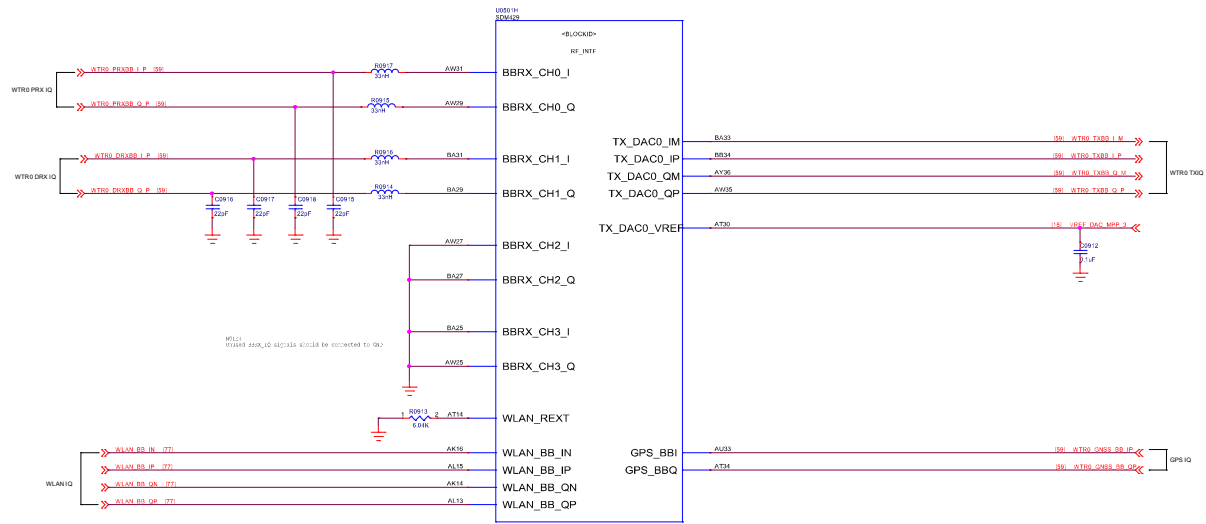
NOTE:  
Ensure SW sets these GPIOs (Sensor, CTP and Camera I2C bus) to inout pull down when the peripherals are powered off to eliminate leakage.

SDM429 GPIO

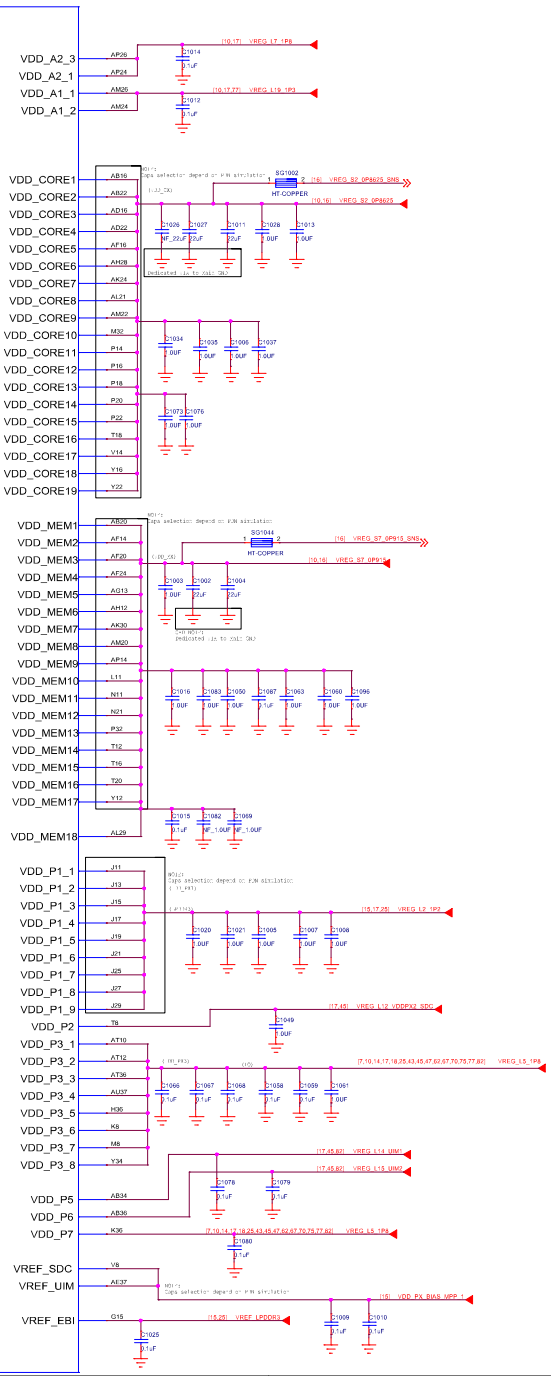
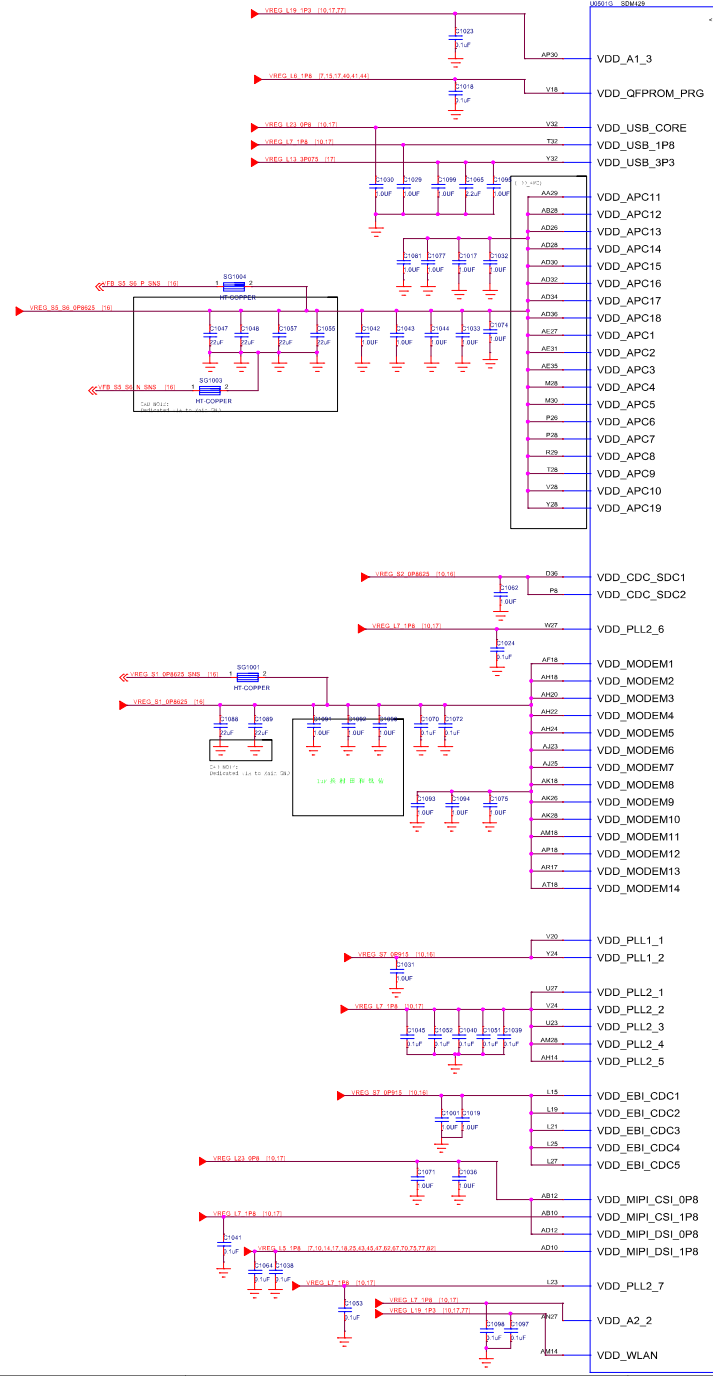


# SDM429 MIPI

1118	<b>08.SDM429 MIPI</b>	REV: V10
DOCUMENT NO.: 80426_1_12 SKUP_MK1 TA1164		Size D
DEPARTMENT: Wingham-82	DESIGNER: DESIGNER	
<b>WINGTECH</b>		
Date: Monday, March 25, 2019	Sheet 6	of 12

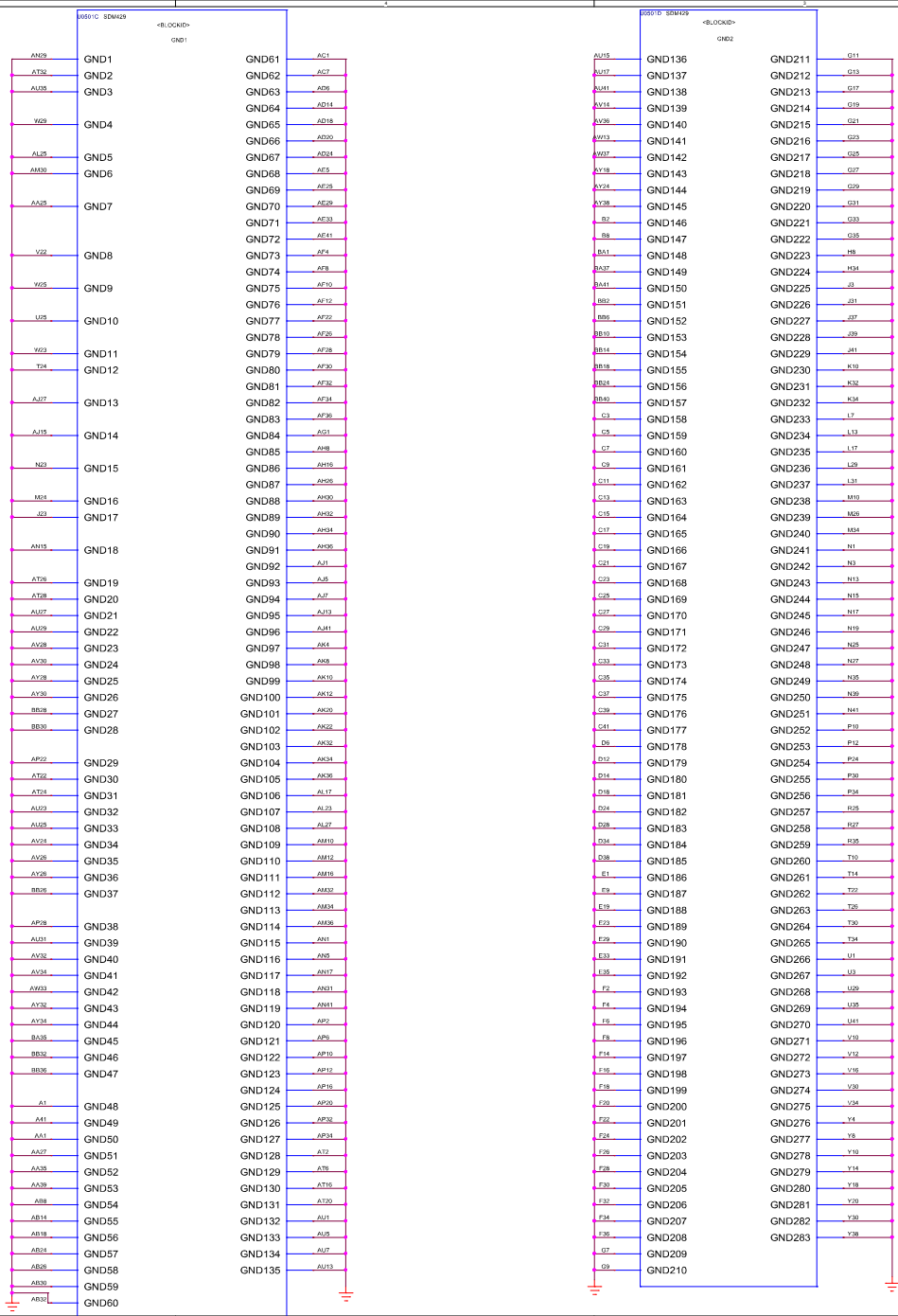


SDM429 RF



# SDM429 POWER1

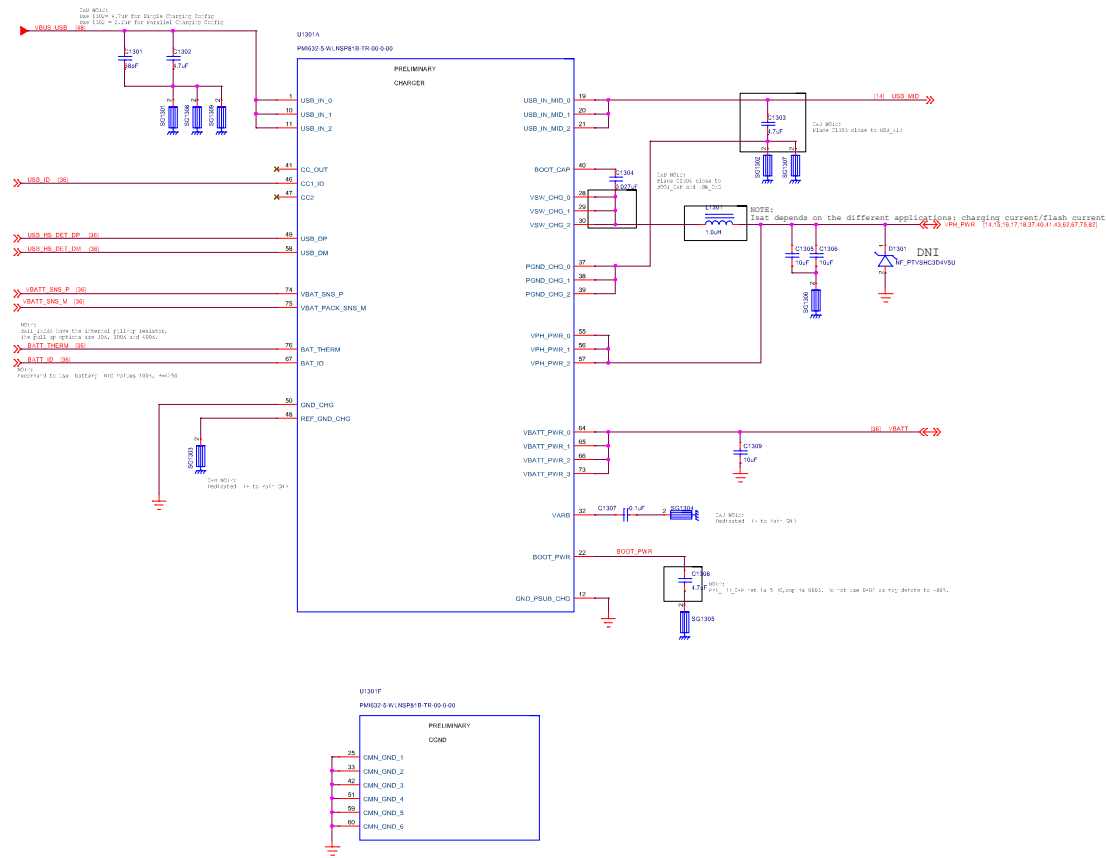
10.SDM429 POWER1		REV: V10
DOCUMENT NO.: 80626_1_12 SKUP_M41 TA1164	Size: D	
DEPARTMENT: Wingham-SE	DESIGNER: DESIGNER	
Date: Monday, March 25, 2019		Sheet 10 of 12



SDM429  
GND

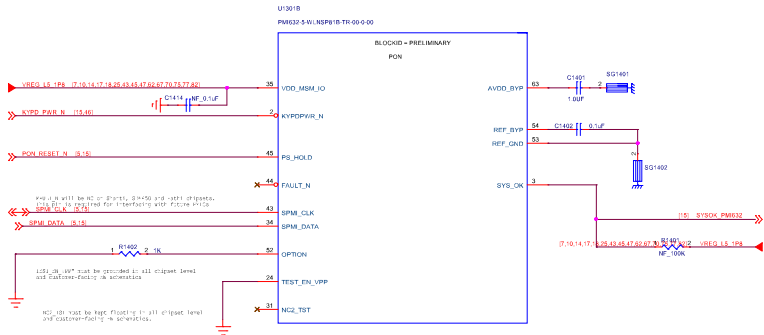
1118	12.SDM429 GND	REV: V10
DOCUMENT NO.: 80626_1_12 SKUP_HA1 TA1164	Size D	
DEPARTMENT: Wipnet-82	DESIGNER: DESIGNER	
Date: Monday, March 25, 2019	Sheet 12	of 12



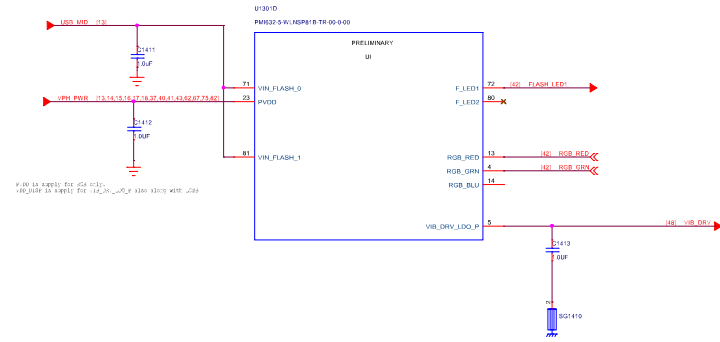
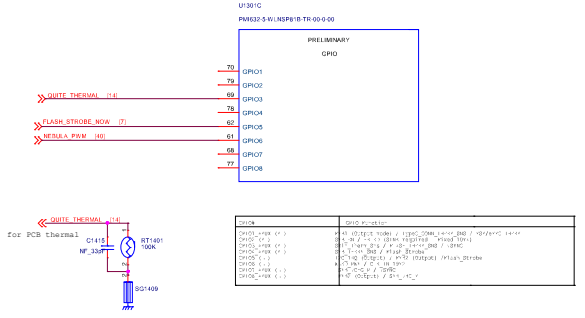
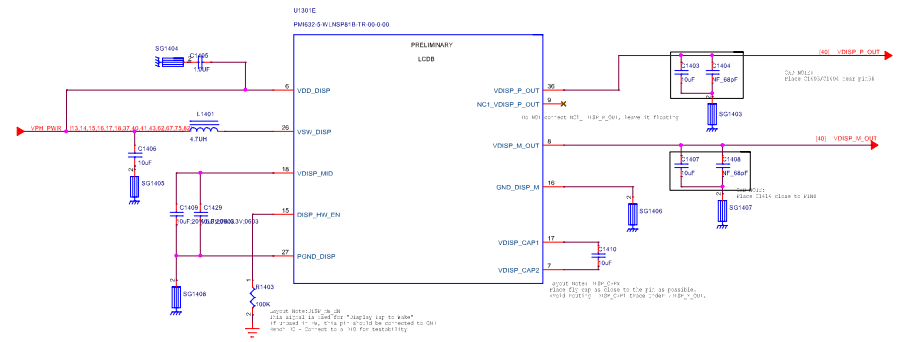


# PMI632 Charger

Title	13.PMI632 Charger	REV: V10
DOCUMENT NO:	80626_1_12_SKUP_HM1 TA1164	Size D
DEPARTMENT:	Wingtech-SZ	DESIGNER: DESIGNER
Date: Monday, March 25, 2019		Sheet 13 of 12

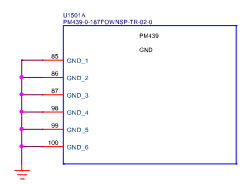
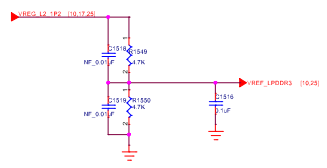
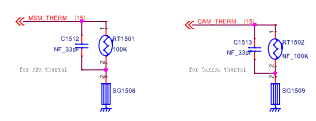
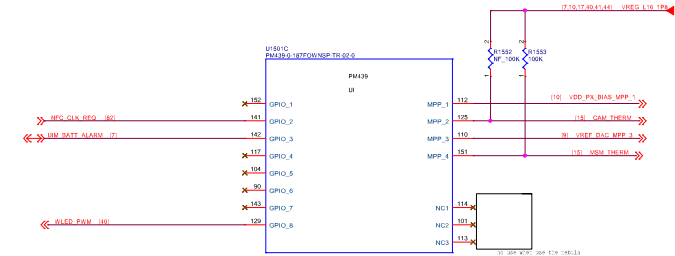
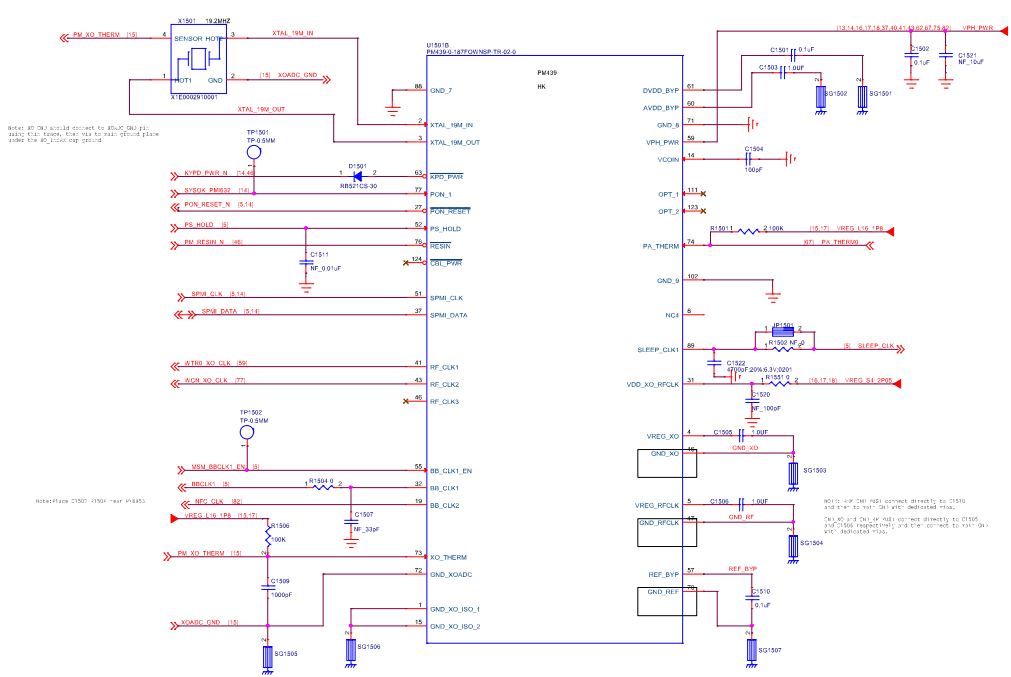


Pin	Label	Configuration	IC Configuration
1	PS_HOLD	NC	NC
2	PS_HOLD	NC	NC
3	PS_HOLD	NC	NC
4	PS_HOLD	NC	NC
5	PS_HOLD	NC	NC
6	PS_HOLD	NC	NC
7	PS_HOLD	NC	NC
8	PS_HOLD	NC	NC
9	PS_HOLD	NC	NC
10	PS_HOLD	NC	NC
11	PS_HOLD	NC	NC
12	PS_HOLD	NC	NC
13	PS_HOLD	NC	NC
14	PS_HOLD	NC	NC
15	PS_HOLD	NC	NC
16	PS_HOLD	NC	NC
17	PS_HOLD	NC	NC
18	PS_HOLD	NC	NC
19	PS_HOLD	NC	NC
20	PS_HOLD	NC	NC
21	PS_HOLD	NC	NC
22	PS_HOLD	NC	NC
23	PS_HOLD	NC	NC
24	PS_HOLD	NC	NC
25	PS_HOLD	NC	NC
26	PS_HOLD	NC	NC
27	PS_HOLD	NC	NC
28	PS_HOLD	NC	NC
29	PS_HOLD	NC	NC
30	PS_HOLD	NC	NC
31	PS_HOLD	NC	NC
32	PS_HOLD	NC	NC
33	PS_HOLD	NC	NC
34	PS_HOLD	NC	NC
35	PS_HOLD	NC	NC
36	PS_HOLD	NC	NC
37	PS_HOLD	NC	NC
38	PS_HOLD	NC	NC
39	PS_HOLD	NC	NC
40	PS_HOLD	NC	NC
41	PS_HOLD	NC	NC
42	PS_HOLD	NC	NC
43	PS_HOLD	NC	NC
44	PS_HOLD	NC	NC
45	PS_HOLD	NC	NC
46	PS_HOLD	NC	NC
47	PS_HOLD	NC	NC
48	PS_HOLD	NC	NC
49	PS_HOLD	NC	NC
50	PS_HOLD	NC	NC
51	PS_HOLD	NC	NC
52	PS_HOLD	NC	NC
53	PS_HOLD	NC	NC
54	PS_HOLD	NC	NC
55	PS_HOLD	NC	NC
56	PS_HOLD	NC	NC
57	PS_HOLD	NC	NC
58	PS_HOLD	NC	NC
59	PS_HOLD	NC	NC
60	PS_HOLD	NC	NC
61	PS_HOLD	NC	NC
62	PS_HOLD	NC	NC
63	PS_HOLD	NC	NC
64	PS_HOLD	NC	NC
65	PS_HOLD	NC	NC
66	PS_HOLD	NC	NC
67	PS_HOLD	NC	NC
68	PS_HOLD	NC	NC
69	PS_HOLD	NC	NC
70	PS_HOLD	NC	NC
71	PS_HOLD	NC	NC
72	PS_HOLD	NC	NC
73	PS_HOLD	NC	NC
74	PS_HOLD	NC	NC
75	PS_HOLD	NC	NC
76	PS_HOLD	NC	NC
77	PS_HOLD	NC	NC
78	PS_HOLD	NC	NC
79	PS_HOLD	NC	NC
80	PS_HOLD	NC	NC
81	PS_HOLD	NC	NC
82	PS_HOLD	NC	NC
83	PS_HOLD	NC	NC
84	PS_HOLD	NC	NC
85	PS_HOLD	NC	NC
86	PS_HOLD	NC	NC
87	PS_HOLD	NC	NC
88	PS_HOLD	NC	NC
89	PS_HOLD	NC	NC
90	PS_HOLD	NC	NC
91	PS_HOLD	NC	NC
92	PS_HOLD	NC	NC
93	PS_HOLD	NC	NC
94	PS_HOLD	NC	NC
95	PS_HOLD	NC	NC
96	PS_HOLD	NC	NC
97	PS_HOLD	NC	NC
98	PS_HOLD	NC	NC
99	PS_HOLD	NC	NC
100	PS_HOLD	NC	NC



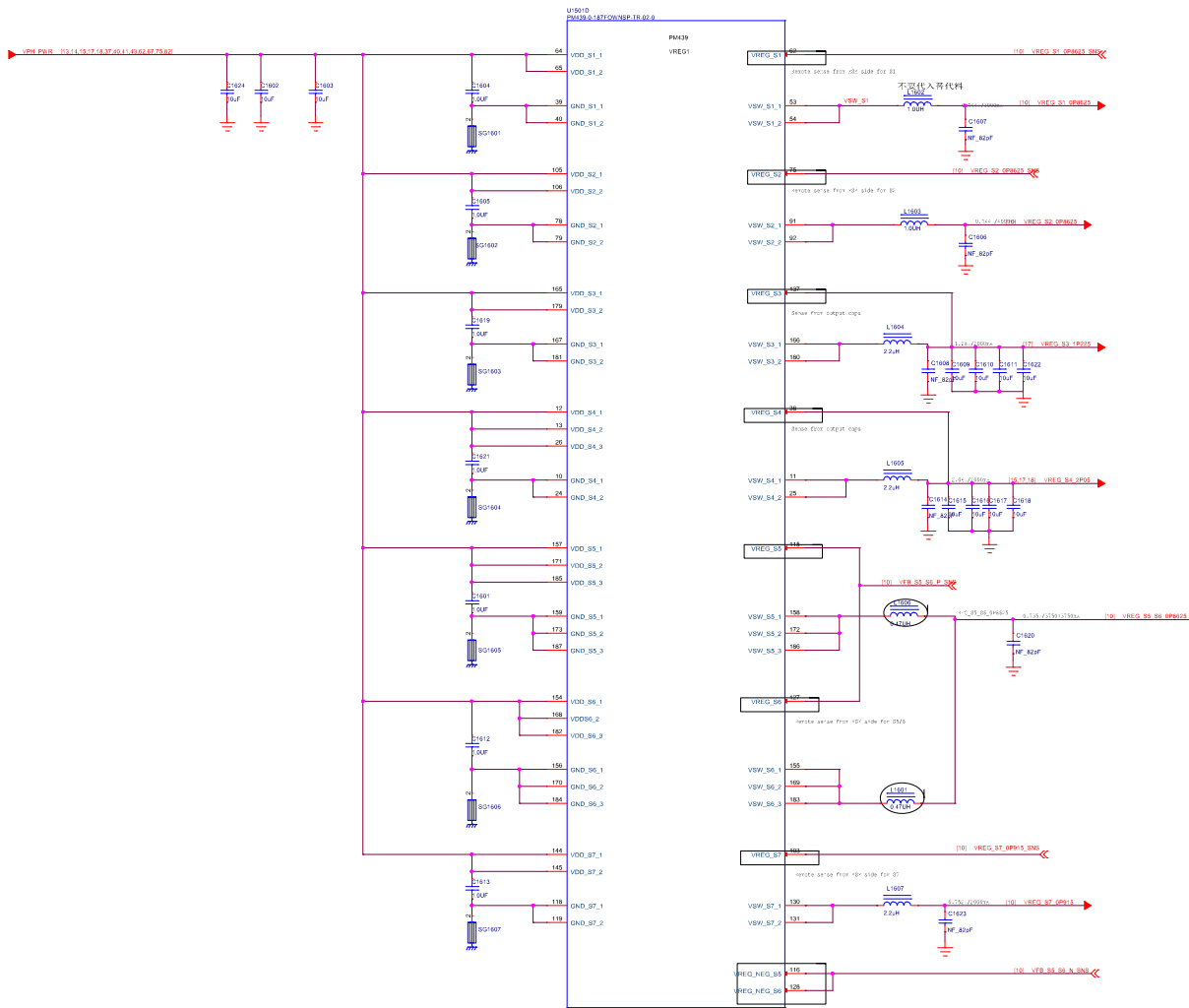
# PMI632 Control/Interface

14.PMI632 Control/Interface			REV: V10
DOCUMENT NO:	80626_1_12_SKUP_HAI TA1164	Size	D
DEPARTMENT:	Wingtech-82	DESIGNER:	DESIGNER
Date: Monday, March 23, 2010		Sheet	14 of 22



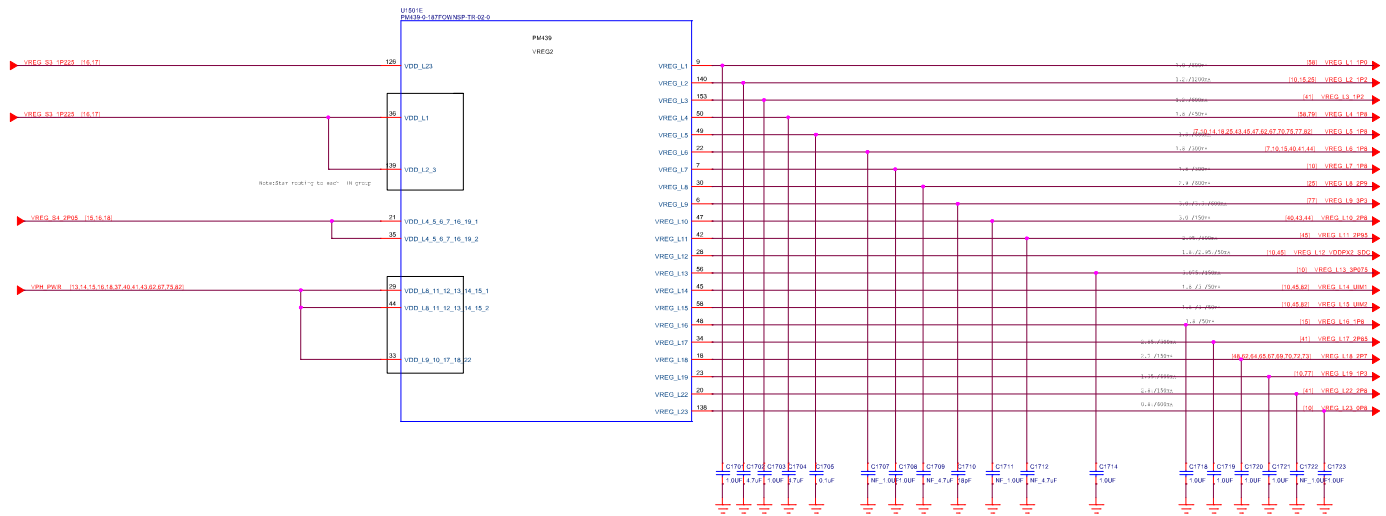
# PM439 Control/Interface

1118		15.PM439 Control/Interface		REV: V10
DOCUMENT NO.: 80626_1_12 SHU_HK1 TA1164		DEPARTMENT: DEPARTMENT		DESIGNER: DESIGNER
Date: Monday, March 25, 2019		Sheet: 15		of: 22



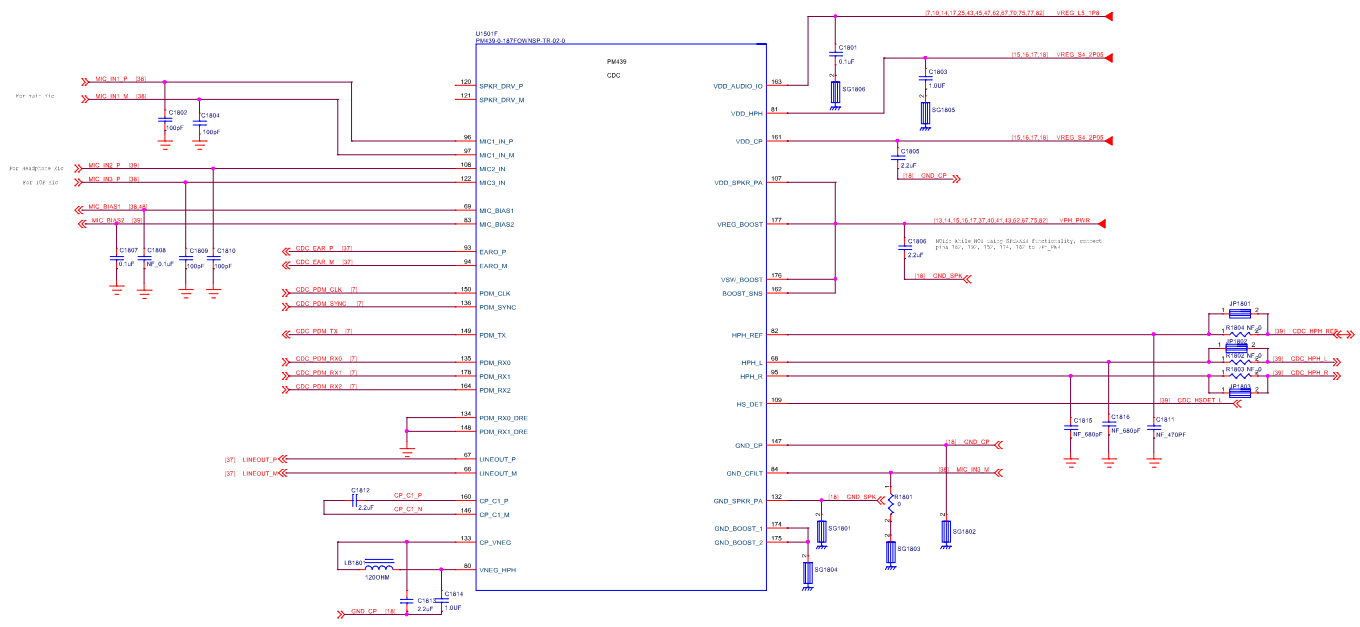
# PM439 SMPS

1118	18.PM439 SMPS	REV: V10
DOCUMENT NO.: 89628_1_12 BRDU_MAI TAT164		Size D
DEPARTMENT: Wingtech-SZ	DESIGNER: DESIGNER	
Date: Monday, March 25, 2019		Sheet 16 of 22

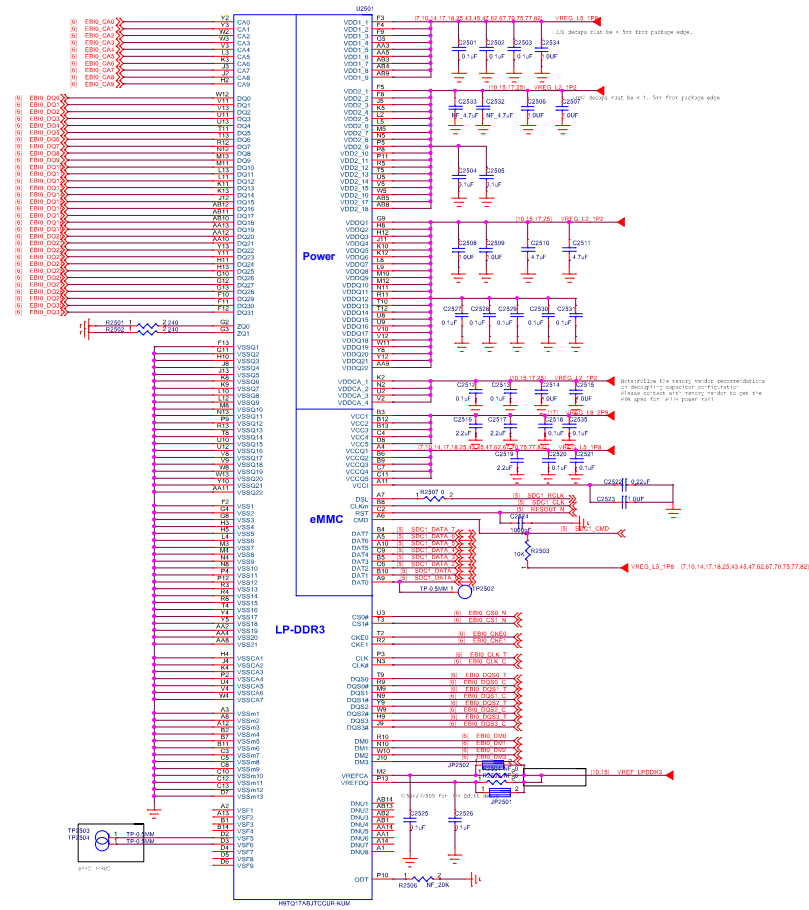


# PM439 LDO

Title: 17.PM439 LDO		REV: V10
DOCUMENT NO.: 80626_1_12_SKUP_HM1_TA1164		Size: D
DEPARTMENT: Wingtech-SZ	DESIGNER: DESIGNER	
Date: Monday, March 25, 2019		Sheet: 17 of 22



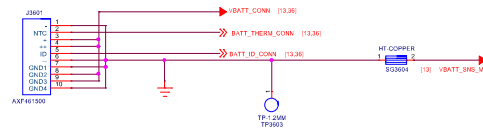
# PM439 CODEC/Audio PA



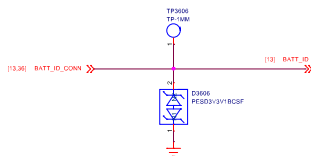
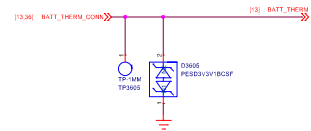
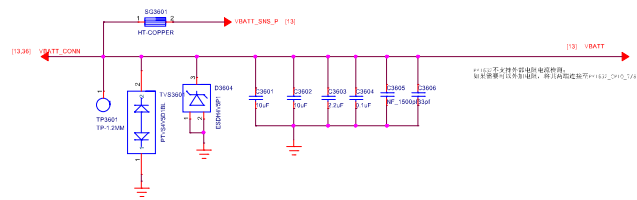
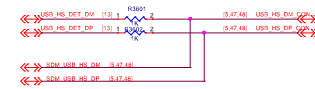
## MEMORY(LPDDR3+EMMC V5.1)

11/18	25.eMCP	REV: V10
DOCUMENT NO.: 80626_1_12_SKUP_MK1 TA1164		Size: D
DEPARTMENT: Wjhghet-82	DESIGNER: DESIGNER	
<b>WINGTECH</b>		
Date: Monday, March 25, 2019	Sheet	25 of 22

### Battery Connector



### USB\_IF

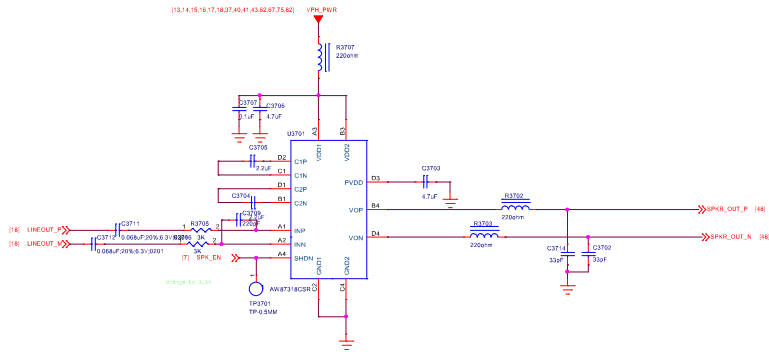


### Battery/USB IF

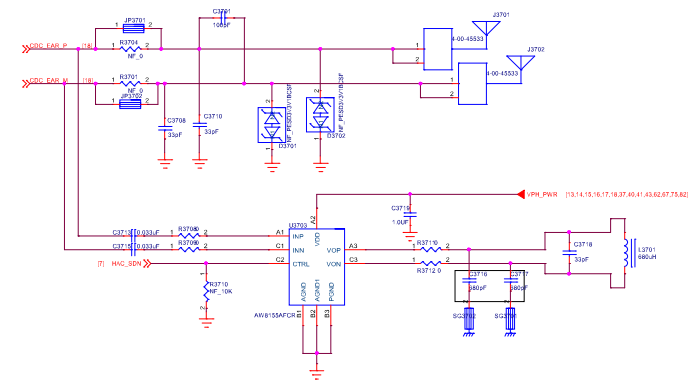
Title: 38.Battery/USB IF		REV: V10
DOCUMENT NO.: 80426_1_12_SKUP_HK1 TA1164		Size: D
DEPARTMENT: Wingtech-SZ	DESIGNER: DESIGNER	
Date: Monday, March 25, 2019		Sheet: 50 of 82



### AUDIO PA



### RECEIVER

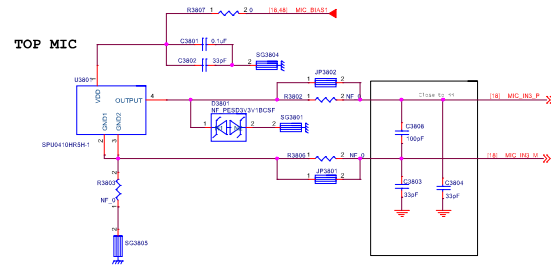


AWB155 FOR HAC

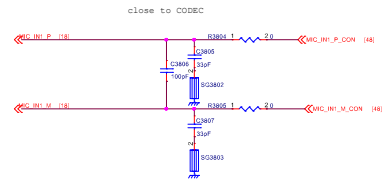
## SPK/Receiver/Vibrator

1118	SPK/Receiver/Vibrator	REV: V10
DOCUMENT NO.:	80426_1_12 SPK_HA1 TA1164	Size D
DEPARTMENT:	Wingtech-82	DESIGNER: DESIGNER
		
Date:	Monday, March 25, 2019	Sheet 57 of 82

### Mic2



### Mic1



### MIC

Title:	38.MIC	REV:	V10
DOCUMENT NO.:	80426_1_12_SKUP_HK1_TA1164	Size:	D
DEPARTMENT:	Wingtech-E2	DESIGNER:	DESIGNER
			
Date:	Monday, March 25, 2019	Sheet:	38 of 82