

FCC SAR Test Report

Report No. : SA171102C32
Applicant : HMD Global Oy
Address : Karaportti 2, 02610 Espoo, Finland
Product : Smart Phone
FCC ID : 2AJOTTA-1016
Brand : Nokia
Model No. : TA-1016
Standards : FCC 47 CFR Part 2 (2.1093), IEEE C95.1:1992, IEEE Std 1528:2013
 KDB 865664 D01 v01r04, KDB 865664 D02 v01r02
 KDB 248227 D01 v02r02, KDB 447498 D01 v06
 KDB 648474 D04 v01r03, KDB 941225 D01 v03r01, KDB 941225 D05 v02r05
Sample Received Date : Dec. 04, 2017
Date of Testing : Nov. 16, 2017 ~ Dec. 11, 2017
Lab Address : No. 47-2, 14th Ling, Chia Pau Vil., Lin Kou Dist., New Taipei City, Taiwan, R.O.C.
Test Location : No. 19, Hwa Ya 2nd Rd, Wen Hwa Vil, Kwei Shan Dist., Taoyuan City 33383, Taiwan (R.O.C)

CERTIFICATION: The above equipment have been tested by **Bureau Veritas Consumer Products Services (H.K.) Ltd., Taoyuan Branch – Lin Kou Laboratories**, and found compliance with the requirement of the above standards. The test record, data evaluation & Equipment Under Test (EUT) configurations represented herein are true and accurate accounts of the measurements of the sample’s SAR characteristics under the conditions specified in this report. It should not be reproduced except in full, without the written approval of our laboratory. The client should not use it to claim product certification, approval, or endorsement by TAF or any government agencies.

Prepared By : Gina Liu
 Gina Liu / Specialist
Approved By : Eli Hsu
 Eli Hsu / Senior Engineer



This report is for your exclusive use. Any copying or replication of this report to or for any other person or entity, or use of our name or trademark, is permitted only with our prior written permission. This report sets forth our findings solely with respect to the test samples identified herein. The results set forth in this report are not indicative or representative of the quality or characteristics of the lot from which a test sample was taken or any similar or identical product unless specifically and expressly noted. Our report includes all of the tests requested by you and the results thereof based upon the information that you provided to us. You have 60 days from date of issuance of this report to notify us of any material error or omission caused by our negligence, provided, however, that such notice shall be in writing and shall specifically address the issue you wish to raise. A failure to raise such issue within the prescribed time shall constitute your unqualified acceptance of the completeness of this report, the tests conducted and the correctness of the report contents. Unless specific mention, the uncertainty of measurement has been explicitly taken into account to declare the compliance or non-compliance to the specification.

Table of Contents

Release Control Record	3
1. Summary of Maximum SAR Value	4
2. Description of Equipment Under Test	5
3. SAR Measurement System	7
3.1 Definition of Specific Absorption Rate (SAR)	7
3.2 SPEAG DASY52 System	7
3.2.1 Robot.....	8
3.2.2 Probes.....	9
3.2.3 Data Acquisition Electronics (DAE)	10
3.2.4 Phantoms	10
3.2.5 Device Holder.....	11
3.2.6 System Validation Dipoles.....	11
3.2.7 Tissue Simulating Liquids.....	12
3.3 SAR System Verification	15
3.4 SAR Measurement Procedure	16
3.4.1 Area & Zoom Scan Procedure	16
3.4.2 Volume Scan Procedure.....	16
3.4.3 Power Drift Monitoring.....	17
3.4.4 Spatial Peak SAR Evaluation	17
3.4.5 SAR Averaged Methods	17
4. SAR Measurement Evaluation	18
4.1 EUT Configuration and Setting.....	18
4.2 EUT Testing Position	25
4.2.1 Head Exposure Conditions.....	25
4.2.2 Body-worn Accessory Exposure Conditions.....	27
4.2.3 Hotspot Mode Exposure Conditions	28
4.2.4 Product Specific (Phablet) Exposure Conditions	29
4.3 Tissue Verification	30
4.4 System Validation.....	31
4.5 System Verification.....	32
4.6 Maximum Output Power.....	33
4.6.1 Maximum Target Conducted Power	33
4.6.2 Measured Conducted Power Result.....	36
4.7 SAR Testing Results	52
4.7.1 SAR Test Reduction Considerations	52
4.7.2 SAR Results for Head Exposure Condition	54
4.7.3 SAR Results for Body Exposure Condition (Test Separation Distance is 15 mm).....	58
4.7.4 SAR Results for Hotspot Exposure Condition (Test Separation Distance is 10 mm).....	60
4.7.5 SAR Results for Product Specific (Phablet) Exposure Condition (Test Separation Distance is 0 mm).....	63
4.7.6 SAR Measurement Variability.....	64
4.7.7 Simultaneous Multi-band Transmission Evaluation	65
5. Calibration of Test Equipment.....	77
6. Measurement Uncertainty.....	78
7. Information on the Testing Laboratories.....	82
Appendix A. SAR Plots of System Verification	
Appendix B. SAR Plots of SAR Measurement	
Appendix C. Calibration Certificate for Probe and Dipole	
Appendix D. Photographs of EUT and Setup	

Release Control Record

Report No.	Reason for Change	Date Issued
SA171102C32	Initial release	Jan. 02, 2018

1. Summary of Maximum SAR Value

Equipment Class	Mode	Highest SAR-1g Head (W/kg)	Highest SAR-1g Body-worn Tested at 15 mm (W/kg)	Highest SAR-1g Hotspot Tested at 10 mm (W/kg)	Highest SAR-10g Product Specific Tested at 0 mm (W/kg)
PCE	GSM850	0.90	0.26	0.23	
	GSM1900	0.08	0.53	1.18	
	WCDMA II	0.18	1.19	1.19	
	WCDMA IV	0.17	1.16	1.15	
	WCDMA V	1.19	0.29	0.26	
	LTE 2	0.12	0.88	1.16	
	LTE 4	0.12	0.78	0.97	
	LTE 5	1.06	0.17	0.21	
	LTE 7	0.19	0.37	0.79	
	LTE 12	0.64	0.25	0.24	
LTE 17	0.70	0.24	0.23		
DTS	2.4G WLAN	0.50	0.03	0.07	
NII	5G WLAN	0.84	0.03	0.06	0.31
DSS	Bluetooth	N/A	0.00	N/A	0.00
DXX	NFC	N/A	N/A	N/A	N/A
Highest Simultaneous Transmission SAR		Head	Body-worn	Hotspot	Product Specific
		1.51	1.22	1.19	N/A

Note:

- The SAR criteria (**Head & Body: SAR-1g 1.6 W/kg, and Extremity: SAR-10g 4.0 W/kg**) for general population / uncontrolled exposure is specified in FCC 47 CFR part 2 (2.1093) and ANSI/IEEE C95.1-1992.

2. Description of Equipment Under Test

EUT Type	Smart Phone
FCC ID	2AJOTTA-1016
Brand Name	Nokia
Model Name	TA-1016
Tx Frequency Bands (Unit: MHz)	GSM850 : 824.2 ~ 848.8 GSM1900 : 1850.2 ~ 1909.8 WCDMA Band II : 1852.4 ~ 1907.6 WCDMA Band IV : 1712.4 ~ 1752.6 WCDMA Band V : 826.4 ~ 846.6 LTE Band 2 : 1850.7 ~ 1909.3 (BW: 1.4M, 3M, 5M, 10M, 15M, 20M) LTE Band 4 : 1710.7 ~ 1754.3 (BW: 1.4M, 3M, 5M, 10M, 15M, 20M) LTE Band 5 : 824.7 ~ 848.3 (BW: 1.4M, 3M, 5M, 10M) LTE Band 7 : 2502.5 ~ 2567.5 (BW: 5M, 10M, 15M, 20M) LTE Band 12 : 699.7 ~ 715.3 (BW: 1.4M, 3M, 5M, 10M) LTE Band 17 : 706.5 ~ 713.5 (BW: 5M, 10M) WLAN : 2412 ~ 2462, 5180 ~ 5240, 5260 ~ 5320, 5500 ~ 5700, 5745 ~ 5825 Bluetooth : 2402 ~ 2480 NFC : 13.56
Uplink Modulations	GSM & GPRS : GMSK EDGE : 8PSK WCDMA : QPSK LTE : QPSK, 16QAM, 64QAM 802.11b : DSSS 802.11a/g/n/ac : OFDM Bluetooth : GFSK, $\pi/4$ -DQPSK, 8-DPSK NFC : ASK
Maximum Tune-up Conducted Power (Unit: dBm)	Please refer to section 4.6.1 of this report
Antenna Type	Fixed Internal Antenna, PIFA Antenna (Peak Antenna Gain : -1.7 dBi for 2.4GHz, 0.6 dBi for 5GHz)
EUT Stage	Identical Prototype

Note:

1. The WWAN antenna support band with power reduction information as below.

Position	ANT	850	1900	II	IV	V	2	4	5	7	12	17	Function Notes	Simultaneous TX Combination
Head (Voice mode)	0	w/o	w/o	w/o	w/o	w/o	w/o	w/o	w/o	w/o	w/o	w/o	Wifi Off , Cell On	No
	0	w/	w/o	w/o	w/o	w/	w/o	w/o	w/	w/o	w/	w/	Wifi On , Cell On	Yes
	1	w/o				w/o			w/o		w/o	w/o	Wifi Off , Cell On	No
	1	w/				w/			w/		w/	w/	Wifi On , Cell On	Yes
Hotspot (Data mode)	0	w/o	w/	w/	w/	w/o	w/	w/	w/o	w/o	w/o	w/o	Hotspot Mode Enable	Yes
	1	w/o				w/o			w/o		w/o	w/o		

FCC SAR Test Report

Position	ANT	850	1900	II	IV	V	2	4	5	7	12	17	Function Notes	Simultaneous TX Combination
Body-worn (Voice mode)	0	w/o	w/o	w/o	w/o	w/o	w/o	w/o	w/o	w/o	w/o	w/o	Wifi Off , Cell On	No
	0	w/	w/o	w/o	w/o	w/	w/o	w/o	w/	w/o	w/	w/	Wifi On , Cell On	Yes
	1	w/o				w/o			w/o		w/o	w/o	Wifi Off , Cell On	No
	1	w/				w/			w/		w/	w/	Wifi On , Cell On	Yes

2. The above EUT information is declared by manufacturer and for more detailed features description please refers to the manufacturer's specifications or User's Manual.

List of Accessory:

Battery	Brand Name	SCUD
	Model Name	HE345
	Power Rating	3.85Vdc, 3000mAh
	Type	Li-ion
Earphone	Brand Name	Foxconn
	Model Name	WH-108
	Signal Line Type	1.4 meter non-shielded cable without ferrite core

3. SAR Measurement System

3.1 Definition of Specific Absorption Rate (SAR)

SAR is related to the rate at which energy is absorbed per unit mass in an object exposed to a radio field. The SAR distribution in a biological body is complicated and is usually carried out by experimental techniques or numerical modeling. The standard recommends limits for two tiers of groups, occupational/controlled and general population/uncontrolled, based on a person's awareness and ability to exercise control over his or her exposure. In general, occupational/controlled exposure limits are higher than the limits for general population/uncontrolled.

The SAR definition is the time derivative (rate) of the incremental energy (dW) absorbed by (dissipated in) an incremental mass (dm) contained in a volume element (dv) of a given density (ρ). The equation description is as below:

$$\text{SAR} = \frac{d}{dt} \left(\frac{dW}{dm} \right) = \frac{d}{dt} \left(\frac{dW}{\rho dv} \right)$$

SAR is expressed in units of Watts per kilogram (W/kg)

SAR measurement can be related to the electrical field in the tissue by

$$\text{SAR} = \frac{\sigma |E|^2}{\rho}$$

Where: σ is the conductivity of the tissue, ρ is the mass density of the tissue and E is the RMS electrical field strength.

3.2 SPEAG DASY52 System

DASY52 system consists of high precision robot, probe alignment sensor, phantom, robot controller, controlled measurement server and near-field probe. The robot includes six axes that can move to the precision position of the DASY52 software defined. The DASY52 software can define the area that is detected by the probe. The robot is connected to controlled box. Controlled measurement server is connected to the controlled robot box. The DAE includes amplifier, signal multiplexing, AD converter, offset measurement and surface detection. It is connected to the Electro-optical coupler (ECO). The ECO performs the conversion from the optical into digital electric signal of the DAE and transfers data to the PC.

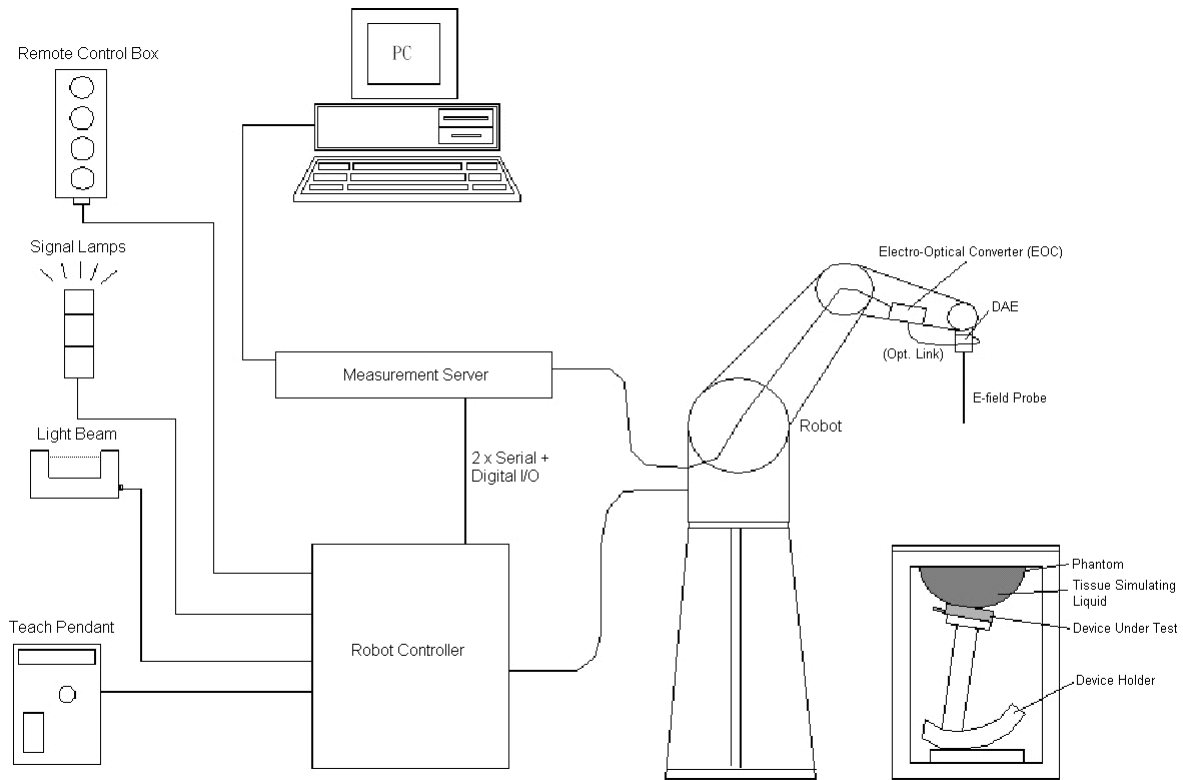


Fig-3.1 SPEAG DASY52 System Setup

3.2.1 Robot

The DASY52 system uses the high precision robots from Stäubli SA (France). For the 6-axis controller system, the robot controller version of CS8c from Stäubli is used. The Stäubli robot series have many features that are important for our application:

- High precision (repeatability ± 0.035 mm)
- High reliability (industrial design)
- Jerk-free straight movements
- Low ELF interference (the closed metallic construction shields against motor control fields)





Fig-3.2 SPEAG DASY52 System


FCC SAR Test Report

3.2.2 Probes

The SAR measurement is conducted with the dosimetric probe. The probe is specially designed and calibrated for use in liquid with high permittivity. The dosimetric probe has special calibration in liquid at different frequency.


Model	EX3DV4	
Construction	Symmetrical design with triangular core. Built-in shielding against static charges. PEEK enclosure material (resistant to organic solvents, e.g., DGBE).	
Frequency	10 MHz to 6 GHz Linearity: ± 0.2 dB	
Directivity	± 0.3 dB in HSL (rotation around probe axis) ± 0.5 dB in tissue material (rotation normal to probe axis)	
Dynamic Range	10 μ W/g to 100 mW/g Linearity: ± 0.2 dB (noise: typically < 1 μ W/g)	
Dimensions	Overall length: 337 mm (Tip: 20 mm) Tip diameter: 2.5 mm (Body: 12 mm) Typical distance from probe tip to dipole centers: 1 mm	

Model	ES3DV3	
Construction	Symmetrical design with triangular core. Interleaved sensors. Built-in shielding against static charges. PEEK enclosure material (resistant to organic solvents, e.g., DGBE).	
Frequency	10 MHz to 4 GHz Linearity: ± 0.2 dB	
Directivity	± 0.2 dB in HSL (rotation around probe axis) ± 0.3 dB in tissue material (rotation normal to probe axis)	
Dynamic Range	5 μ W/g to 100 mW/g Linearity: ± 0.2 dB	
Dimensions	Overall length: 337 mm (Tip: 20 mm) Tip diameter: 3.9 mm (Body: 12 mm) Distance from probe tip to dipole centers: 2.0 mm	


Model	ET3DV6	
Construction	Symmetrical design with triangular core Built-in optical fiber for surface detection system. Built-in shielding against static charges. PEEK enclosure material (resistant to organic solvents, e.g., DGBE)	
Frequency	10 MHz to 2.3 GHz; Linearity: ± 0.2 dB	
Directivity	± 0.2 dB in TSL (rotation around probe axis) ± 0.4 dB in TSL (rotation normal to probe axis)	
Dynamic Range	5 μ W/g to 100 mW/g; Linearity: ± 0.2 dB	
Dimensions	Overall length: 337 mm (Tip: 16 mm) Tip diameter: 6.8 mm (Body: 12 mm) Distance from probe tip to dipole centers: 2.7 mm	


FCC SAR Test Report

3.2.3 Data Acquisition Electronics (DAE)

Model	DAE3, DAE4	
Construction	Signal amplifier, multiplexer, A/D converter and control logic. Serial optical link for communication with DASY embedded system (fully remote controlled). Two step probe touch detector for mechanical surface detection and emergency robot stop.	
Measurement Range	-100 to +300 mV (16 bit resolution and two range settings: 4mV, 400mV)	
Input Offset Voltage	< 5µV (with auto zero)	
Input Bias Current	< 50 fA	
Dimensions	60 x 60 x 68 mm	


3.2.4 Phantoms


Model	Twin SAM	
Construction	The shell corresponds to the specifications of the Specific Anthropomorphic Mannequin (SAM) phantom defined in IEEE 1528 and IEC 62209-1. It enables the dosimetric evaluation of left and right hand phone usage as well as body mounted usage at the flat phantom region. A cover prevents evaporation of the liquid. Reference markings on the phantom allow the complete setup of all predefined phantom positions and measurement grids by teaching three points with the robot.	
Material	Vinylester, glass fiber reinforced (VE-GF)	
Shell Thickness	2 ± 0.2 mm (6 ± 0.2 mm at ear point)	
Dimensions	Length: 1000 mm Width: 500 mm Height: adjustable feet	
Filling Volume	approx. 25 liters	

Model	ELI	
Construction	Phantom for compliance testing of handheld and body-mounted wireless devices in the frequency range of 30 MHz to 6 GHz. ELI is fully compatible with the IEC 62209-2 standard and all known tissue simulating liquids. ELI has been optimized regarding its performance and can be integrated into our standard phantom tables. A cover prevents evaporation of the liquid. Reference markings on the phantom allow installation of the complete setup, including all predefined phantom positions and measurement grids, by teaching three points. The phantom is compatible with all SPEAG dosimetric probes and dipoles.	
Material	Vinylester, glass fiber reinforced (VE-GF)	
Shell Thickness	2.0 ± 0.2 mm (bottom plate)	
Dimensions	Major axis: 600 mm Minor axis: 400 mm	
Filling Volume	approx. 30 liters	


FCC SAR Test Report

3.2.5 Device Holder

Model	Mounting Device	
Construction	In combination with the Twin SAM Phantom or ELI4, the Mounting Device enables the rotation of the mounted transmitter device in spherical coordinates. Rotation point is the ear opening point. Transmitter devices can be easily and accurately positioned according to IEC, IEEE, FCC or other specifications. The device holder can be locked for positioning at different phantom sections (left head, right head, flat).	
Material	POM	

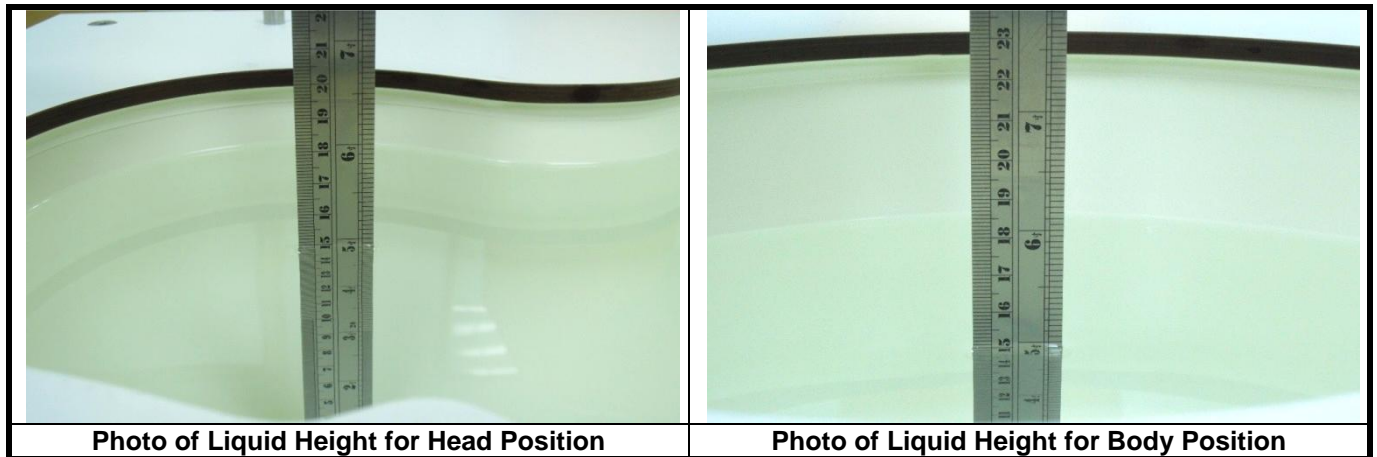
Model	Laptop Extensions Kit	
Construction	Simple but effective and easy-to-use extension for Mounting Device that facilitates the testing of larger devices according to IEC 62209-2 (e.g., laptops, cameras, etc.). It is lightweight and fits easily on the upper part of the Mounting Device in place of the phone positioner.	
Material	POM, Acrylic glass, Foam	

3.2.6 System Validation Dipoles

Model	D-Serial	
Construction	Symmetrical dipole with 1/4 balun. Enables measurement of feed point impedance with NWA. Matched for use near flat phantoms filled with tissue simulating solutions.	
Frequency	750 MHz to 5800 MHz	
Return Loss	> 20 dB	
Power Capability	> 100 W (f < 1GHz), > 40 W (f > 1GHz)	

3.2.7 Tissue Simulating Liquids

For SAR measurement of the field distribution inside the phantom, the phantom must be filled with homogeneous tissue simulating liquid to a depth of at least 15 cm. For head SAR testing, the liquid height from the ear reference point (ERP) of the phantom to the liquid top surface is larger than 15 cm. For body SAR testing, the liquid height from the center of the flat phantom to the liquid top surface is larger than 15 cm. The nominal dielectric values of the tissue simulating liquids in the phantom and the tolerance of 5% are listed in Table-3.1.



The dielectric properties of the head tissue simulating liquids are defined in IEEE 1528 and IEC 62209-1. For the body tissue simulating liquids, the dielectric properties are defined in RSS-102 Annex D and IEC 62209-2. The dielectric properties of the tissue simulating liquids were verified prior to the SAR evaluation using a dielectric assessment kit and a network analyzer.

Table-3.1 Targets of Tissue Simulating Liquid

Frequency (MHz)	Target Permittivity	Range of $\pm 5\%$	Target Conductivity	Range of $\pm 5\%$
For Head				
750	41.9	39.8 ~ 44.0	0.89	0.85 ~ 0.93
835	41.5	39.4 ~ 43.6	0.90	0.86 ~ 0.95
900	41.5	39.4 ~ 43.6	0.97	0.92 ~ 1.02
1450	40.5	38.5 ~ 42.5	1.20	1.14 ~ 1.26
1640	40.3	38.3 ~ 42.3	1.29	1.23 ~ 1.35
1750	40.1	38.1 ~ 42.1	1.37	1.30 ~ 1.44
1800	40.0	38.0 ~ 42.0	1.40	1.33 ~ 1.47
1900	40.0	38.0 ~ 42.0	1.40	1.33 ~ 1.47
2000	40.0	38.0 ~ 42.0	1.40	1.33 ~ 1.47
2300	39.5	37.5 ~ 41.5	1.67	1.59 ~ 1.75
2450	39.2	37.2 ~ 41.2	1.80	1.71 ~ 1.89
2600	39.0	37.1 ~ 41.0	1.96	1.86 ~ 2.06
3500	37.9	36.0 ~ 39.8	2.91	2.76 ~ 3.06
5200	36.0	34.2 ~ 37.8	4.66	4.43 ~ 4.89
5300	35.9	34.1 ~ 37.7	4.76	4.52 ~ 5.00
5500	35.6	33.8 ~ 37.4	4.96	4.71 ~ 5.21
5600	35.5	33.7 ~ 37.3	5.07	4.82 ~ 5.32
5800	35.3	33.5 ~ 37.1	5.27	5.01 ~ 5.53
For Body				
750	55.5	52.7 ~ 58.3	0.96	0.91 ~ 1.01
835	55.2	52.4 ~ 58.0	0.97	0.92 ~ 1.02
900	55.0	52.3 ~ 57.8	1.05	1.00 ~ 1.10
1450	54.0	51.3 ~ 56.7	1.30	1.24 ~ 1.37
1640	53.8	51.1 ~ 56.5	1.40	1.33 ~ 1.47
1750	53.4	50.7 ~ 56.1	1.49	1.42 ~ 1.56
1800	53.3	50.6 ~ 56.0	1.52	1.44 ~ 1.60
1900	53.3	50.6 ~ 56.0	1.52	1.44 ~ 1.60
2000	53.3	50.6 ~ 56.0	1.52	1.44 ~ 1.60
2300	52.9	50.3 ~ 55.5	1.81	1.72 ~ 1.90
2450	52.7	50.1 ~ 55.3	1.95	1.85 ~ 2.05
2600	52.5	49.9 ~ 55.1	2.16	2.05 ~ 2.27
3500	51.3	48.7 ~ 53.9	3.31	3.14 ~ 3.48
5200	49.0	46.6 ~ 51.5	5.30	5.04 ~ 5.57
5300	48.9	46.5 ~ 51.3	5.42	5.15 ~ 5.69
5500	48.6	46.2 ~ 51.0	5.65	5.37 ~ 5.93
5600	48.5	46.1 ~ 50.9	5.77	5.48 ~ 6.06
5800	48.2	45.8 ~ 50.6	6.00	5.70 ~ 6.30

FCC SAR Test Report

The following table gives the recipes for tissue simulating liquids.

Table-3.2 Recipes of Tissue Simulating Liquid

Tissue Type	Bactericide	DGBE	HEC	NaCl	Sucrose	Triton X-100	Water	Diethylene Glycol Mono-hexylether
H750	0.2	-	0.2	1.5	56.0	-	42.1	-
H835	0.2	-	0.2	1.5	57.0	-	41.1	-
H900	0.2	-	0.2	1.4	58.0	-	40.2	-
H1450	-	43.3	-	0.6	-	-	56.1	-
H1640	-	45.8	-	0.5	-	-	53.7	-
H1750	-	47.0	-	0.4	-	-	52.6	-
H1800	-	44.5	-	0.3	-	-	55.2	-
H1900	-	44.5	-	0.2	-	-	55.3	-
H2000	-	44.5	-	0.1	-	-	55.4	-
H2300	-	44.9	-	0.1	-	-	55.0	-
H2450	-	45.0	-	0.1	-	-	54.9	-
H2600	-	45.1	-	0.1	-	-	54.8	-
H3500	-	8.0	-	0.2	-	20.0	71.8	-
H5G	-	-	-	-	-	17.2	65.5	17.3
B750	0.2	-	0.2	0.8	48.8	-	50.0	-
B835	0.2	-	0.2	0.9	48.5	-	50.2	-
B900	0.2	-	0.2	0.9	48.2	-	50.5	-
B1450	-	34.0	-	0.3	-	-	65.7	-
B1640	-	32.5	-	0.3	-	-	67.2	-
B1750	-	31.0	-	0.2	-	-	68.8	-
B1800	-	29.5	-	0.4	-	-	70.1	-
B1900	-	29.5	-	0.3	-	-	70.2	-
B2000	-	30.0	-	0.2	-	-	69.8	-
B2300	-	31.0	-	0.1	-	-	68.9	-
B2450	-	31.4	-	0.1	-	-	68.5	-
B2600	-	31.8	-	0.1	-	-	68.1	-
B3500	-	28.8	-	0.1	-	-	71.1	-
B5G	-	-	-	-	-	10.7	78.6	10.7

3.3 SAR System Verification

The system check verifies that the system operates within its specifications. It is performed daily or before every SAR measurement. The system check uses normal SAR measurements in the flat section of the phantom with a matched dipole at a specified distance. The system verification setup is shown as below.

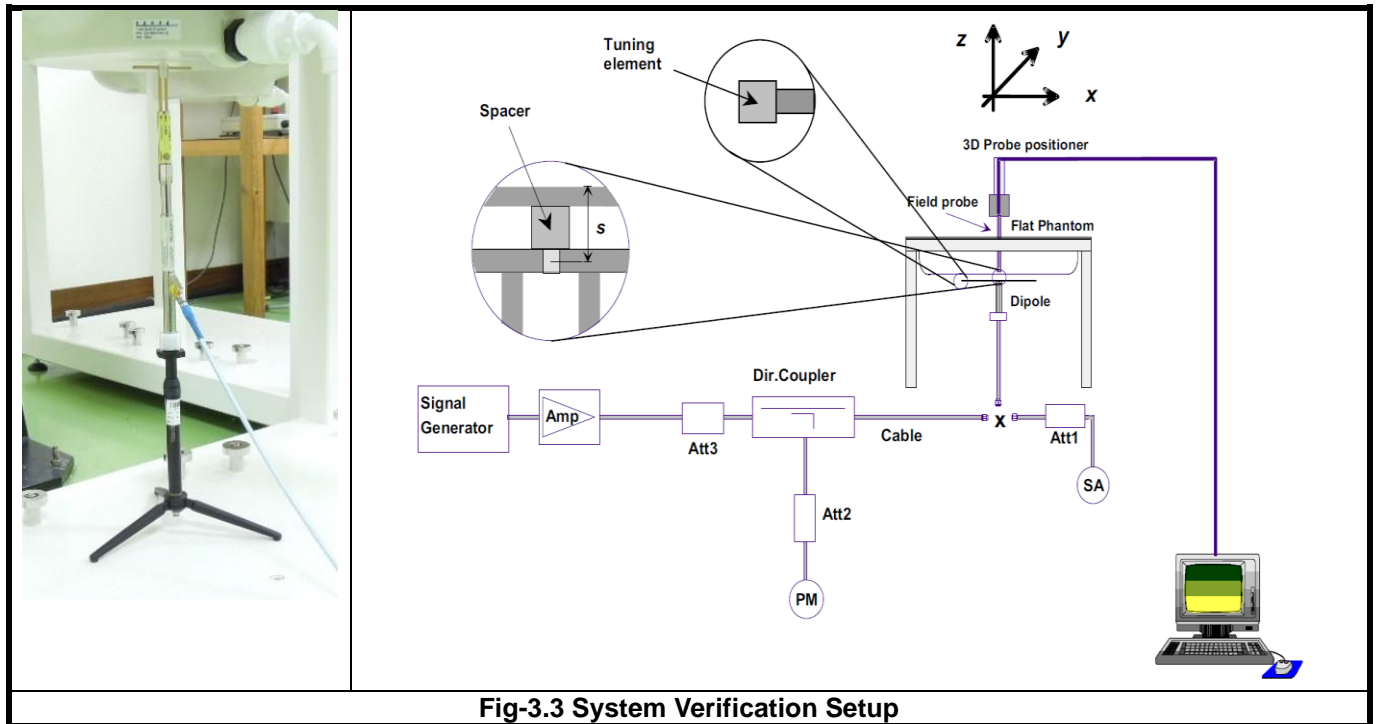


Fig-3.3 System Verification Setup

The validation dipole is placed beneath the flat phantom with the specific spacer in place. The distance spacer is touch the phantom surface with a light pressure at the reference marking and be oriented parallel to the long side of the phantom. The spectrum analyzer measures the forward power at the location of the system check dipole connector. The signal generator is adjusted for the desired forward power (250 mW is used for 700 MHz to 3 GHz, 100 mW is used for 3.5 GHz to 6 GHz) at the dipole connector and the power meter is read at that level. After connecting the cable to the dipole, the signal generator is readjusted for the same reading at power meter.

After system check testing, the SAR result will be normalized to 1W forward input power and compared with the reference SAR value derived from validation dipole certificate report. The deviation of system check should be within 10 %.

3.4 SAR Measurement Procedure

According to the SAR test standard, the recommended procedure for assessing the peak spatial-average SAR value consists of the following steps:

- (a) Power reference measurement
- (b) Area scan
- (c) Zoom scan
- (d) Power drift measurement

The SAR measurement procedures for each of test conditions are as follows:

- (a) Make EUT to transmit maximum output power
- (b) Measure conducted output power through RF cable
- (c) Place the EUT in the specific position of phantom
- (d) Perform SAR testing steps on the DASY system
- (e) Record the SAR value

3.4.1 Area & Zoom Scan Procedure

First Area Scan is used to locate the approximate location(s) of the local peak SAR value(s). The measurement grid within an Area Scan is defined by the grid extent, grid step size and grid offset. Next, in order to determine the EM field distribution in a three-dimensional spatial extension, Zoom Scan is required. The Zoom Scan is performed around the highest E-field value to determine the averaged SAR-distribution over 10 g. According to KDB 865664 D01, the resolution for Area and Zoom scan is specified in the table below.

Items	<= 2 GHz	2-3 GHz	3-4 GHz	4-5 GHz	5-6 GHz
Area Scan ($\Delta x, \Delta y$)	<= 15 mm	<= 12 mm	<= 12 mm	<= 10 mm	<= 10 mm
Zoom Scan ($\Delta x, \Delta y$)	<= 8 mm	<= 5 mm	<= 5 mm	<= 4 mm	<= 4 mm
Zoom Scan (Δz)	<= 5 mm	<= 5 mm	<= 4 mm	<= 3 mm	<= 2 mm
Zoom Scan Volume	>= 30 mm	>= 30 mm	>= 28 mm	>= 25 mm	>= 22 mm

Note:

When zoom scan is required and report SAR is <= 1.4 W/kg, the zoom scan resolution of $\Delta x / \Delta y$ (2-3GHz: <= 8 mm, 3-4GHz: <= 7 mm, 4-6GHz: <= 5 mm) may be applied.

3.4.2 Volume Scan Procedure

The volume scan is used for assess overlapping SAR distributions for antennas transmitting in different frequency bands. It is equivalent to an oversized zoom scan used in standalone measurements. The measurement volume will be used to enclose all the simultaneous transmitting antennas. For antennas transmitting simultaneously in different frequency bands, the volume scan is measured separately in each frequency band. In order to sum correctly to compute the 1g aggregate SAR, the EUT remain in the same test position for all measurements and all volume scan use the same spatial resolution and grid spacing. When all volume scan were completed, the software, SEMCAD postprocessor can combine and subsequently superpose these measurement data to calculating the multiband SAR.

3.4.3 Power Drift Monitoring

All SAR testing is under the EUT install full charged battery and transmit maximum output power. In DASY measurement software, the power reference measurement and power drift measurement procedures are used for monitoring the power drift of EUT during SAR test. Both these procedures measure the field at a specified reference position before and after the SAR testing. The software will calculate the field difference in dB. If the power drift more than 5%, the SAR will be retested.

3.4.4 Spatial Peak SAR Evaluation

The procedure for spatial peak SAR evaluation has been implemented according to the test standard. It can be conducted for 1g and 10g, as well as for user-specific masses. The DASY software includes all numerical procedures necessary to evaluate the spatial peak SAR value.

The base for the evaluation is a "cube" measurement. The measured volume must include the 1g and 10g cubes with the highest averaged SAR values. For that purpose, the center of the measured volume is aligned to the interpolated peak SAR value of a previously performed area scan.

The entire evaluation of the spatial peak values is performed within the post-processing engine (SEMCAD). The system always gives the maximum values for the 1g and 10g cubes. The algorithm to find the cube with highest averaged SAR is divided into the following stages:

- (a) Extraction of the measured data (grid and values) from the Zoom Scan
- (b) Calculation of the SAR value at every measurement point based on all stored data (A/D values and measurement parameters)
- (c) Generation of a high-resolution mesh within the measured volume
- (d) Interpolation of all measured values from the measurement grid to the high-resolution grid
- (e) Extrapolation of the entire 3-D field distribution to the phantom surface over the distance from sensor to surface
- (f) Calculation of the averaged SAR within masses of 1g and 10g

3.4.5 SAR Averaged Methods

In DASY, the interpolation and extrapolation are both based on the modified Quadratic Shepard's method. The interpolation scheme combines a least-square fitted function method and a weighted average method which are the two basic types of computational interpolation and approximation.

Extrapolation routines are used to obtain SAR values between the lowest measurement points and the inner phantom surface. The extrapolation distance is determined by the surface detection distance and the probe sensor offset. The uncertainty increases with the extrapolation distance. To keep the uncertainty within 1% for the 1 g and 10 g cubes, the extrapolation distance should not be larger than 5 mm.

4. SAR Measurement Evaluation

4.1 EUT Configuration and Setting

<Connections between EUT and System Simulator>

For WWAN SAR testing, the EUT was linked and controlled by base station emulator. Communication between the EUT and the emulator was established by air link. The distance between the EUT and the communicating antenna of the emulator is larger than 50 cm and the output power radiated from the emulator antenna is at least 30 dB smaller than the output power of EUT. The EUT was set from the emulator to radiate maximum output power during SAR testing.

<Considerations Related to GSM / GPRS / EDGE for Setup and Testing>

The maximum multi-slot capability supported by this device is as below.

1. This EUT is class B device
2. This EUT supports GPRS multi-slot class 33 (max. uplink: 4, max. downlink: 5, total timeslots: 6)
3. This EUT supports EDGE multi-slot class 33 (max. uplink: 4, max. downlink: 5, total timeslots: 6)

For GSM850 frequency band, the power control level is set to 5 for GSM mode and GPRS (GMSK: CS1), and set to 8 for EDGE (GMSK: MCS1, 8PSK: MCS9). For GSM1900 frequency band, the power control level is set to 0 for GSM mode and GPRS (GMSK: CS1), and set to 2 for EDGE (GMSK: MCS1, 8PSK: MCS9).

SAR test reduction for GPRS and EDGE modes is determined by the source-based time-averaged output power specified for production units, including tune-up tolerance. The data mode with highest specified time-averaged output power should be tested for SAR compliance in the applicable exposure conditions. For modes with the same specified maximum output power and tolerance, the higher number time-slot configuration should be tested.

<Considerations Related to WCDMA for Setup and Testing>

WCDMA Handsets Head SAR

SAR for next to the ear head exposure is measured using a 12.2 kbps RMC with TPC bits configured to all "1's". The 3G SAR test reduction procedure is applied to AMR configurations with 12.2 kbps RMC as the primary mode.

WCDMA Handsets Body-worn SAR

SAR for body-worn configurations is measured using a 12.2 kbps RMC with TPC bits configured to all "1's". The 3G SAR test reduction procedure is applied to other spreading codes and multiple DPDCH_n configurations supported by the handset with 12.2 kbps RMC as the primary mode.

Handsets with Release 5 HSDPA

The 3G SAR test reduction procedure is applied to HSDPA body-worn configurations with 12.2 kbps RMC as the primary mode. Otherwise, SAR is measured for HSDPA using the HSDPA body SAR procedures in the "Release 5 HSDPA Data Devices", for the highest reported SAR body-worn exposure configuration in 12.2 kbps RMC. Handsets with both HSDPA and HSUPA are tested according to Release 6 HSPA test procedures.

Handsets with Release 6 HSUPA

The 3G SAR test reduction procedure is applied to HSPA (HSUPA/HSDPA with RMC) body-worn configurations with 12.2 kbps RMC as the primary mode. Otherwise, SAR is measured for HSPA using the HSPA body SAR procedures in the "Release 6 HSPA Data Devices", for the highest reported body-worn exposure SAR configuration in 12.2 kbps RMC. When VOIP is applicable for next to the ear head exposure in HSPA, the 3G SAR test reduction procedure is applied to HSPA with 12.2 kbps RMC as the primary mode; otherwise, the same HSPA configuration used for body-worn measurements is tested for next to the ear head exposure.

Release 5 HSDPA Data Devices

The 3G SAR test reduction procedure is applied to body SAR with 12.2 kbps RMC as the primary mode. Otherwise, body SAR for HSDPA is measured using an FRC with H-Set 1 in Sub-test 1 and a 12.2 kbps RMC configured in Test Loop Mode 1, for the highest reported SAR configuration in 12.2 kbps RMC without HSDPA. HSDPA is configured according to the applicable UE category of a test device. The number of HS-DSCH / HS-PDSCHs, HARQ processes, minimum inter-TTI interval, transport block sizes and RV coding sequence are defined by the H-set. To maintain a consistent test configuration and stable transmission conditions, QPSK is used in the H-set for SAR testing. HS-DPCCH should be configured with a CQI feedback cycle of 4 ms and a CQI repetition factor of 2 to maintain a constant rate of active CQI slots. DPCCH and DPDCH gain factors (β_c , β_d), and HS-DPCCH power offset parameters (Δ_{ACK} , Δ_{NACK} , Δ_{CQI}) are set according to values indicated in below. The CQI value is determined by the UE category, transport block size, number of HS-PDSCHs and modulation used in the H-set.

FCC SAR Test Report

Sub-test	β_c	β_d	β_d (SF)	β_c/β_d	$\beta_{HS}^{(1)(2)}$	CM ⁽³⁾ (dB)	MPR ⁽³⁾ (dB)
1	2/15	15/15	64	2/15	4/15	0.0	0.0
2	12/15 ⁽⁴⁾	15/15 ⁽⁴⁾	64	12/15 ⁽⁴⁾	24/15	1.0	0.0
3	15/15	8/15	64	15/8	30/15	1.5	0.5
4	15/15	4/15	64	15/4	30/15	1.5	0.5

Note 1: Δ_{ACK} , Δ_{NACK} and $\Delta_{CQI} = 30/15$ with $\beta_{HS} = 30/15 * \beta_c$.
 Note 2: For the HS-DPCCH power mask requirement test in clause 5.2C, 5.7A, and the Error Vector Magnitude (EVM) with HS-DPCCH test in clause 5.13.1A, and HSDPA EVM with phase discontinuity in clause 5.13.1AA, Δ_{ACK} and $\Delta_{NACK} = 30/15$ with $\beta_{HS} = 30/15 * \beta_c$, and $\Delta_{CQI} = 24/15$ with $\beta_{HS} = 24/15 * \beta_c$.
 Note 3: CM = 1 for $\beta_c/\beta_d = 12/15$, $\beta_{HS}/\beta_c = 24/15$. For all other combinations of DPDCH, DPCCH and HS-DPCCH the MPR is based on the relative CM difference. This is applicable for only UEs that support HSDPA in release 6 and later releases.
 Note 4: For subtest 2 the β_c/β_d ratio of 12/15 for the TFC during the measurement period (TF1, TF0) is achieved by setting the signalled gain factors for the reference TFC (TF1, TF1) to $\beta_c = 11/15$ and $\beta_d = 15/15$.

Release 6 HSPA Data Devices

The 3G SAR test reduction procedure is applied to body SAR with 12.2 kbps RMC as the primary mode. Otherwise, body SAR for HSPA is measured with E-DCH Sub-test 5, using H-Set 1 and QPSK for FRC and a 12.2 kbps RMC configured in Test Loop Mode 1 and power control algorithm 2, according to the highest reported body SAR configuration in 12.2 kbps RMC without HSPA. When VOIP applies to head exposure, the 3G SAR test reduction procedure is applied with 12.2 kbps RMC as the primary mode. Otherwise, the same HSPA configuration used for body SAR measurements are applied to head exposure testing. Due to inner loop power control requirements in HSPA, a communication test set is required for output power and SAR tests. The 12.2 kbps RMC, FRC H-set 1 and E-DCH configurations for HSPA are configured according to the β values indicated in below.

Sub-test	β_c	β_d	β_d (SF)	β_c / β_d	$\beta_{HS}^{(1)}$	β_{ec}	$\beta_{ed}^{(4)(5)}$	β_{ed} (SF)	β_{ed} (Codes)	CM ⁽²⁾ (dB)	MPR ⁽²⁾⁽⁶⁾ (dB)	AG ⁽⁵⁾ Index	E-TFCI
1	11/15 ⁽³⁾	15/15 ⁽³⁾	64	11/15 ⁽³⁾	22/15	209/225	1309/225	4	1	1.0	0.0	20	75
2	6/15	15/15	64	6/15	12/15	12/15	94/75	4	1	3.0	2.0	12	67
3	15/15	9/15	64	15/9	30/15	30/15	$\beta_{ed1}: 47/15$ $\beta_{ed2}: 47/15$	4 4	2	2.0	1.0	15	92
4	2/15	15/15	64	2/15	4/15	2/15	56/75	4	1	3.0	2.0	17	71
5	15/15	0	-	-	5/15	5/15	47/15	4	1	1.0	0.0	12	67

Note 1: For sub-test 1 to 4, Δ_{ACK} , Δ_{NACK} and $\Delta_{CQI} = 30/15$ with $\beta_{HS} = 30/15 * \beta_c$. For sub-test 5, Δ_{ACK} , Δ_{NACK} and $\Delta_{CQI} = 5/15$ with $\beta_{HS} = 5/15 * \beta_c$.
 Note 2: CM = 1 for $\beta_c/\beta_d = 12/15$, $\beta_{HS}/\beta_c = 24/15$. For all other combinations of DPDCH, DPCCH, HS-DPCCH, E-DPDCH and E-DPCCH the MPR is based on the relative CM difference.
 Note 3: For subtest 1 the β_c/β_d ratio of 11/15 for the TFC during the measurement period (TF1, TF0) is achieved by setting the signalled gain factors for the reference TFC (TF1, TF1) to $\beta_c = 10/15$ and $\beta_d = 15/15$.
 Note 4: In case of testing by UE using E-DPDCH Physical Layer category 1, Sub-test 3 is omitted according to TS25.306 Table 5.1g.
 Note 5: β_{ed} can not be set directly; it is set by Absolute Grant Value.
 Note 6: For subtests 2, 3 and 4, UE may perform E-DPDCH power scaling at max power which could results in slightly smaller MPR values.

DC-HSDPA SAR Guidance

The 3G SAR test reduction procedure is applied to DC-HSDPA with 12.2 kbps RMC as the primary mode. Otherwise, when SAR is required for Rel. 5 HSDPA, SAR is required for Rel. 8 DC-HSDPA. Power is measured for DC-HSDPA according to the H-Set 12, FRC configuration in Table C.8.1.12 of 3GPP TS 34.121-1 to determine SAR test reduction. A primary and a secondary serving HS-DSCH Cell are required to perform the power measurement and for the results to be acceptable.

FCC SAR Test Report

<Considerations Related to LTE for Setup and Testing>

This device contains LTE transmitter which follows 3GPP standards, is category 3, supports both QPSK and 16QAM modulations, and supported LTE band and channel bandwidth is listed in below. The output power was tested per 3GPP TS 36.521-1 maximum transmit procedures for both QPSK and 16QAM modulation. The results please refer to section 4.6 of this report.

EUT Supported LTE Band and Channel Bandwidth						
LTE Band	BW 1.4 MHz	BW 3 MHz	BW 5 MHz	BW 10 MHz	BW 15 MHz	BW 20 MHz
2	V	V	V	V	V	V
4	V	V	V	V	V	V
5	V	V	V	V		
7			V	V	V	V
12	V	V	V	V		
17			V	V		

The LTE maximum power reduction (MPR) in accordance with 3GPP TS 36.101 is active all times during LTE operation. The allowed MPR for the maximum output power is specified in below.

Modulation	Channel Bandwidth / RB Configurations						LTE MPR Setting (dB)
	BW 1.4 MHz	BW 3 MHz	BW 5 MHz	BW 10 MHz	BW 15 MHz	BW 20 MHz	
QPSK	> 5	> 4	> 8	> 12	> 16	> 18	1
16QAM	<= 5	<= 4	<= 8	<= 12	<= 16	<= 18	1
16QAM	> 5	> 4	> 8	> 12	> 16	> 18	2
64QAM	<= 5	<= 4	<= 8	<= 12	<= 16	<= 18	2
64QAM	> 5	> 4	> 8	> 12	> 16	> 18	3

Note: MPR is according to the standard and implemented in the circuit (mandatory).

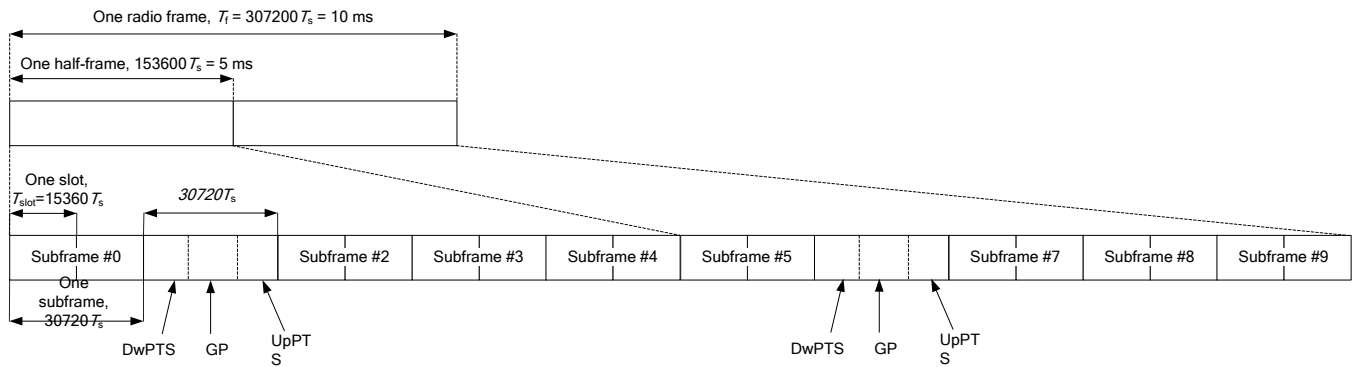
In addition, the device is compliant with additional maximum power reduction (A-MPR) requirements defined in 3GPP TS 36.101 section 6.2.4 that was disabled for all FCC compliance testing.

During LTE SAR testing, the related parameters of operating band, channel bandwidth, uplink channel number, modulation type, and RB was set in base station simulator. When the EUT has registered and communicated to base station simulator, the simulator set to make EUT transmitting the maximum radiated power.

TDD-LTE Setup Configurations

According to KDB 941225 D05, SAR testing for TDD-LTE device must be tested using a fixed periodic duty factor according to the highest transmission duty factor implemented for the device and supported by the defined 3GPP TDD-LTE configurations. The TDD-LTE of this device supports frame structure type 2 defined in 3GPP TS 36.211 section 4.2, and the frame structure configuration can be referred to below.

FCC SAR Test Report



3GPP TS 36.211 Figure 4.2-1: Frame Structure Type 2

Special Subframe Configuration	Normal Cyclic Prefix in Downlink			Extended Cyclic Prefix in Downlink		
	DwPTS	UpPTS		DwPTS	UpPTS	
		Normal Cyclic Prefix in Uplink	Extended Cyclic Prefix in Uplink		Normal Cyclic Prefix in Uplink	Extended Cyclic Prefix in Uplink
0	6592 · Ts	2192 · Ts	2560 · Ts	7680 · Ts	2192 · Ts	2560 · Ts
1	19760 · Ts			20480 · Ts		
2	21952 · Ts			23040 · Ts		
3	24144 · Ts			25600 · Ts		
4	26336 · Ts			7680 · Ts		
5	6592 · Ts	4384 · Ts	5120 · Ts	20480 · Ts	4384 · Ts	5120 · Ts
6	19760 · Ts			23040 · Ts		
7	21952 · Ts			12800 · Ts		
8	24144 · Ts			-		
9	13168 · Ts	-	-	-	-	-

3GPP TS 36.211 Table 4.2-1: Configuration of Special Subframe

Uplink-Downlink Configuration	Downlink-to-Uplink Switch-Point Periodicity	Subframe Number										
		0	1	2	3	4	5	6	7	8	9	
0	5 ms	D	S	U	U	U	D	S	U	U	U	
1	5 ms	D	S	U	U	D	D	S	U	U	D	
2	5 ms	D	S	U	D	D	D	S	U	D	D	
3	10 ms	D	S	U	U	U	D	D	D	D	D	
4	10 ms	D	S	U	U	D	D	D	D	D	D	
5	10 ms	D	S	U	D	D	D	D	D	D	D	
6	5 ms	D	S	U	U	U	D	S	U	U	D	

3GPP TS 36.211 Table 4.2-2: Uplink-Downlink Configurations

The variety of different TD-LTE uplink-downlink configurations allows a network operator to allocate the network's capacity between uplink and downlink traffic to meet the needs of the network. The uplink duty cycle of these seven configurations can readily be computed and shown in below.

UL-DL Configuration	0	1	2	3	4	5	6
Highest Duty-Cycle	63.33%	43.33%	23.33%	31.67%	21.67%	11.67%	53.33%

Considering the highest transmission duty cycle, TDD-LTE was tested using Uplink-Downlink Configuration 0 with 6 uplink subframe and 2 special subframe. The special subframe was set to special subframe configuration 7 using extended cyclic prefix uplink. Therefore, SAR testing for TDD-LTE was performed at the maximum output power with highest transmission duty cycle of 63.33%.

<Considerations Related to WLAN for Setup and Testing>

In general, various vendor specific external test software and chipset based internal test modes are typically used for SAR measurement. These chipset based test mode utilities are generally hardware and manufacturer dependent, and often include substantial flexibility to reconfigure or reprogram a device. A Wi-Fi device must be configured to transmit continuously at the required data rate, channel bandwidth and signal modulation, using the highest transmission duty factor supported by the test mode tools for SAR measurement. The test frequencies established using test mode must correspond to the actual channel frequencies. When 802.11 frame gaps are accounted for in the transmission, a maximum transmission duty factor of 92 - 96% is typically achievable in most test mode configurations. A minimum transmission duty factor of 85% is required to avoid certain hardware and device implementation issues related to wide range SAR scaling. In addition, a periodic transmission duty factor is required for current generation SAR systems to measure SAR correctly. The reported SAR must be scaled to 100% transmission duty factor to determine compliance at the maximum tune-up tolerance limit.

According to KDB 248227 D01, this device has installed WLAN engineering testing software which can provide continuous transmitting RF signal. During WLAN SAR testing, this device was operated to transmit continuously at the maximum transmission duty with specified transmission mode, operating frequency, lowest data rate, and maximum output power.

Initial Test Configuration

An initial test configuration is determined for OFDM transmission modes in 2.4 GHz and 5 GHz bands according to the channel bandwidth, modulation and data rate combination(s) with the highest maximum output power specified for production units in each standalone and aggregated frequency band. When the same maximum power is specified for multiple transmission modes in a frequency band, the largest channel bandwidth, lowest order modulation, lowest data rate and lowest order 802.11a/g/n/ac mode is used for SAR measurement, on the highest measured output power channel in the initial test configuration, for each frequency band.

Subsequent Test Configuration

SAR measurement requirements for the remaining 802.11 transmission mode configurations that have not been tested in the initial test configuration are determined separately for each standalone and aggregated frequency band, in each exposure condition, according to the maximum output power specified for production units. Additional power measurements may be required to determine if SAR measurements are required for subsequent highest output power channels in a subsequent test configuration. When the highest reported SAR for the initial test configuration according to the initial test position or fixed exposure position requirements, is adjusted by the ratio of the subsequent test configuration to initial test configuration specified maximum output power and the adjusted SAR is ≤ 1.2 W/kg, SAR is not required for that subsequent test configuration.

SAR Test Configuration and Channel Selection

When multiple channel bandwidth configurations in a frequency band have the same specified maximum output power, the initial test configuration is using largest channel bandwidth, lowest order modulation, lowest data rate, and lowest order 802.11 mode (i.e., 802.11a is chosen over 802.11n then 802.11ac or 802.11g is chosen over 802.11n). After an initial test configuration is determined, if multiple test channels have the same measured maximum output power, the channel chosen for SAR measurement is determined according to the following.

- 1) The channel closest to mid-band frequency is selected for SAR measurement.
- 2) For channels with equal separation from mid-band frequency; for example, high and low channels or two mid-band channels, the higher frequency (number) channel is selected for SAR measurement.

<Considerations Related to Bluetooth for Setup and Testing>

This device has installed Bluetooth engineering testing software which can provide continuous transmitting RF signal. During Bluetooth SAR testing, this device was operated to transmit continuously at the maximum transmission duty with specified transmission mode, operating frequency, lowest data rate, and maximum output power.

4.2 EUT Testing Position

According to KDB 648474 D04, handsets are tested for SAR compliance in head, body-worn accessory and other use configurations described in the following subsections.

4.2.1 Head Exposure Conditions

Head exposure is limited to next to the ear voice mode operations. Head SAR compliance is tested according to the test positions defined in IEEE Std 1528-2003 using the SAM phantom illustrated as below.

1. Define two imaginary lines on the handset
 - (a) The vertical centerline passes through two points on the front side of the handset - the midpoint of the width w_t of the handset at the level of the acoustic output, and the midpoint of the width w_b of the bottom of the handset.
 - (b) The horizontal line is perpendicular to the vertical centerline and passes through the center of the acoustic output. The horizontal line is also tangential to the face of the handset at point A.
 - (c) The two lines intersect at point A. Note that for many handsets, point A coincides with the center of the acoustic output; however, the acoustic output may be located elsewhere on the horizontal line. Also note that the vertical centerline is not necessarily parallel to the front face of the handset, especially for clamshell handsets, handsets with flip covers, and other irregularly shaped handsets.

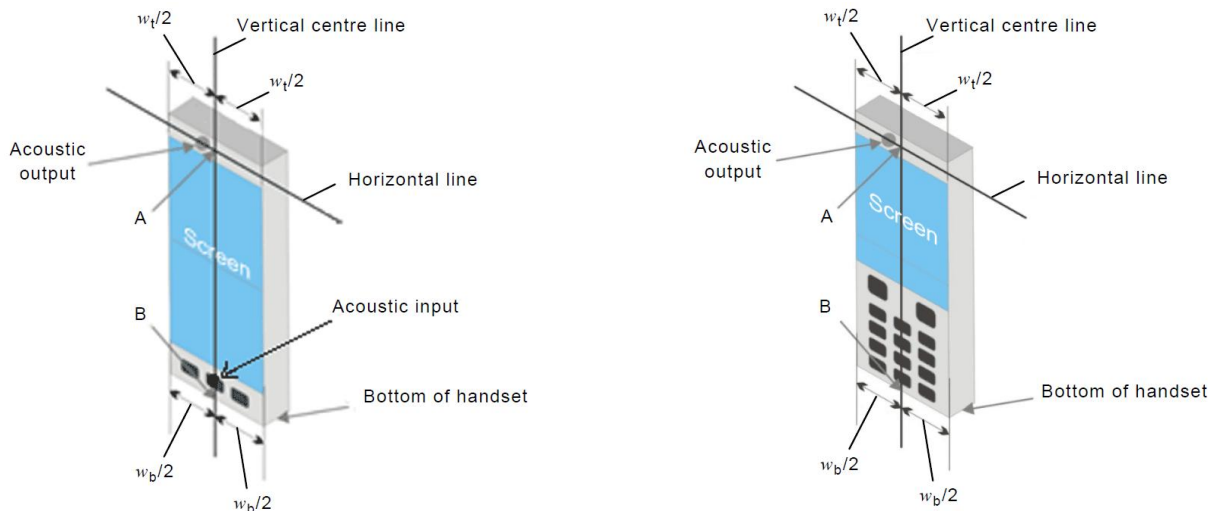


Fig-4.1 Illustration for Handset Vertical and Horizontal Reference Lines

2. Cheek Position

- (a) To position the device with the vertical center line of the body of the device and the horizontal line crossing the center piece in a plane parallel to the sagittal plane of the phantom. While maintaining the device in this plane, align the vertical center line with the reference plane containing the three ear and mouth reference point (M: Mouth, RE: Right Ear, and LE: Left Ear) and align the center of the ear piece with the line RE-LE.
- (b) To move the device towards the phantom with the ear piece aligned with the line LE-RE until the phone touched the ear. While maintaining the device in the reference plane and maintaining the phone contact with the ear, move the bottom of the phone until any point on the front side is in contact with the cheek of the phantom or until contact with the ear is lost (see Fig-4.2).

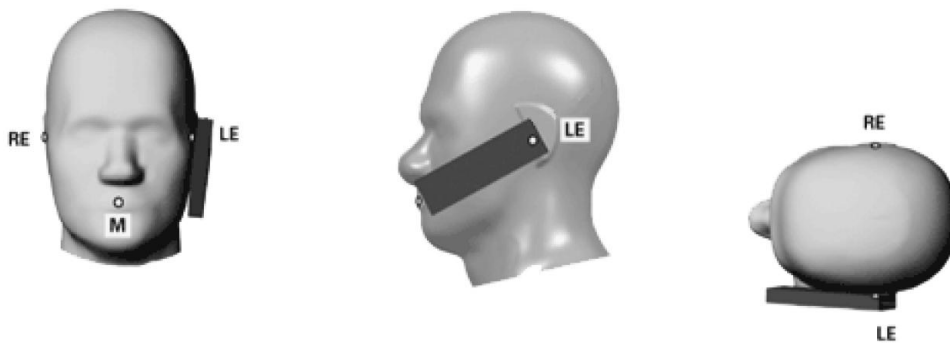


Fig-4.2 Illustration for Cheek Position

3. Tilted Position

- (a) To position the device in the “cheek” position described above.
- (b) While maintaining the device the reference plane described above and pivoting against the ear, moves it outward away from the mouth by an angle of 15 degrees or until contact with the ear is lost (see Fig-4.3).

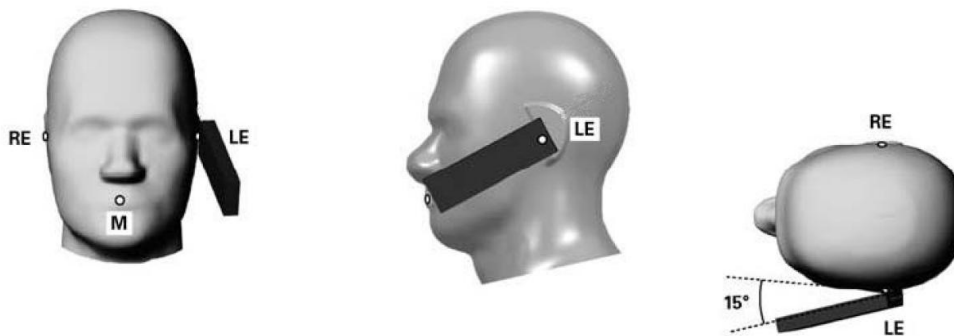


Fig-4.3 Illustration for Tilted Position

4.2.2 Body-worn Accessory Exposure Conditions

Body-worn accessory exposure is typically related to voice mode operations when handsets are carried in body-worn accessories. The body-worn accessory procedures in KDB 447498 are used to test for body-worn accessory SAR compliance, without a headset connected to it. This enables the test results for such configuration to be compatible with that required for hotspot mode when the body-worn accessory test separation distance is greater than or equal to that required for hotspot mode. When the reported SAR for a body-worn accessory, measured without a headset connected to the handset, is > 1.2 W/kg, the highest reported SAR configuration for that wireless mode and frequency band should be repeated for that body-worn accessory with a headset attached to the handset.

Body-worn accessories that do not contain metallic or conductive components may be tested according to worst-case exposure configurations, typically according to the smallest test separation distance required for the group of body-worn accessories with similar operating and exposure characteristics. All body-worn accessories containing metallic components are tested in conjunction with the host device.

Body-worn accessory SAR compliance is based on a single minimum test separation distance for all wireless and operating modes applicable to each body-worn accessory used by the host, and according to the relevant voice and/or data mode transmissions and operations. If a body-worn accessory supports voice only operations in its normal and expected use conditions, testing of data mode for body-worn compliance is not required.

A conservative minimum test separation distance for supporting off-the-shelf body-worn accessories that may be acquired by users of consumer handsets is used to test for body-worn accessory SAR compliance. This distance is determined by the handset manufacturer, according to the requirements of Supplement C 01-01. Devices that are designed to operate on the body of users using lanyards and straps, or without requiring additional body-worn accessories, will be tested using a conservative minimum test separation distance ≤ 5 mm to support compliance.

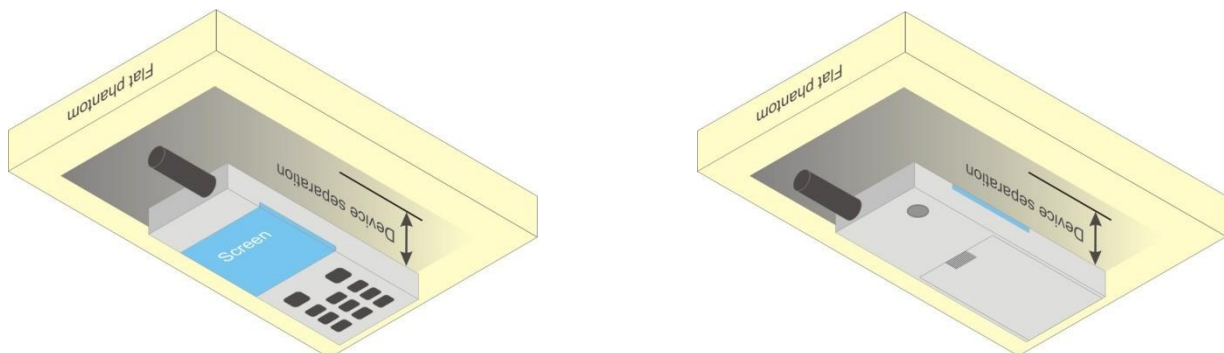
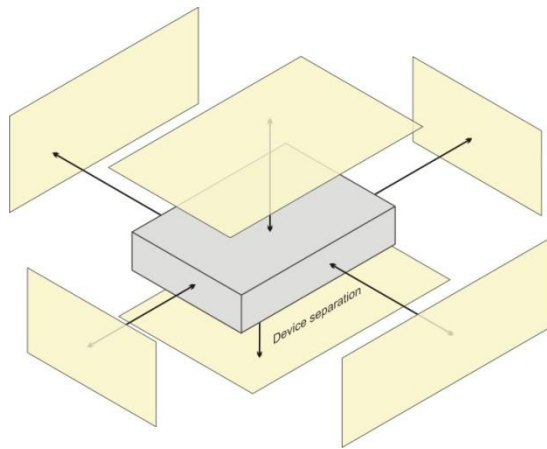


Fig-4.4 Illustration for Body Worn Position

4.2.3 Hotspot Mode Exposure Conditions

For handsets that support hotspot mode operations, with wireless router capabilities and various web browsing functions, the relevant hand and body exposure conditions are tested according to the hotspot SAR procedures in KDB 941225 D06. A test separation distance of 10 mm is required between the phantom and all surfaces and edges with a transmitting antenna located within 25 mm from that surface or edge. When the form factor of a handset is smaller than 9 cm x 5 cm, a test separation distance of 5 mm (instead of 10 mm) is required for testing hotspot mode. When the separation distance required for body-worn accessory testing is larger than or equal to that tested for hotspot mode, in the same wireless mode and for the same surface of the phone, the hotspot mode SAR data may be used to support body-worn accessory SAR compliance for that particular configuration (surface).



Based on the antenna location shown on appendix D of this report, the SAR testing required for hotspot mode is listed as below.

Antenna	Front Face	Rear Face	Left Side	Right Side	Top Side	Bottom Side
WWAN Ant-0	V	V	V	V		V
WWAN Ant-1	V	V	V	V	V	
BT/ WLAN Ant	V	V	V		V	

4.2.4 Product Specific (Phablet) Exposure Conditions

For smart phones with a display diagonal dimension > 15 cm or an overall diagonal dimension > 16 cm that provide similar mobile web access and multimedia support found in mini-tablets or UMPC mini-tablets that support voice calls next to the ear, the following phablet procedures should be applied to evaluate SAR compliance for each applicable wireless modes and frequency band. Devices marketed as phablets, regardless of form factors and operating characteristics must be tested as a phablet to determine SAR compliance.

1. The normally required head and body-worn accessory SAR test procedures for handsets, including hotspot mode, must be applied.
2. The UMPC mini-tablet procedures must also be applied to test the SAR of all surfaces and edges with an antenna located at ≤ 25 mm from that surface or edge, in direct contact with a flat phantom, for 10-g extremity SAR according to the body-equivalent tissue dielectric parameters in KDB 865664 to address interactive hand use exposure conditions. The UMPC mini-tablet 1-g SAR at 5 mm is not required. When hotspot mode applies, 10-g extremity SAR is required only for the surfaces and edges with hotspot mode 1-g SAR > 1.2 W/kg. The normal tablet procedures in KDB 616217 are required when the over diagonal dimension of the device is > 20 cm. Hotspot mode SAR is not required when normal tablet procedures are applied. Extremity 10-g SAR is also not required for the front (top) surface of large form factor full size tablets. The more conservative tablet SAR results can be used to support the 10-g extremity SAR for phablet mode.
3. The simultaneous transmission operating configurations applicable to voice and data transmissions for both phone and mini-tablet modes must be taken into consideration separately for 1-g and 10-g SAR to determine the simultaneous transmission SAR test exclusion and measurement requirements for the relevant wireless modes and exposure conditions.

4.3 Tissue Verification

The measuring results for tissue simulating liquid are shown as below.

Test Date	Tissue Type	Frequency (MHz)	Liquid Temp. (°C)	Measured Conductivity (σ)	Measured Permittivity (ε _r)	Target Conductivity (σ)	Target Permittivity (ε _r)	Conductivity Deviation (%)	Permittivity Deviation (%)
Nov. 21, 2017	Head	750	23.6	0.895	41.325	0.89	41.9	0.56	-1.37
Nov. 26, 2017	Head	750	23.2	0.89	42.416	0.89	41.9	0.00	1.23
Nov. 21, 2017	Head	835	23.6	0.934	41.5	0.9	41.5	3.78	0.00
Nov. 24, 2017	Head	835	23.2	0.938	42.585	0.9	41.5	4.22	2.61
Nov. 24, 2017	Head	835	23.3	0.92	41.465	0.9	41.5	2.22	-0.08
Nov. 18, 2017	Head	1750	23.3	1.335	38.757	1.37	40.1	-2.55	-3.35
Nov. 18, 2017	Head	1900	23.3	1.46	38.262	1.4	40	4.29	-4.35
Nov. 26, 2017	Head	2450	23.2	1.87	37.942	1.8	39.2	3.89	-3.21
Nov. 21, 2017	Head	2600	23.6	2.011	38.179	1.96	39	2.60	-2.11
Dec. 11, 2017	Head	2600	23.3	2.035	38.413	1.96	39	3.83	-1.51
Nov. 26, 2017	Head	5250	23.2	4.846	35.694	4.71	35.9	2.89	-0.57
Nov. 26, 2017	Head	5600	23.2	5.17	35.172	5.07	35.5	1.97	-0.92
Nov. 26, 2017	Head	5800	23.3	5.367	34.872	5.27	35.3	1.84	-1.21
Nov. 20, 2017	Body	750	23.6	0.958	53.08	0.96	55.5	-0.21	-4.36
Nov. 18, 2017	Body	835	23.3	1.017	57.276	0.97	55.2	4.85	3.76
Nov. 20, 2017	Body	835	23.6	1.018	54.609	0.97	55.2	4.95	-1.07
Nov. 18, 2017	Body	1750	23.5	1.433	52.023	1.49	53.4	-3.83	-2.58
Nov. 24, 2017	Body	1750	23.3	1.441	51.719	1.49	53.4	-3.29	-3.15
Nov. 18, 2017	Body	1900	23.3	1.583	51.6	1.52	53.3	4.14	-3.19
Nov. 24, 2017	Body	1900	23.3	1.555	51.48	1.52	53.3	2.30	-3.41
Nov. 28, 2017	Body	2450	23.4	2.02	50.562	1.95	52.7	3.59	-4.06
Nov. 18, 2017	Body	2600	23.2	2.168	50.864	2.16	52.5	0.37	-3.12
Dec. 11, 2017	Body	2600	23	2.192	51.565	2.16	52.5	1.48	-1.78
Nov. 27, 2017	Body	5250	23.4	5.401	49.134	5.36	48.9	0.76	0.48
Nov. 28, 2017	Body	5250	23.3	5.346	49.398	5.36	48.9	-0.26	1.02
Nov. 28, 2017	Body	5600	23.3	5.852	48.725	5.77	48.5	1.42	0.46
Nov. 28, 2017	Body	5800	23.2	6.113	48.226	6	48.2	1.88	0.05

Test Date	Tissue Type	Frequency (MHz)	Liquid Temp. (°C)	Measured Conductivity (σ)	Measured Permittivity (ε _r)	Target Conductivity (σ)	Target Permittivity (ε _r)	Conductivity Deviation (%)	Permittivity Deviation (%)
Nov. 28, 2017	Body	2450	23.4	2.02	50.562	1.95	52.7	3.59	-4.06
Nov. 28, 2017	Body	5250	23.3	5.346	49.398	5.36	48.9	-0.26	1.02
Nov. 28, 2017	Body	5600	23.3	5.852	48.725	5.77	48.5	1.42	0.46

Note:

1. The dielectric properties of the tissue simulating liquid must be measured within 24 hours before the SAR testing and within ±5% of the target values. Liquid temperature during the SAR testing must be within ±2 °C .
2. Since the maximum deviation of dielectric properties of the tissue simulating liquid is within 5%, SAR correction is evaluated in the measurement uncertainty shown on section 6 of this report.

4.4 System Validation

The SAR measurement system was validated according to procedures in KDB 865664 D01. The validation status in tabulated summary is as below.

Test Date	Probe S/N	Calibration Point		Measured Conductivity (σ)	Measured Permittivity (ϵ_r)	Validation for CW			Validation for Modulation		
						Sensitivity Range	Probe Linearity	Probe Isotropy	Modulation Type	Duty Factor	PAR
Nov. 21, 2017	7375	Head	750	0.895	41.325	Pass	Pass	Pass	N/A	N/A	N/A
Nov. 26, 2017	3650	Head	750	0.89	42.416	Pass	Pass	Pass	N/A	N/A	N/A
Nov. 21, 2017	7375	Head	835	0.934	41.5	Pass	Pass	Pass	N/A	N/A	N/A
Nov. 24, 2017	3650	Head	835	0.938	42.585	Pass	Pass	Pass	GMSK	Pass	N/A
Nov. 24, 2017	3650	Head	835	0.92	41.465	Pass	Pass	Pass	N/A	N/A	N/A
Nov. 18, 2017	3971	Head	1750	1.335	38.757	Pass	Pass	Pass	N/A	N/A	N/A
Nov. 18, 2017	3971	Head	1900	1.46	38.262	Pass	Pass	Pass	GMSK	Pass	N/A
Nov. 26, 2017	3650	Head	2450	1.87	37.942	Pass	Pass	Pass	OFDM	N/A	Pass
Nov. 21, 2017	7375	Head	2600	2.011	38.179	Pass	Pass	Pass	N/A	N/A	N/A
Dec. 11, 2017	3971	Head	2600	2.035	38.413	Pass	Pass	Pass	N/A	N/A	N/A
Nov. 26, 2017	3650	Head	5250	4.846	35.694	Pass	Pass	Pass	OFDM	N/A	Pass
Nov. 26, 2017	3650	Head	5600	5.17	35.172	Pass	Pass	Pass	OFDM	N/A	Pass
Nov. 26, 2017	3650	Head	5800	5.367	34.872	Pass	Pass	Pass	OFDM	N/A	Pass
Nov. 20, 2017	7375	Body	750	0.958	53.08	Pass	Pass	Pass	N/A	N/A	N/A
Nov. 18, 2017	7375	Body	835	1.017	57.276	Pass	Pass	Pass	GMSK	Pass	N/A
Nov. 20, 2017	7375	Body	835	1.018	54.609	Pass	Pass	Pass	N/A	N/A	N/A
Nov. 18, 2017	7375	Body	1750	1.433	52.023	Pass	Pass	Pass	N/A	N/A	N/A
Nov. 24, 2017	3650	Body	1750	1.441	51.719	Pass	Pass	Pass	N/A	N/A	N/A
Nov. 18, 2017	7375	Body	1900	1.583	51.6	Pass	Pass	Pass	GMSK	Pass	N/A
Nov. 24, 2017	3650	Body	1900	1.555	51.48	Pass	Pass	Pass	GMSK	Pass	N/A
Nov. 28, 2017	7375	Body	2450	2.02	50.562	Pass	Pass	Pass	OFDM	N/A	Pass
Nov. 18, 2017	7375	Body	2600	2.168	50.864	Pass	Pass	Pass	N/A	N/A	N/A
Dec. 11, 2017	3971	Body	2600	2.192	51.565	Pass	Pass	Pass	N/A	N/A	N/A
Nov. 27, 2017	3971	Body	5250	5.401	49.134	Pass	Pass	Pass	N/A	N/A	N/A
Nov. 28, 2017	7375	Body	5250	5.346	49.398	Pass	Pass	Pass	N/A	N/A	N/A
Nov. 28, 2017	7375	Body	5600	5.852	48.725	Pass	Pass	Pass	OFDM	N/A	Pass
Nov. 28, 2017	7375	Body	5800	6.113	48.226	Pass	Pass	Pass	OFDM	N/A	Pass

Test Date	Probe S/N	Calibration Point		Measured Conductivity (σ)	Measured Permittivity (ϵ_r)	Validation for CW			Validation for Modulation		
						Sensitivity Range	Probe Linearity	Probe Isotropy	Modulation Type	Duty Factor	PAR
Nov. 28, 2017	7375	Body	2450	2.02	50.562	Pass	Pass	Pass	OFDM	N/A	Pass
Nov. 28, 2017	7375	Body	5250	5.346	49.398	Pass	Pass	Pass	OFDM	N/A	Pass
Nov. 28, 2017	7375	Body	5600	5.852	48.725	Pass	Pass	Pass	OFDM	N/A	Pass

4.5 System Verification

The measuring result for system verification is tabulated as below.

Test Date	Mode	Frequency (MHz)	1W Target SAR-1g (W/kg)	Measured SAR-1g (W/kg)	Normalized to 1W SAR-1g (W/kg)	Deviation (%)	Dipole S/N	Probe S/N	DAE S/N
Nov. 21, 2017	Head	750	8.25	1.98	7.92	-4.00	1013	7375	579
Nov. 26, 2017	Head	750	8.25	2.02	8.08	-2.06	1013	3650	1277
Nov. 21, 2017	Head	835	9.41	2.30	9.20	-2.23	4d121	7375	579
Nov. 24, 2017	Head	835	9.41	2.41	9.64	2.44	4d121	3650	1277
Nov. 24, 2017	Head	835	9.41	2.28	9.12	-3.08	4d121	3650	1277
Nov. 18, 2017	Head	1750	36.20	8.72	34.88	-3.65	1055	3971	861
Nov. 18, 2017	Head	1900	40.20	9.99	39.96	-0.60	5d036	3971	861
Nov. 26, 2017	Head	2450	50.80	12.80	51.20	0.79	737	3650	1277
Nov. 21, 2017	Head	2600	56.90	14.60	58.40	2.64	1020	7375	579
Dec. 11, 2017	Head	2600	56.90	14.40	57.60	1.23	1020	3971	861
Nov. 26, 2017	Head	5250	78.60	7.93	79.30	0.89	1019	3650	1277
Nov. 26, 2017	Head	5600	83.70	7.98	79.80	-4.66	1019	3650	1277
Nov. 26, 2017	Head	5800	79.70	8.32	83.20	4.39	1019	3650	1277
Nov. 20, 2017	Body	750	8.72	2.05	8.20	-5.96	1013	7375	579
Nov. 18, 2017	Body	835	9.61	2.58	10.32	7.39	4d121	7375	579
Nov. 20, 2017	Body	835	9.61	2.33	9.32	-3.02	4d121	7375	579
Nov. 18, 2017	Body	1750	37.10	8.64	34.56	-6.85	1055	7375	579
Nov. 24, 2017	Body	1750	37.10	8.77	35.08	-5.44	1055	3650	1277
Nov. 18, 2017	Body	1900	40.10	10.10	40.40	0.75	5d036	7375	579
Nov. 24, 2017	Body	1900	40.10	10.10	40.40	0.75	5d036	3650	1277
Nov. 28, 2017	Body	2450	49.70	12.40	49.60	-0.20	737	7375	579
Nov. 18, 2017	Body	2600	54.30	14.10	56.40	3.87	1020	7375	579
Dec. 11, 2017	Body	2600	54.30	13.20	52.80	-2.76	1020	3971	861
Nov. 27, 2017	Body	5250	76.50	7.53	75.30	-1.57	1019	3971	861
Nov. 28, 2017	Body	5250	76.50	7.63	76.30	-0.26	1019	7375	579
Nov. 28, 2017	Body	5600	79.70	7.75	77.50	-2.76	1019	7375	579
Nov. 28, 2017	Body	5800	76.90	7.53	75.30	-2.08	1019	7375	579

Test Date	Mode	Frequency (MHz)	1W Target SAR-10g (W/kg)	Measured SAR-10g (W/kg)	Normalized to 1W SAR-10g (W/kg)	Deviation (%)	Dipole S/N	Probe S/N	DAE S/N
Nov. 28, 2017	Body	2450	23.40	5.76	23.04	-1.54	737	7375	579
Nov. 28, 2017	Body	5250	21.30	2.17	21.70	1.88	1019	7375	579
Nov. 28, 2017	Body	5600	22.30	2.16	21.60	-3.14	1019	7375	579

Note:

Comparing to the reference SAR value provided by SPEAG, the validation data should be within its specification of 10 %. The result indicates the system check can meet the variation criterion and the plots can be referred to Appendix A of this report.

4.6 Maximum Output Power

4.6.1 Maximum Target Conducted Power

The maximum conducted average power (Unit: dBm) including tune-up tolerance is shown as below.

Mode	Maximum Burst-Averaged Output Power		Maximum Frame-Averaged Output Power		Power Reduction (dB)
	GSM850 (without Power Reduction)	GSM850 (with Power Reduction)	GSM850 (without Power Reduction)	GSM850 (without Power Reduction)	
GSM (GMSK, 1Tx-slot)	34	31.5	25	22.5	2.5
GPRS (GMSK, 1Tx-slot)	34	31.5	25	22.5	2.5
GPRS (GMSK, 2Tx-slot)	30	27.5	24	21.5	2.5
GPRS (GMSK, 3Tx-slot)	28.2	26	23.9	21.7	2.2
GPRS (GMSK, 4Tx-slot)	27	25	24	22	2.0
EDGE (8PSK, 1Tx-slot)	26	26	17	17	0
EDGE (8PSK, 2Tx-slot)	25	22.5	19.0	16.5	2.5
EDGE (8PSK, 3Tx-slot)	24	22	19.74	17.74	2.0
EDGE (8PSK, 4Tx-slot)	22	20.5	19	17.5	1.5

Mode	Maximum Burst-Averaged Output Power		Maximum Frame-Averaged Output Power		Power Reduction (dB)
	GSM1900 (without Power Reduction)	GSM1900 (with Power Reduction)	GSM1900 (without Power Reduction)	GSM1900 (with Power Reduction)	
GSM (GMSK, 1Tx-slot)	31	28.5	22	19.5	2.5
GPRS (GMSK, 1Tx-slot)	31	28.5	22	19.5	2.5
GPRS (GMSK, 2Tx-slot)	27	25	21	19	2.0
GPRS (GMSK, 3Tx-slot)	25.2	23	20.9	18.7	2.2
GPRS (GMSK, 4Tx-slot)	24	21.5	21	18.5	2.5
EDGE (8PSK, 1Tx-slot)	25	25	16	16	0
EDGE (8PSK, 2Tx-slot)	25	25	19.0	19.0	0
EDGE (8PSK, 3Tx-slot)	24	23	19.74	18.74	1
EDGE (8PSK, 4Tx-slot)	22	22	19	19	0

Note:

1. SAR testing was performed on the maximum frame-averaged power mode.
2. The frame-averaged power is linearly proportion to the slot number configured and it is linearly scaled the maximum burst-averaged power based on time slots. The calculated method is shown as below:

$$\text{Frame-averaged power} = 10 \times \log (\text{Burst-averaged power mW} \times \text{Slot used} / 8)$$

FCC SAR Test Report

Mode	WCDMA Band II (without Power Reduction)	WCDMA Band II (with Power Reduction)	Power Reduction (dB)
RMC 12.2K	25	20	5.0
HSDPA / HSUPA / DC-HSDPA	24	18.5	5.5

Mode	WCDMA Band IV (without Power Reduction)	WCDMA Band IV (with Power Reduction)	Power Reduction (dB)
RMC 12.2K	25	21	4
HSDPA / HSUPA / DC-HSDPA	24	20	4

Mode	WCDMA Band V (without Power Reduction)	WCDMA Band V (with Power Reduction)	Power Reduction (dB)
RMC 12.2K	25	22.5	2.5
HSDPA / HSUPA / DC-HSDPA	24	21.5	2.5

Mode	MCS Index	LTE 2 (without Power Reduction)	LTE 2 (with Power Reduction)	Power Reduction (dB)
Maximum Target Power	QPSK	24	20	4.0
	16QAM	23	20	3.0
	64QAM	22	20	2.0

Mode	MCS Index	LTE 4 (without Power Reduction)	LTE 4 (with Power Reduction)	Power Reduction (dB)
Maximum Target Power	QPSK	24	20	4.0
	16QAM	23	20	3.0
	64QAM	22	20	2.0

Mode	MCS Index	LTE 5 (without Power Reduction)	LTE 5 (with Power Reduction)	Power Reduction (dB)
Maximum Target Power	QPSK	24	21.5	2.5
	16QAM	23	21.5	1.5
	64QAM	22	21.5	0.5

Mode	MCS Index	LTE 7
Maximum Target Power	QPSK	25
	16QAM	24
	64QAM	23

Mode	MCS Index	LTE 12 (without Power Reduction)	LTE 12 (with Power Reduction)	Power Reduction (dB)
Maximum Target Power	QPSK	24	21.5	2.5
	16QAM	23	21.5	1.5
	64QAM	22	21.5	0.5

Mode	MCS Index	LTE 17 (without Power Reduction)	LTE 17 (with Power Reduction)	Power Reduction (dB)
Maximum Target Power	QPSK	24	21.5	2.5
	16QAM	23	21.5	1.5
	64QAM	22	21.5	0.5

FCC SAR Test Report

Mode	2.4G WLAN	5.2G WLAN	5.3G WLAN	5.6G WLAN	5.8G WLAN
802.11b	Ch 1_Ant0: 17 Ch 6_Ant0: 17 Ch 11_Ant0: 17	N/A	N/A	N/A	N/A
802.11g	Ch 1_Ant0: 15 Ch 6_Ant0: 15 Ch 11_Ant0: 15	N/A	N/A	N/A	N/A
802.11a	N/A	Ch 36_Ant0: 10 Ch 40_Ant0: 10 Ch 44_Ant0: 10 Ch 48_Ant0: 10	Ch 52_Ant0: 10 Ch 56_Ant0: 10 Ch 60_Ant0: 10 Ch 64_Ant0: 10	Ch 100_Ant0: 10 Ch 116_Ant0: 10 Ch 120_Ant0: 10 Ch 124_Ant0: 10 Ch 132_Ant0: 10 Ch 140_Ant0: 10 Ch 144_Ant0: 10	Ch 149_Ant0: 10 Ch 153_Ant0: 10 Ch 157_Ant0: 10 Ch 161_Ant0: 10 Ch 165_Ant0: 10
802.11n HT20	Ch 1_Ant0: 13 Ch 6_Ant0: 13 Ch 11_Ant0: 13	Ch 36_Ant0: 10 Ch 40_Ant0: 10 Ch 44_Ant0: 10 Ch 48_Ant0: 10	Ch 52_Ant0: 10 Ch 56_Ant0: 10 Ch 60_Ant0: 10 Ch 64_Ant0: 10	Ch 100_Ant0: 10 Ch 116_Ant0: 10 Ch 120_Ant0: 10 Ch 124_Ant0: 10 Ch 132_Ant0: 10 Ch 140_Ant0: 10 Ch 144_Ant0: 10	Ch 149_Ant0: 10 Ch 153_Ant0: 10 Ch 157_Ant0: 10 Ch 161_Ant0: 10 Ch 165_Ant0: 10
802.11n HT40	Ch 3_Ant0: 13 Ch 6_Ant0: 13 Ch 9_Ant0: 13	Ch 38_Ant0: 10 Ch 46_Ant0: 10	Ch 54_Ant0: 10 Ch 62_Ant0: 10	Ch 102_Ant0: 10 Ch 110_Ant0: 10 Ch 118_Ant0: 10 Ch 126_Ant0: 10 Ch 134_Ant0: 10 Ch 142_Ant0: 10	Ch 151_Ant0: 10 Ch 159_Ant0: 10
802.11ac VHT80+80	N/A	Ch 42_Ant0: 10	Ch 58_Ant0: 10	Ch 106_Ant0: 10 Ch 122_Ant0: 10 Ch 138_Ant0: 10	Ch 155_Ant0: 10

Mode	Channel	2.4G Bluetooth
Bluetooth EDR	0	10
	39	10
	78	9
Bluetooth LE	0	-0.5
	19	-0.5
	39	-0.5

FCC SAR Test Report

4.6.2 Measured Conducted Power Result

The measuring conducted average power (Unit: dBm) is shown as below.

Band	GSM850			GSM1900		
Channel	128	189	251	512	661	810
Frequency (MHz)	824.2	836.4	848.8	1850.2	1880.0	1909.8
EUT without Power Reduction						
Maximum Burst-Averaged Output Power						
GSM (GMSK, 1Tx-slot)	33.61	33.72	33.57	30.89	30.93	30.88
GPRS (GMSK, 1Tx-slot)	33.60	33.71	33.56	30.87	30.91	30.86
GPRS (GMSK, 2Tx-slot)	29.32	29.43	29.28	26.49	26.53	26.48
GPRS (GMSK, 3Tx-slot)	27.36	27.47	27.32	24.69	24.73	24.68
GPRS (GMSK, 4Tx-slot)	26.80	26.91	26.76	23.63	23.67	23.62
EDGE (8PSK, 1Tx-slot)	25.44	25.55	25.40	24.95	24.99	24.94
EDGE (8PSK, 2Tx-slot)	24.72	24.83	24.68	24.21	24.25	24.20
EDGE (8PSK, 3Tx-slot)	23.52	23.63	23.48	23.04	23.08	23.03
EDGE (8PSK, 4Tx-slot)	21.14	21.25	21.10	21.73	21.77	21.72
EUT with Power Reduction						
Maximum Burst-Averaged Output Power						
GSM (GMSK, 1Tx-slot)	31.12	31.27	31.42	28.20	28.28	28.48
GPRS (GMSK, 1Tx-slot)	31.10	31.25	31.40	28.18	28.25	28.46
GPRS (GMSK, 2Tx-slot)	27.08	27.23	27.38	24.65	24.68	24.77
GPRS (GMSK, 3Tx-slot)	25.46	25.61	25.76	22.55	22.74	22.76
GPRS (GMSK, 4Tx-slot)	24.60	24.75	24.90	21.03	21.05	21.12
EDGE (8PSK, 1Tx-slot)	25.38	25.53	25.68	24.94	25.02	25.22
EDGE (8PSK, 2Tx-slot)	21.98	22.13	22.28	24.45	24.53	24.73
EDGE (8PSK, 3Tx-slot)	21.48	21.63	21.78	22.39	22.47	22.67
EDGE (8PSK, 4Tx-slot)	20.14	20.29	20.44	20.97	21.05	21.25

FCC SAR Test Report

Band	WCDMA Band II			WCDMA Band IV			WCDMA Band V			3GPP MPR (dB)
Channel	9262	9400	9538	1312	1413	1513	4132	4182	4233	
Frequency (MHz)	1852.4	1880.0	1907.6	1712.4	1732.6	1752.6	826.4	836.4	846.6	
EUT without Power Reduction										
RMC 12.2K	24.89	24.98	24.93	24.81	24.97	24.93	24.95	24.99	24.93	-
HSDPA Subtest-1	23.30	23.39	23.34	23.29	23.45	23.41	23.67	23.69	23.65	0
HSDPA Subtest-2	23.36	23.45	23.40	23.27	23.43	23.39	23.65	23.67	23.63	0
HSDPA Subtest-3	22.84	22.93	22.88	22.76	22.92	22.88	23.17	23.19	23.15	0.5
HSDPA Subtest-4	22.86	22.95	22.90	22.81	22.97	22.93	23.14	23.16	23.12	0.5
DC-HSDPA Subtest-1	23.30	23.37	23.31	23.31	23.45	23.38	23.64	23.65	23.59	0
DC-HSDPA Subtest-2	23.36	23.41	23.38	23.28	23.42	23.36	23.58	23.62	23.59	0
DC-HSDPA Subtest-3	22.87	22.96	22.89	22.74	22.91	22.85	23.14	23.17	23.12	0.5
DC-HSDPA Subtest-4	22.81	22.93	22.87	22.83	22.95	22.91	23.13	23.15	23.10	0.5
HSUPA Subtest-1	23.42	23.51	23.46	23.29	23.45	23.41	23.69	23.71	23.67	0
HSUPA Subtest-2	21.46	21.55	21.50	21.32	21.48	21.44	21.64	21.66	21.62	2
HSUPA Subtest-3	22.47	22.56	22.51	22.27	22.43	22.39	22.76	22.78	22.74	1
HSUPA Subtest-4	21.46	21.55	21.50	21.35	21.51	21.47	21.61	21.63	21.59	2
HSUPA Subtest-5	23.40	23.49	23.44	23.27	23.43	23.39	23.67	23.69	23.65	0
Band	WCDMA Band II			WCDMA Band IV			WCDMA Band V			3GPP MPR (dB)
Channel	9262	9400	9538	1312	1413	1513	4132	4182	4233	
Frequency (MHz)	1852.4	1880.0	1907.6	1712.4	1732.6	1752.6	826.4	836.4	846.6	
EUT with Power Reduction										
RMC 12.2K	19.90	19.99	19.95	20.83	20.96	20.85	22.35	22.44	22.36	-
HSDPA Subtest-1	18.29	18.38	18.34	19.10	19.23	19.12	21.06	21.15	21.07	0
HSDPA Subtest-2	18.33	18.42	18.38	18.86	18.99	18.88	21.10	21.19	21.11	0
HSDPA Subtest-3	17.82	17.91	17.87	18.64	18.77	18.66	20.56	20.65	20.57	0.5
HSDPA Subtest-4	17.83	17.92	17.88	18.68	18.81	18.70	20.58	20.67	20.59	0.5
DC-HSDPA Subtest-1	18.26	18.39	18.33	19.08	19.22	19.13	21.04	21.13	21.08	0
DC-HSDPA Subtest-2	18.34	18.41	18.36	18.81	18.96	18.85	21.06	21.16	21.08	0
DC-HSDPA Subtest-3	17.81	17.87	17.86	18.64	18.74	18.65	20.54	20.68	20.59	0.5
DC-HSDPA Subtest-4	17.84	17.89	17.86	18.64	18.75	18.66	20.59	20.65	20.59	0.5
HSUPA Subtest-1	18.44	18.49	18.47	19.30	19.43	19.32	21.10	21.19	21.11	0
HSUPA Subtest-2	16.43	16.52	16.48	17.28	17.41	17.30	19.12	19.21	19.13	2
HSUPA Subtest-3	17.46	17.55	17.51	18.24	18.37	18.26	20.09	20.18	20.10	1
HSUPA Subtest-4	16.48	16.57	16.53	17.29	17.42	17.31	19.10	19.19	19.11	2
HSUPA Subtest-5	18.32	18.41	18.37	19.26	19.39	19.28	21.12	21.21	21.13	0

FCC SAR Test Report

LTE Band 2														
EUT without Power Reduction														
BW (MHz)	RB Size	RB Offset	QPSK				16QAM				64QAM			
			Low CH 18700	Mid CH 18900	High CH 19100	3GPP MPR (dB)	Low CH 18607	Mid CH 18900	High CH 19193	3GPP MPR (dB)	Low CH 18607	Mid CH 18900	High CH 19193	3GPP MPR (dB)
			1860.0 MHz	1880.0 MHz	1900.0 MHz		1850.7 MHz	1880.0 MHz	1909.3 MHz		1850.7 MHz	1880.0 MHz	1909.3 MHz	
20	1	0	23.91	23.98	23.95	0	22.89	22.96	22.93	1	21.88	21.95	21.92	2
	1	50	23.76	23.83	23.80	0	22.74	22.81	22.78	1	21.73	21.80	21.77	2
	1	99	23.74	23.81	23.78	0	22.72	22.79	22.76	1	21.71	21.78	21.75	2
	50	0	22.86	22.93	22.90	1	21.84	21.91	21.88	2	20.83	20.90	20.87	3
	50	25	22.84	22.91	22.88	1	21.82	21.89	21.86	2	20.81	20.88	20.85	3
	50	50	22.81	22.88	22.85	1	21.79	21.86	21.83	2	20.78	20.85	20.82	3
100	0	22.82	22.89	22.86	1	21.80	21.87	21.84	2	20.79	20.86	20.83	3	
EUT with Power Reduction														
BW (MHz)	RB Size	RB Offset	QPSK				16QAM				64QAM			
			Low CH 18700	Mid CH 18900	High CH 19100	3GPP MPR (dB)	Low CH 18607	Mid CH 18900	High CH 19193	3GPP MPR (dB)	Low CH 18607	Mid CH 18900	High CH 19193	3GPP MPR (dB)
			1860.0 MHz	1880.0 MHz	1900.0 MHz		1850.7 MHz	1880.0 MHz	1909.3 MHz		1850.7 MHz	1880.0 MHz	1909.3 MHz	
20	1	0	19.87	19.83	19.84	0	19.83	19.79	19.80	0	19.80	19.76	19.77	0
	1	50	19.65	19.61	19.62	0	19.61	19.57	19.58	0	19.58	19.54	19.55	0
	1	99	19.62	19.58	19.59	0	19.58	19.54	19.55	0	19.55	19.51	19.52	0
	50	0	19.82	19.78	19.79	0	19.78	19.74	19.75	0	19.75	19.71	19.72	0
	50	25	19.77	19.73	19.74	0	19.73	19.69	19.70	0	19.70	19.66	19.67	0
	50	50	19.72	19.68	19.69	0	19.68	19.64	19.65	0	19.65	19.61	19.62	0
100	0	19.76	19.72	19.73	0	19.72	19.68	19.69	0	19.69	19.65	19.66	0	
EUT without Power Reduction														
BW (MHz)	RB Size	RB Offset	QPSK				16QAM				64QAM			
			Low CH 18675	Mid CH 18900	High CH 19125	3GPP MPR (dB)	Low CH 18675	Mid CH 18900	High CH 19125	3GPP MPR (dB)	Low CH 18675	Mid CH 18900	High CH 19125	3GPP MPR (dB)
			1857.5 MHz	1880.0 MHz	1902.5 MHz		1857.5 MHz	1880.0 MHz	1902.5 MHz		1857.5 MHz	1880.0 MHz	1902.5 MHz	
15	1	0	23.86	23.93	23.90	0	22.84	22.91	22.88	1	21.85	21.92	21.89	2
	1	37	23.71	23.78	23.75	0	22.69	22.76	22.73	1	21.70	21.77	21.74	2
	1	74	23.69	23.76	23.73	0	22.67	22.74	22.71	1	21.68	21.75	21.72	2
	36	0	22.81	22.88	22.85	1	21.79	21.86	21.83	2	20.80	20.87	20.84	3
	36	19	22.79	22.86	22.83	1	21.77	21.84	21.81	2	20.78	20.85	20.82	3
	36	39	22.76	22.83	22.80	1	21.74	21.81	21.78	2	20.75	20.82	20.79	3
75	0	22.77	22.84	22.81	1	21.75	21.82	21.79	2	20.76	20.83	20.80	3	
EUT with Power Reduction														
BW (MHz)	RB Size	RB Offset	QPSK				16QAM				64QAM			
			Low CH 18675	Mid CH 18900	High CH 19125	3GPP MPR (dB)	Low CH 18675	Mid CH 18900	High CH 19125	3GPP MPR (dB)	Low CH 18675	Mid CH 18900	High CH 19125	3GPP MPR (dB)
			1857.5 MHz	1880.0 MHz	1902.5 MHz		1857.5 MHz	1880.0 MHz	1902.5 MHz		1857.5 MHz	1880.0 MHz	1902.5 MHz	
15	1	0	19.81	19.77	19.78	0	19.77	19.73	19.74	0	19.73	19.69	19.70	0
	1	37	19.59	19.55	19.56	0	19.55	19.51	19.52	0	19.51	19.47	19.48	0
	1	74	19.56	19.52	19.53	0	19.52	19.48	19.49	0	19.48	19.44	19.45	0
	36	0	19.76	19.72	19.73	0	19.72	19.68	19.69	0	19.68	19.64	19.65	0
	36	19	19.71	19.67	19.68	0	19.67	19.63	19.64	0	19.63	19.59	19.60	0
	36	39	19.66	19.62	19.63	0	19.62	19.58	19.59	0	19.58	19.54	19.55	0
75	0	19.70	19.66	19.67	0	19.66	19.62	19.63	0	19.62	19.58	19.59	0	

FCC SAR Test Report

EUT without Power Reduction														
BW (MHz)	RB Size	RB Offset	QPSK				16QAM				64QAM			
			Low CH 18650	Mid CH 18900	High CH 19150	3GPP MPR (dB)	Low CH 18650	Mid CH 18900	High CH 19150	3GPP MPR (dB)	Low CH 18650	Mid CH 18900	High CH 19150	3GPP MPR (dB)
			1855.0 MHz	1880.0 MHz	1905.0 MHz		1855.0 MHz	1880.0 MHz	1905.0 MHz		1855.0 MHz	1880.0 MHz	1905.0 MHz	
10	1	0	23.80	23.87	23.84	0	22.78	22.85	22.82	1	21.79	21.86	21.83	2
	1	24	23.65	23.72	23.69	0	22.63	22.70	22.67	1	21.64	21.71	21.68	2
	1	49	23.63	23.70	23.67	0	22.61	22.68	22.65	1	21.62	21.69	21.66	2
	25	0	22.75	22.82	22.79	1	21.73	21.80	21.77	2	20.74	20.81	20.78	3
	25	12	22.73	22.80	22.77	1	21.71	21.78	21.75	2	20.72	20.79	20.76	3
	25	25	22.70	22.77	22.74	1	21.68	21.75	21.72	2	20.69	20.76	20.73	3
50	0	22.71	22.78	22.75	1	21.69	21.76	21.73	2	20.70	20.77	20.74	3	
EUT with Power Reduction														
BW (MHz)	RB Size	RB Offset	QPSK				16QAM				64QAM			
			Low CH 18650	Mid CH 18900	High CH 19150	3GPP MPR (dB)	Low CH 18650	Mid CH 18900	High CH 19150	3GPP MPR (dB)	Low CH 18650	Mid CH 18900	High CH 19150	3GPP MPR (dB)
			1855.0 MHz	1880.0 MHz	1905.0 MHz		1855.0 MHz	1880.0 MHz	1905.0 MHz		1855.0 MHz	1880.0 MHz	1905.0 MHz	
10	1	0	19.73	19.69	19.70	0	19.68	19.64	19.65	0	19.63	19.59	19.60	0
	1	24	19.51	19.47	19.48	0	19.46	19.42	19.43	0	19.41	19.37	19.38	0
	1	49	19.48	19.44	19.45	0	19.43	19.39	19.40	0	19.38	19.34	19.35	0
	25	0	19.68	19.64	19.65	0	19.63	19.59	19.60	0	19.58	19.54	19.55	0
	25	12	19.63	19.59	19.60	0	19.58	19.54	19.55	0	19.53	19.49	19.50	0
	25	25	19.58	19.54	19.55	0	19.53	19.49	19.50	0	19.48	19.44	19.45	0
50	0	19.62	19.58	19.59	0	19.57	19.53	19.54	0	19.52	19.48	19.49	0	
EUT without Power Reduction														
BW (MHz)	RB Size	RB Offset	QPSK				16QAM				64QAM			
			Low CH 18625	Mid CH 18900	High CH 19175	3GPP MPR (dB)	Low CH 18625	Mid CH 18900	High CH 19175	3GPP MPR (dB)	Low CH 18625	Mid CH 18900	High CH 19175	3GPP MPR (dB)
			1852.5 MHz	1880.0 MHz	1907.5 MHz		1852.5 MHz	1880.0 MHz	1907.5 MHz		1852.5 MHz	1880.0 MHz	1907.5 MHz	
5	1	0	23.75	23.82	23.79	0	22.73	22.80	22.77	1	21.74	21.81	21.78	2
	1	12	23.60	23.67	23.64	0	22.58	22.65	22.62	1	21.59	21.66	21.63	2
	1	24	23.58	23.65	23.62	0	22.56	22.63	22.60	1	21.57	21.64	21.61	2
	12	0	22.70	22.77	22.74	1	21.68	21.75	21.72	2	20.69	20.76	20.73	3
	12	6	22.68	22.75	22.72	1	21.66	21.73	21.70	2	20.67	20.74	20.71	3
	12	13	22.65	22.72	22.69	1	21.63	21.70	21.67	2	20.64	20.71	20.68	3
25	0	22.66	22.73	22.70	1	21.64	21.71	21.68	2	20.65	20.72	20.69	3	
EUT with Power Reduction														
BW (MHz)	RB Size	RB Offset	QPSK				16QAM				64QAM			
			Low CH 18625	Mid CH 18900	High CH 19175	3GPP MPR (dB)	Low CH 18625	Mid CH 18900	High CH 19175	3GPP MPR (dB)	Low CH 18625	Mid CH 18900	High CH 19175	3GPP MPR (dB)
			1852.5 MHz	1880.0 MHz	1907.5 MHz		1852.5 MHz	1880.0 MHz	1907.5 MHz		1852.5 MHz	1880.0 MHz	1907.5 MHz	
5	1	0	19.68	19.64	19.65	0	19.62	19.58	19.59	0	19.56	19.52	19.53	0
	1	12	19.46	19.42	19.43	0	19.40	19.36	19.37	0	19.34	19.30	19.31	0
	1	24	19.43	19.39	19.40	0	19.37	19.33	19.34	0	19.31	19.27	19.28	0
	12	0	19.63	19.59	19.60	0	19.57	19.53	19.54	0	19.51	19.47	19.48	0
	12	6	19.58	19.54	19.55	0	19.52	19.48	19.49	0	19.46	19.42	19.43	0
	12	13	19.53	19.49	19.50	0	19.47	19.43	19.44	0	19.41	19.37	19.38	0
25	0	19.57	19.53	19.54	0	19.51	19.47	19.48	0	19.45	19.41	19.42	0	

FCC SAR Test Report

EUT without Power Reduction														
BW (MHz)	RB Size	RB Offset	QPSK				16QAM				64QAM			
			Low CH 18615 MHz	Mid CH 18900 MHz	High CH 19185 MHz	3GPP MPR (dB)	Low CH 18615 MHz	Mid CH 18900 MHz	High CH 19185 MHz	3GPP MPR (dB)	Low CH 18615 MHz	Mid CH 18900 MHz	High CH 19185 MHz	3GPP MPR (dB)
			1851.5 MHz	1880.0 MHz	1908.5 MHz		1851.5 MHz	1880.0 MHz	1908.5 MHz		1851.5 MHz	1880.0 MHz	1908.5 MHz	
3	1	0	23.69	23.76	23.73	0	22.67	22.74	22.71	1	21.68	21.75	21.72	2
	1	7	23.54	23.61	23.58	0	22.52	22.59	22.56	1	21.53	21.60	21.57	2
	1	14	23.52	23.59	23.56	0	22.50	22.57	22.54	1	21.51	21.58	21.55	2
	8	0	22.64	22.71	22.68	1	21.62	21.69	21.66	2	20.63	20.70	20.67	3
	8	3	22.62	22.69	22.66	1	21.60	21.67	21.64	2	20.61	20.68	20.65	3
	8	7	22.59	22.66	22.63	1	21.57	21.64	21.61	2	20.58	20.65	20.62	3
	15	0	22.60	22.67	22.64	1	21.58	21.65	21.62	2	20.59	20.66	20.63	3
EUT with Power Reduction														
BW (MHz)	RB Size	RB Offset	QPSK				16QAM				64QAM			
			Low CH 18615 MHz	Mid CH 18900 MHz	High CH 19185 MHz	3GPP MPR (dB)	Low CH 18615 MHz	Mid CH 18900 MHz	High CH 19185 MHz	3GPP MPR (dB)	Low CH 18615 MHz	Mid CH 18900 MHz	High CH 19185 MHz	3GPP MPR (dB)
			1851.5 MHz	1880.0 MHz	1908.5 MHz		1851.5 MHz	1880.0 MHz	1908.5 MHz		1851.5 MHz	1880.0 MHz	1908.5 MHz	
3	1	0	19.65	19.61	19.62	0	19.60	19.56	19.57	0	19.55	19.51	19.52	0
	1	7	19.43	19.39	19.40	0	19.38	19.34	19.35	0	19.33	19.29	19.30	0
	1	14	19.40	19.36	19.37	0	19.35	19.31	19.32	0	19.30	19.26	19.27	0
	8	0	19.60	19.56	19.57	0	19.55	19.51	19.52	0	19.50	19.46	19.47	0
	8	3	19.55	19.51	19.52	0	19.50	19.46	19.47	0	19.45	19.41	19.42	0
	8	7	19.50	19.46	19.47	0	19.45	19.41	19.42	0	19.40	19.36	19.37	0
	15	0	19.54	19.50	19.51	0	19.49	19.45	19.46	0	19.44	19.40	19.41	0
EUT without Power Reduction														
BW (MHz)	RB Size	RB Offset	QPSK				16QAM				64QAM			
			Low CH 18607 MHz	Mid CH 18900 MHz	High CH 19193 MHz	3GPP MPR (dB)	Low CH 18607 MHz	Mid CH 18900 MHz	High CH 19193 MHz	3GPP MPR (dB)	Low CH 18607 MHz	Mid CH 18900 MHz	High CH 19193 MHz	3GPP MPR (dB)
			1850.7 MHz	1880.0 MHz	1909.3 MHz		1850.7 MHz	1880.0 MHz	1909.3 MHz		1850.7 MHz	1880.0 MHz	1909.3 MHz	
1.4	1	0	23.66	23.73	23.70	0	22.64	22.71	22.68	1	21.65	21.72	21.69	2
	1	2	23.51	23.58	23.55	0	22.49	22.56	22.53	1	21.50	21.57	21.54	2
	1	5	23.49	23.56	23.53	0	22.47	22.54	22.51	1	21.48	21.55	21.52	2
	3	0	22.61	22.68	22.65	0	21.59	21.66	21.63	1	20.60	20.67	20.64	2
	3	1	22.59	22.66	22.63	0	21.57	21.64	21.61	1	20.58	20.65	20.62	2
	3	3	22.56	22.63	22.60	0	21.54	21.61	21.58	1	20.55	20.62	20.59	2
	6	0	22.57	22.64	22.61	1	21.55	21.62	21.59	2	20.56	20.63	20.60	3
EUT with Power Reduction														
BW (MHz)	RB Size	RB Offset	QPSK				16QAM				64QAM			
			Low CH 18607 MHz	Mid CH 18900 MHz	High CH 19193 MHz	3GPP MPR (dB)	Low CH 18607 MHz	Mid CH 18900 MHz	High CH 19193 MHz	3GPP MPR (dB)	Low CH 18607 MHz	Mid CH 18900 MHz	High CH 19193 MHz	3GPP MPR (dB)
			1850.7 MHz	1880.0 MHz	1909.3 MHz		1850.7 MHz	1880.0 MHz	1909.3 MHz		1850.7 MHz	1880.0 MHz	1909.3 MHz	
1.4	1	0	19.59	19.55	19.56	0	19.53	19.49	19.50	0	19.47	19.43	19.44	0
	1	2	19.37	19.33	19.34	0	19.31	19.27	19.28	0	19.25	19.21	19.22	0
	1	5	19.34	19.30	19.31	0	19.28	19.24	19.25	0	19.22	19.18	19.19	0
	3	0	19.54	19.50	19.51	0	19.48	19.44	19.45	0	19.42	19.38	19.39	0
	3	1	19.49	19.45	19.46	0	19.43	19.39	19.40	0	19.37	19.33	19.34	0
	3	3	19.44	19.40	19.41	0	19.38	19.34	19.35	0	19.32	19.28	19.29	0
	6	0	19.48	19.44	19.45	0	19.42	19.38	19.39	0	19.36	19.32	19.33	0

FCC SAR Test Report

LTE Band 4														
EUT without Power Reduction														
BW (MHz)	RB Size	RB Offset	QPSK				16QAM				64QAM			
			Low CH 20050	Mid CH 20175	High CH 20300	3GPP MPR (dB)	Low CH 20050	Mid CH 20175	High CH 20300	3GPP MPR (dB)	Low CH 20050	Mid CH 20175	High CH 20300	3GPP MPR (dB)
			1720.0 MHz	1732.5 MHz	1745.0 MHz		1720.0 MHz	1732.5 MHz	1745.0 MHz		1720.0 MHz	1732.5 MHz	1745.0 MHz	
20	1	0	23.95	23.97	23.93	0	22.90	22.92	22.88	1	21.94	21.96	21.92	2
	1	50	23.90	23.92	23.88	0	22.85	22.87	22.83	1	21.89	21.91	21.87	2
	1	99	23.80	23.82	23.78	0	22.75	22.77	22.73	1	21.79	21.81	21.77	2
	50	0	22.95	22.97	22.93	1	21.90	21.92	21.88	2	20.94	20.96	20.92	3
	50	25	22.91	22.93	22.89	1	21.86	21.88	21.84	2	20.90	20.92	20.88	3
	50	50	22.90	22.92	22.88	1	21.85	21.87	21.83	2	20.89	20.91	20.87	3
	100	0	22.93	22.95	22.91	1	21.88	21.90	21.86	2	20.92	20.94	20.90	3
EUT with Power Reduction														
BW (MHz)	RB Size	RB Offset	QPSK				16QAM				64QAM			
			Low CH 20050	Mid CH 20175	High CH 20300	3GPP MPR (dB)	Low CH 20050	Mid CH 20175	High CH 20300	3GPP MPR (dB)	Low CH 20050	Mid CH 20175	High CH 20300	3GPP MPR (dB)
			1720.0 MHz	1732.5 MHz	1745.0 MHz		1720.0 MHz	1732.5 MHz	1745.0 MHz		1720.0 MHz	1732.5 MHz	1745.0 MHz	
20	1	0	19.92	19.98	19.91	0	19.90	19.96	19.89	0	19.87	19.93	19.86	0
	1	50	19.70	19.76	19.69	0	19.68	19.74	19.67	0	19.65	19.71	19.64	0
	1	99	19.65	19.71	19.64	0	19.63	19.69	19.62	0	19.60	19.66	19.59	0
	50	0	19.86	19.92	19.85	0	19.84	19.90	19.83	0	19.81	19.87	19.80	0
	50	25	19.81	19.87	19.80	0	19.79	19.85	19.78	0	19.76	19.82	19.75	0
	50	50	19.77	19.83	19.76	0	19.75	19.81	19.74	0	19.72	19.78	19.71	0
	100	0	19.79	19.85	19.78	0	19.77	19.83	19.76	0	19.74	19.80	19.73	0
EUT without Power Reduction														
BW (MHz)	RB Size	RB Offset	QPSK				16QAM				64QAM			
			Low CH 20025	Mid CH 20175	High CH 20325	3GPP MPR (dB)	Low CH 20025	Mid CH 20175	High CH 20325	3GPP MPR (dB)	Low CH 20025	Mid CH 20175	High CH 20325	3GPP MPR (dB)
			1717.5 MHz	1732.5 MHz	1747.5 MHz		1717.5 MHz	1732.5 MHz	1747.5 MHz		1717.5 MHz	1732.5 MHz	1747.5 MHz	
15	1	0	23.89	23.91	23.87	0	22.84	22.86	22.82	1	21.88	21.90	21.86	2
	1	37	23.84	23.86	23.82	0	22.79	22.81	22.77	1	21.83	21.85	21.81	2
	1	74	23.74	23.76	23.72	0	22.69	22.71	22.67	1	21.73	21.75	21.71	2
	36	0	22.89	22.91	22.87	1	21.84	21.86	21.82	2	20.88	20.90	20.86	3
	36	19	22.85	22.87	22.83	1	21.80	21.82	21.78	2	20.84	20.86	20.82	3
	36	39	22.84	22.86	22.82	1	21.79	21.81	21.77	2	20.83	20.85	20.81	3
	75	0	22.87	22.89	22.85	1	21.82	21.84	21.80	2	20.86	20.88	20.84	3
EUT with Power Reduction														
BW (MHz)	RB Size	RB Offset	QPSK				16QAM				64QAM			
			Low CH 20025	Mid CH 20175	High CH 20325	3GPP MPR (dB)	Low CH 20025	Mid CH 20175	High CH 20325	3GPP MPR (dB)	Low CH 20025	Mid CH 20175	High CH 20325	3GPP MPR (dB)
			1717.5 MHz	1732.5 MHz	1747.5 MHz		1717.5 MHz	1732.5 MHz	1747.5 MHz		1717.5 MHz	1732.5 MHz	1747.5 MHz	
15	1	0	19.87	19.93	19.86	0	19.85	19.91	19.84	0	19.82	19.88	19.81	0
	1	37	19.65	19.71	19.64	0	19.63	19.69	19.62	0	19.60	19.66	19.59	0
	1	74	19.60	19.66	19.59	0	19.58	19.64	19.57	0	19.55	19.61	19.54	0
	36	0	19.81	19.87	19.80	0	19.79	19.85	19.78	0	19.76	19.82	19.75	0
	36	19	19.76	19.82	19.75	0	19.74	19.80	19.73	0	19.71	19.77	19.70	0
	36	39	19.72	19.78	19.71	0	19.70	19.76	19.69	0	19.67	19.73	19.66	0
	75	0	19.74	19.80	19.73	0	19.72	19.78	19.71	0	19.69	19.75	19.68	0

FCC SAR Test Report

EUT without Power Reduction														
BW (MHz)	RB Size	RB Offset	QPSK				16QAM				64QAM			
			Low CH 20000	Mid CH 20175	High CH 20350	3GPP MPR (dB)	Low CH 20000	Mid CH 20175	High CH 20350	3GPP MPR (dB)	Low CH 20000	Mid CH 20175	High CH 20350	3GPP MPR (dB)
			1715.0 MHz	1732.5 MHz	1750.0 MHz		1715.0 MHz	1732.5 MHz	1750.0 MHz		1715.0 MHz	1732.5 MHz	1750.0 MHz	
10	1	0	23.83	23.85	23.81	0	22.78	22.80	22.76	1	21.82	21.84	21.80	2
	1	24	23.78	23.80	23.76	0	22.73	22.75	22.71	1	21.77	21.79	21.75	2
	1	49	23.68	23.70	23.66	0	22.63	22.65	22.61	1	21.67	21.69	21.65	2
	25	0	22.83	22.85	22.81	1	21.78	21.80	21.76	2	20.82	20.84	20.80	3
	25	12	22.79	22.81	22.77	1	21.74	21.76	21.72	2	20.78	20.80	20.76	3
	25	25	22.78	22.80	22.76	1	21.73	21.75	21.71	2	20.77	20.79	20.75	3
50	0	22.81	22.83	22.79	1	21.76	21.78	21.74	2	20.80	20.82	20.78	3	

EUT with Power Reduction														
BW (MHz)	RB Size	RB Offset	QPSK				16QAM				64QAM			
			Low CH 20000	Mid CH 20175	High CH 20350	3GPP MPR (dB)	Low CH 20000	Mid CH 20175	High CH 20350	3GPP MPR (dB)	Low CH 20000	Mid CH 20175	High CH 20350	3GPP MPR (dB)
			1715.0 MHz	1732.5 MHz	1750.0 MHz		1715.0 MHz	1732.5 MHz	1750.0 MHz		1715.0 MHz	1732.5 MHz	1750.0 MHz	
10	1	0	19.81	19.87	19.80	0	19.79	19.85	19.78	0	19.76	19.82	19.75	0
	1	24	19.59	19.65	19.58	0	19.57	19.63	19.56	0	19.54	19.60	19.53	0
	1	49	19.54	19.60	19.53	0	19.52	19.58	19.51	0	19.49	19.55	19.48	0
	25	0	19.75	19.81	19.74	0	19.73	19.79	19.72	0	19.70	19.76	19.69	0
	25	12	19.70	19.76	19.69	0	19.68	19.74	19.67	0	19.65	19.71	19.64	0
	25	25	19.66	19.72	19.65	0	19.64	19.70	19.63	0	19.61	19.67	19.60	0
50	0	19.68	19.74	19.67	0	19.66	19.72	19.65	0	19.63	19.69	19.62	0	

EUT without Power Reduction														
BW (MHz)	RB Size	RB Offset	QPSK				16QAM				64QAM			
			Low CH 19975	Mid CH 20175	High CH 20375	3GPP MPR (dB)	Low CH 19975	Mid CH 20175	High CH 20375	3GPP MPR (dB)	Low CH 19975	Mid CH 20175	High CH 20375	3GPP MPR (dB)
			1712.5 MHz	1732.5 MHz	1752.5 MHz		1712.5 MHz	1732.5 MHz	1752.5 MHz		1712.5 MHz	1732.5 MHz	1752.5 MHz	
5	1	0	23.76	23.78	23.74	0	22.71	22.73	22.69	1	21.75	21.77	21.73	2
	1	12	23.71	23.73	23.69	0	22.66	22.68	22.64	1	21.70	21.72	21.68	2
	1	24	23.61	23.63	23.59	0	22.56	22.58	22.54	1	21.60	21.62	21.58	2
	12	0	22.76	22.78	22.74	1	21.71	21.73	21.69	2	20.75	20.77	20.73	3
	12	6	22.72	22.74	22.70	1	21.67	21.69	21.65	2	20.71	20.73	20.69	3
	12	13	22.71	22.73	22.69	1	21.66	21.68	21.64	2	20.70	20.72	20.68	3
25	0	22.74	22.76	22.72	1	21.69	21.71	21.67	2	20.73	20.75	20.71	3	

EUT with Power Reduction														
BW (MHz)	RB Size	RB Offset	QPSK				16QAM				64QAM			
			Low CH 19975	Mid CH 20175	High CH 20375	3GPP MPR (dB)	Low CH 19975	Mid CH 20175	High CH 20375	3GPP MPR (dB)	Low CH 19975	Mid CH 20175	High CH 20375	3GPP MPR (dB)
			1712.5 MHz	1732.5 MHz	1752.5 MHz		1712.5 MHz	1732.5 MHz	1752.5 MHz		1712.5 MHz	1732.5 MHz	1752.5 MHz	
5	1	0	19.76	19.82	19.75	0	19.74	19.80	19.73	0	19.71	19.77	19.70	0
	1	12	19.54	19.60	19.53	0	19.52	19.58	19.51	0	19.49	19.55	19.48	0
	1	24	19.49	19.55	19.48	0	19.47	19.53	19.46	0	19.44	19.50	19.43	0
	12	0	19.70	19.76	19.69	0	19.68	19.74	19.67	0	19.65	19.71	19.64	0
	12	6	19.65	19.71	19.64	0	19.63	19.69	19.62	0	19.60	19.66	19.59	0
	12	13	19.61	19.67	19.60	0	19.59	19.65	19.58	0	19.56	19.62	19.55	0
25	0	19.63	19.69	19.62	0	19.61	19.67	19.60	0	19.58	19.64	19.57	0	



FCC SAR Test Report

EUT without Power Reduction														
BW (MHz)	RB Size	RB Offset	QPSK				16QAM				64QAM			
			Low CH 19965	Mid CH 20175	High CH 20385	3GPP MPR (dB)	Low CH 19965	Mid CH 20175	High CH 20385	3GPP MPR (dB)	Low CH 19965	Mid CH 20175	High CH 20385	3GPP MPR (dB)
			1711.5 MHz	1732.5 MHz	1753.5 MHz		1711.5 MHz	1732.5 MHz	1753.5 MHz		1711.5 MHz	1732.5 MHz	1753.5 MHz	
3	1	0	23.69	23.71	23.67	0	22.64	22.66	22.62	1	21.68	21.70	21.66	2
	1	7	23.64	23.66	23.62	0	22.59	22.61	22.57	1	21.63	21.65	21.61	2
	1	14	23.54	23.56	23.52	0	22.49	22.51	22.47	1	21.53	21.55	21.51	2
	8	0	22.69	22.71	22.67	1	21.64	21.66	21.62	2	20.68	20.70	20.66	3
	8	3	22.65	22.67	22.63	1	21.60	21.62	21.58	2	20.64	20.66	20.62	3
	8	7	22.64	22.66	22.62	1	21.59	21.61	21.57	2	20.63	20.65	20.61	3
	15	0	22.67	22.69	22.65	1	21.62	21.64	21.60	2	20.66	20.68	20.64	3
EUT with Power Reduction														
BW (MHz)	RB Size	RB Offset	QPSK				16QAM				64QAM			
			Low CH 19965	Mid CH 20175	High CH 20385	3GPP MPR (dB)	Low CH 19965	Mid CH 20175	High CH 20385	3GPP MPR (dB)	Low CH 19965	Mid CH 20175	High CH 20385	3GPP MPR (dB)
			1711.5 MHz	1732.5 MHz	1753.5 MHz		1711.5 MHz	1732.5 MHz	1753.5 MHz		1711.5 MHz	1732.5 MHz	1753.5 MHz	
3	1	0	19.69	19.75	19.68	0	19.67	19.73	19.66	0	19.64	19.70	19.63	0
	1	7	19.47	19.53	19.46	0	19.45	19.51	19.44	0	19.42	19.48	19.41	0
	1	14	19.42	19.48	19.41	0	19.40	19.46	19.39	0	19.37	19.43	19.36	0
	8	0	19.63	19.69	19.62	0	19.61	19.67	19.60	0	19.58	19.64	19.57	0
	8	3	19.58	19.64	19.57	0	19.56	19.62	19.55	0	19.53	19.59	19.52	0
	8	7	19.54	19.60	19.53	0	19.52	19.58	19.51	0	19.49	19.55	19.48	0
	15	0	19.56	19.62	19.55	0	19.54	19.60	19.53	0	19.51	19.57	19.50	0
EUT without Power Reduction														
BW (MHz)	RB Size	RB Offset	QPSK				16QAM				64QAM			
			Low CH 19957	Mid CH 20175	High CH 20393	3GPP MPR (dB)	Low CH 19957	Mid CH 20175	High CH 20393	3GPP MPR (dB)	Low CH 19957	Mid CH 20175	High CH 20393	3GPP MPR (dB)
			1710.7 MHz	1732.5 MHz	1754.3 MHz		1710.7 MHz	1732.5 MHz	1754.3 MHz		1710.7 MHz	1732.5 MHz	1754.3 MHz	
1.4	1	0	23.61	23.63	23.59	0	22.56	22.58	22.54	1	21.60	21.62	21.58	2
	1	2	23.56	23.58	23.54	0	22.51	22.53	22.49	1	21.55	21.57	21.53	2
	1	5	23.46	23.48	23.44	0	22.41	22.43	22.39	1	21.45	21.47	21.43	2
	3	0	22.61	22.63	22.59	0	21.56	21.58	21.54	1	20.60	20.62	20.58	2
	3	1	22.57	22.59	22.55	0	21.52	21.54	21.50	1	20.56	20.58	20.54	2
	3	3	22.56	22.58	22.54	0	21.51	21.53	21.49	1	20.55	20.57	20.53	2
	6	0	22.59	22.61	22.57	1	21.54	21.56	21.52	2	20.58	20.60	20.56	3
EUT with Power Reduction														
BW (MHz)	RB Size	RB Offset	QPSK				16QAM				64QAM			
			Low CH 19957	Mid CH 20175	High CH 20393	3GPP MPR (dB)	Low CH 19957	Mid CH 20175	High CH 20393	3GPP MPR (dB)	Low CH 19957	Mid CH 20175	High CH 20393	3GPP MPR (dB)
			1710.7 MHz	1732.5 MHz	1754.3 MHz		1710.7 MHz	1732.5 MHz	1754.3 MHz		1710.7 MHz	1732.5 MHz	1754.3 MHz	
1.4	1	0	19.62	19.68	19.61	0	19.60	19.66	19.59	0	19.57	19.63	19.56	0
	1	2	19.40	19.46	19.39	0	19.38	19.44	19.37	0	19.35	19.41	19.34	0
	1	5	19.35	19.41	19.34	0	19.33	19.39	19.32	0	19.30	19.36	19.29	0
	3	0	19.56	19.62	19.55	0	19.54	19.60	19.53	0	19.51	19.57	19.50	0
	3	1	19.51	19.57	19.50	0	19.49	19.55	19.48	0	19.46	19.52	19.45	0
	3	3	19.47	19.53	19.46	0	19.45	19.51	19.44	0	19.42	19.48	19.41	0
	6	0	19.49	19.55	19.48	0	19.47	19.53	19.46	0	19.44	19.50	19.43	0

FCC SAR Test Report

LTE Band 5														
EUT without Power Reduction														
BW (MHz)	RB Size	RB Offset	QPSK				16QAM				64QAM			
			Low CH 20450	Mid CH 20525	High CH 20600	3GPP MPR (dB)	Low CH 20450	Mid CH 20525	High CH 20600	3GPP MPR (dB)	Low CH 20450	Mid CH 20525	High CH 20600	3GPP MPR (dB)
			829.0 MHz	836.5 MHz	844.0 MHz		829.0 MHz	836.5 MHz	844.0 MHz		829.0 MHz	836.5 MHz	844.0 MHz	
10	1	0	23.78	23.85	23.93	0	22.75	22.82	22.90	1	21.77	21.84	21.92	2
	1	24	23.76	23.83	23.91	0	22.73	22.80	22.88	1	21.75	21.82	21.90	2
	1	49	23.74	23.81	23.89	0	22.71	22.78	22.86	1	21.73	21.80	21.88	2
	25	0	22.84	22.91	22.99	1	21.81	21.88	21.96	2	20.83	20.90	20.98	3
	25	12	22.82	22.89	22.97	1	21.79	21.86	21.94	2	20.81	20.88	20.96	3
	25	25	22.78	22.85	22.93	1	21.75	21.82	21.90	2	20.77	20.84	20.92	3
50	0	22.83	22.90	22.98	1	21.80	21.87	21.95	2	20.82	20.89	20.97	3	
EUT with Power Reduction														
BW (MHz)	RB Size	RB Offset	QPSK				16QAM				64QAM			
			Low CH 20450	Mid CH 20525	High CH 20600	3GPP MPR (dB)	Low CH 20450	Mid CH 20525	High CH 20600	3GPP MPR (dB)	Low CH 20450	Mid CH 20525	High CH 20600	3GPP MPR (dB)
			829.0 MHz	836.5 MHz	844.0 MHz		829.0 MHz	836.5 MHz	844.0 MHz		829.0 MHz	836.5 MHz	844.0 MHz	
10	1	0	21.33	21.45	21.48	0	21.27	21.39	21.42	0	21.20	21.32	21.35	0
	1	24	21.30	21.42	21.45	0	21.24	21.36	21.39	0	21.17	21.29	21.32	0
	1	49	21.29	21.41	21.44	0	21.23	21.35	21.38	0	21.16	21.28	21.31	0
	25	0	21.27	21.39	21.42	0	21.21	21.33	21.36	0	21.14	21.26	21.29	0
	25	12	21.24	21.36	21.39	0	21.18	21.30	21.33	0	21.11	21.23	21.26	0
	25	25	21.21	21.33	21.36	0	21.15	21.27	21.30	0	21.08	21.20	21.23	0
50	0	21.26	21.38	21.41	0	21.20	21.32	21.35	0	21.13	21.25	21.28	0	
EUT without Power Reduction														
BW (MHz)	RB Size	RB Offset	QPSK				16QAM				64QAM			
			Low CH 20425	Mid CH 20525	High CH 20625	3GPP MPR (dB)	Low CH 20425	Mid CH 20525	High CH 20625	3GPP MPR (dB)	Low CH 20425	Mid CH 20525	High CH 20625	3GPP MPR (dB)
			826.5 MHz	836.5 MHz	846.5 MHz		826.5 MHz	836.5 MHz	846.5 MHz		826.5 MHz	836.5 MHz	846.5 MHz	
5	1	0	23.73	23.80	23.88	0	22.70	22.77	22.85	1	21.72	21.79	21.87	2
	1	12	23.71	23.78	23.86	0	22.68	22.75	22.83	1	21.70	21.77	21.85	2
	1	24	23.69	23.76	23.84	0	22.66	22.73	22.81	1	21.68	21.75	21.83	2
	12	0	22.79	22.86	22.94	1	21.76	21.83	21.91	2	20.78	20.85	20.93	3
	12	6	22.77	22.84	22.92	1	21.74	21.81	21.89	2	20.76	20.83	20.91	3
	12	13	22.73	22.80	22.88	1	21.70	21.77	21.85	2	20.72	20.79	20.87	3
25	0	22.78	22.85	22.93	1	21.75	21.82	21.90	2	20.77	20.84	20.92	3	
EUT with Power Reduction														
BW (MHz)	RB Size	RB Offset	QPSK				16QAM				64QAM			
			Low CH 20425	Mid CH 20525	High CH 20625	3GPP MPR (dB)	Low CH 20425	Mid CH 20525	High CH 20625	3GPP MPR (dB)	Low CH 20425	Mid CH 20525	High CH 20625	3GPP MPR (dB)
			826.5 MHz	836.5 MHz	846.5 MHz		826.5 MHz	836.5 MHz	846.5 MHz		826.5 MHz	836.5 MHz	846.5 MHz	
5	1	0	21.26	21.38	21.41	0	21.20	21.32	21.35	0	21.13	21.25	21.28	0
	1	12	21.23	21.35	21.38	0	21.17	21.29	21.32	0	21.10	21.22	21.25	0
	1	24	21.22	21.34	21.37	0	21.16	21.28	21.31	0	21.09	21.21	21.24	0
	12	0	21.20	21.32	21.35	0	21.14	21.26	21.29	0	21.07	21.19	21.22	0
	12	6	21.17	21.29	21.32	0	21.11	21.23	21.26	0	21.04	21.16	21.19	0
	12	13	21.14	21.26	21.29	0	21.08	21.20	21.23	0	21.01	21.13	21.16	0
25	0	21.19	21.31	21.34	0	21.13	21.25	21.28	0	21.06	21.18	21.21	0	

FCC SAR Test Report

EUT without Power Reduction														
BW (MHz)	RB Size	RB Offset	QPSK				16QAM				64QAM			
			Low CH 20415	Mid CH 20525	High CH 20635	3GPP MPR (dB)	Low CH 20415	Mid CH 20525	High CH 20635	3GPP MPR (dB)	Low CH 20415	Mid CH 20525	High CH 20635	3GPP MPR (dB)
			825.5 MHz	836.5 MHz	847.5 MHz		825.5 MHz	836.5 MHz	847.5 MHz		825.5 MHz	836.5 MHz	847.5 MHz	
3	1	0	23.66	23.73	23.81	0	22.63	22.70	22.78	1	21.65	21.72	21.80	2
	1	7	23.64	23.71	23.79	0	22.61	22.68	22.76	1	21.63	21.70	21.78	2
	1	14	23.62	23.69	23.77	0	22.59	22.66	22.74	1	21.61	21.68	21.76	2
	8	0	22.72	22.79	22.87	1	21.69	21.76	21.84	2	20.71	20.78	20.86	3
	8	3	22.70	22.77	22.85	1	21.67	21.74	21.82	2	20.69	20.76	20.84	3
	8	7	22.66	22.73	22.81	1	21.63	21.70	21.78	2	20.65	20.72	20.80	3
	15	0	22.71	22.78	22.86	1	21.68	21.75	21.83	2	20.70	20.77	20.85	3
EUT with Power Reduction														
BW (MHz)	RB Size	RB Offset	QPSK				16QAM				64QAM			
			Low CH 20415	Mid CH 20525	High CH 20635	3GPP MPR (dB)	Low CH 20415	Mid CH 20525	High CH 20635	3GPP MPR (dB)	Low CH 20415	Mid CH 20525	High CH 20635	3GPP MPR (dB)
			825.5 MHz	836.5 MHz	847.5 MHz		825.5 MHz	836.5 MHz	847.5 MHz		825.5 MHz	836.5 MHz	847.5 MHz	
3	1	0	21.21	21.33	21.36	0	21.15	21.27	21.30	0	21.08	21.20	21.23	0
	1	7	21.18	21.30	21.33	0	21.12	21.24	21.27	0	21.05	21.17	21.20	0
	1	14	21.17	21.29	21.32	0	21.11	21.23	21.26	0	21.04	21.16	21.19	0
	8	0	21.15	21.27	21.30	0	21.09	21.21	21.24	0	21.02	21.14	21.17	0
	8	3	21.12	21.24	21.27	0	21.06	21.18	21.21	0	20.99	21.11	21.14	0
	8	7	21.09	21.21	21.24	0	21.03	21.15	21.18	0	20.96	21.08	21.11	0
	15	0	21.14	21.26	21.29	0	21.08	21.20	21.23	0	21.01	21.13	21.16	0
EUT without Power Reduction														
BW (MHz)	RB Size	RB Offset	QPSK				16QAM				64QAM			
			Low CH 20407	Mid CH 20525	High CH 20643	3GPP MPR (dB)	Low CH 20407	Mid CH 20525	High CH 20643	3GPP MPR (dB)	Low CH 20407	Mid CH 20525	High CH 20643	3GPP MPR (dB)
			824.7 MHz	836.5 MHz	848.3 MHz		824.7 MHz	836.5 MHz	848.3 MHz		824.7 MHz	836.5 MHz	848.3 MHz	
1.4	1	0	23.61	23.68	23.76	0	23.61	23.68	23.76	1	21.60	21.67	21.75	2
	1	2	23.59	23.66	23.74	0	23.59	23.66	23.74	1	21.58	21.65	21.73	2
	1	5	23.57	23.64	23.72	0	23.57	23.64	23.72	1	21.56	21.63	21.71	2
	3	0	22.67	22.74	22.82	0	22.67	22.74	22.82	1	20.66	20.73	20.81	2
	3	1	22.65	22.72	22.80	0	22.65	22.72	22.80	1	20.64	20.71	20.79	2
	3	3	22.61	22.68	22.76	0	22.61	22.68	22.76	1	20.60	20.67	20.75	2
	6	0	22.66	22.73	22.81	1	22.66	22.73	22.81	2	20.65	20.72	20.80	3
EUT with Power Reduction														
BW (MHz)	RB Size	RB Offset	QPSK				16QAM				64QAM			
			Low CH 20407	Mid CH 20525	High CH 20643	3GPP MPR (dB)	Low CH 20407	Mid CH 20525	High CH 20643	3GPP MPR (dB)	Low CH 20407	Mid CH 20525	High CH 20643	3GPP MPR (dB)
			824.7 MHz	836.5 MHz	848.3 MHz		824.7 MHz	836.5 MHz	848.3 MHz		824.7 MHz	836.5 MHz	848.3 MHz	
1.4	1	0	21.16	21.28	21.31	0	21.10	21.22	21.25	0	21.03	21.15	21.18	0
	1	2	21.13	21.25	21.28	0	21.07	21.19	21.22	0	21.00	21.12	21.15	0
	1	5	21.12	21.24	21.27	0	21.06	21.18	21.21	0	20.99	21.11	21.14	0
	3	0	21.10	21.22	21.25	0	21.04	21.16	21.19	0	20.97	21.09	21.12	0
	3	1	21.07	21.19	21.22	0	21.01	21.13	21.16	0	20.94	21.06	21.09	0
	3	3	21.04	21.16	21.19	0	20.98	21.10	21.13	0	20.91	21.03	21.06	0
	6	0	21.09	21.21	21.24	0	21.03	21.15	21.18	0	20.96	21.08	21.11	0

FCC SAR Test Report

LTE Band 7														
BW (MHz)	RB Size	RB Offset	QPSK				16QAM				64QAM			
			Low CH 20850	Mid CH 21100	High CH 21350	3GPP MPR (dB)	Low CH 20850	Mid CH 21100	High CH 21350	3GPP MPR (dB)	Low CH 20850	Mid CH 21100	High CH 21350	3GPP MPR (dB)
			2510.0 MHz	2535.0 MHz	2560.0 MHz		2510.0 MHz	2535.0 MHz	2560.0 MHz		2510.0 MHz	2535.0 MHz	2560.0 MHz	
20	1	0	24.91	24.99	24.86	0	23.88	23.96	23.83	1	22.90	22.98	22.85	2
	1	50	24.85	24.93	24.80	0	23.82	23.90	23.77	1	22.84	22.92	22.79	2
	1	99	24.89	24.97	24.84	0	23.86	23.94	23.81	1	22.88	22.96	22.83	2
	50	0	23.89	23.97	23.84	1	22.86	22.94	22.81	2	21.88	21.96	21.83	3
	50	25	23.83	23.91	23.78	1	22.80	22.88	22.75	2	21.82	21.90	21.77	3
	50	50	23.87	23.95	23.82	1	22.84	22.92	22.79	2	21.86	21.94	21.81	3
100	0	23.88	23.96	23.83	1	22.85	22.93	22.80	2	21.87	21.95	21.82	3	
BW (MHz)	RB Size	RB Offset	QPSK				16QAM				64QAM			
			Low CH 20825	Mid CH 21100	High CH 21375	3GPP MPR (dB)	Low CH 20825	Mid CH 21100	High CH 21375	3GPP MPR (dB)	Low CH 20825	Mid CH 21100	High CH 21375	3GPP MPR (dB)
			2507.5 MHz	2535.0 MHz	2562.5 MHz		2507.5 MHz	2535.0 MHz	2562.5 MHz		2507.5 MHz	2535.0 MHz	2562.5 MHz	
15	1	0	24.84	24.92	24.79	0	23.81	23.89	23.76	1	22.83	22.91	22.78	2
	1	37	24.78	24.86	24.73	0	23.75	23.83	23.70	1	22.77	22.85	22.72	2
	1	74	24.82	24.90	24.77	0	23.79	23.87	23.74	1	22.81	22.89	22.76	2
	36	0	23.82	23.90	23.77	1	22.79	22.87	22.74	2	21.81	21.89	21.76	3
	36	19	23.76	23.84	23.71	1	22.73	22.81	22.68	2	21.75	21.83	21.70	3
	36	39	23.80	23.88	23.75	1	22.77	22.85	22.72	2	21.79	21.87	21.74	3
75	0	23.81	23.89	23.76	1	22.78	22.86	22.73	2	21.80	21.88	21.75	3	
BW (MHz)	RB Size	RB Offset	QPSK				16QAM				64QAM			
			Low CH 20800	Mid CH 21100	High CH 21400	3GPP MPR (dB)	Low CH 20800	Mid CH 21100	High CH 21400	3GPP MPR (dB)	Low CH 20800	Mid CH 21100	High CH 21400	3GPP MPR (dB)
			2505.0 MHz	2535.0 MHz	2565.0 MHz		2505.0 MHz	2535.0 MHz	2565.0 MHz		2505.0 MHz	2535.0 MHz	2565.0 MHz	
10	1	0	24.79	24.87	24.74	0	23.76	23.84	23.71	1	22.78	22.86	22.73	2
	1	24	24.73	24.81	24.68	0	23.70	23.78	23.65	1	22.72	22.80	22.67	2
	1	49	24.77	24.85	24.72	0	23.74	23.82	23.69	1	22.76	22.84	22.71	2
	25	0	23.77	23.85	23.72	1	22.74	22.82	22.69	2	21.76	21.84	21.71	3
	25	12	23.71	23.79	23.66	1	22.68	22.76	22.63	2	21.70	21.78	21.65	3
	25	25	23.75	23.83	23.70	1	22.72	22.80	22.67	2	21.74	21.82	21.69	3
50	0	23.76	23.84	23.71	1	22.73	22.81	22.68	2	21.75	21.83	21.70	3	
BW (MHz)	RB Size	RB Offset	QPSK				16QAM				64QAM			
			Low CH 20775	Mid CH 21100	High CH 21425	3GPP MPR (dB)	Low CH 20775	Mid CH 21100	High CH 21425	3GPP MPR (dB)	Low CH 20775	Mid CH 21100	High CH 21425	3GPP MPR (dB)
			2502.5 MHz	2535.0 MHz	2567.5 MHz		2502.5 MHz	2535.0 MHz	2567.5 MHz		2502.5 MHz	2535.0 MHz	2567.5 MHz	
5	1	0	24.71	24.79	24.66	0	23.68	23.76	23.63	1	22.70	22.78	22.65	2
	1	12	24.65	24.73	24.60	0	23.62	23.70	23.57	1	22.64	22.72	22.59	2
	1	24	24.69	24.77	24.64	0	23.66	23.74	23.61	1	22.68	22.76	22.63	2
	12	0	23.69	23.77	23.64	1	22.66	22.74	22.61	2	21.68	21.76	21.63	3
	12	6	23.63	23.71	23.58	1	22.60	22.68	22.55	2	21.62	21.70	21.57	3
	12	13	23.67	23.75	23.62	1	22.64	22.72	22.59	2	21.66	21.74	21.61	3
25	0	23.68	23.76	23.63	1	22.65	22.73	22.60	2	21.67	21.75	21.62	3	

FCC SAR Test Report

LTE Band 12														
EUT without Power Reduction														
BW (MHz)	RB Size	RB Offset	QPSK				16QAM				64QAM			
			Low CH 23060	Mid CH 23095	High CH 23130	3GPP MPR (dB)	Low CH 23060	Mid CH 23095	High CH 23130	3GPP MPR (dB)	Low CH 23060	Mid CH 23095	High CH 23130	3GPP MPR (dB)
			704.0 MHz	707.5 MHz	711.0 MHz		704.0 MHz	707.5 MHz	711.0 MHz		704.0 MHz	707.5 MHz	711.0 MHz	
10	1	0	23.93	23.97	23.98	0	22.90	22.94	22.95	1	21.92	21.96	21.97	2
	1	24	23.91	23.95	23.96	0	22.88	22.92	22.93	1	21.90	21.94	21.95	2
	1	49	23.92	23.96	23.97	0	22.89	22.93	22.94	1	21.91	21.95	21.96	2
	25	0	22.94	22.98	22.99	1	21.91	21.95	21.96	2	20.93	20.97	20.98	3
	25	12	22.93	22.97	22.98	1	21.90	21.94	21.95	2	20.92	20.96	20.97	3
	25	25	22.89	22.93	22.94	1	21.86	21.90	21.91	2	20.88	20.92	20.93	3
	50	0	22.94	22.98	22.99	1	21.91	21.95	21.96	2	20.93	20.97	20.98	3
EUT with Power Reduction														
BW (MHz)	RB Size	RB Offset	QPSK				16QAM				64QAM			
			Low CH 23060	Mid CH 23095	High CH 23130	3GPP MPR (dB)	Low CH 23060	Mid CH 23095	High CH 23130	3GPP MPR (dB)	Low CH 23060	Mid CH 23095	High CH 23130	3GPP MPR (dB)
			704.0 MHz	707.5 MHz	711.0 MHz		704.0 MHz	707.5 MHz	711.0 MHz		704.0 MHz	707.5 MHz	711.0 MHz	
10	1	0	21.47	21.45	21.49	0	21.42	21.40	21.44	0	21.36	21.34	21.38	0
	1	24	21.45	21.43	21.47	0	21.40	21.38	21.42	0	21.34	21.32	21.36	0
	1	49	21.43	21.41	21.45	0	21.38	21.36	21.40	0	21.32	21.30	21.34	0
	25	0	21.45	21.43	21.47	0	21.40	21.38	21.42	0	21.34	21.32	21.36	0
	25	12	21.44	21.42	21.46	0	21.39	21.37	21.41	0	21.33	21.31	21.35	0
	25	25	21.41	21.39	21.43	0	21.36	21.34	21.38	0	21.30	21.28	21.32	0
	50	0	21.43	21.41	21.45	0	21.38	21.36	21.40	0	21.32	21.30	21.34	0
EUT without Power Reduction														
BW (MHz)	RB Size	RB Offset	QPSK				16QAM				64QAM			
			Low CH 23035	Mid CH 23095	High CH 23155	3GPP MPR (dB)	Low CH 23035	Mid CH 23095	High CH 23155	3GPP MPR (dB)	Low CH 23035	Mid CH 23095	High CH 23155	3GPP MPR (dB)
			701.5 MHz	707.5 MHz	713.5 MHz		701.5 MHz	707.5 MHz	713.5 MHz		701.5 MHz	707.5 MHz	713.5 MHz	
5	1	0	23.85	23.89	23.90	0	22.82	22.86	22.87	1	21.84	21.88	21.89	2
	1	12	23.83	23.87	23.88	0	22.80	22.84	22.85	1	21.82	21.86	21.87	2
	1	24	23.84	23.88	23.89	0	22.81	22.85	22.86	1	21.83	21.87	21.88	2
	12	0	22.86	22.90	22.91	1	21.83	21.87	21.88	2	20.85	20.89	20.90	3
	12	6	22.85	22.89	22.90	1	21.82	21.86	21.87	2	20.84	20.88	20.89	3
	12	13	22.81	22.85	22.86	1	21.78	21.82	21.83	2	20.80	20.84	20.85	3
	25	0	22.86	22.90	22.91	1	21.83	21.87	21.88	2	20.85	20.89	20.90	3
EUT with Power Reduction														
BW (MHz)	RB Size	RB Offset	QPSK				16QAM				64QAM			
			Low CH 23035	Mid CH 23095	High CH 23155	3GPP MPR (dB)	Low CH 23035	Mid CH 23095	High CH 23155	3GPP MPR (dB)	Low CH 23035	Mid CH 23095	High CH 23155	3GPP MPR (dB)
			701.5 MHz	707.5 MHz	713.5 MHz		701.5 MHz	707.5 MHz	713.5 MHz		701.5 MHz	707.5 MHz	713.5 MHz	
5	1	0	21.40	21.38	21.42	0	21.35	21.33	21.37	0	21.29	21.27	21.31	0
	1	12	21.38	21.36	21.40	0	21.33	21.31	21.35	0	21.27	21.25	21.29	0
	1	24	21.36	21.34	21.38	0	21.31	21.29	21.33	0	21.25	21.23	21.27	0
	12	0	21.38	21.36	21.40	0	21.33	21.31	21.35	0	21.27	21.25	21.29	0
	12	6	21.37	21.35	21.39	0	21.32	21.30	21.34	0	21.26	21.24	21.28	0
	12	13	21.34	21.32	21.36	0	21.29	21.27	21.31	0	21.23	21.21	21.25	0
	25	0	21.36	21.34	21.38	0	21.31	21.29	21.33	0	21.25	21.23	21.27	0

FCC SAR Test Report

EUT without Power Reduction														
BW (MHz)	RB Size	RB Offset	QPSK				16QAM				64QAM			
			Low CH 23025	Mid CH 23095	High CH 23165	3GPP MPR (dB)	Low CH 23025	Mid CH 23095	High CH 23165	3GPP MPR (dB)	Low CH 23025	Mid CH 23095	High CH 23165	3GPP MPR (dB)
			700.5 MHz	707.5 MHz	714.5 MHz		700.5 MHz	707.5 MHz	714.5 MHz		700.5 MHz	707.5 MHz	714.5 MHz	
3	1	0	23.80	23.84	23.85	0	22.77	22.81	22.82	1	21.79	21.83	21.84	2
	1	7	23.78	23.82	23.83	0	22.75	22.79	22.80	1	21.77	21.81	21.82	2
	1	14	23.79	23.83	23.84	0	22.76	22.80	22.81	1	21.78	21.82	21.83	2
	8	0	22.81	22.85	22.86	1	21.78	21.82	21.83	2	20.80	20.84	20.85	3
	8	3	22.80	22.84	22.85	1	21.77	21.81	21.82	2	20.79	20.83	20.84	3
	8	7	22.76	22.80	22.81	1	21.73	21.77	21.78	2	20.75	20.79	20.80	3
	15	0	22.81	22.85	22.86	1	21.78	21.82	21.83	2	20.80	20.84	20.85	3
EUT with Power Reduction														
BW (MHz)	RB Size	RB Offset	QPSK				16QAM				64QAM			
			Low CH 23025	Mid CH 23095	High CH 23165	3GPP MPR (dB)	Low CH 23025	Mid CH 23095	High CH 23165	3GPP MPR (dB)	Low CH 23025	Mid CH 23095	High CH 23165	3GPP MPR (dB)
			700.5 MHz	707.5 MHz	714.5 MHz		700.5 MHz	707.5 MHz	714.5 MHz		700.5 MHz	707.5 MHz	714.5 MHz	
3	1	0	21.33	21.31	21.35	0	21.28	21.26	21.30	0	21.22	21.20	21.24	0
	1	7	21.31	21.29	21.33	0	21.26	21.24	21.28	0	21.20	21.18	21.22	0
	1	14	21.29	21.27	21.31	0	21.24	21.22	21.26	0	21.18	21.16	21.20	0
	8	0	21.31	21.29	21.33	0	21.26	21.24	21.28	0	21.20	21.18	21.22	0
	8	3	21.30	21.28	21.32	0	21.25	21.23	21.27	0	21.19	21.17	21.21	0
	8	7	21.27	21.25	21.29	0	21.22	21.20	21.24	0	21.16	21.14	21.18	0
	15	0	21.29	21.27	21.31	0	21.24	21.22	21.26	0	21.18	21.16	21.20	0
EUT without Power Reduction														
BW (MHz)	RB Size	RB Offset	QPSK				16QAM				64QAM			
			Low CH 23017	Mid CH 23095	High CH 23173	3GPP MPR (dB)	Low CH 23017	Mid CH 23095	High CH 23173	3GPP MPR (dB)	Low CH 23017	Mid CH 23095	High CH 23173	3GPP MPR (dB)
			699.7 MHz	707.5 MHz	715.3 MHz		699.7 MHz	707.5 MHz	715.3 MHz		699.7 MHz	707.5 MHz	715.3 MHz	
1.4	1	0	23.74	23.78	23.79	0	22.71	22.75	22.76	1	21.73	21.77	21.78	2
	1	2	23.72	23.76	23.77	0	22.69	22.73	22.74	1	21.71	21.75	21.76	2
	1	5	23.73	23.77	23.78	0	22.70	22.74	22.75	1	21.72	21.76	21.77	2
	3	0	22.75	22.79	22.80	0	21.72	21.76	21.77	1	20.74	20.78	20.79	2
	3	1	22.74	22.78	22.79	0	21.71	21.75	21.76	1	20.73	20.77	20.78	2
	3	3	22.70	22.74	22.75	0	21.67	21.71	21.72	1	20.69	20.73	20.74	2
	6	0	22.75	22.79	22.80	1	21.72	21.76	21.77	2	20.74	20.78	20.79	3
EUT with Power Reduction														
BW (MHz)	RB Size	RB Offset	QPSK				16QAM				64QAM			
			Low CH 23017	Mid CH 23095	High CH 23173	3GPP MPR (dB)	Low CH 23017	Mid CH 23095	High CH 23173	3GPP MPR (dB)	Low CH 23017	Mid CH 23095	High CH 23173	3GPP MPR (dB)
			699.7 MHz	707.5 MHz	715.3 MHz		699.7 MHz	707.5 MHz	715.3 MHz		699.7 MHz	707.5 MHz	715.3 MHz	
1.4	1	0	21.26	21.24	21.28	0	21.21	21.19	21.23	0	21.15	21.13	21.17	0
	1	2	21.24	21.22	21.26	0	21.19	21.17	21.21	0	21.13	21.11	21.15	0
	1	5	21.22	21.20	21.24	0	21.17	21.15	21.19	0	21.11	21.09	21.13	0
	3	0	21.24	21.22	21.26	0	21.19	21.17	21.21	0	21.13	21.11	21.15	0
	3	1	21.23	21.21	21.25	0	21.18	21.16	21.20	0	21.12	21.10	21.14	0
	3	3	21.20	21.18	21.22	0	21.15	21.13	21.17	0	21.09	21.07	21.11	0
	6	0	21.22	21.20	21.24	0	21.17	21.15	21.19	0	21.11	21.09	21.13	0

FCC SAR Test Report

<WLAN 2.4G>

Mode	802.11b		
Channel / Frequency (MHz)	1 (2412)	6 (2437)	11 (2462)
Average Power	16.83	16.77	16.92
Mode	802.11g		
Channel / Frequency (MHz)	1 (2412)	6 (2437)	11 (2462)
Average Power	14.83	14.92	14.96
Mode	802.11n (HT20)		
Channel / Frequency (MHz)	1 (2412)	6 (2437)	11 (2462)
Average Power	12.63	12.68	12.73
Mode	802.11n (HT40)		
Channel / Frequency (MHz)	3 (2422)	6 (2437)	9 (2452)
Average Power	12.71	12.85	12.89

<WLAN 5.2G>

Mode	802.11a			
Channel / Frequency (MHz)	36 (5180)	40 (5200)	44 (5220)	48 (5240)
Average Power	9.74	9.58	9.85	9.70
Mode	802.11n (HT20)			
Channel / Frequency (MHz)	36 (5180)	40 (5200)	44 (5220)	48 (5240)
Average Power	9.60	9.44	9.57	9.49
Mode	802.11n (HT40)			
Channel / Frequency (MHz)	38 (5190)		46 (5230)	
Average Power	9.70		9.63	
Mode	802.11ac (VHT80)			
Channel / Frequency (MHz)	42 (5210)			
Average Power	9.68			

<WLAN 5.3G>

Mode	802.11a			
Channel / Frequency (MHz)	52 (5260)	56 (5280)	60 (5300)	64 (5320)
Average Power	9.68	9.52	9.61	9.72
Mode	802.11n (HT20)			
Channel / Frequency (MHz)	52 (5260)	56 (5280)	60 (5300)	64 (5320)
Average Power	9.53	9.51	9.68	9.65
Mode	802.11n (HT40)			
Channel / Frequency (MHz)	54 (5270)		62 (5310)	
Average Power	9.57		9.62	
Mode	802.11ac (VHT80)			
Channel / Frequency (MHz)	58 (5290)			
Average Power	9.76			

FCC SAR Test Report

<WLAN 5.6G>

Mode	802.11a					
Channel / Frequency (MHz)	100 (5500)	116 (5580)	120 (5600)	124 (5620)	132 (5660)	140 (5700)
Average Power	9.86	9.77	9.59	9.61	9.64	9.81
Mode	802.11n (HT20)					
Channel / Frequency (MHz)	100 (5500)	116 (5580)	120 (5600)	124 (5620)	132 (5660)	140 (5700)
Average Power	9.75	9.64	9.55	9.58	9.60	9.71
Mode	802.11n (HT40)					
Channel / Frequency (MHz)	102 (5510)	110 (5550)	118 (5590)	126 (5630)	134 (5670)	
Average Power	9.87	9.78	9.67	9.59	9.82	
Mode	802.11ac (VHT80)					
Channel / Frequency (MHz)	106 (5530)			122 (5610)		
Average Power	9.87			9.82		

<WLAN 5.8G>

Mode	802.11a				
Channel / Frequency (MHz)	149 (5745)	153 (5765)	157 (5785)	161 (5805)	165 (5825)
Average Power	9.58	9.66	9.51	9.69	9.78
Mode	802.11n (HT20)				
Channel / Frequency (MHz)	149 (5745)	153 (5765)	157 (5785)	161 (5805)	165 (5825)
Average Power	9.47	9.56	9.46	9.67	9.50
Mode	802.11n (HT40)				
Channel / Frequency (MHz)	151 (5755)			159 (5795)	
Average Power	9.53			9.69	
Mode	802.11ac (VHT80)				
Channel / Frequency (MHz)	155 (5775)				
Average Power	9.59				

<Bluetooth>

Mode	Bluetooth		
Channel / Frequency (MHz)	0 (2402)	39 (2441)	78 (2480)
Average Power	9.29	8.69	8.67

Mode	Bluetooth LE		
Channel / Frequency (MHz)	0 (2402)	19 (2440)	39 (2480)
Average Power	-1.33	-1.79	-0.75

4.7 SAR Testing Results

4.7.1 SAR Test Reduction Considerations

<KDB 447498 D01, General RF Exposure Guidance>

Testing of other required channels within the operating mode of a frequency band is not required when the reported SAR for the mid-band or highest output power channel is:

- (1) ≤ 0.8 W/kg or 2.0 W/kg, for 1-g or 10-g respectively, when the transmission band is ≤ 100 MHz
- (2) ≤ 0.6 W/kg or 1.5 W/kg, for 1-g or 10-g respectively, when the transmission band is between 100 MHz and 200 MHz
- (3) ≤ 0.4 W/kg or 1.0 W/kg, for 1-g or 10-g respectively, when the transmission band is ≥ 200 MHz

<KDB 941225 D01, 3G SAR Measurement Procedures>

The mode tested for SAR is referred to as the primary mode. The equivalent modes considered for SAR test reduction are denoted as secondary modes. Both primary and secondary modes must be in the same frequency band. When the maximum output power and tune-up tolerance specified for production units in a secondary mode is $\leq 1/4$ dB higher than the primary mode or when the highest reported SAR of the primary mode is scaled by the ratio of specified maximum output power and tune-up tolerance of secondary to primary mode and the adjusted SAR is ≤ 1.2 W/kg, SAR measurement is not required for the secondary mode.

<KDB 941225 D05, SAR Evaluation Considerations for LTE Devices>

- (1) QPSK with 1 RB and 50% RB allocation

Start with the largest channel bandwidth and measure SAR, using the RB offset and required test channel combination with the highest maximum output power among RB offsets at the upper edge, middle and lower edge of each required test channel. When the reported SAR is ≤ 0.8 W/kg, testing of the remaining RB offset configurations and required test channels is not required; otherwise, SAR is required for the remaining required test channels and only for the RB offset configuration with the highest output power for that channel. When the reported SAR of a required test channel is > 1.45 W/kg, SAR is required for all three RB offset configurations for that required test channel.

- (2) QPSK with 100% RB allocation

SAR is not required when the highest maximum output power for 100% RB allocation is less than the highest maximum output power in 50% and 1 RB allocations and the highest reported SAR for 1 RB and 50% RB allocation are ≤ 0.8 W/kg. Otherwise, SAR is measured for the highest output power channel; and if the reported SAR is > 1.45 W/kg, the remaining required test channels must also be tested.

- (3) Higher order modulations

SAR is required only when the highest maximum output power for the configuration in the higher order modulation is $> 1/2$ dB higher than the same configuration in QPSK or when the reported SAR for the QPSK configuration is > 1.45 W/kg.

- (4) Other channel bandwidth

SAR is required when the highest maximum output power of the smaller channel bandwidth is $> 1/2$ dB higher than the equivalent channel configurations in the largest channel bandwidth configuration or the reported SAR of a configuration for the largest channel bandwidth is > 1.45 W/kg.

<KDB 248227 D01, SAR Guidance for Wi-Fi Transmitters>

- (1) For handsets operating next to ear, hotspot mode or mini-tablet configurations, the initial test position procedures were applied. The test position with the highest extrapolated peak SAR will be used as the initial test position. When the reported SAR of initial test position is ≤ 0.4 W/kg, SAR testing for remaining test positions is not required. Otherwise, SAR is evaluated at the subsequent highest peak SAR positions until the reported SAR result is ≤ 0.8 W/kg or all test positions are measured.
- (2) For WLAN 2.4 GHz, the highest measured maximum output power channel for DSSS was selected for SAR measurement. When the reported SAR is ≤ 0.8 W/kg, no further SAR testing is required. Otherwise, SAR is evaluated at the next highest measured output power channel. When any reported SAR is > 1.2 W/kg, SAR is required for the third channel. For OFDM modes (802.11g/n), SAR is not required when the highest reported SAR for DSSS is adjusted by the ratio of OFDM to DSSS specified maximum output power and it is ≤ 1.2 W/kg.
- (3) For WLAN 5 GHz, the initial test configuration was selected according to the transmission mode with the highest maximum output power. When the reported SAR of initial test configuration is > 0.8 W/kg, SAR is required for the subsequent highest measured output power channel until the reported SAR result is ≤ 1.2 W/kg or all required channels are measured. For other transmission modes, SAR is not required when the highest reported SAR for initial test configuration is adjusted by the ratio of subsequent test configuration to initial test configuration specified maximum output power and it is ≤ 1.2 W/kg.

FCC SAR Test Report

Plot No.	Band	Mode	RB#	RB Offset	Test Position	Ch.	Ant Status	Reduction Power	Max. Tune-up Power (dBm)	Measured Conducted Power (dBm)	Scaling Factor	Power Drift (dB)	Measured SAR-1g (W/kg)	Scaled SAR-1g (W/kg)
09	LTE 7	QPSK20M	1	0	Right Cheek	21100	Ant 0	w/o	25.0	24.99	1.00	-0.17	0.193	0.19
	LTE 7	QPSK20M	1	0	Right Tilted	21100	Ant 0	w/o	25.0	24.99	1.00	0.11	0.058	0.06
	LTE 7	QPSK20M	1	0	Left Cheek	21100	Ant 0	w/o	25.0	24.99	1.00	-0.02	0.102	0.10
	LTE 7	QPSK20M	1	0	Left Tilted	21100	Ant 0	w/o	25.0	24.99	1.00	-0.17	0.082	0.08
	LTE 7	QPSK20M	50	0	Right Cheek	21100	Ant 0	w/o	24.0	23.97	1.01	0.12	0.166	0.17
	LTE 7	QPSK20M	50	0	Right Tilted	21100	Ant 0	w/o	24.0	23.97	1.01	0.13	0.046	0.05
	LTE 7	QPSK20M	50	0	Left Cheek	21100	Ant 0	w/o	24.0	23.97	1.01	0.04	0.082	0.08
	LTE 7	QPSK20M	50	0	Left Tilted	21100	Ant 0	w/o	24.0	23.97	1.01	-0.07	0.071	0.07
Cell Transmission with WLAN OFF														
10	LTE 12	QPSK10M	1	0	Right Cheek	23130	Ant 0	w/o	24.0	23.98	1.00	0.10	0.093	0.09
	LTE 12	QPSK10M	1	0	Right Tilted	23130	Ant 0	w/o	24.0	23.98	1.00	0.00	0.072	0.07
	LTE 12	QPSK10M	1	0	Left Cheek	23130	Ant 0	w/o	24.0	23.98	1.00	-0.07	0.105	0.11
	LTE 12	QPSK10M	1	0	Left Tilted	23130	Ant 0	w/o	24.0	23.98	1.00	0.10	0.091	0.09
	LTE 12	QPSK10M	25	0	Right Cheek	23130	Ant 0	w/o	23.0	22.99	1.00	0.08	0.079	0.08
	LTE 12	QPSK10M	25	0	Right Tilted	23130	Ant 0	w/o	23.0	22.99	1.00	0.08	0.062	0.06
	LTE 12	QPSK10M	25	0	Left Cheek	23130	Ant 0	w/o	23.0	22.99	1.00	-0.09	0.092	0.09
	LTE 12	QPSK10M	25	0	Left Tilted	23130	Ant 0	w/o	23.0	22.99	1.00	0.01	0.075	0.08
	LTE 12	QPSK10M	1	0	Right Cheek	23130	Ant 1	w/o	24.0	23.98	1.00	0.00	0.363	0.36
	LTE 12	QPSK10M	1	0	Right Tilted	23130	Ant 1	w/o	24.0	23.98	1.00	0.00	0.344	0.35
	LTE 12	QPSK10M	1	0	Left Cheek	23130	Ant 1	w/o	24.0	23.98	1.00	-0.05	0.508	0.51
	LTE 12	QPSK10M	1	0	Left Tilted	23130	Ant 1	w/o	24.0	23.98	1.00	-0.04	0.636	0.64
	LTE 12	QPSK10M	25	0	Right Cheek	23130	Ant 1	w/o	23.0	22.99	1.00	0.11	0.305	0.31
	LTE 12	QPSK10M	25	0	Right Tilted	23130	Ant 1	w/o	23.0	22.99	1.00	-0.08	0.304	0.30
LTE 12	QPSK10M	25	0	Left Cheek	23130	Ant 1	w/o	23.0	22.99	1.00	-0.04	0.423	0.42	
LTE 12	QPSK10M	25	0	Left Tilted	23130	Ant 1	w/o	23.0	22.99	1.00	-0.15	0.544	0.55	
Cell Transmission with WLAN ON														
10	LTE 12	QPSK10M	1	0	Right Cheek	23130	Ant 1	w/	21.5	21.49	1.00	0.03	0.431	0.43
	LTE 12	QPSK10M	1	0	Right Tilted	23130	Ant 1	w/	21.5	21.49	1.00	0.17	0.296	0.30
	LTE 12	QPSK10M	1	0	Left Cheek	23130	Ant 1	w/	21.5	21.49	1.00	-0.02	0.576	0.58
	LTE 12	QPSK10M	1	0	Left Tilted	23130	Ant 1	w/	21.5	21.49	1.00	0.11	0.427	0.43
	LTE 12	QPSK10M	25	0	Right Cheek	23130	Ant 1	w/	21.5	21.47	1.01	0.04	0.287	0.29
	LTE 12	QPSK10M	25	0	Right Tilted	23130	Ant 1	w/	21.5	21.47	1.01	0.07	0.332	0.33
	LTE 12	QPSK10M	25	0	Left Cheek	23130	Ant 1	w/	21.5	21.47	1.01	-0.10	0.543	0.55
	LTE 12	QPSK10M	25	0	Left Tilted	23130	Ant 1	w/	21.5	21.47	1.01	-0.13	0.467	0.47

FCC SAR Test Report

Plot No.	Band	Mode	RB#	RB Offset	Test Position	Ch.	Ant Status	Reduction Power	Max. Tune-up Power (dBm)	Measured Conducted Power (dBm)	Scaling Factor	Power Drift (dB)	Measured SAR-1g (W/kg)	Scaled SAR-1g (W/kg)
25	LTE 12	QPSK10M	1	0	Front Face	23130	Ant 0	w/o	24.0	23.98	1.00	-0.02	0.245	0.25
	LTE 12	QPSK10M	1	0	Rear Face	23130	Ant 0	w/o	24.0	23.98	1.00	0.01	0.233	0.23
	LTE 12	QPSK10M	25	0	Front Face	23130	Ant 0	w/o	23.0	22.99	1.00	0.01	0.201	0.20
	LTE 12	QPSK10M	25	0	Rear Face	23130	Ant 0	w/o	23.0	22.99	1.00	0.06	0.191	0.19
	LTE 12	QPSK10M	1	0	Front Face	23130	Ant 1	w/o	24.0	23.98	1.00	-0.09	0.094	0.09
	LTE 12	QPSK10M	1	0	Rear Face	23130	Ant 1	w/o	24.0	23.98	1.00	-0.15	0.085	0.09
	LTE 12	QPSK10M	25	0	Front Face	23130	Ant 1	w/o	23.0	22.99	1.00	-0.02	0.078	0.08
	LTE 12	QPSK10M	25	0	Rear Face	23130	Ant 1	w/o	23.0	22.99	1.00	0.03	0.071	0.07
26	LTE 17	QPSK10M	1	0	Front Face	23780	Ant 0	w/o	24.0	23.99	1.00	0.02	0.240	0.24
	LTE 17	QPSK10M	1	0	Rear Face	23780	Ant 0	w/o	24.0	23.99	1.00	0.04	0.225	0.23
	LTE 17	QPSK10M	25	0	Front Face	23780	Ant 0	w/o	23.0	22.98	1.00	0.03	0.202	0.20
	LTE 17	QPSK10M	25	0	Rear Face	23780	Ant 0	w/o	23.0	22.98	1.00	-0.06	0.19	0.19
	LTE 17	QPSK10M	1	0	Front Face	23780	Ant 1	w/o	24.0	23.99	1.00	-0.07	0.086	0.09
	LTE 17	QPSK10M	1	0	Rear Face	23780	Ant 1	w/o	24.0	23.99	1.00	-0.08	0.081	0.08
	LTE 17	QPSK10M	25	0	Front Face	23780	Ant 1	w/o	23.0	22.98	1.00	0.14	0.077	0.08
	LTE 17	QPSK10M	25	0	Rear Face	23780	Ant 1	w/o	23.0	22.98	1.00	0.08	0.069	0.07

Plot No.	Band	Mode	Test Position	Ch.	Max. Tune-up Power (dBm)	Measured Conducted Power (dBm)	Scaling Factor	Power Drift (dB)	Measured SAR-1g (W/kg)	Scaled SAR-1g (W/kg)
27	WLAN2.4G	802.11b	Front Face	11	17.0	16.92	1.02	0.09	0.025	0.03
	WLAN2.4G	802.11b	Rear Face	11	17.0	16.92	1.02	-0.02	0.018	0.02
28	WLAN5G	802.11ac VH80	Front Face	58	10.0	9.76	1.06	-0.03	0.025	0.03
	WLAN5G	802.11ac VH80	Rear Face	58	10.0	9.76	1.06	0.09	0.001	0.00
29	WLAN5G	802.11ac VH80	Front Face	106	10.0	9.87	1.03	0.19	0.028	0.03
	WLAN5G	802.11ac VH80	Rear Face	106	10.0	9.87	1.03	0.03	0.001	0.00
30	WLAN5G	802.11ac VH80	Front Face	155	10.0	9.59	1.10	-0.14	0.023	0.03
	WLAN5G	802.11ac VH80	Rear Face	155	10.0	9.59	1.10	0.06	0.001	0.00
31	BT	BR	Front Face	0	10.0	9.29	1.18	0.09	0.000201	0.00
	BT	BR	Rear Face	0	10.0	9.29	1.18	0.03	0.0000	0.00

Note: The "< 0.001" means there is no SAR value or the SAR is too low to be measured.

FCC SAR Test Report

4.7.4 SAR Results for Hotspot Exposure Condition (Test Separation Distance is 10 mm)

Plot No.	Band	Mode	Test Position	Ch.	Ant Status	Reduction Power	Max. Tune-up Power (dBm)	Measured Conducted Power (dBm)	Scaling Factor	Power Drift (dB)	Measured SAR-1g (W/kg)	Scaled SAR-1g (W/kg)
	GSM850	GPRS8	Front Face	189	Ant 0	w/o	34.0	33.71	1.07	0.01	0.171	0.18
	GSM850	GPRS8	Rear Face	189	Ant 0	w/o	34.0	33.71	1.07	-0.15	0.161	0.17
	GSM850	GPRS8	Left Side	189	Ant 0	w/o	34.0	33.71	1.07	-0.13	0.036	0.04
	GSM850	GPRS8	Right Side	189	Ant 0	w/o	34.0	33.71	1.07	-0.11	0.001	0.00
	GSM850	GPRS8	Bottom Side	189	Ant 0	w/o	34.0	33.71	1.07	0.08	0.199	0.21
32	GSM850	GPRS8	Front Face	189	Ant 1	w/o	34.0	33.71	1.07	-0.03	0.211	0.23
	GSM850	GPRS8	Rear Face	189	Ant 1	w/o	34.0	33.71	1.07	0.08	0.143	0.15
	GSM850	GPRS8	Left Side	189	Ant 1	w/o	34.0	33.71	1.07	-0.05	0.091	0.10
	GSM850	GPRS8	Right Side	189	Ant 1	w/o	34.0	33.71	1.07	0.11	0.105	0.11
	GSM850	GPRS8	Top Side	189	Ant 1	w/o	34.0	33.71	1.07	-0.17	0.157	0.17
	GSM1900	GPRS8	Front Face	810	Ant 0	w/	28.5	28.46	1.01	0.08	0.583	0.59
	GSM1900	GPRS8	Rear Face	810	Ant 0	w/	28.5	28.46	1.01	-0.01	0.342	0.35
	GSM1900	GPRS8	Left Side	810	Ant 0	w/	28.5	28.46	1.01	-0.05	0.001	0.00
	GSM1900	GPRS8	Right Side	810	Ant 0	w/	28.5	28.46	1.01	0.06	0.083	0.08
33	GSM1900	GPRS8	Bottom Side	810	Ant 0	w/	28.5	28.46	1.01	-0.02	1.17	1.18
	GSM1900	GPRS8	Bottom Side	512	Ant 0	w/	28.5	28.18	1.08	0.13	1.060	1.14
	GSM1900	GPRS8	Bottom Side	661	Ant 0	w/	28.5	28.25	1.06	0.07	0.883	0.94
	GSM1900	GPRS8	Bottom Side	810	Ant 0	w/	28.5	28.46	1.01	-0.02	1.15	1.16
	WCDMA II	RMC12.2K	Front Face	9400	Ant 0	w/	20.0	19.99	1.00	0.15	0.576	0.58
	WCDMA II	RMC12.2K	Rear Face	9400	Ant 0	w/	20.0	19.99	1.00	-0.11	0.327	0.33
	WCDMA II	RMC12.2K	Left Side	9400	Ant 0	w/	20.0	19.99	1.00	0.15	0.029	0.03
	WCDMA II	RMC12.2K	Right Side	9400	Ant 0	w/	20.0	19.99	1.00	0.07	0.033	0.03
	WCDMA II	RMC12.2K	Bottom Side	9400	Ant 0	w/	20.0	19.99	1.00	0.05	0.949	0.95
	WCDMA II	RMC12.2K	Bottom Side	9262	Ant 0	w/	20.0	19.90	1.02	-0.13	1.060	1.08
34	WCDMA II	RMC12.2K	Bottom Side	9538	Ant 0	w/	20.0	19.95	1.01	-0.03	1.18	1.19
	WCDMA II	RMC12.2K	Bottom Side	9538	Ant 0	w/	20.0	19.95	1.01	-0.03	1.15	1.16
	WCDMA IV	RMC12.2K	Front Face	1413	Ant 0	w/	21.0	20.96	1.01	0.08	0.726	0.73
	WCDMA IV	RMC12.2K	Rear Face	1413	Ant 0	w/	21.0	20.96	1.01	-0.11	0.418	0.42
	WCDMA IV	RMC12.2K	Left Side	1413	Ant 0	w/	21.0	20.96	1.01	-0.15	0.001	0.00
	WCDMA IV	RMC12.2K	Right Side	1413	Ant 0	w/	21.0	20.96	1.01	0.05	0.037	0.04
	WCDMA IV	RMC12.2K	Bottom Side	1413	Ant 0	w/	21.0	20.96	1.01	0.11	1.08	1.09
35	WCDMA IV	RMC12.2K	Bottom Side	1312	Ant 0	w/	21.0	20.83	1.04	-0.15	1.11	1.15
	WCDMA IV	RMC12.2K	Bottom Side	1513	Ant 0	w/	21.0	20.85	1.04	0.18	1.08	1.12
	WCDMA IV	RMC12.2K	Bottom Side	1312	Ant 0	w/	21.0	20.83	1.04	-0.15	1.09	1.13
	WCDMA V	RMC12.2K	Front Face	4182	Ant 0	w/o	25.0	24.99	1.00	0.09	0.236	0.24
	WCDMA V	RMC12.2K	Rear Face	4182	Ant 0	w/o	25.0	24.99	1.00	-0.08	0.117	0.12
	WCDMA V	RMC12.2K	Left Side	4182	Ant 0	w/o	25.0	24.99	1.00	-0.12	0.112	0.11
	WCDMA V	RMC12.2K	Right Side	4182	Ant 0	w/o	25.0	24.99	1.00	0.07	0.082	0.08
36	WCDMA V	RMC12.2K	Bottom Side	4182	Ant 0	w/o	25.0	24.99	1.00	0.13	0.261	0.26
	WCDMA V	RMC12.2K	Front Face	4182	Ant 1	w/o	25.0	24.99	1.00	0.03	0.12	0.12
	WCDMA V	RMC12.2K	Rear Face	4182	Ant 1	w/o	25.0	24.99	1.00	-0.02	0.117	0.12
	WCDMA V	RMC12.2K	Left Side	4182	Ant 1	w/o	25.0	24.99	1.00	0.14	0.087	0.09
	WCDMA V	RMC12.2K	Right Side	4182	Ant 1	w/o	25.0	24.99	1.00	0.16	0.104	0.10
	WCDMA V	RMC12.2K	Top Side	4182	Ant 1	w/o	25.0	24.99	1.00	0.16	0.087	0.09

Note: The "< 0.001" means there is no SAR value or the SAR is too low to be measured.

FCC SAR Test Report

Plot No.	Band	Mode	Test Position	Ch.	Max. Tune-up Power (dBm)	Measured Conducted Power (dBm)	Scaling Factor	Power Drift (dB)	Measured SAR-1g (W/kg)	Scaled SAR-1g (W/kg)
43	WLAN2.4G	802.11b	Front Face	11	17.0	16.92	1.02	0.08	0.068	0.07
	WLAN2.4G	802.11b	Rear Face	11	17.0	16.92	1.02	0.02	0.034	0.03
	WLAN2.4G	802.11b	Left Side	11	17.0	16.92	1.02	-0.06	0	0.00
	WLAN2.4G	802.11b	Top Side	11	17.0	16.92	1.02	-0.11	0.053	0.05
44	WLAN5G	802.11ac VH80	Front Face	42	10.0	9.68	1.08	-0.04	0.052	0.06
	WLAN5G	802.11ac VH80	Rear Face	42	10.0	9.68	1.08	0.03	0.001	0.00
	WLAN5G	802.11ac VH80	Left Side	42	10.0	9.68	1.08	-0.04	0.025	0.03
	WLAN5G	802.11ac VH80	Top Side	42	10.0	9.68	1.08	-0.08	0.008	0.01
45	WLAN5G	802.11ac VH80	Front Face	155	10.0	9.59	1.10	0.11	0.036	0.04
	WLAN5G	802.11ac VH80	Rear Face	155	10.0	9.59	1.10	0.08	0.001	0.00
	WLAN5G	802.11ac VH80	Left Side	155	10.0	9.59	1.10	-0.13	0.002	0.00
	WLAN5G	802.11ac VH80	Top Side	155	10.0	9.59	1.10	-0.04	0.001	0.00

Note: The "< 0.001" means there is no SAR value or the SAR is too low to be measured.

4.7.5 SAR Results for Product Specific (Phablet) Exposure Condition (Test Separation Distance is 0 mm)

Plot No.	Band	Mode	Test Position	Ch.	Max. Tune-up Power (dBm)	Measured Conducted Power (dBm)	Scaling Factor	Power Drift (dB)	Measured SAR-10g (W/kg)	Scaled SAR-10g (W/kg)
46	WLAN5G	802.11ac VH80	Front Face	58	10.0	9.76	1.06	-0.18	0.292	0.31
	WLAN5G	802.11ac VH80	Rear Face	58	10.0	9.76	1.06	-0.05	0.040	0.04
	WLAN5G	802.11ac VH80	Left Side	58	10.0	9.76	1.06	0.03	0.056	0.06
	WLAN5G	802.11ac VH80	Top Side	58	10.0	9.76	1.06	-0.16	0.075	0.08
47	WLAN5G	802.11ac VH80	Front Face	106	10.0	9.87	1.03	-0.18	0.291	0.30
	WLAN5G	802.11ac VH80	Rear Face	106	10.0	9.87	1.03	-0.11	0.047	0.05
	WLAN5G	802.11ac VH80	Left Side	106	10.0	9.87	1.03	0.09	0.060	0.06
	WLAN5G	802.11ac VH80	Top Side	106	10.0	9.87	1.03	0.02	0.116	0.12
48	BT	BR	Front Face	0	10.0	9.29	1.18	0.03	0.0000617	0.00
	BT	BR	Rear Face	0	10.0	9.29	1.18	0.06	0.001	0.00
	BT	BR	Left Side	0	10.0	9.29	1.18	-0.13	0.001	0.00
	BT	BR	Top Side	0	10.0	9.29	1.18	-0.04	0.001	0.00

Note: The "< 0.001" means there is no SAR value or the SAR is too low to be measured.

4.7.6 SAR Measurement Variability

According to KDB 865664 D01, SAR measurement variability was assessed for each frequency band, which is determined by the SAR probe calibration point and tissue-equivalent medium used for the device measurements. When both head and body tissue-equivalent media are required for SAR measurements in a frequency band, the variability measurement procedures should be applied to the tissue medium with the highest measured SAR, using the highest measured SAR configuration for that tissue-equivalent medium. Alternatively, if the highest measured SAR for both head and body tissue-equivalent media are ≤ 1.45 W/kg and the ratio of these highest SAR values, i.e., largest divided by smallest value, is ≤ 1.10 , the highest SAR configuration for either head or body tissue-equivalent medium may be used to perform the repeated measurement. These additional measurements are repeated after the completion of all measurements requiring the same head or body tissue-equivalent medium in a frequency band. The test device should be returned to ambient conditions (normal room temperature) with the battery fully charged before it is re-mounted on the device holder for the repeated measurement(s) to minimize any unexpected variations in the repeated results.

SAR repeated measurement procedure:

1. When the highest measured SAR is < 0.80 W/kg, repeated measurement is not required.
2. When the highest measured SAR is ≥ 0.80 W/kg, repeat that measurement once.
3. If the ratio of largest to smallest SAR for the original and first repeated measurements is > 1.20 , or when the original or repeated measurement is ≥ 1.45 W/kg, perform a second repeated measurement.
4. If the ratio of largest to smallest SAR for the original, first and second repeated measurements is > 1.20 , and the original, first or second repeated measurement is ≥ 1.5 W/kg, perform a third repeated measurement.

Band	Mode	Test Position	Separation Distance (cm)	Ch.	Original Measured SAR-1g (W/kg)	1st Repeated SAR-1g (W/kg)	L/S Ratio	2nd Repeated SAR-1g (W/kg)	L/S Ratio	3rd Repeated SAR-1g (W/kg)	L/S Ratio
GSM850	GPRS8	Right Cheek	0	189	0.845	0.832	1.02	N/A	N/A	N/A	N/A
WCDMA V	RMC12.2K	Left Cheek	0	4182	1.19	1.17	1.02	N/A	N/A	N/A	N/A
LTE 5	QPSK10M	Left Cheek	0	20600	1.04	1.01	1.03	N/A	N/A	N/A	N/A
WCDMA II	RMC12.2K	Front Face	1.5	9538	1.17	1.15	1.02	N/A	N/A	N/A	N/A
WCDMA IV	RMC12.2K	Front Face	1.5	1312	1.11	1.08	1.03	N/A	N/A	N/A	N/A
LTE 2	QPSK20M	Front Face	1.5	18900	0.872	0.867	1.01	N/A	N/A	N/A	N/A
GSM1900	GPRS8	Bottom Side	1.0	810	1.17	1.15	1.02	N/A	N/A	N/A	N/A
WCDMA II	RMC12.2K	Bottom Side	1.0	9538	1.18	1.15	1.03	N/A	N/A	N/A	N/A
WCDMA IV	RMC12.2K	Bottom Side	1.0	1312	1.11	1.09	1.02	N/A	N/A	N/A	N/A
LTE 2	QPSK20M	Bottom Side	1.0	18700	1.13	1.11	1.02	N/A	N/A	N/A	N/A
LTE 4	QPSK20M	Bottom Side	1.0	20050	0.95	0.943	1.01	N/A	N/A	N/A	N/A

FCC SAR Test Report

4.7.7 Simultaneous Multi-band Transmission Evaluation

<Possibilities of Simultaneous Transmission>

The simultaneous transmission possibilities for this device are listed as below.

Simultaneous TX Combination	Capable Transmit Configurations	Head Exposure Condition	Body-worn Exposure Condition	Hotspot Exposure Condition
1	WWAN + WLAN	Yes	Yes	Yes
2	WWAN + BT	No	Yes	Yes

Note :

1. The WLAN 2.4G and WLAN 5G cannot transmit simultaneously.
2. The WLAN and Bluetooth cannot transmit simultaneously.

FCC SAR Test Report

<SAR Summation Analysis>

Simultaneous transmission SAR test exclusion is determined for each operating configuration and exposure condition according to the reported standalone SAR of each applicable simultaneous transmitting antenna. When the sum of SAR_{1g} of all simultaneously transmitting antennas in an operating mode and exposure condition combination is within the SAR limit (SAR_{1g} 1.6 W/kg), the simultaneous transmission SAR is not required. When the sum of SAR_{1g} is greater than the SAR limit (SAR_{1g} 1.6 W/kg), SAR test exclusion is determined by the SPLSR.

No.	Conditions (SAR1 + SAR2)	Exposure Condition	Test Position	Max. SAR1	Max. SAR2	SAR Summation	SPLSR Analysis
1	GSM850 + WLAN (DTS)	Head	Right Cheek	0.67	0.50	1.17	Σ SAR < 1.6, Not required
			Right Tilted	0.54	0.42	0.96	Σ SAR < 1.6, Not required
			Left Cheek	0.71	0.18	0.89	Σ SAR < 1.6, Not required
			Left Tilted	0.66	0.17	0.83	Σ SAR < 1.6, Not required
		Body	Front Face	0.26	0.03	0.29	Σ SAR < 1.6, Not required
			Rear Face	0.25	0.02	0.27	Σ SAR < 1.6, Not required
		Hotspot	Front Face	0.23	0.07	0.30	Σ SAR < 1.6, Not required
			Rear Face	0.17	0.03	0.20	Σ SAR < 1.6, Not required
			Left Side	0.10	0.00	0.10	Σ SAR < 1.6, Not required
			Right Side	0.11	0	0.11	Σ SAR < 1.6, Not required
			Top Side	0.17	0.05	0.22	Σ SAR < 1.6, Not required
			Bottom Side	0.21	0	0.21	Σ SAR < 1.6, Not required
		2	GSM850 + WLAN (NII)	Head	Right Cheek	0.67	0.84
Right Tilted	0.54				0.76	1.30	Σ SAR < 1.6, Not required
Left Cheek	0.71				0.00	0.71	Σ SAR < 1.6, Not required
Left Tilted	0.66				0.00	0.66	Σ SAR < 1.6, Not required
Body	Front Face			0.26	0.03	0.29	Σ SAR < 1.6, Not required
	Rear Face			0.25	0	0.25	Σ SAR < 1.6, Not required
Hotspot	Front Face			0.23	0.06	0.29	Σ SAR < 1.6, Not required
	Rear Face			0.17	0	0.17	Σ SAR < 1.6, Not required
	Left Side			0.10	0.03	0.13	Σ SAR < 1.6, Not required
	Right Side			0.11	0	0.11	Σ SAR < 1.6, Not required
	Top Side			0.17	0.01	0.18	Σ SAR < 1.6, Not required
	Bottom Side			0.21	0	0.21	Σ SAR < 1.6, Not required
	GSM850 + BT (DSS)			Body	Front Face	0.26	0.00
		Rear Face	0.25		0.00	0.25	Σ SAR < 1.6, Not required

FCC SAR Test Report

No.	Conditions (SAR1 + SAR2)	Exposure Condition	Test Position	Max. SAR1	Max. SAR2	SAR Summation	SPLSR Analysis
3	GSM1900 + WLAN (DTS)	Head	Right Cheek	0.06	0.50	0.56	Σ SAR < 1.6, Not required
			Right Tilted	0	0.42	0.42	Σ SAR < 1.6, Not required
			Left Cheek	0.08	0.18	0.26	Σ SAR < 1.6, Not required
			Left Tilted	0	0.17	0.17	Σ SAR < 1.6, Not required
		Body	Front Face	0.53	0.03	0.56	Σ SAR < 1.6, Not required
			Rear Face	0.31	0.02	0.33	Σ SAR < 1.6, Not required
		Hotspot	Front Face	0.59	0.07	0.66	Σ SAR < 1.6, Not required
			Rear Face	0.35	0.03	0.38	Σ SAR < 1.6, Not required
			Left Side	0.00	0.00	0.00	Σ SAR < 1.6, Not required
			Right Side	0.08	0	0.08	Σ SAR < 1.6, Not required
			Top Side	0	0.05	0.05	Σ SAR < 1.6, Not required
			Bottom Side	1.18	0	1.18	Σ SAR < 1.6, Not required
4	GSM1900 + WLAN (NII)	Head	Right Cheek	0.06	0.84	0.90	Σ SAR < 1.6, Not required
			Right Tilted	0	0.76	0.76	Σ SAR < 1.6, Not required
			Left Cheek	0.08	0.00	0.08	Σ SAR < 1.6, Not required
			Left Tilted	0	0.00	0.00	Σ SAR < 1.6, Not required
		Body	Front Face	0.53	0.03	0.56	Σ SAR < 1.6, Not required
			Rear Face	0.31	0	0.31	Σ SAR < 1.6, Not required
		Hotspot	Front Face	0.59	0.06	0.65	Σ SAR < 1.6, Not required
			Rear Face	0.35	0	0.35	Σ SAR < 1.6, Not required
			Left Side	0.00	0.03	0.03	Σ SAR < 1.6, Not required
			Right Side	0.08	0	0.08	Σ SAR < 1.6, Not required
			Top Side	0	0.01	0.01	Σ SAR < 1.6, Not required
			Bottom Side	1.18	0	1.18	Σ SAR < 1.6, Not required
	GSM1900 + BT (DSS)	Body	Front Face	0.53	0.00	0.53	Σ SAR < 1.6, Not required
			Rear Face	0.31	0.00	0.31	Σ SAR < 1.6, Not required

FCC SAR Test Report

No.	Conditions (SAR1 + SAR2)	Exposure Condition	Test Position	Max. SAR1	Max. SAR2	SAR Summation	SPLSR Analysis
5	WCDMA II + WLAN (DTS)	Head	Right Cheek	0.18	0.50	0.68	Σ SAR < 1.6, Not required
			Right Tilted	0.06	0.42	0.48	Σ SAR < 1.6, Not required
			Left Cheek	0.15	0.18	0.33	Σ SAR < 1.6, Not required
			Left Tilted	0.06	0.17	0.23	Σ SAR < 1.6, Not required
		Body	Front Face	1.19	0.03	1.22	Σ SAR < 1.6, Not required
			Rear Face	0.70	0.02	0.72	Σ SAR < 1.6, Not required
		Hotspot	Front Face	0.58	0.07	0.65	Σ SAR < 1.6, Not required
			Rear Face	0.33	0.03	0.36	Σ SAR < 1.6, Not required
			Left Side	0.03	0.00	0.03	Σ SAR < 1.6, Not required
			Right Side	0.03	0	0.03	Σ SAR < 1.6, Not required
			Top Side	0	0.05	0.05	Σ SAR < 1.6, Not required
			Bottom Side	1.19	0	1.19	Σ SAR < 1.6, Not required
6	WCDMA II + WLAN (NII)	Head	Right Cheek	0.18	0.84	1.02	Σ SAR < 1.6, Not required
			Right Tilted	0.06	0.76	0.82	Σ SAR < 1.6, Not required
			Left Cheek	0.15	0.00	0.15	Σ SAR < 1.6, Not required
			Left Tilted	0.06	0.00	0.06	Σ SAR < 1.6, Not required
		Body	Front Face	1.19	0.03	1.22	Σ SAR < 1.6, Not required
			Rear Face	0.70	0	0.70	Σ SAR < 1.6, Not required
		Hotspot	Front Face	0.58	0.06	0.64	Σ SAR < 1.6, Not required
			Rear Face	0.33	0	0.33	Σ SAR < 1.6, Not required
			Left Side	0.03	0.03	0.06	Σ SAR < 1.6, Not required
			Right Side	0.03	0	0.03	Σ SAR < 1.6, Not required
			Top Side	0	0.01	0.01	Σ SAR < 1.6, Not required
			Bottom Side	1.19	0	1.19	Σ SAR < 1.6, Not required
	WCDMA II + BT (DSS)	Body	Front Face	1.19	0.00	1.19	Σ SAR < 1.6, Not required
			Rear Face	0.70	0.00	0.70	Σ SAR < 1.6, Not required

FCC SAR Test Report

No.	Conditions (SAR1 + SAR2)	Exposure Condition	Test Position	Max. SAR1	Max. SAR2	SAR Summation	SPLSR Analysis
7	WCDMA IV + WLAN (DTS)	Head	Right Cheek	0.17	0.50	0.67	Σ SAR < 1.6, Not required
			Right Tilted	0.06	0.42	0.48	Σ SAR < 1.6, Not required
			Left Cheek	0.12	0.18	0.30	Σ SAR < 1.6, Not required
			Left Tilted	0	0.17	0.17	Σ SAR < 1.6, Not required
		Body	Front Face	1.16	0.03	1.19	Σ SAR < 1.6, Not required
			Rear Face	0.63	0.02	0.65	Σ SAR < 1.6, Not required
		Hotspot	Front Face	0.73	0.07	0.80	Σ SAR < 1.6, Not required
			Rear Face	0.42	0.03	0.45	Σ SAR < 1.6, Not required
			Left Side	0.00	0.00	0.00	Σ SAR < 1.6, Not required
			Right Side	0.04	0	0.04	Σ SAR < 1.6, Not required
			Top Side	0	0.05	0.05	Σ SAR < 1.6, Not required
			Bottom Side	1.15	0	1.15	Σ SAR < 1.6, Not required
8	WCDMA IV + WLAN (NII)	Head	Right Cheek	0.17	0.84	1.01	Σ SAR < 1.6, Not required
			Right Tilted	0.06	0.76	0.82	Σ SAR < 1.6, Not required
			Left Cheek	0.12	0.00	0.12	Σ SAR < 1.6, Not required
			Left Tilted	0	0.00	0.00	Σ SAR < 1.6, Not required
		Body	Front Face	1.16	0.03	1.19	Σ SAR < 1.6, Not required
			Rear Face	0.63	0	0.63	Σ SAR < 1.6, Not required
		Hotspot	Front Face	0.73	0.06	0.79	Σ SAR < 1.6, Not required
			Rear Face	0.42	0	0.42	Σ SAR < 1.6, Not required
			Left Side	0.00	0.03	0.03	Σ SAR < 1.6, Not required
			Right Side	0.04	0	0.04	Σ SAR < 1.6, Not required
			Top Side	0	0.01	0.01	Σ SAR < 1.6, Not required
			Bottom Side	1.15	0	1.15	Σ SAR < 1.6, Not required
	WCDMA IV + BT (DSS)	Body	Front Face	1.16	0.00	1.16	Σ SAR < 1.6, Not required
			Rear Face	0.63	0.00	0.63	Σ SAR < 1.6, Not required

FCC SAR Test Report

No.	Conditions (SAR1 + SAR2)	Exposure Condition	Test Position	Max. SAR1	Max. SAR2	SAR Summation	SPLSR Analysis
9	WCDMA V + WLAN (DTS)	Head	Right Cheek	0.63	0.50	1.13	Σ SAR < 1.6, Not required
			Right Tilted	0.56	0.42	0.98	Σ SAR < 1.6, Not required
			Left Cheek	0.70	0.18	0.88	Σ SAR < 1.6, Not required
			Left Tilted	0.59	0.17	0.76	Σ SAR < 1.6, Not required
		Body	Front Face	0.29	0.03	0.32	Σ SAR < 1.6, Not required
			Rear Face	0.28	0.02	0.30	Σ SAR < 1.6, Not required
		Hotspot	Front Face	0.24	0.07	0.31	Σ SAR < 1.6, Not required
			Rear Face	0.12	0.03	0.15	Σ SAR < 1.6, Not required
			Left Side	0.11	0.00	0.11	Σ SAR < 1.6, Not required
			Right Side	0.10	0	0.10	Σ SAR < 1.6, Not required
			Top Side	0.09	0.05	0.14	Σ SAR < 1.6, Not required
			Bottom Side	0.26	0	0.26	Σ SAR < 1.6, Not required
		10	WCDMA V + WLAN (NII)	Head	Right Cheek	0.63	0.84
Right Tilted	0.56				0.76	1.32	Σ SAR < 1.6, Not required
Left Cheek	0.70				0.00	0.70	Σ SAR < 1.6, Not required
Left Tilted	0.59				0.00	0.59	Σ SAR < 1.6, Not required
Body	Front Face			0.29	0.03	0.32	Σ SAR < 1.6, Not required
	Rear Face			0.28	0	0.28	Σ SAR < 1.6, Not required
Hotspot	Front Face			0.24	0.06	0.30	Σ SAR < 1.6, Not required
	Rear Face			0.12	0	0.12	Σ SAR < 1.6, Not required
	Left Side			0.11	0.03	0.14	Σ SAR < 1.6, Not required
	Right Side			0.10	0	0.10	Σ SAR < 1.6, Not required
	Top Side			0.09	0.01	0.10	Σ SAR < 1.6, Not required
	Bottom Side			0.26	0	0.26	Σ SAR < 1.6, Not required
	WCDMA V + BT (DSS)			Body	Front Face	0.29	0.00
		Rear Face	0.28		0.00	0.28	Σ SAR < 1.6, Not required

FCC SAR Test Report

No.	Conditions (SAR1 + SAR2)	Exposure Condition	Test Position	Max. SAR1	Max. SAR2	SAR Summation	SPLSR Analysis
11	LTE 2 + WLAN (DTS)	Head	Right Cheek	0.12	0.50	0.62	Σ SAR < 1.6, Not required
			Right Tilted	0.05	0.42	0.47	Σ SAR < 1.6, Not required
			Left Cheek	0.11	0.18	0.29	Σ SAR < 1.6, Not required
			Left Tilted	0.06	0.17	0.23	Σ SAR < 1.6, Not required
		Body	Front Face	0.88	0.03	0.91	Σ SAR < 1.6, Not required
			Rear Face	0.47	0.02	0.49	Σ SAR < 1.6, Not required
		Hotspot	Front Face	0.59	0.07	0.66	Σ SAR < 1.6, Not required
			Rear Face	0.32	0.03	0.35	Σ SAR < 1.6, Not required
			Left Side	0.05	0.00	0.05	Σ SAR < 1.6, Not required
			Right Side	0.08	0	0.08	Σ SAR < 1.6, Not required
			Top Side	0	0.05	0.05	Σ SAR < 1.6, Not required
			Bottom Side	1.16	0	1.16	Σ SAR < 1.6, Not required
12	LTE 2 + WLAN (NII)	Head	Right Cheek	0.12	0.84	0.96	Σ SAR < 1.6, Not required
			Right Tilted	0.05	0.76	0.81	Σ SAR < 1.6, Not required
			Left Cheek	0.11	0.00	0.11	Σ SAR < 1.6, Not required
			Left Tilted	0.06	0.00	0.06	Σ SAR < 1.6, Not required
		Body	Front Face	0.88	0.03	0.91	Σ SAR < 1.6, Not required
			Rear Face	0.47	0	0.47	Σ SAR < 1.6, Not required
		Hotspot	Front Face	0.59	0.06	0.65	Σ SAR < 1.6, Not required
			Rear Face	0.32	0	0.32	Σ SAR < 1.6, Not required
			Left Side	0.05	0.03	0.08	Σ SAR < 1.6, Not required
			Right Side	0.08	0	0.08	Σ SAR < 1.6, Not required
			Top Side	0	0.01	0.01	Σ SAR < 1.6, Not required
			Bottom Side	1.16	0	1.16	Σ SAR < 1.6, Not required
	LTE 2 + BT (DSS)	Body	Front Face	0.88	0.00	0.88	Σ SAR < 1.6, Not required
			Rear Face	0.47	0.00	0.47	Σ SAR < 1.6, Not required

FCC SAR Test Report

No.	Conditions (SAR1 + SAR2)	Exposure Condition	Test Position	Max. SAR1	Max. SAR2	SAR Summation	SPLSR Analysis
13	LTE 4 + WLAN (DTS)	Head	Right Cheek	0.12	0.50	0.62	Σ SAR < 1.6, Not required
			Right Tilted	0	0.42	0.42	Σ SAR < 1.6, Not required
			Left Cheek	0.10	0.18	0.28	Σ SAR < 1.6, Not required
			Left Tilted	0.03	0.17	0.20	Σ SAR < 1.6, Not required
		Body	Front Face	0.78	0.03	0.81	Σ SAR < 1.6, Not required
			Rear Face	0.56	0.02	0.58	Σ SAR < 1.6, Not required
		Hotspot	Front Face	0.54	0.07	0.61	Σ SAR < 1.6, Not required
			Rear Face	0.32	0.03	0.35	Σ SAR < 1.6, Not required
			Left Side	0.00	0.00	0.00	Σ SAR < 1.6, Not required
			Right Side	0.03	0	0.03	Σ SAR < 1.6, Not required
			Top Side	0	0.05	0.05	Σ SAR < 1.6, Not required
Bottom Side	0.97	0	0.97	Σ SAR < 1.6, Not required			
14	LTE 4 + WLAN (NII)	Head	Right Cheek	0.12	0.84	0.96	Σ SAR < 1.6, Not required
			Right Tilted	0	0.76	0.76	Σ SAR < 1.6, Not required
			Left Cheek	0.10	0.00	0.10	Σ SAR < 1.6, Not required
			Left Tilted	0.03	0.00	0.03	Σ SAR < 1.6, Not required
		Body	Front Face	0.78	0.03	0.81	Σ SAR < 1.6, Not required
			Rear Face	0.56	0	0.56	Σ SAR < 1.6, Not required
		Hotspot	Front Face	0.54	0.06	0.60	Σ SAR < 1.6, Not required
			Rear Face	0.32	0	0.32	Σ SAR < 1.6, Not required
			Left Side	0.00	0.03	0.03	Σ SAR < 1.6, Not required
			Right Side	0.03	0	0.03	Σ SAR < 1.6, Not required
			Top Side	0	0.01	0.01	Σ SAR < 1.6, Not required
Bottom Side	0.97	0	0.97	Σ SAR < 1.6, Not required			
	LTE 4 + BT (DSS)	Body	Front Face	0.78	0.00	0.78	Σ SAR < 1.6, Not required
			Rear Face	0.56	0.00	0.56	Σ SAR < 1.6, Not required

FCC SAR Test Report

No.	Conditions (SAR1 + SAR2)	Exposure Condition	Test Position	Max. SAR1	Max. SAR2	SAR Summation	SPLSR Analysis
15	LTE 5 + WLAN (DTS)	Head	Right Cheek	0.54	0.50	1.04	Σ SAR < 1.6, Not required
			Right Tilted	0.46	0.42	0.88	Σ SAR < 1.6, Not required
			Left Cheek	0.56	0.18	0.74	Σ SAR < 1.6, Not required
			Left Tilted	0.56	0.17	0.73	Σ SAR < 1.6, Not required
		Body	Front Face	0.17	0.03	0.20	Σ SAR < 1.6, Not required
			Rear Face	0.16	0.02	0.18	Σ SAR < 1.6, Not required
		Hotspot	Front Face	0.18	0.07	0.25	Σ SAR < 1.6, Not required
			Rear Face	0.14	0.03	0.17	Σ SAR < 1.6, Not required
			Left Side	0.10	0.00	0.10	Σ SAR < 1.6, Not required
			Right Side	0.04	0	0.04	Σ SAR < 1.6, Not required
			Top Side	0.00	0.05	0.05	Σ SAR < 1.6, Not required
		Bottom Side	0.21	0	0.21	Σ SAR < 1.6, Not required	
16	LTE 5 + WLAN (NII)	Head	Right Cheek	0.54	0.84	1.38	Σ SAR < 1.6, Not required
			Right Tilted	0.46	0.76	1.22	Σ SAR < 1.6, Not required
			Left Cheek	0.56	0.00	0.56	Σ SAR < 1.6, Not required
			Left Tilted	0.56	0.00	0.56	Σ SAR < 1.6, Not required
		Body	Front Face	0.17	0.03	0.20	Σ SAR < 1.6, Not required
			Rear Face	0.16	0	0.16	Σ SAR < 1.6, Not required
		Hotspot	Front Face	0.18	0.06	0.24	Σ SAR < 1.6, Not required
			Rear Face	0.14	0	0.14	Σ SAR < 1.6, Not required
			Left Side	0.10	0.03	0.13	Σ SAR < 1.6, Not required
			Right Side	0.04	0	0.04	Σ SAR < 1.6, Not required
			Top Side	0.00	0.01	0.01	Σ SAR < 1.6, Not required
		Bottom Side	0.21	0	0.21	Σ SAR < 1.6, Not required	
	LTE 5 + BT (DSS)	Body	Front Face	0.17	0.00	0.17	Σ SAR < 1.6, Not required
			Rear Face	0.16	0.00	0.16	Σ SAR < 1.6, Not required

FCC SAR Test Report

No.	Conditions (SAR1 + SAR2)	Exposure Condition	Test Position	Max. SAR1	Max. SAR2	SAR Summation	SPLSR Analysis
17	LTE 7 + WLAN (DTS)	Head	Right Cheek	0.19	0.50	0.69	Σ SAR < 1.6, Not required
			Right Tilted	0.06	0.42	0.48	Σ SAR < 1.6, Not required
			Left Cheek	0.10	0.18	0.28	Σ SAR < 1.6, Not required
			Left Tilted	0.08	0.17	0.25	Σ SAR < 1.6, Not required
		Body	Front Face	0.37	0.03	0.40	Σ SAR < 1.6, Not required
			Rear Face	0.36	0.02	0.38	Σ SAR < 1.6, Not required
		Hotspot	Front Face	0.79	0.07	0.86	Σ SAR < 1.6, Not required
			Rear Face	0.75	0.03	0.78	Σ SAR < 1.6, Not required
			Left Side	0.00	0.00	0.00	Σ SAR < 1.6, Not required
			Right Side	0.41	0	0.41	Σ SAR < 1.6, Not required
			Top Side	0	0.05	0.05	Σ SAR < 1.6, Not required
			Bottom Side	0.59	0	0.59	Σ SAR < 1.6, Not required
18	LTE 7 + WLAN (NII)	Head	Right Cheek	0.19	0.84	1.03	Σ SAR < 1.6, Not required
			Right Tilted	0.06	0.76	0.82	Σ SAR < 1.6, Not required
			Left Cheek	0.10	0.00	0.10	Σ SAR < 1.6, Not required
			Left Tilted	0.08	0.00	0.08	Σ SAR < 1.6, Not required
		Body	Front Face	0.37	0.03	0.40	Σ SAR < 1.6, Not required
			Rear Face	0.36	0	0.36	Σ SAR < 1.6, Not required
		Hotspot	Front Face	0.79	0.06	0.85	Σ SAR < 1.6, Not required
			Rear Face	0.75	0	0.75	Σ SAR < 1.6, Not required
			Left Side	0.00	0.03	0.03	Σ SAR < 1.6, Not required
			Right Side	0.41	0	0.41	Σ SAR < 1.6, Not required
			Top Side	0	0.01	0.01	Σ SAR < 1.6, Not required
			Bottom Side	0.59	0	0.59	Σ SAR < 1.6, Not required
	LTE 7 + BT (DSS)	Body	Front Face	0.37	0.00	0.37	Σ SAR < 1.6, Not required
			Rear Face	0.36	0.00	0.36	Σ SAR < 1.6, Not required

FCC SAR Test Report

No.	Conditions (SAR1 + SAR2)	Exposure Condition	Test Position	Max. SAR1	Max. SAR2	SAR Summation	SPLSR Analysis
19	LTE 12 + WLAN (DTS)	Head	Right Cheek	0.43	0.50	0.93	Σ SAR < 1.6, Not required
			Right Tilted	0.33	0.42	0.75	Σ SAR < 1.6, Not required
			Left Cheek	0.58	0.18	0.76	Σ SAR < 1.6, Not required
			Left Tilted	0.47	0.17	0.64	Σ SAR < 1.6, Not required
		Body	Front Face	0.25	0.03	0.28	Σ SAR < 1.6, Not required
			Rear Face	0.23	0.02	0.25	Σ SAR < 1.6, Not required
		Hotspot	Front Face	0.24	0.07	0.31	Σ SAR < 1.6, Not required
			Rear Face	0.16	0.03	0.19	Σ SAR < 1.6, Not required
			Left Side	0.10	0.00	0.10	Σ SAR < 1.6, Not required
			Right Side	0.09	0	0.09	Σ SAR < 1.6, Not required
			Top Side	0.07	0.05	0.12	Σ SAR < 1.6, Not required
			Bottom Side	0.18	0	0.18	Σ SAR < 1.6, Not required
20	LTE 12 + WLAN (NII)	Head	Right Cheek	0.43	0.84	1.27	Σ SAR < 1.6, Not required
			Right Tilted	0.33	0.76	1.09	Σ SAR < 1.6, Not required
			Left Cheek	0.58	0.00	0.58	Σ SAR < 1.6, Not required
			Left Tilted	0.47	0.00	0.47	Σ SAR < 1.6, Not required
		Body	Front Face	0.25	0.03	0.28	Σ SAR < 1.6, Not required
			Rear Face	0.23	0	0.23	Σ SAR < 1.6, Not required
		Hotspot	Front Face	0.24	0.06	0.30	Σ SAR < 1.6, Not required
			Rear Face	0.16	0	0.16	Σ SAR < 1.6, Not required
			Left Side	0.10	0.03	0.13	Σ SAR < 1.6, Not required
			Right Side	0.09	0	0.09	Σ SAR < 1.6, Not required
			Top Side	0.07	0.01	0.08	Σ SAR < 1.6, Not required
			Bottom Side	0.18	0	0.18	Σ SAR < 1.6, Not required
	LTE 12 + BT (DSS)	Body	Front Face	0.25	0.00	0.25	Σ SAR < 1.6, Not required
			Rear Face	0.23	0.00	0.23	Σ SAR < 1.6, Not required

FCC SAR Test Report

No.	Conditions (SAR1 + SAR2)	Exposure Condition	Test Position	Max. SAR1	Max. SAR2	SAR Summation	SPLSR Analysis
21	LTE 17 + WLAN (DTS)	Head	Right Cheek	0.48	0.50	0.98	Σ SAR < 1.6, Not required
			Right Tilted	0.34	0.42	0.76	Σ SAR < 1.6, Not required
			Left Cheek	0.58	0.18	0.76	Σ SAR < 1.6, Not required
			Left Tilted	0.47	0.17	0.64	Σ SAR < 1.6, Not required
		Body	Front Face	0.24	0.03	0.27	Σ SAR < 1.6, Not required
			Rear Face	0.23	0.02	0.25	Σ SAR < 1.6, Not required
		Hotspot	Front Face	0.23	0.07	0.30	Σ SAR < 1.6, Not required
			Rear Face	0.20	0.03	0.23	Σ SAR < 1.6, Not required
			Left Side	0.12	0.00	0.12	Σ SAR < 1.6, Not required
			Right Side	0.07	0	0.07	Σ SAR < 1.6, Not required
			Top Side	0.08	0.05	0.13	Σ SAR < 1.6, Not required
			Bottom Side	0.19	0	0.19	Σ SAR < 1.6, Not required
22	LTE 17 + WLAN (NII)	Head	Right Cheek	0.48	0.84	1.32	Σ SAR < 1.6, Not required
			Right Tilted	0.34	0.76	1.10	Σ SAR < 1.6, Not required
			Left Cheek	0.58	0.00	0.58	Σ SAR < 1.6, Not required
			Left Tilted	0.47	0.00	0.47	Σ SAR < 1.6, Not required
		Body	Front Face	0.24	0.03	0.27	Σ SAR < 1.6, Not required
			Rear Face	0.23	0	0.23	Σ SAR < 1.6, Not required
		Hotspot	Front Face	0.23	0.06	0.29	Σ SAR < 1.6, Not required
			Rear Face	0.20	0	0.20	Σ SAR < 1.6, Not required
			Left Side	0.12	0.03	0.15	Σ SAR < 1.6, Not required
			Right Side	0.07	0	0.07	Σ SAR < 1.6, Not required
			Top Side	0.08	0.01	0.09	Σ SAR < 1.6, Not required
			Bottom Side	0.19	0	0.19	Σ SAR < 1.6, Not required
	LTE 17 + BT (DSS)	Body	Front Face	0.24	0.00	0.24	Σ SAR < 1.6, Not required
			Rear Face	0.23	0.00	0.23	Σ SAR < 1.6, Not required

Test Engineer : Willy Chang, and Kevin Yao

5. Calibration of Test Equipment

Equipment	Manufacturer	Model	SN	Cal. Date	Cal. Interval
System Validation Dipole	SPEAG	D750V3	1013	Aug. 21, 2017	1 Year
System Validation Dipole	SPEAG	D835V2	4d121	Aug. 21, 2017	1 Year
System Validation Dipole	SPEAG	D1750V2	1055	Aug. 21, 2017	1 Year
System Validation Dipole	SPEAG	D1900V2	5d036	Jan. 23, 2017	1 Year
System Validation Dipole	SPEAG	D2450V2	737	Aug. 17, 2017	1 Year
System Validation Dipole	SPEAG	D2600V2	1020	Aug. 17, 2017	1 Year
System Validation Dipole	SPEAG	D5GHzV2	1019	Aug. 23, 2017	1 Year
Dosimetric E-Field Probe	SPEAG	EX3DV4	3650	Jul. 24, 2017	1 Year
Dosimetric E-Field Probe	SPEAG	EX3DV4	3971	Mar. 24, 2017	1 Year
Dosimetric E-Field Probe	SPEAG	EX3DV4	7375	Dec. 08, 2016	1 Year
Data Acquisition Electronics	SPEAG	DAE3	579	Aug. 17, 2017	1 Year
Data Acquisition Electronics	SPEAG	DAE4	861	May. 22, 2017	1 Year
Data Acquisition Electronics	SPEAG	DAE4	1277	Jul. 20, 2017	1 Year
Wireless Communication Test Set	Agilent	E5515C	MY50266628	Dec. 12, 2016	1 Year
Radio Communication Analyzer	Anritsu	MT8820C	6201300638	Jul. 11, 2017	1 Year
Spectrum Analyzer	R&S	FSL6	102006	Mar. 27, 2017	1 Year
ENA Series Network Analyzer	Agilent	E5071C	MY46214281	Jun. 09, 2017	1 Year
Vector Signal Generator	Anritsu	MG3710A	6201599977	Mar. 27, 2017	1 Year
Power Meter	Anritsu	ML2495A	1218009	Jul. 12, 2017	1 Year
Power Sensor	Anritsu	MA2411B	1207252	Jul. 12, 2017	1 Year
Universal Wireless Test Set	Anritsu	MT8870A/MU88 7000A	6201699387	Sep. 14, 2017	1 Year
Thermometer	YFE	YF-160A	130504591	Mar. 24, 2017	1 Year
Power Amplifier	AR	5S1G4	0339656	Sep. 20, 2017	1 Year
Power Amplifier	mini-circuits	ZVE-8G	05770420A	Sep. 15, 2017	1 Year
Attenuator	MTJ	MTJ6011-03	N/A	Sep. 15, 2017	1 Year
Directional Coupler	Woken	0110A056020-10	11122702	Sep. 15, 2017	1 Year

6. Measurement Uncertainty

Source of Uncertainty	Uncertainty (± %)	Probability Distribution	Divisor	Ci (1g)	Ci (10g)	Standard Uncertainty (± %, 1g)	Standard Uncertainty (± %, 10g)	Vi
Measurement System								
Probe Calibration	6.0	Normal	1	1	1	6.0	6.0	∞
Axial Isotropy	4.7	Rectangular	√3	√0.5	√0.5	1.9	1.9	∞
Hemispherical Isotropy	9.6	Rectangular	√3	√0.5	√0.5	3.9	3.9	∞
Boundary Effect	1.0	Rectangular	√3	1	1	0.6	0.6	∞
Linearity	4.7	Rectangular	√3	1	1	2.7	2.7	∞
Detection Limits	0.25	Rectangular	√3	1	1	0.14	0.14	∞
Probe Modulation Response	3.5	Rectangular	√3	1	1	2.0	2.0	∞
Readout Electronics	0.3	Normal	1	1	1	0.3	0.3	∞
Response Time	0.0	Rectangular	√3	1	1	0.0	0.0	∞
Integration Time	1.7	Rectangular	√3	1	1	1.0	1.0	∞
RF Ambient Conditions – Noise	3.0	Rectangular	√3	1	1	1.7	1.7	∞
RF Ambient Conditions – Reflections	3.0	Rectangular	√3	1	1	1.7	1.7	∞
Probe Positioner Mechanical Tolerance	0.4	Rectangular	√3	1	1	0.2	0.2	∞
Probe Positioning with Respect to Phantom	2.9	Rectangular	√3	1	1	1.7	1.7	∞
Post-processing	2.0	Rectangular	√3	1	1	1.2	1.2	∞
Test Sample Related								
Test Sample Positioning	3.9 / 2.06	Normal	1	1	1	3.9	2.1	35
Device Holder Uncertainty	2.9 / 4.1	Normal	1	1	1	2.9	4.1	11
Power Drift of Measurement	5.0	Rectangular	√3	1	1	2.9	2.9	∞
Power Scaling	0.0	Rectangular	√3	1	1	0.0	0.0	∞
Phantom and Setup								
Phantom Uncertainty (Shape and Thickness Tolerances)	6.1	Rectangular	√3	1	1	3.5	3.5	∞
Liquid Conductivity (Temperature Uncertainty)	3.24	Rectangular	√3	0.78	0.71	1.5	1.3	∞
Liquid Conductivity (Measured)	2.88	Normal	1	0.78	0.71	2.2	2.0	43
Liquid Permittivity (Temperature Uncertainty)	1.13	Rectangular	√3	0.23	0.26	0.2	0.2	∞
Liquid Permittivity (Measured)	2.50	Normal	1	0.23	0.26	0.6	0.7	54
Combined Standard Uncertainty						± 11.4 %	± 11.2 %	
Expanded Uncertainty (K=2)						± 22.8 %	± 22.4 %	

Head SAR Uncertainty Budget for Frequency Range of 300 MHz to 3 GHz

FCC SAR Test Report

Source of Uncertainty	Uncertainty (± %)	Probability Distribution	Divisor	C _i (1g)	C _i (10g)	Standard Uncertainty (± %, 1g)	Standard Uncertainty (± %, 10g)	V _i
Measurement System								
Probe Calibration	6.55	Normal	1	1	1	6.55	6.55	∞
Axial Isotropy	4.7	Rectangular	√3	0.7	0.7	1.9	1.9	∞
Hemispherical Isotropy	9.6	Rectangular	√3	0.7	0.7	3.9	3.9	∞
Boundary Effect	2.0	Rectangular	√3	1	1	1.2	1.2	∞
Linearity	4.7	Rectangular	√3	1	1	2.7	2.7	∞
Detection Limits	0.25	Rectangular	√3	1	1	0.14	0.14	∞
Probe Modulation Response	3.5	Rectangular	√3	1	1	2.0	2.0	∞
Readout Electronics	0.3	Normal	1	1	1	0.3	0.3	∞
Response Time	0.0	Rectangular	√3	1	1	0.0	0.0	∞
Integration Time	1.7	Rectangular	√3	1	1	1.0	1.0	∞
RF Ambient Conditions – Noise	3.0	Rectangular	√3	1	1	1.7	1.7	∞
RF Ambient Conditions – Reflections	3.0	Rectangular	√3	1	1	1.7	1.7	∞
Probe Positioner Mechanical Tolerance	0.4	Rectangular	√3	1	1	0.2	0.2	∞
Probe Positioning with Respect to Phantom	6.7	Rectangular	√3	1	1	3.9	3.9	∞
Post-processing	4.0	Rectangular	√3	1	1	2.3	2.3	∞
Test Sample Related								
Test Sample Positioning	3.9 / 2.06	Normal	1	1	1	3.9	2.1	35
Device Holder Uncertainty	2.9 / 4.1	Normal	1	1	1	2.9	4.1	11
Power Drift of Measurement	5.0	Rectangular	√3	1	1	2.9	2.9	∞
Power Scaling	0.0	Rectangular	√3	1	1	0.0	0.0	∞
Phantom and Setup								
Phantom Uncertainty (Shape and Thickness Tolerances)	6.6	Rectangular	√3	1	1	3.8	3.8	∞
Liquid Conductivity (Temperature Uncertainty)	3.24	Rectangular	√3	0.78	0.71	1.5	1.3	∞
Liquid Conductivity (Measured)	2.88	Normal	1	0.78	0.71	2.2	2.0	43
Liquid Permittivity (Temperature Uncertainty)	1.13	Rectangular	√3	0.23	0.26	0.2	0.2	∞
Liquid Permittivity (Measured)	2.50	Normal	1	0.23	0.26	0.6	0.7	54
Combined Standard Uncertainty						± 12.5 %	± 12.3 %	
Expanded Uncertainty (K=2)						± 25.0 %	± 24.6 %	

Head SAR Uncertainty Budget for Frequency Range of 3 GHz to 6 GHz

FCC SAR Test Report

Source of Uncertainty	Uncertainty (± %)	Probability Distribution	Divisor	Ci (1g)	Ci (10g)	Standard Uncertainty (± %, 1g)	Standard Uncertainty (± %, 10g)	Vi
Measurement System								
Probe Calibration	6.0	Normal	1	1	1	6.0	6.0	∞
Axial Isotropy	4.7	Rectangular	√3	√0.5	√0.5	1.9	1.9	∞
Hemispherical Isotropy	9.6	Rectangular	√3	√0.5	√0.5	3.9	3.9	∞
Boundary Effect	1.0	Rectangular	√3	1	1	0.6	0.6	∞
Linearity	4.7	Rectangular	√3	1	1	2.7	2.7	∞
Detection Limits	0.25	Rectangular	√3	1	1	0.14	0.14	∞
Probe Modulation Response	3.5	Rectangular	√3	1	1	2.0	2.0	∞
Readout Electronics	0.3	Normal	1	1	1	0.3	0.3	∞
Response Time	0.0	Rectangular	√3	1	1	0.0	0.0	∞
Integration Time	1.7	Rectangular	√3	1	1	1.0	1.0	∞
RF Ambient Conditions – Noise	3.0	Rectangular	√3	1	1	1.7	1.7	∞
RF Ambient Conditions – Reflections	3.0	Rectangular	√3	1	1	1.7	1.7	∞
Probe Positioner Mechanical Tolerance	0.4	Rectangular	√3	1	1	0.2	0.2	∞
Probe Positioning with Respect to Phantom	2.9	Rectangular	√3	1	1	1.7	1.7	∞
Post-processing	2.0	Rectangular	√3	1	1	1.2	1.2	∞
Test Sample Related								
Test Sample Positioning	4.38 / 1.35	Normal	1	1	1	4.4	1.4	29
Device Holder Uncertainty	2.9 / 4.1	Normal	1	1	1	2.9	4.1	11
Power Drift of Measurement	5.0	Rectangular	√3	1	1	2.9	2.9	∞
Power Scaling	0.0	Rectangular	√3	1	1	0.0	0.0	∞
Phantom and Setup								
Phantom Uncertainty (Shape and Thickness Tolerances)	7.2	Rectangular	√3	1	1	4.2	4.2	∞
Liquid Conductivity (Temperature Uncertainty)	3.24	Rectangular	√3	0.78	0.71	1.5	1.3	∞
Liquid Conductivity (Measured)	2.88	Normal	1	0.78	0.71	2.2	2.0	43
Liquid Permittivity (Temperature Uncertainty)	1.13	Rectangular	√3	0.23	0.26	0.2	0.2	∞
Liquid Permittivity (Measured)	2.50	Normal	1	0.23	0.26	0.6	0.7	54
Combined Standard Uncertainty						± 11.8 %	± 11.3 %	
Expanded Uncertainty (K=2)						± 23.6 %	± 22.6 %	

Body SAR Uncertainty Budget for Frequency Range of 300 MHz to 3 GHz

FCC SAR Test Report

Source of Uncertainty	Uncertainty (± %)	Probability Distribution	Divisor	C _i (1g)	C _i (10g)	Standard Uncertainty (± %, 1g)	Standard Uncertainty (± %, 10g)	V _i
Measurement System								
Probe Calibration	6.55	Normal	1	1	1	6.55	6.55	∞
Axial Isotropy	4.7	Rectangular	√3	0.7	0.7	1.9	1.9	∞
Hemispherical Isotropy	9.6	Rectangular	√3	0.7	0.7	3.9	3.9	∞
Boundary Effect	2.0	Rectangular	√3	1	1	1.2	1.2	∞
Linearity	4.7	Rectangular	√3	1	1	2.7	2.7	∞
Detection Limits	0.25	Rectangular	√3	1	1	0.14	0.14	∞
Probe Modulation Response	3.5	Rectangular	√3	1	1	2.0	2.0	∞
Readout Electronics	0.3	Normal	1	1	1	0.3	0.3	∞
Response Time	0.0	Rectangular	√3	1	1	0.0	0.0	∞
Integration Time	1.7	Rectangular	√3	1	1	1.0	1.0	∞
RF Ambient Conditions – Noise	3.0	Rectangular	√3	1	1	1.7	1.7	∞
RF Ambient Conditions – Reflections	3.0	Rectangular	√3	1	1	1.7	1.7	∞
Probe Positioner Mechanical Tolerance	0.4	Rectangular	√3	1	1	0.2	0.2	∞
Probe Positioning with Respect to Phantom	6.7	Rectangular	√3	1	1	3.9	3.9	∞
Post-processing	4.0	Rectangular	√3	1	1	2.3	2.3	∞
Test Sample Related								
Test Sample Positioning	4.38 / 1.35	Normal	1	1	1	4.4	1.4	29
Device Holder Uncertainty	2.9 / 4.1	Normal	1	1	1	2.9	4.1	11
Power Drift of Measurement	5.0	Rectangular	√3	1	1	2.9	2.9	∞
Power Scaling	0.0	Rectangular	√3	1	1	0.0	0.0	∞
Phantom and Setup								
Phantom Uncertainty (Shape and Thickness Tolerances)	7.6	Rectangular	√3	1	1	4.4	4.4	∞
Liquid Conductivity (Temperature Uncertainty)	3.24	Rectangular	√3	0.78	0.71	1.5	1.3	∞
Liquid Conductivity (Measured)	2.88	Normal	1	0.78	0.71	2.2	2.0	43
Liquid Permittivity (Temperature Uncertainty)	1.13	Rectangular	√3	0.23	0.26	0.2	0.2	∞
Liquid Permittivity (Measured)	2.50	Normal	1	0.23	0.26	0.6	0.7	54
Combined Standard Uncertainty						± 12.8 %	± 12.4 %	
Expanded Uncertainty (K=2)						± 25.6 %	± 24.8 %	

Body SAR Uncertainty Budget for Frequency Range of 3 GHz to 6 GHz

7. Information on the Testing Laboratories

We, Bureau Veritas Consumer Products Services (H.K.) Ltd., Taoyuan Branch, were founded in 1988 to provide our best service in EMC, Radio, Telecom and Safety consultation. Our laboratories are accredited and approved according to ISO/IEC 17025.

If you have any comments, please feel free to contact us at the following:

Taiwan HwaYa EMC/RF/Safety/Telecom Lab:

Add: No. 19, Hwa Ya 2nd Rd, Wen Hwa Vil., Kwei Shan Hsiang, Taoyuan Hsien 333, Taiwan, R.O.C.

Tel: 886-3-318-3232

Fax: 886-3-327-0892

Taiwan LinKo EMC/RF Lab:

Add: No. 47-2, 14th Ling, Chia Pau Vil., Linkou Dist., New Taipei City 244, Taiwan, R.O.C.

Tel: 886-2-2605-2180

Fax: 886-2-2605-1924

Taiwan HsinChu EMC/RF Lab:

Add: E-2, No.1, Li Hsin 1st Road, Hsinchu Science Park, Hsinchu City 30078, Taiwan, R.O.C.

Tel: 886-3-593-5343

Fax: 886-3-593-5342

Email: service.adt@tw.bureauveritas.com

Web Site: www.adt.com.tw

The road map of all our labs can be found in our web site also.

---END---



Appendix A. SAR Plots of System Verification

The plots for system verification with largest deviation for each SAR system combination are shown as follows.

System Check_H750_171121

DUT: Dipole 750 MHz; Type: D750V3; SN: 1013

Communication System: CW; Frequency: 750 MHz; Duty Cycle: 1:1

Medium: H06T09N1_1121 Medium parameters used: $f = 750 \text{ MHz}$; $\sigma = 0.895 \text{ S/m}$; $\epsilon_r = 41.325$; $\rho = 1000 \text{ kg/m}^3$

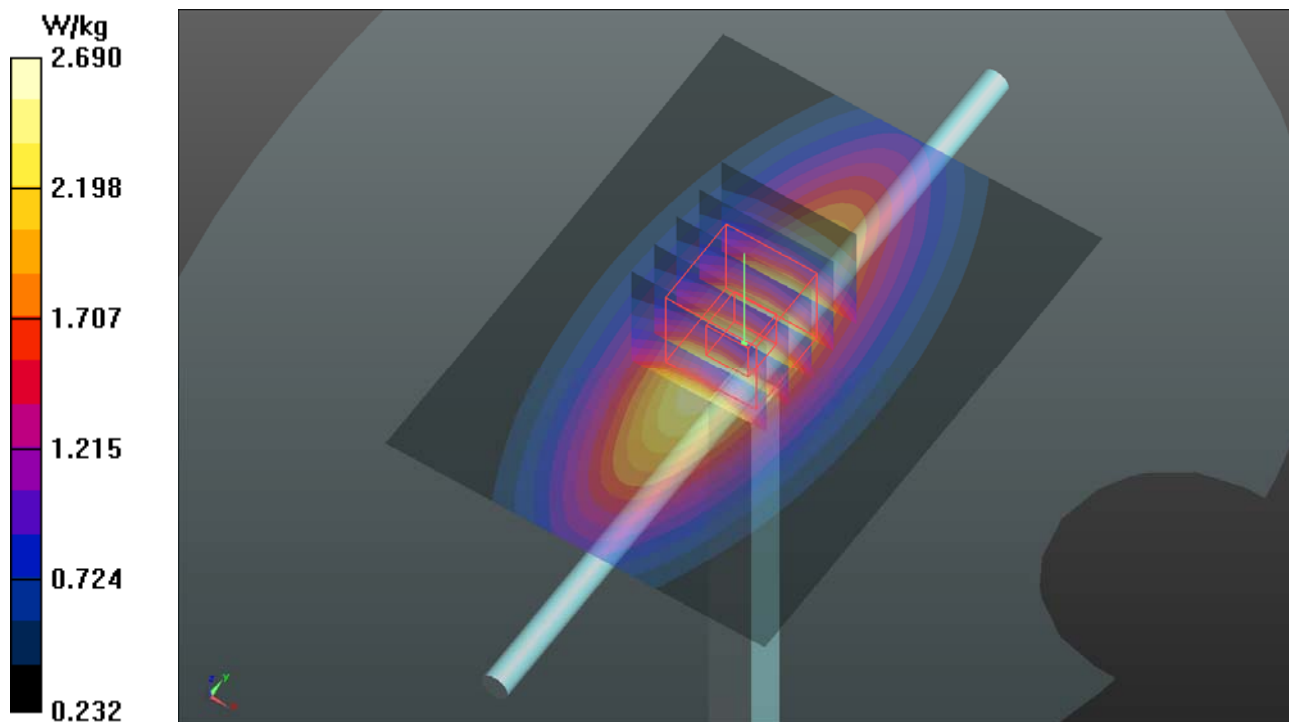
Ambient Temperature : 23.8 °C ; Liquid Temperature : 23.6 °C

DASY5 Configuration:

- Probe: EX3DV4 - SN7375; ConvF(9.9, 9.9, 9.9); Calibrated: 2016/12/08;
- Sensor-Surface: 1.4mm (Mechanical Surface Detection)
- Electronics: DAE3 Sn579; Calibrated: 2017/08/17
- Phantom: Twin SAM Phantom_1653; Type: QD000P40
- Measurement SW: DASY52, Version 52.8 (8); SEMCAD X Version 14.6.10 (7373)

Pin=250mW/Area Scan (61x81x1): Interpolated grid: $dx=1.500 \text{ mm}$, $dy=1.500 \text{ mm}$
Maximum value of SAR (interpolated) = 2.69 W/kg

Pin=250mW/Zoom Scan (5x5x7)/Cube 0: Measurement grid: $dx=8\text{mm}$, $dy=8\text{mm}$, $dz=5\text{mm}$
Reference Value = 56.77 V/m; Power Drift = -0.04 dB
Peak SAR (extrapolated) = 3.08 W/kg
SAR(1 g) = 1.98 W/kg; SAR(10 g) = 1.3 W/kg
Maximum value of SAR (measured) = 2.69 W/kg



ZZZSystem Check_H835_171121

DUT: Dipole 835 MHz; Type: D835V2; SN: 4d121

Communication System: CW; Frequency: 835 MHz; Duty Cycle: 1:1

Medium: H07T10N2_1121 Medium parameters used: $f = 835 \text{ MHz}$; $\sigma = 0.92 \text{ S/m}$; $\epsilon_r = 41.465$; $\rho = 1000 \text{ kg/m}^3$

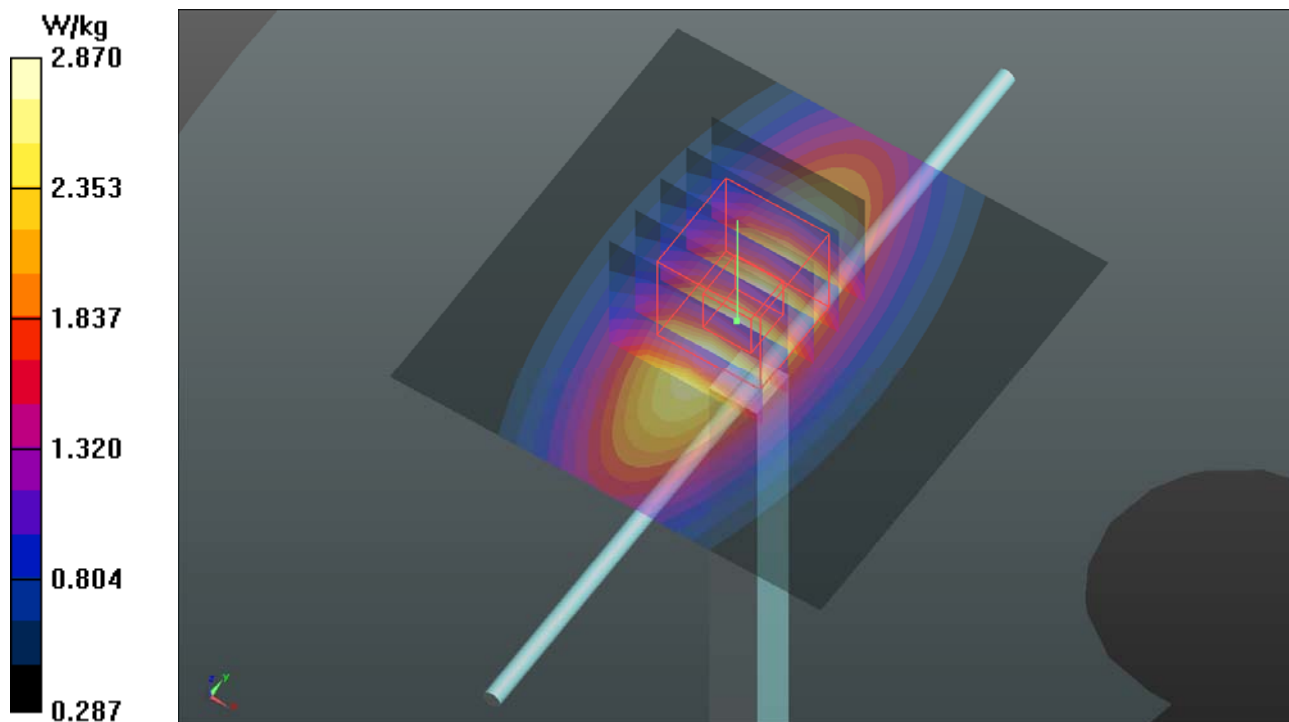
Ambient Temperature : 23.8 °C ; Liquid Temperature : 23.6 °C

DASY5 Configuration:

- Probe: EX3DV4 - SN7375; ConvF(9.73, 9.73, 9.73); Calibrated: 2016/12/08;
- Sensor-Surface: 1.4mm (Mechanical Surface Detection)
- Electronics: DAE3 Sn579; Calibrated: 2017/08/17
- Phantom: Twin SAM Phantom_1653; Type: QD000P40;
- Measurement SW: DASY52, Version 52.8 (8); SEMCAD X Version 14.6.10 (7373)

Pin=250mW/Area Scan (61x61x1): Interpolated grid: $dx=1.500 \text{ mm}$, $dy=1.500 \text{ mm}$
Maximum value of SAR (interpolated) = 2.85 W/kg

Pin=250mW/Zoom Scan (5x5x7)/Cube 0: Measurement grid: $dx=8\text{mm}$, $dy=8\text{mm}$, $dz=5\text{mm}$
Reference Value = 57.04 V/m; Power Drift = 0.01 dB
Peak SAR (extrapolated) = 3.33 W/kg
SAR(1 g) = 2.3 W/kg; SAR(10 g) = 1.54 W/kg
Maximum value of SAR (measured) = 2.87 W/kg



System Check_H835_171124

DUT: Dipole 835 MHz; Type: D835V2; SN: 4d121

Communication System: CW; Frequency: 835 MHz; Duty Cycle: 1:1

Medium: H07T10N2_1124 Medium parameters used: $f = 835 \text{ MHz}$; $\sigma = 0.938 \text{ S/m}$; $\epsilon_r = 42.585$; $\rho = 1000 \text{ kg/m}^3$

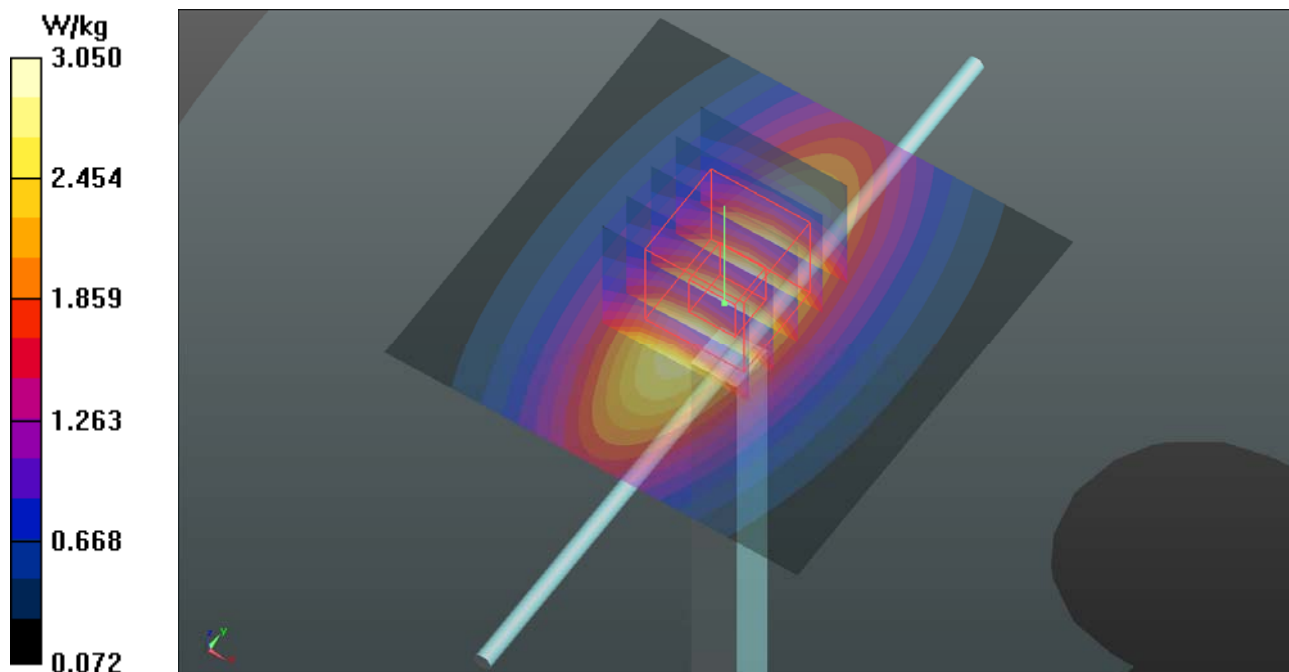
Ambient Temperature : 23.8 °C ; Liquid Temperature : 23.2 °C

DASY5 Configuration:

- Probe: EX3DV4 - SN3650; ConvF(9.37, 9.37, 9.37); Calibrated: 2013/04/30;
- Sensor-Surface: 1.4mm (Mechanical Surface Detection)
- Electronics: DAE4 Sn1277; Calibrated: 2017/07/20
- Phantom: Twin SAM Phantom_1822; Type: QD000P40;
- Measurement SW: DASY52, Version 52.8 (8); SEMCAD X Version 14.6.10 (7373)

Pin=250mW/Area Scan (61x61x1): Interpolated grid: $dx=1.500 \text{ mm}$, $dy=1.500 \text{ mm}$
Maximum value of SAR (interpolated) = 3.05 W/kg

Pin=250mW/Zoom Scan (5x5x7)/Cube 0: Measurement grid: $dx=8\text{mm}$, $dy=8\text{mm}$, $dz=5\text{mm}$
Reference Value = 55.02 V/m; Power Drift = 0.00 dB
Peak SAR (extrapolated) = 3.61 W/kg
SAR(1 g) = 2.41 W/kg; SAR(10 g) = 1.58 W/kg
Maximum value of SAR (measured) = 3.07 W/kg



System Check_H1750_171118

DUT: Dipole 1750 MHz; Type: D1750V2; SN: 1055

Communication System: CW; Frequency: 1750 MHz; Duty Cycle: 1:1

Medium: H16T20N1_1118 Medium parameters used: $f = 1750$ MHz; $\sigma = 1.335$ S/m; $\epsilon_r = 38.757$; $\rho = 1000$ kg/m³

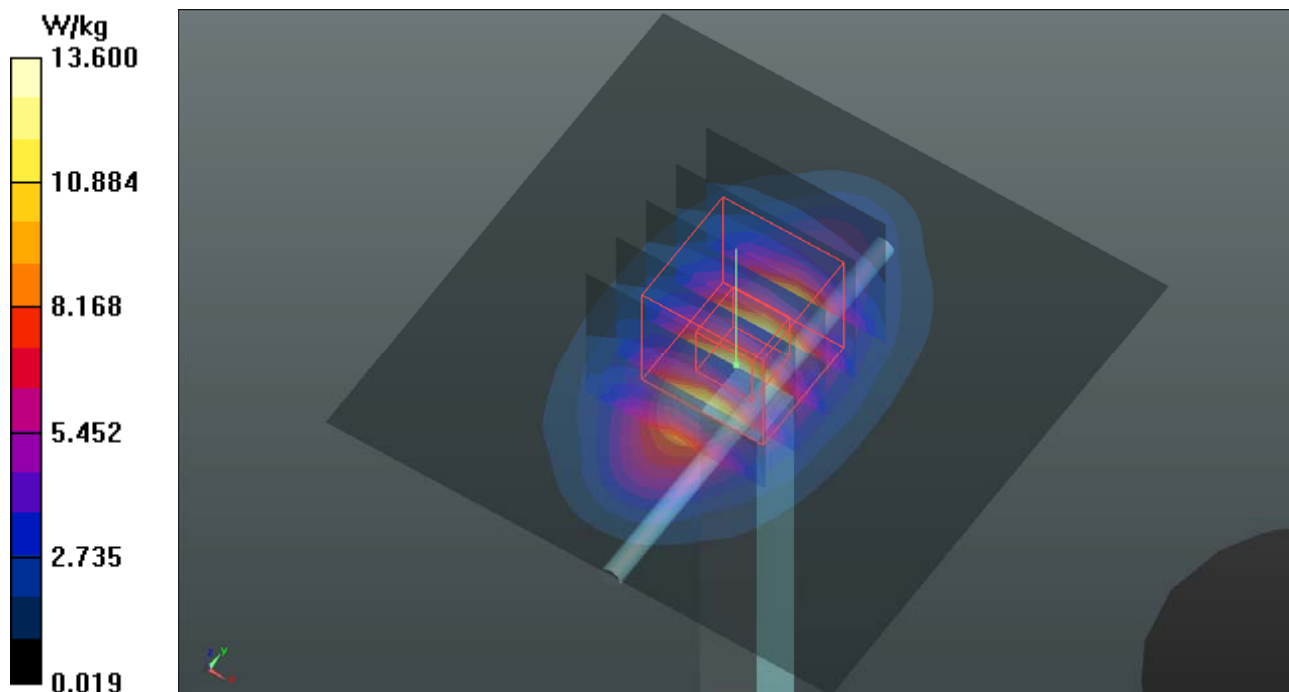
Ambient Temperature : 23.7 °C ; Liquid Temperature : 23.3 °C

DASY5 Configuration:

- Probe: EX3DV4 - SN3971; ConvF(8.92, 8.92, 8.92); Calibrated: 2017/03/24;
- Sensor-Surface: 1.4mm (Mechanical Surface Detection)
- Electronics: DAE4 Sn861; Calibrated: 2017/05/22
- Phantom: Twin SAM Phantom_1652; Type: QD000P40;
- Measurement SW: DASY52, Version 52.8 (8); SEMCAD X Version 14.6.10 (7373)

Pin=250mW/Area Scan (61x61x1): Interpolated grid: dx=1.500 mm, dy=1.500 mm
Maximum value of SAR (interpolated) = 13.6 W/kg

Pin=250mW/Zoom Scan (5x5x7)/Cube 0: Measurement grid: dx=8mm, dy=8mm, dz=5mm
Reference Value = 97.23 V/m; Power Drift = -0.02 dB
Peak SAR (extrapolated) = 16.0 W/kg
SAR(1 g) = 8.72 W/kg; SAR(10 g) = 4.65 W/kg
Maximum value of SAR (measured) = 13.5 W/kg



System Check_H1900_171118

DUT: Dipole 1900 MHz; Type: D1900V2; SN: 5d036

Communication System: CW; Frequency: 1900 MHz; Duty Cycle: 1:1

Medium: H16T20N1_1118 Medium parameters used: $f = 1900$ MHz; $\sigma = 1.46$ S/m; $\epsilon_r = 38.262$; $\rho = 1000$ kg/m³

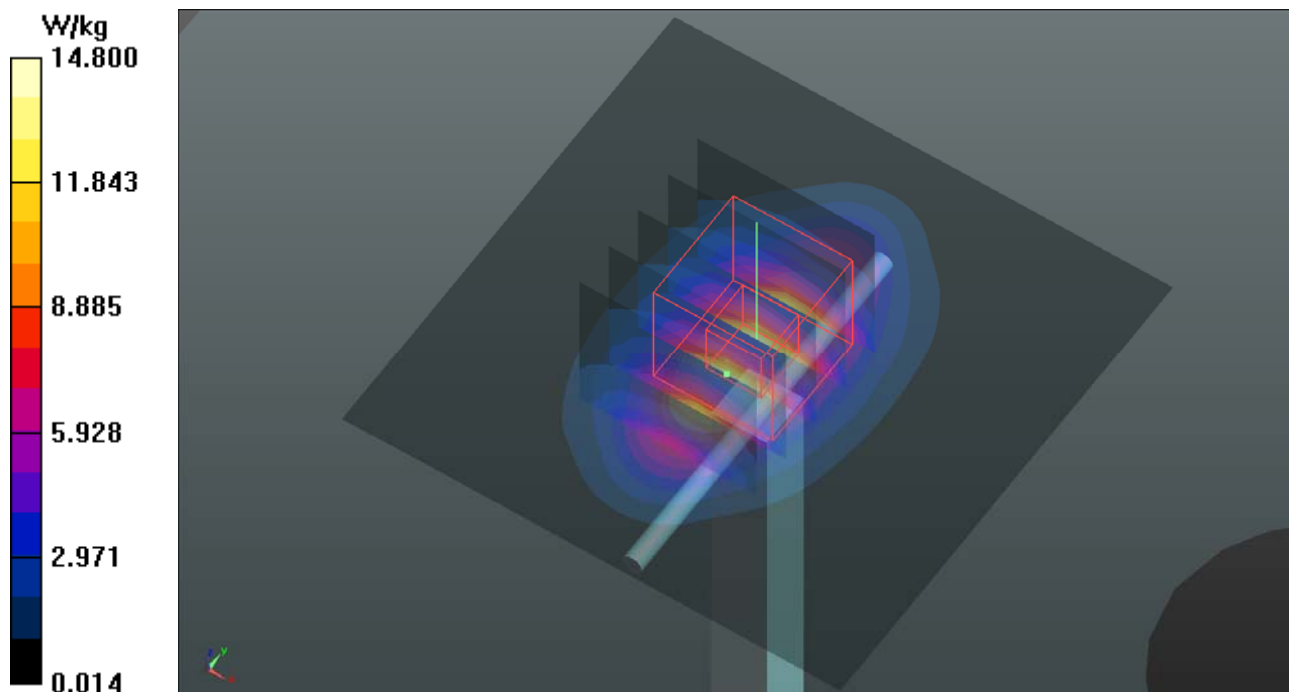
Ambient Temperature : 23.7 °C ; Liquid Temperature : 23.3 °C

DASY5 Configuration:

- Probe: EX3DV4 - SN3971; ConvF(8.59, 8.59, 8.59); Calibrated: 2017/03/24;
- Sensor-Surface: 1.4mm (Mechanical Surface Detection)
- Electronics: DAE4 Sn861; Calibrated: 2017/05/22
- Phantom: Twin SAM Phantom_1652; Type: QD000P40;
- Measurement SW: DASY52, Version 52.8 (8); SEMCAD X Version 14.6.10 (7373)

Pin=250mW/Area Scan (61x61x1): Interpolated grid: dx=1.500 mm, dy=1.500 mm
Maximum value of SAR (interpolated) = 14.8 W/kg

Pin=250mW/Zoom Scan (5x5x7)/Cube 0: Measurement grid: dx=8mm, dy=8mm, dz=5mm
Reference Value = 100.9 V/m; Power Drift = 0.00 dB
Peak SAR (extrapolated) = 18.4 W/kg
SAR(1 g) = 9.99 W/kg; SAR(10 g) = 5.17 W/kg
Maximum value of SAR (measured) = 14.3 W/kg



System Check_H2450_171122

DUT: Dipole 2450 MHz; Type: D2450V2; SN: 737

Communication System: CW; Frequency: 2450 MHz; Duty Cycle: 1:1

Medium: H19T27N1_1122 Medium parameters used: $f = 2450$ MHz; $\sigma = 1.841$ S/m; $\epsilon_r = 38.371$; $\rho = 1000$ kg/m³

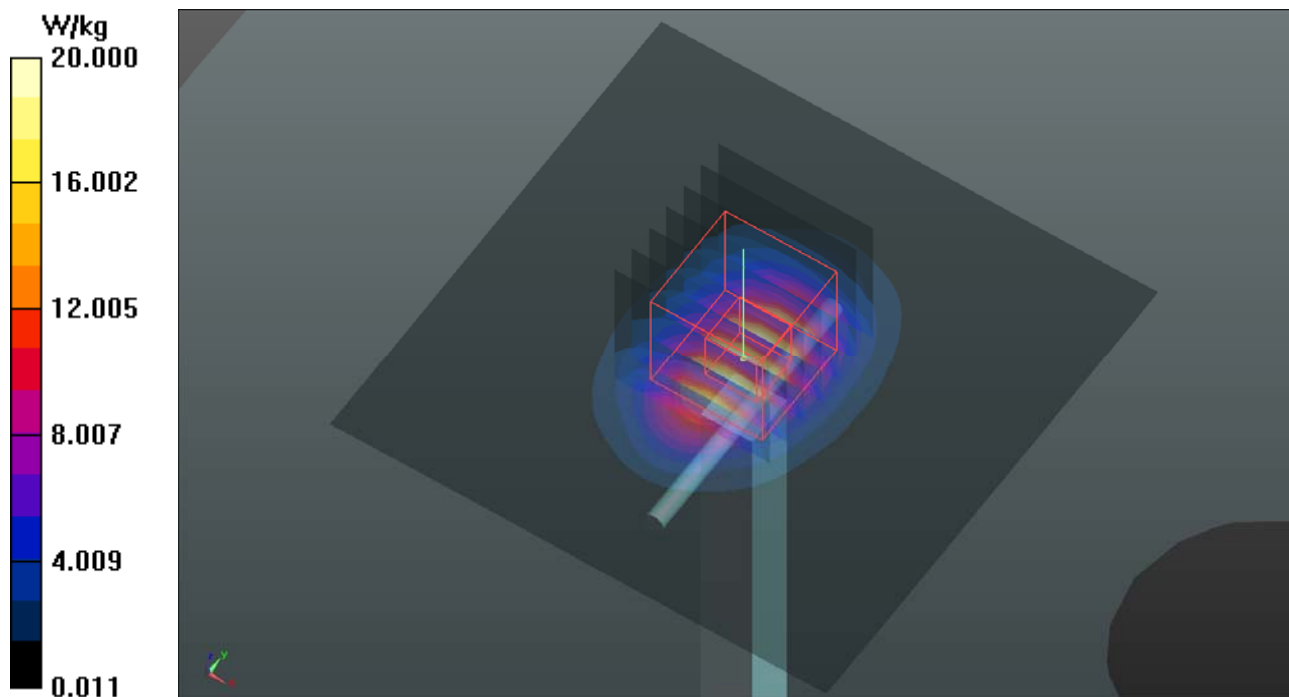
Ambient Temperature : 23.8 °C ; Liquid Temperature : 23.6 °C

DASY5 Configuration:

- Probe: EX3DV4 - SN7375; ConvF(7.27, 7.27, 7.27); Calibrated: 2016/12/08;
- Sensor-Surface: 1.4mm (Mechanical Surface Detection)
- Electronics: DAE3 Sn579; Calibrated: 2017/08/17
- Phantom: Twin SAM Phantom_1823; Type: QD000P40CD;
- Measurement SW: DASY52, Version 52.8 (8); SEMCAD X Version 14.6.10 (7373)

Pin=250mW/Area Scan (81x81x1): Interpolated grid: dx=1.200 mm, dy=1.200 mm
Maximum value of SAR (interpolated) = 20.0 W/kg

Pin=250mW/Zoom Scan (7x7x7)/Cube 0: Measurement grid: dx=5mm, dy=5mm, dz=5mm
Reference Value = 106.6 V/m; Power Drift = -0.03 dB
Peak SAR (extrapolated) = 26.5 W/kg
SAR(1 g) = 13 W/kg; SAR(10 g) = 6.04 W/kg
Maximum value of SAR (measured) = 19.7 W/kg



ZZSystem Check_H2450_171126

DUT: Dipole 2450 MHz; Type: D2450V2; SN: 737

Communication System: CW; Frequency: 2450 MHz; Duty Cycle: 1:1

Medium: H19T27N2_1126 Medium parameters used: $f = 2450$ MHz; $\sigma = 1.87$ S/m; $\epsilon_r = 37.942$; $\rho = 1000$ kg/m³

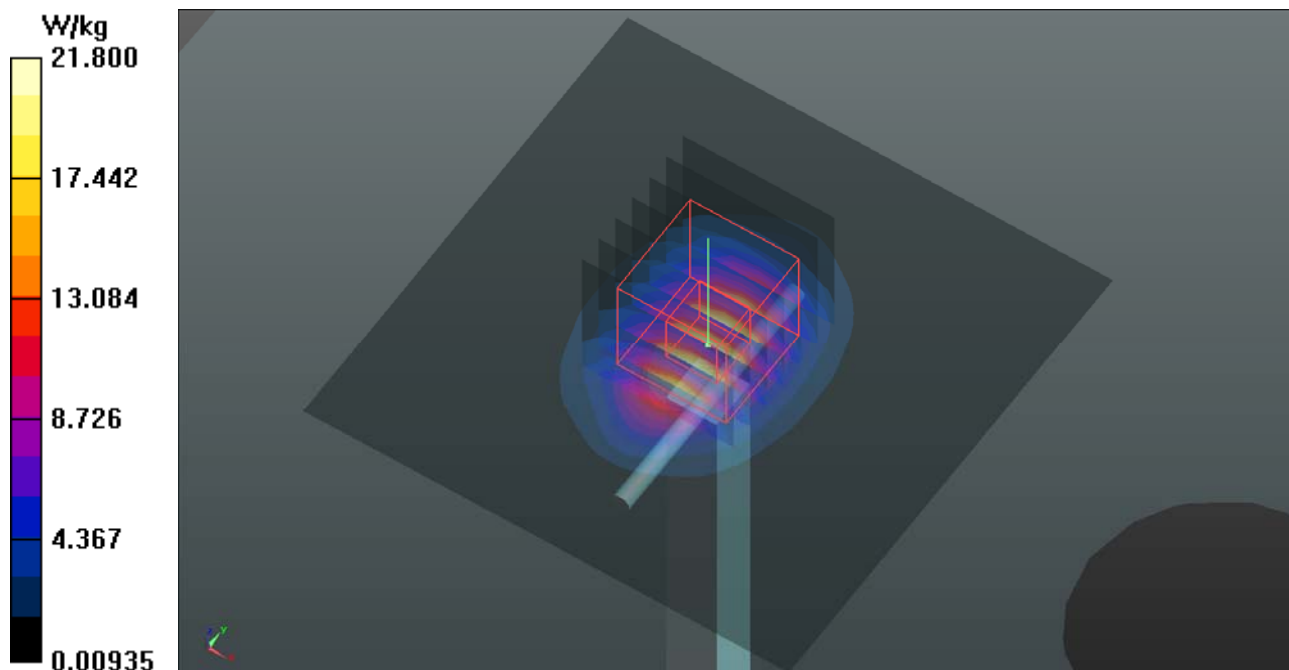
Ambient Temperature : 23.8 °C ; Liquid Temperature : 23.2 °C

DASY5 Configuration:

- Probe: EX3DV4 - SN3650; ConvF(7.58, 7.58, 7.58); Calibrated: 2017/07/24;
- Sensor-Surface: 1.4mm (Mechanical Surface Detection)
- Electronics: DAE4 Sn1277; Calibrated: 2017/07/20
- Phantom: Twin SAM Phantom_1822; Type: QD000P40;
- Measurement SW: DASY52, Version 52.8 (8); SEMCAD X Version 14.6.10 (7373)

Pin=250mW/Area Scan (81x81x1): Interpolated grid: dx=1.200 mm, dy=1.200 mm
Maximum value of SAR (interpolated) = 21.8 W/kg

Pin=250mW/Zoom Scan (7x7x7)/Cube 0: Measurement grid: dx=5mm, dy=5mm, dz=5mm
Reference Value = 105.9 V/m; Power Drift = 0.01 dB
Peak SAR (extrapolated) = 26.8 W/kg
SAR(1 g) = 12.8 W/kg; SAR(10 g) = 5.87 W/kg
Maximum value of SAR (measured) = 21.8 W/kg



System Check_H2600_171121

DUT: Dipole 2600 MHz; Type: D2600V2; SN: 1020

Communication System: CW; Frequency: 2600 MHz; Duty Cycle: 1:1

Medium: H19T27N1_1121 Medium parameters used: $f = 2600$ MHz; $\sigma = 2.011$ S/m; $\epsilon_r = 38.179$; $\rho = 1000$ kg/m³

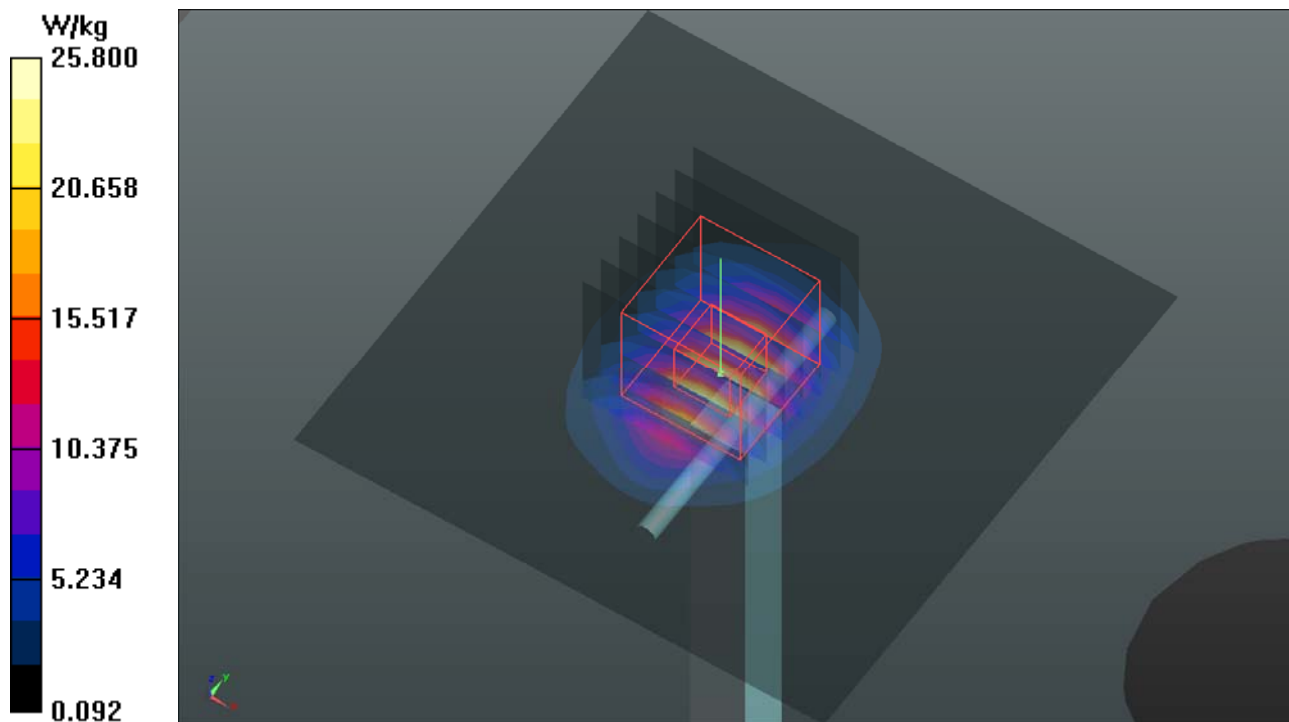
Ambient Temperature : 23.8 °C ; Liquid Temperature : 23.6 °C

DASY5 Configuration:

- Probe: EX3DV4 - SN7375; ConvF(7.25, 7.25, 7.25); Calibrated: 2016/12/08;
- Sensor-Surface: 1.4mm (Mechanical Surface Detection)
- Electronics: DAE3 Sn579; Calibrated: 2017/08/17
- Phantom: Twin SAM Phantom_1653; Type: QD000P40
- Measurement SW: DASY52, Version 52.8 (8); SEMCAD X Version 14.6.10 (7373)

Pin=250mW/Area Scan (81x81x1): Interpolated grid: dx=1.200 mm, dy=1.200 mm
Maximum value of SAR (interpolated) = 25.9 W/kg

Pin=250mW/Zoom Scan (7x7x7)/Cube 0: Measurement grid: dx=5mm, dy=5mm, dz=5mm
Reference Value = 107.8 V/m; Power Drift = 0.01 dB
Peak SAR (extrapolated) = 33.0 W/kg
SAR(1 g) = 14.6 W/kg; SAR(10 g) = 6.42 W/kg
Maximum value of SAR (measured) = 25.8 W/kg



System Check_H5250_171126

DUT: Dipole 5 GHz; Type: D5GHzV2; SN: 1019

Communication System: CW; Frequency: 5250 MHz; Duty Cycle: 1:1

Medium: H34T60N2_1126 Medium parameters used: $f = 5250$ MHz; $\sigma = 4.846$ S/m; $\epsilon_r = 35.694$; $\rho = 1000$ kg/m³

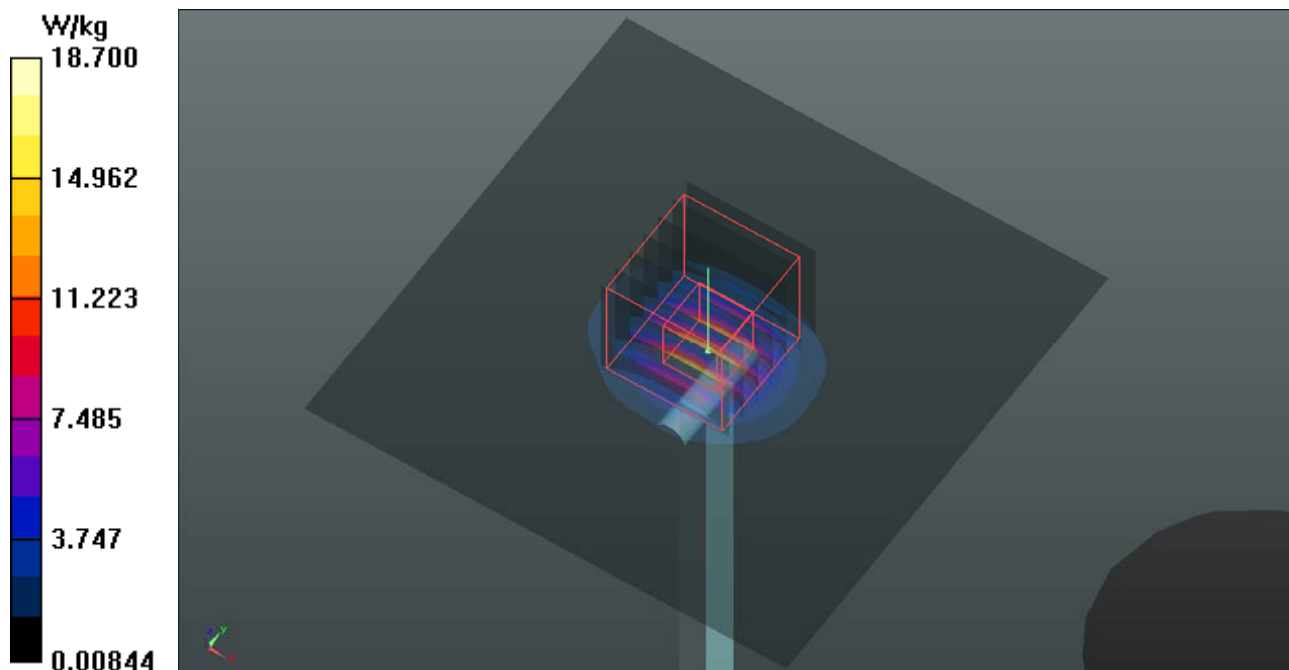
Ambient Temperature : 23.8 °C ; Liquid Temperature : 23.2 °C

DASY5 Configuration:

- Probe: EX3DV4 - SN3650; ConvF(5.6, 5.6, 5.6); Calibrated: 2017/07/24;
- Sensor-Surface: 1.4mm (Mechanical Surface Detection)
- Electronics: DAE4 Sn1277; Calibrated: 2017/07/20
- Phantom: Twin SAM Phantom_1822; Type: QD000P40;
- Measurement SW: DASY52, Version 52.8 (8); SEMCAD X Version 14.6.10 (7373)

Pin=100mW/Area Scan (91x91x1): Interpolated grid: dx=1.000 mm, dy=1.000 mm
Maximum value of SAR (interpolated) = 18.7 W/kg

Pin=100mW/Zoom Scan (7x7x12)/Cube 0: Measurement grid: dx=4mm, dy=4mm, dz=2mm
Reference Value = 61.01 V/m; Power Drift = -0.03 dB
Peak SAR (extrapolated) = 33.3 W/kg
SAR(1 g) = 7.93 W/kg; SAR(10 g) = 2.29 W/kg
Maximum value of SAR (measured) = 20.3 W/kg



System Check_H5600_171126

DUT: Dipole 5 GHz; Type: D5GHzV2; SN: 1019

Communication System: CW; Frequency: 5600 MHz; Duty Cycle: 1:1

Medium: H34T60N2_1126 Medium parameters used: $f = 5600$ MHz; $\sigma = 5.17$ S/m; $\epsilon_r = 35.172$; $\rho = 1000$ kg/m³

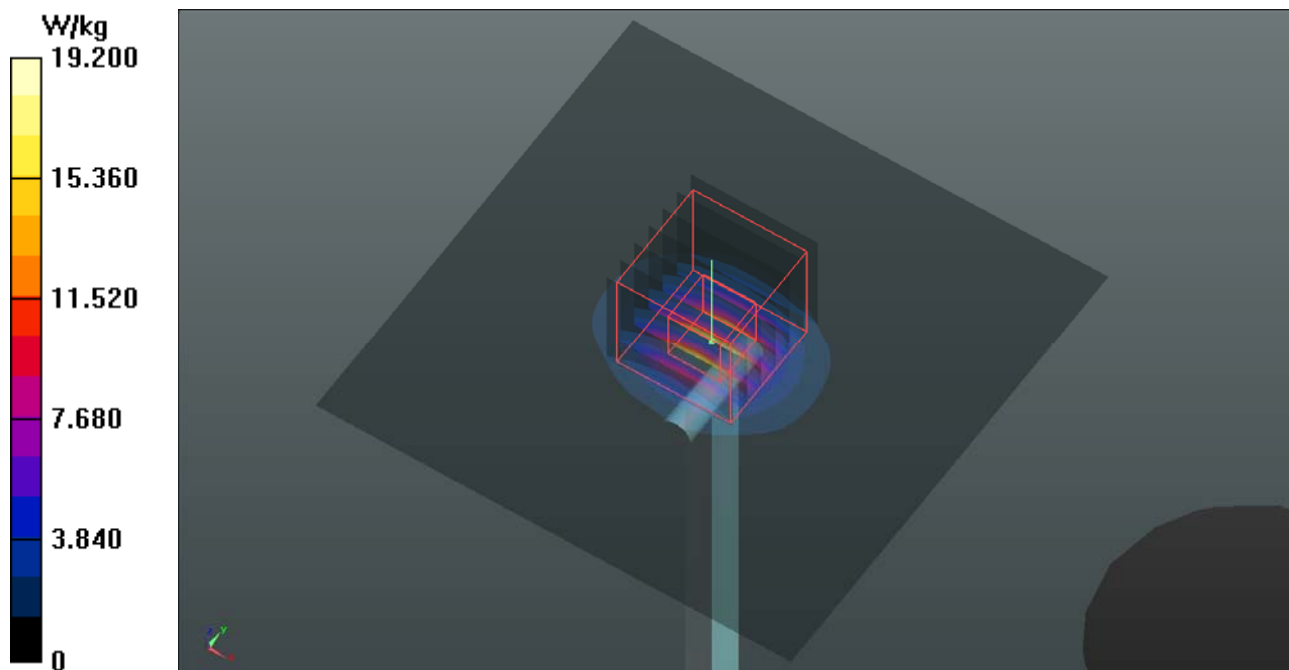
Ambient Temperature : 23.7 °C ; Liquid Temperature : 23.2 °C

DASY5 Configuration:

- Probe: EX3DV4 - SN3650; ConvF(4.9, 4.9, 4.9); Calibrated: 2017/07/24;
- Sensor-Surface: 1.4mm (Mechanical Surface Detection)
- Electronics: DAE4 Sn1277; Calibrated: 2017/07/20
- Phantom: Twin SAM Phantom_1822; Type: QD000P40;
- Measurement SW: DASY52, Version 52.8 (8); SEMCAD X Version 14.6.10 (7373)

Pin=100mW/Area Scan (91x91x1): Interpolated grid: dx=1.000 mm, dy=1.000 mm
Maximum value of SAR (interpolated) = 19.2 W/kg

Pin=100mW/Zoom Scan (7x7x12)/Cube 0: Measurement grid: dx=4mm, dy=4mm, dz=2mm
Reference Value = 71.68 V/m; Power Drift = -0.13 dB
Peak SAR (extrapolated) = 31.7 W/kg
SAR(1 g) = 7.98 W/kg; SAR(10 g) = 2.29 W/kg
Maximum value of SAR (measured) = 20.3 W/kg



System Check_H5800_171126

DUT: Dipole 5 GHz; Type: D5GHzV2; SN: 1019

Communication System: CW; Frequency: 5800 MHz; Duty Cycle: 1:1

Medium: H34T60N2_1126 Medium parameters used: $f = 5800$ MHz; $\sigma = 5.367$ S/m; $\epsilon_r = 34.872$; $\rho = 1000$ kg/m³

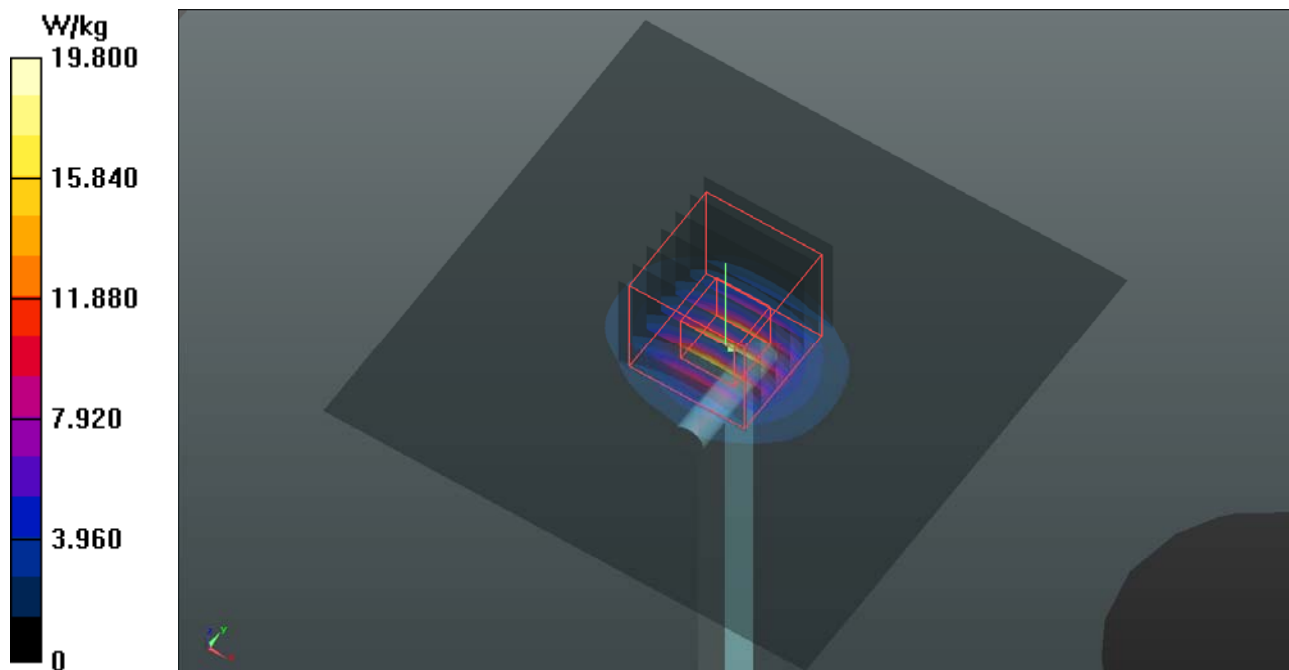
Ambient Temperature : 23.9 °C ; Liquid Temperature : 23.3 °C

DASY5 Configuration:

- Probe: EX3DV4 - SN3650; ConvF(4.94, 4.94, 4.94); Calibrated: 2017/07/24;
- Sensor-Surface: 1.4mm (Mechanical Surface Detection)
- Electronics: DAE4 Sn1277; Calibrated: 2017/07/20
- Phantom: Twin SAM Phantom_1822; Type: QD000P40;
- Measurement SW: DASY52, Version 52.8 (8); SEMCAD X Version 14.6.10 (7373)

Pin=100mW/Area Scan (91x91x1): Interpolated grid: dx=1.000 mm, dy=1.000 mm
Maximum value of SAR (interpolated) = 19.8 W/kg

Pin=100mW/Zoom Scan (7x7x12)/Cube 0: Measurement grid: dx=4mm, dy=4mm, dz=2mm
Reference Value = 71.60 V/m; Power Drift = -0.11 dB
Peak SAR (extrapolated) = 34.0 W/kg
SAR(1 g) = 8.32 W/kg; SAR(10 g) = 2.39 W/kg
Maximum value of SAR (measured) = 21.2 W/kg



System Check_B750_171120

DUT: Dipole 750 MHz; Type: D750V3; SN: 1013

Communication System: CW; Frequency: 750 MHz; Duty Cycle: 1:1

Medium: B06T09N1_1120 Medium parameters used: $f = 750 \text{ MHz}$; $\sigma = 0.958 \text{ S/m}$; $\epsilon_r = 53.08$; $\rho = 1000 \text{ kg/m}^3$

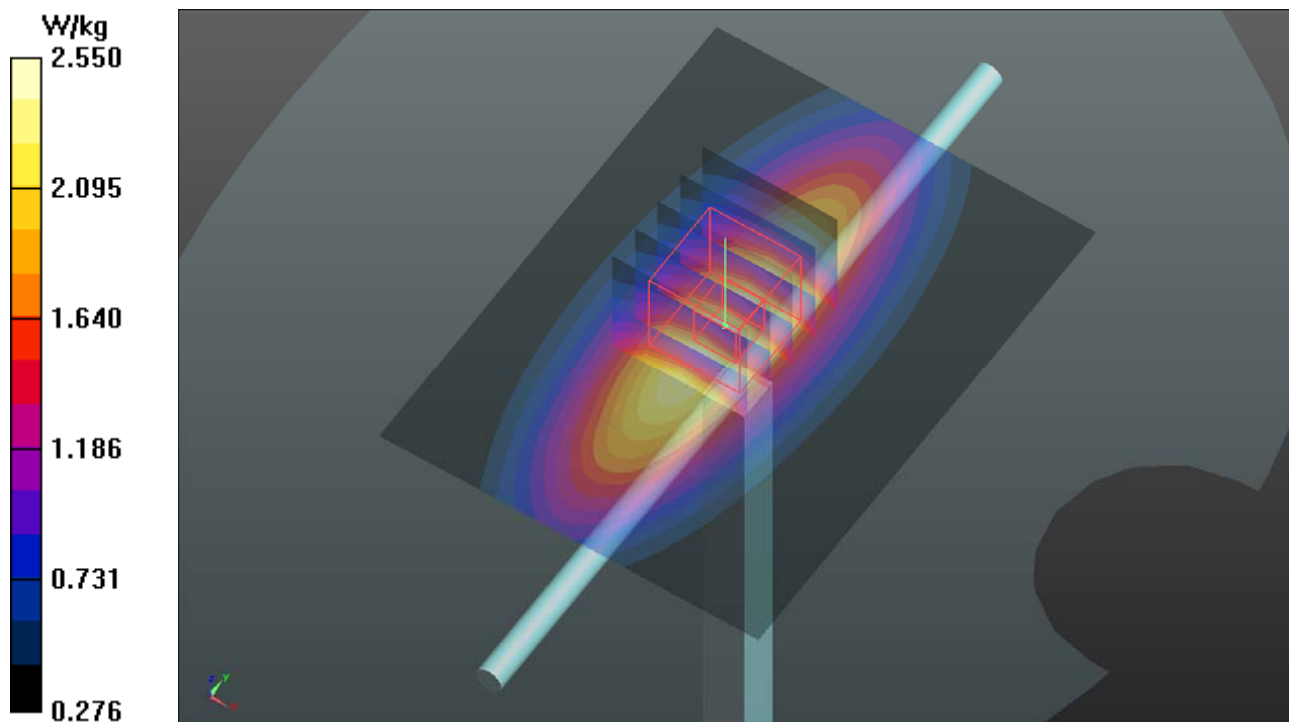
Ambient Temperature : 23.8 °C ; Liquid Temperature : 23.6 °C

DASY5 Configuration:

- Probe: EX3DV4 - SN7375; ConvF(9.94, 9.94, 9.94); Calibrated: 2016/12/08;
- Sensor-Surface: 1.4mm (Mechanical Surface Detection)
- Electronics: DAE3 Sn579; Calibrated: 2017/08/17
- Phantom: Twin SAM Phantom_1652; Type: QD000P40
- Measurement SW: DASY52, Version 52.8 (8); SEMCAD X Version 14.6.10 (7373)

Pin=250mW/Area Scan (61x81x1): Interpolated grid: $dx=1.500 \text{ mm}$, $dy=1.500 \text{ mm}$
Maximum value of SAR (interpolated) = 2.55 W/kg

Pin=250mW/Zoom Scan (5x5x7)/Cube 0: Measurement grid: $dx=8\text{mm}$, $dy=8\text{mm}$, $dz=5\text{mm}$
Reference Value = 52.47 V/m; Power Drift = 0.03 dB
Peak SAR (extrapolated) = 2.94 W/kg
SAR(1 g) = 2.05 W/kg; SAR(10 g) = 1.38 W/kg
Maximum value of SAR (measured) = 2.55 W/kg



System Check_B835_171118

DUT: Dipole 835 MHz; Type: D835V2; SN: 4d121

Communication System: CW; Frequency: 835 MHz; Duty Cycle: 1:1

Medium: B07T10N1_1118 Medium parameters used: $f = 835 \text{ MHz}$; $\sigma = 1.017 \text{ S/m}$; $\epsilon_r = 57.276$; $\rho = 1000 \text{ kg/m}^3$

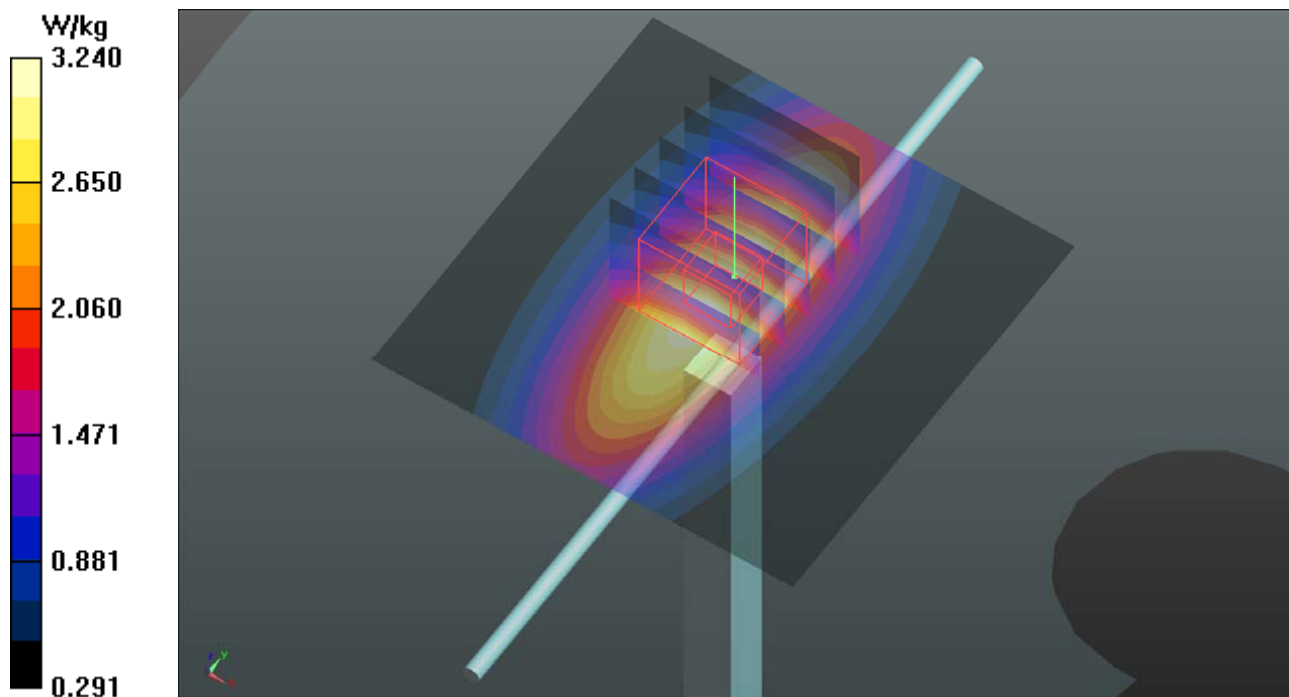
Ambient Temperature : 23.7 °C ; Liquid Temperature : 23.3 °C

DASY5 Configuration:

- Probe: EX3DV4 - SN7375; ConvF(9.94, 9.94, 9.94); Calibrated: 2016/12/08;
- Sensor-Surface: 1.4mm (Mechanical Surface Detection)
- Electronics: DAE3 Sn579; Calibrated: 2017/08/17
- Phantom: Twin SAM Phantom_1823; Type: QD000P40CD;
- Measurement SW: DASY52, Version 52.8 (8); SEMCAD X Version 14.6.10 (7373)

Pin=250mW/Area Scan (61x61x1): Interpolated grid: $dx=1.500 \text{ mm}$, $dy=1.500 \text{ mm}$
Maximum value of SAR (interpolated) = 3.25 W/kg

Pin=250mW/Zoom Scan (5x5x7)/Cube 0: Measurement grid: $dx=8\text{mm}$, $dy=8\text{mm}$, $dz=5\text{mm}$
Reference Value = 54.37 V/m; Power Drift = 0.01 dB
Peak SAR (extrapolated) = 3.80 W/kg
SAR(1 g) = 2.58 W/kg; SAR(10 g) = 1.68 W/kg
Maximum value of SAR (measured) = 3.24 W/kg



System Check_B1750_171118

DUT: Dipole 1750 MHz; Type: D1750V2; SN: 1055

Communication System: CW; Frequency: 1750 MHz; Duty Cycle: 1:1

Medium: B16T20N1_1118 Medium parameters used: $f = 1750$ MHz; $\sigma = 1.433$ S/m; $\epsilon_r = 52.023$; $\rho = 1000$ kg/m³

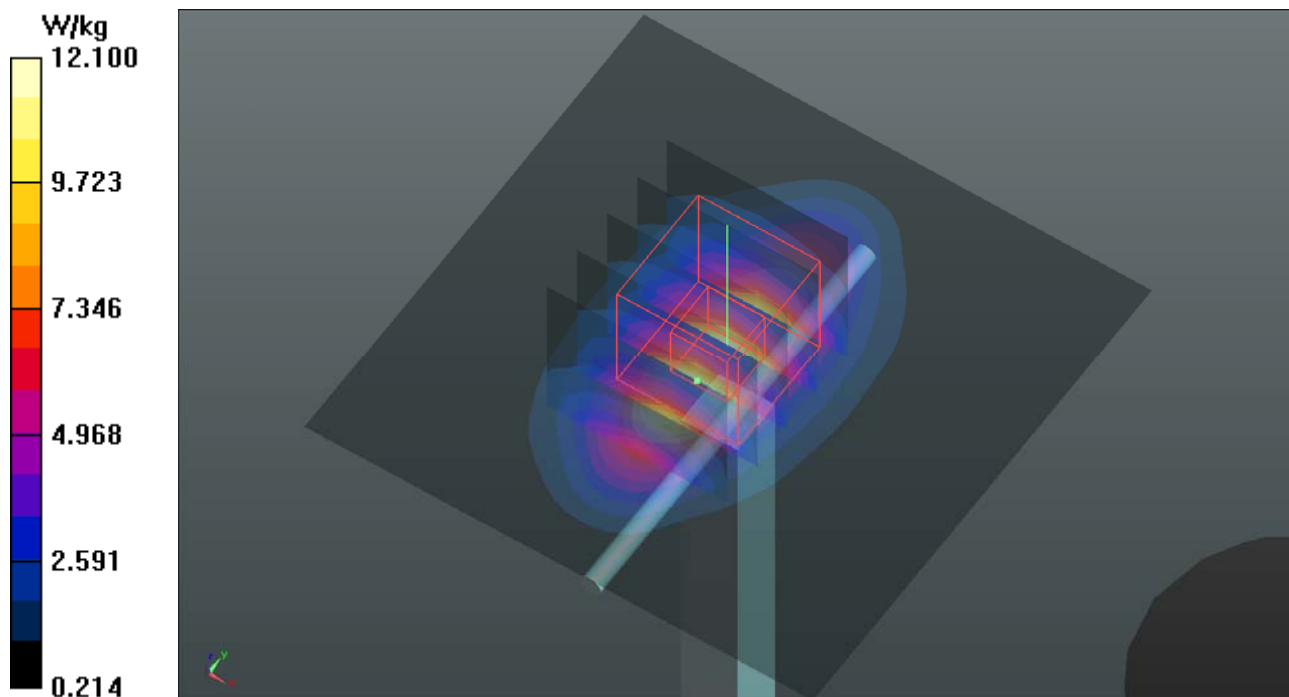
Ambient Temperature : 23.8 °C ; Liquid Temperature : 23.5 °C

DASY5 Configuration:

- Probe: EX3DV4 - SN7375; ConvF(8.22, 8.22, 8.22); Calibrated: 2016/12/08;
- Sensor-Surface: 1.4mm (Mechanical Surface Detection)
- Electronics: DAE3 Sn579; Calibrated: 2017/08/17
- Phantom: Twin SAM Phantom_1823; Type: QD000P40CD;
- Measurement SW: DASY52, Version 52.8 (8); SEMCAD X Version 14.6.10 (7373)

Pin=250mW/Area Scan (61x61x1): Interpolated grid: dx=1.500 mm, dy=1.500 mm
Maximum value of SAR (interpolated) = 12.5 W/kg

Pin=250mW/Zoom Scan (5x5x7)/Cube 0: Measurement grid: dx=8mm, dy=8mm, dz=5mm
Reference Value = 93.12 V/m; Power Drift = 0.02 dB
Peak SAR (extrapolated) = 14.9 W/kg
SAR(1 g) = 8.64 W/kg; SAR(10 g) = 4.68 W/kg
Maximum value of SAR (measured) = 12.1 W/kg



ZZZSystem Check_B1750_171124

DUT: Dipole 1750 MHz; Type: D1750V2; SN: 1055

Communication System: CW; Frequency: 1750 MHz; Duty Cycle: 1:1

Medium: B16T20N1_1124 Medium parameters used: $f = 1750$ MHz; $\sigma = 1.441$ S/m; $\epsilon_r = 51.719$; $\rho = 1000$ kg/m³

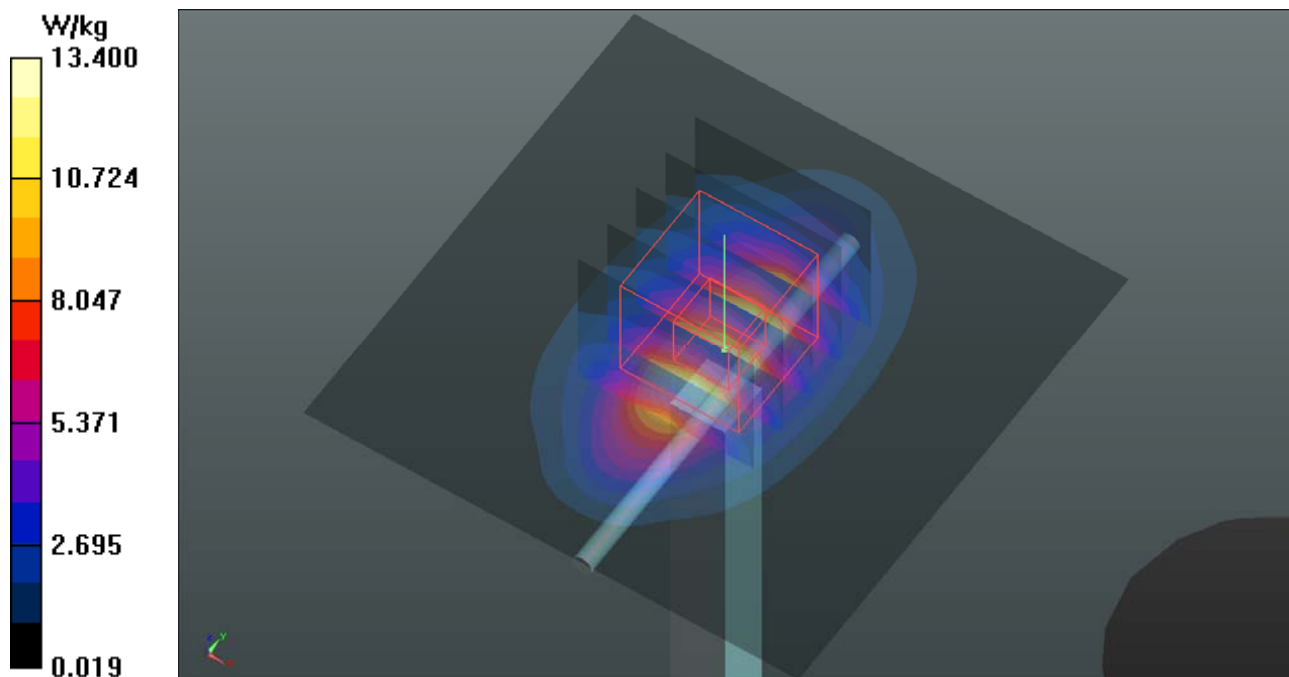
Ambient Temperature : 23.6 °C ; Liquid Temperature : 23.3 °C

DASY5 Configuration:

- Probe: EX3DV4 - SN3650; ConvF(8.27, 8.27, 8.27); Calibrated: 2017/07/24;
- Sensor-Surface: 1.4mm (Mechanical Surface Detection)
- Electronics: DAE4 Sn1277; Calibrated: 2015/07/22
- Phantom: Twin SAM Phantom_1822; Type: QD000P40;
- Measurement SW: DASY52, Version 52.8 (8); SEMCAD X Version 14.6.10 (7373)

Pin=250mW/Area Scan (61x61x1): Interpolated grid: dx=1.500 mm, dy=1.500 mm
Maximum value of SAR (interpolated) = 13.4 W/kg

Pin=250mW/Zoom Scan (5x5x7)/Cube 0: Measurement grid: dx=8mm, dy=8mm, dz=5mm
Reference Value = 99.75 V/m; Power Drift = -0.09 dB
Peak SAR (extrapolated) = 15.6 W/kg
SAR(1 g) = 8.77 W/kg; SAR(10 g) = 4.67 W/kg
Maximum value of SAR (measured) = 13.3 W/kg



System Check_B1900_171118

DUT: Dipole 1900 MHz; Type: D1900V2; SN: 5d036

Communication System: CW; Frequency: 1900 MHz; Duty Cycle: 1:1

Medium: B16T20N1_1118 Medium parameters used: $f = 1900$ MHz; $\sigma = 1.583$ S/m; $\epsilon_r = 51.6$; $\rho = 1000$ kg/m³

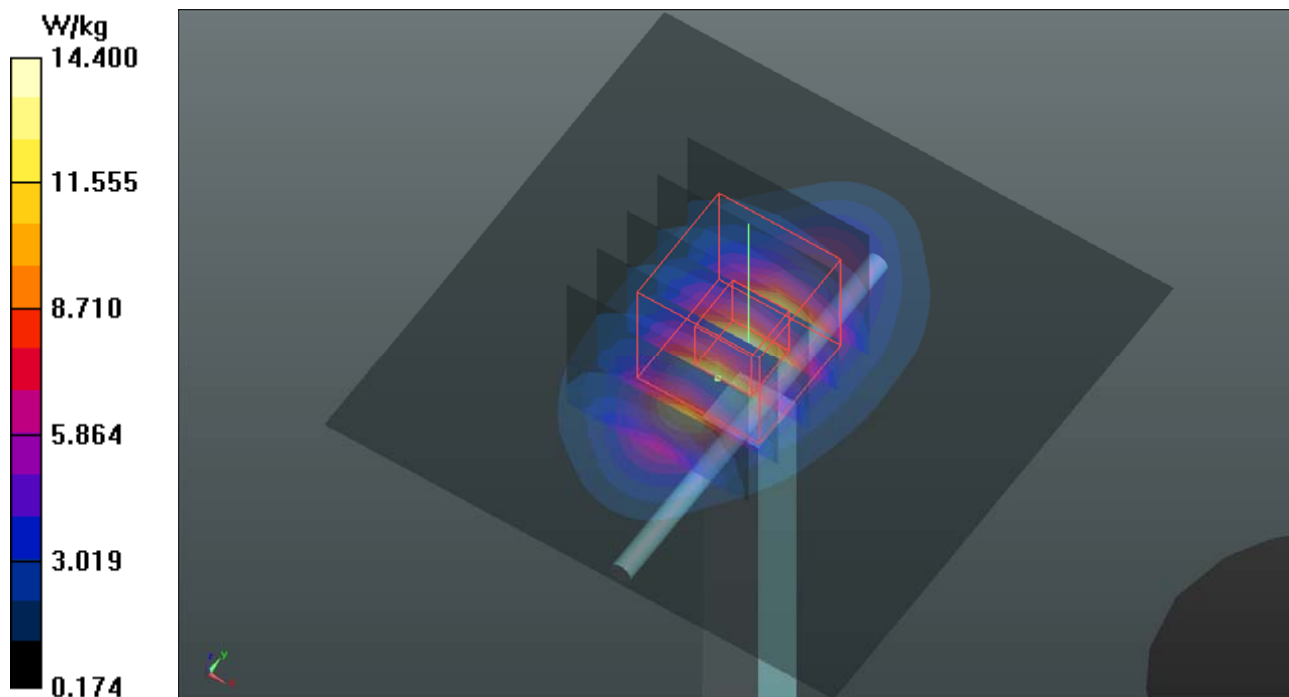
Ambient Temperature : 23.7 °C ; Liquid Temperature : 23.3 °C

DASY5 Configuration:

- Probe: EX3DV4 - SN7375; ConvF(7.62, 7.62, 7.62); Calibrated: 2016/12/08;
- Sensor-Surface: 1.4mm (Mechanical Surface Detection)
- Electronics: DAE3 Sn579; Calibrated: 2017/08/17
- Phantom: Twin SAM Phantom_1823; Type: QD000P40CD;
- Measurement SW: DASY52, Version 52.8 (8); SEMCAD X Version 14.6.10 (7373)

Pin=250mW/Area Scan (61x61x1): Interpolated grid: dx=1.500 mm, dy=1.500 mm
Maximum value of SAR (interpolated) = 14.6 W/kg

Pin=250mW/Zoom Scan (5x5x7)/Cube 0: Measurement grid: dx=8mm, dy=8mm, dz=5mm
Reference Value = 96.69 V/m; Power Drift = 0.00 dB
Peak SAR (extrapolated) = 18.0 W/kg
SAR(1 g) = 10.1 W/kg; SAR(10 g) = 5.28 W/kg
Maximum value of SAR (measured) = 14.4 W/kg



System Check_B2450_171122

DUT: Dipole 2450 MHz; Type: D2450V2; SN: 737

Communication System: CW; Frequency: 2450 MHz; Duty Cycle: 1:1

Medium: B19T27N4_1122 Medium parameters used: $f = 2450$ MHz; $\sigma = 2.018$ S/m; $\epsilon_r = 50.913$; $\rho = 1000$ kg/m³

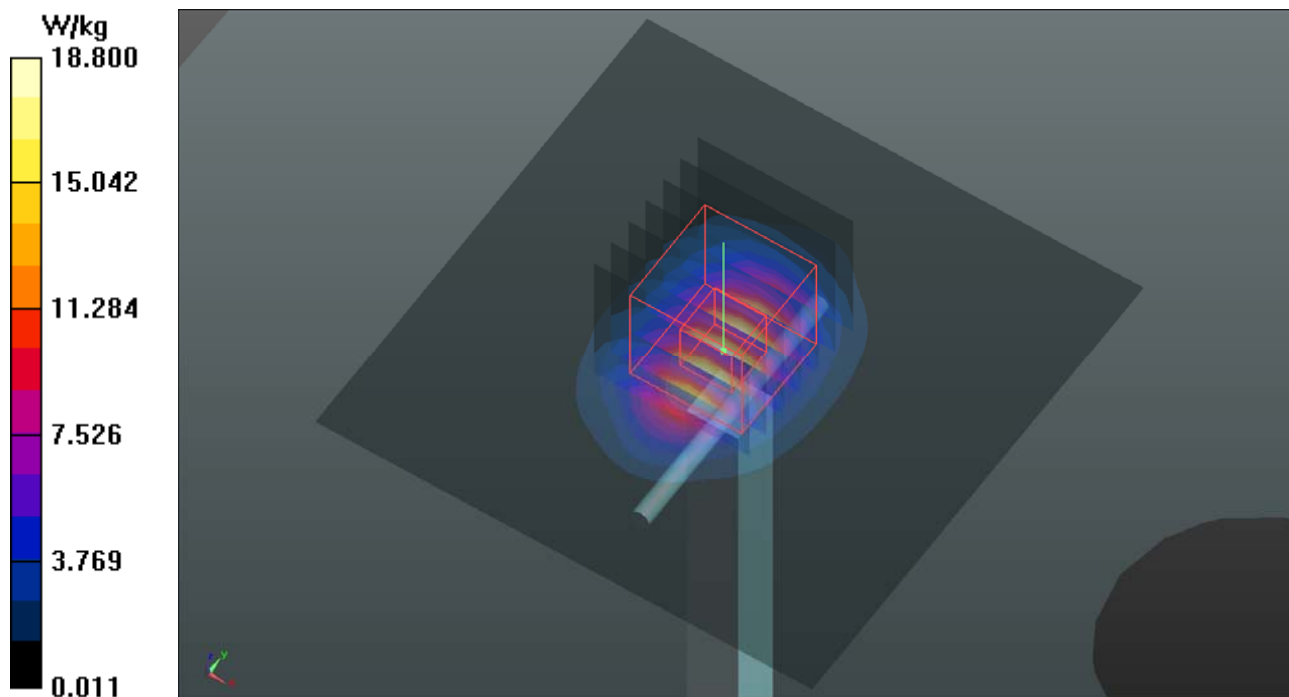
Ambient Temperature : 23.8 °C ; Liquid Temperature : 23.6 °C

DASY5 Configuration:

- Probe: EX3DV4 - SN7375; ConvF(7.33, 7.33, 7.33); Calibrated: 2016/12/08;
- Sensor-Surface: 1.4mm (Mechanical Surface Detection)
- Electronics: DAE3 Sn579; Calibrated: 2017/08/17
- Phantom: Twin SAM Phantom_1823; Type: QD000P40CD;
- Measurement SW: DASY52, Version 52.8 (8); SEMCAD X Version 14.6.10 (7373)

Pin=250mW/Area Scan (81x81x1): Interpolated grid: dx=1.200 mm, dy=1.200 mm
Maximum value of SAR (interpolated) = 18.8 W/kg

Pin=250mW/Zoom Scan (7x7x7)/Cube 0: Measurement grid: dx=5mm, dy=5mm, dz=5mm
Reference Value = 97.05 V/m; Power Drift = 0.02 dB
Peak SAR (extrapolated) = 25.0 W/kg
SAR(1 g) = 12.3 W/kg; SAR(10 g) = 5.76 W/kg
Maximum value of SAR (measured) = 18.7 W/kg



ZZZZSystem Check_B2450_171128

DUT: Dipole 2450 MHz; Type: D2450V2; SN: 737

Communication System: CW; Frequency: 2450 MHz; Duty Cycle: 1:1

Medium: B19T27N2_1128 Medium parameters used: $f = 2450$ MHz; $\sigma = 2.02$ S/m; $\epsilon_r = 50.562$; $\rho = 1000$ kg/m³

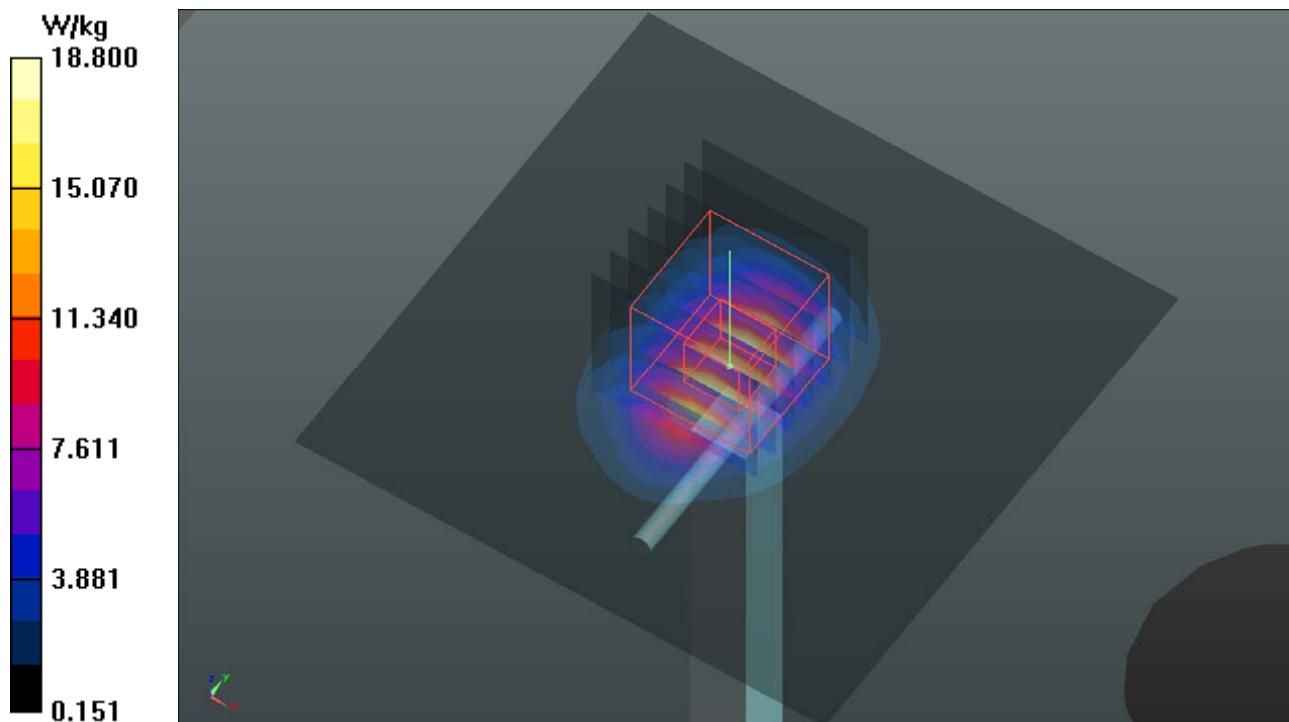
Ambient Temperature : 23.5 °C ; Liquid Temperature : 23.4 °C

DASY5 Configuration:

- Probe: EX3DV4 - SN7375; ConvF(7.33, 7.33, 7.33); Calibrated: 2016/12/08;
- Sensor-Surface: 1.4mm (Mechanical Surface Detection)
- Electronics: DAE3 Sn579; Calibrated: 2017/08/17
- Phantom: Twin SAM Phantom_1823; Type: QD000P40CD;
- Measurement SW: DASY52, Version 52.8 (8); SEMCAD X Version 14.6.10 (7373)

Pin=250mW/Area Scan (81x81x1): Interpolated grid: dx=1.200 mm, dy=1.200 mm
Maximum value of SAR (interpolated) = 18.8 W/kg

Pin=250mW/Zoom Scan (7x7x7)/Cube 0: Measurement grid: dx=5mm, dy=5mm, dz=5mm
Reference Value = 97.05 V/m; Power Drift = 0.02 dB
Peak SAR (extrapolated) = 25.0 W/kg
SAR(1 g) = 12.4 W/kg; SAR(10 g) = 5.76 W/kg
Maximum value of SAR (measured) = 18.8 W/kg



System Check_B2600_171118

DUT: Dipole 2600 MHz; Type: D2600V2; SN: 1020

Communication System: CW; Frequency: 2600 MHz; Duty Cycle: 1:1

Medium: B19T27N5_1118 Medium parameters used: $f = 2600$ MHz; $\sigma = 2.168$ S/m; $\epsilon_r = 50.864$; $\rho = 1000$ kg/m³

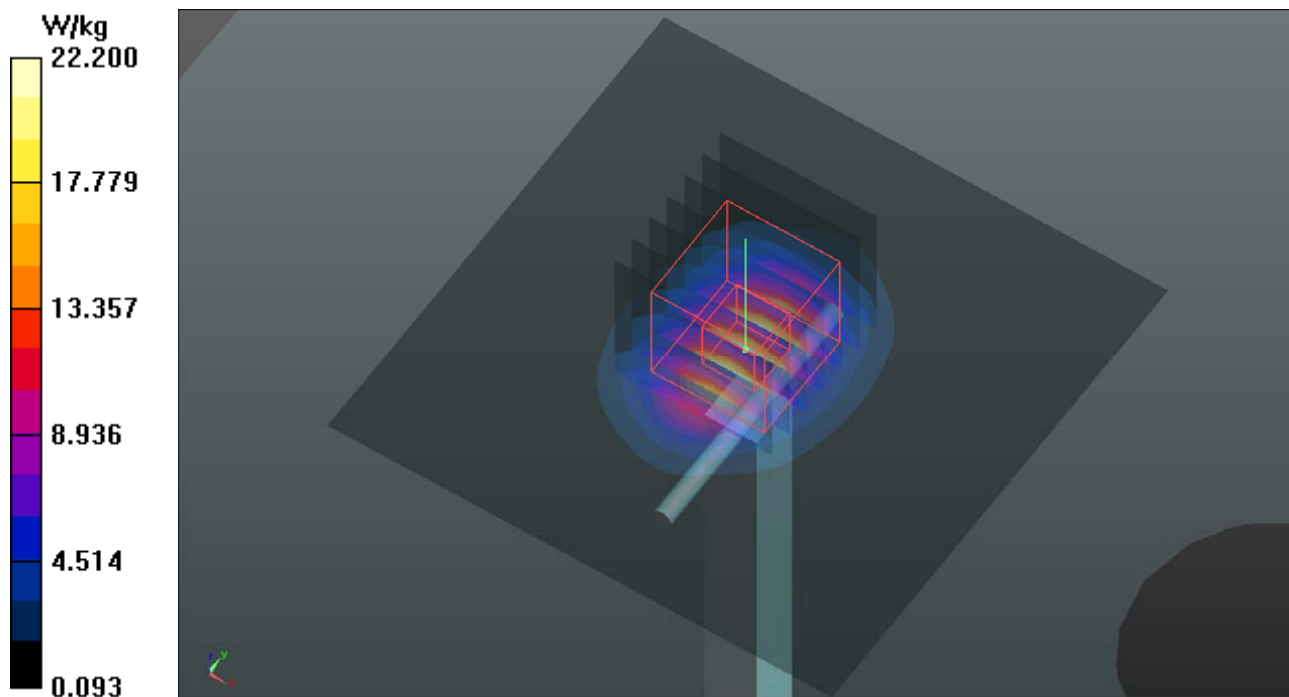
Ambient Temperature : 23.7 °C ; Liquid Temperature : 23.2 °C

DASY5 Configuration:

- Probe: EX3DV4 - SN7375; ConvF(7.16, 7.16, 7.16); Calibrated: 2016/12/08;
- Sensor-Surface: 1.4mm (Mechanical Surface Detection)
- Electronics: DAE3 Sn579; Calibrated: 2017/08/17
- Phantom: Twin SAM Phantom_1823; Type: QD000P40CD;
- Measurement SW: DASY52, Version 52.8 (8); SEMCAD X Version 14.6.10 (7373)

Pin=250mW/Area Scan (81x81x1): Interpolated grid: dx=1.200 mm, dy=1.200 mm
Maximum value of SAR (interpolated) = 22.1 W/kg

Pin=250mW/Zoom Scan (7x7x7)/Cube 0: Measurement grid: dx=5mm, dy=5mm, dz=5mm
Reference Value = 102.6 V/m; Power Drift = 0.05 dB
Peak SAR (extrapolated) = 30.0 W/kg
SAR(1 g) = 14.1 W/kg; SAR(10 g) = 6.27 W/kg
Maximum value of SAR (measured) = 22.2 W/kg



System Check_B5250_171122

DUT: Dipole 5 GHz; Type: D5GHzV2; SN: 1019

Communication System: CW; Frequency: 5250 MHz; Duty Cycle: 1:1

Medium: B34T60N1_1122 Medium parameters used: $f = 5250$ MHz; $\sigma = 5.494$ S/m; $\epsilon_r = 47.12$; $\rho = 1000$ kg/m³

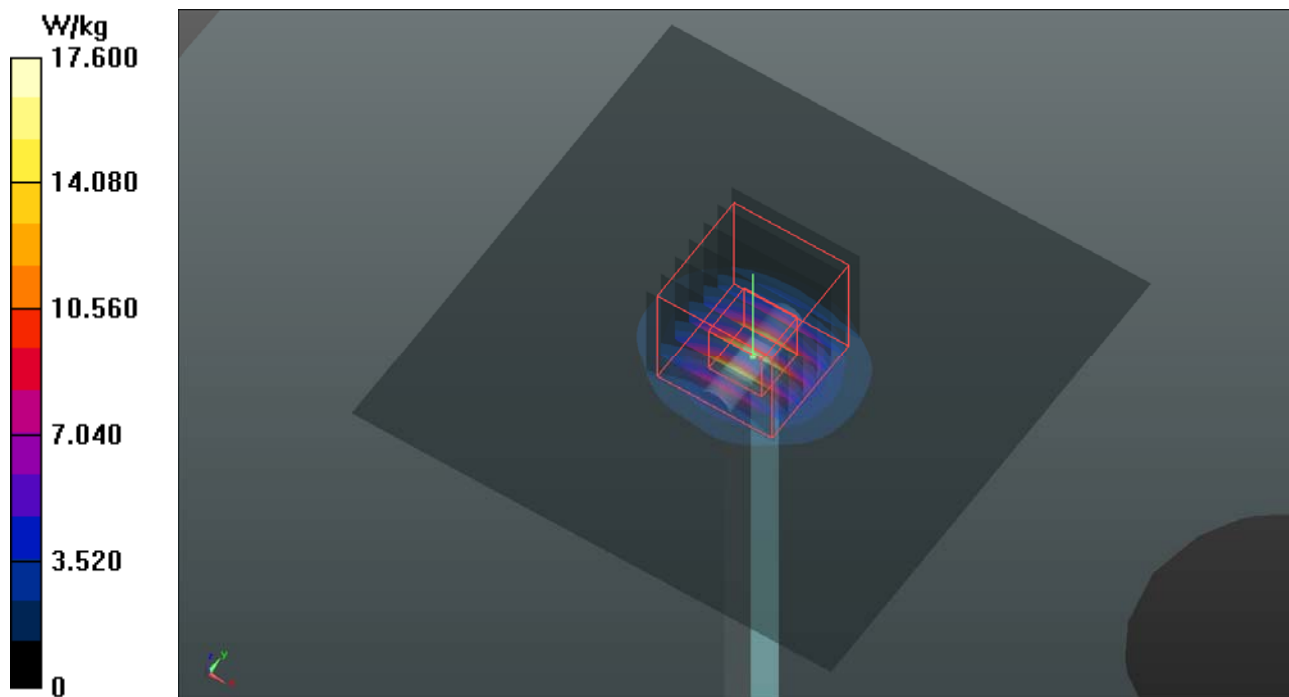
Ambient Temperature : 23.8 °C ; Liquid Temperature : 23.6 °C

DASY5 Configuration:

- Probe: EX3DV4 - SN7375; ConvF(4.82, 4.82, 4.82); Calibrated: 2016/11/16;
- Sensor-Surface: 1.4mm (Mechanical Surface Detection)
- Electronics: DAE3 Sn579; Calibrated: 2017/08/17
- Phantom: Twin SAM Phantom_1823; Type: QD000P40CD;
- Measurement SW: DASY52, Version 52.8 (8); SEMCAD X Version 14.6.10 (7373)

Pin=100mW/Area Scan (91x91x1): Interpolated grid: dx=1.000 mm, dy=1.000 mm
Maximum value of SAR (interpolated) = 17.6 W/kg

Pin=100mW/Zoom Scan (7x7x12)/Cube 0: Measurement grid: dx=4mm, dy=4mm, dz=2mm
Reference Value = 59.09 V/m; Power Drift = 0.16 dB
Peak SAR (extrapolated) = 30.1 W/kg
SAR(1 g) = 7.85 W/kg; SAR(10 g) = 2.23 W/kg
Maximum value of SAR (measured) = 19.3 W/kg



zzzSystem Check_B5250_171127

DUT: Dipole 5 GHz; Type: D5GHzV2; SN: 1019

Communication System: CW; Frequency: 5300 MHz; Duty Cycle: 1:1

Medium: B34T60N1_1127 Medium parameters used: $f = 5300$ MHz; $\sigma = 5.401$ S/m; $\epsilon_r = 49.134$; $\rho = 1000$ kg/m³

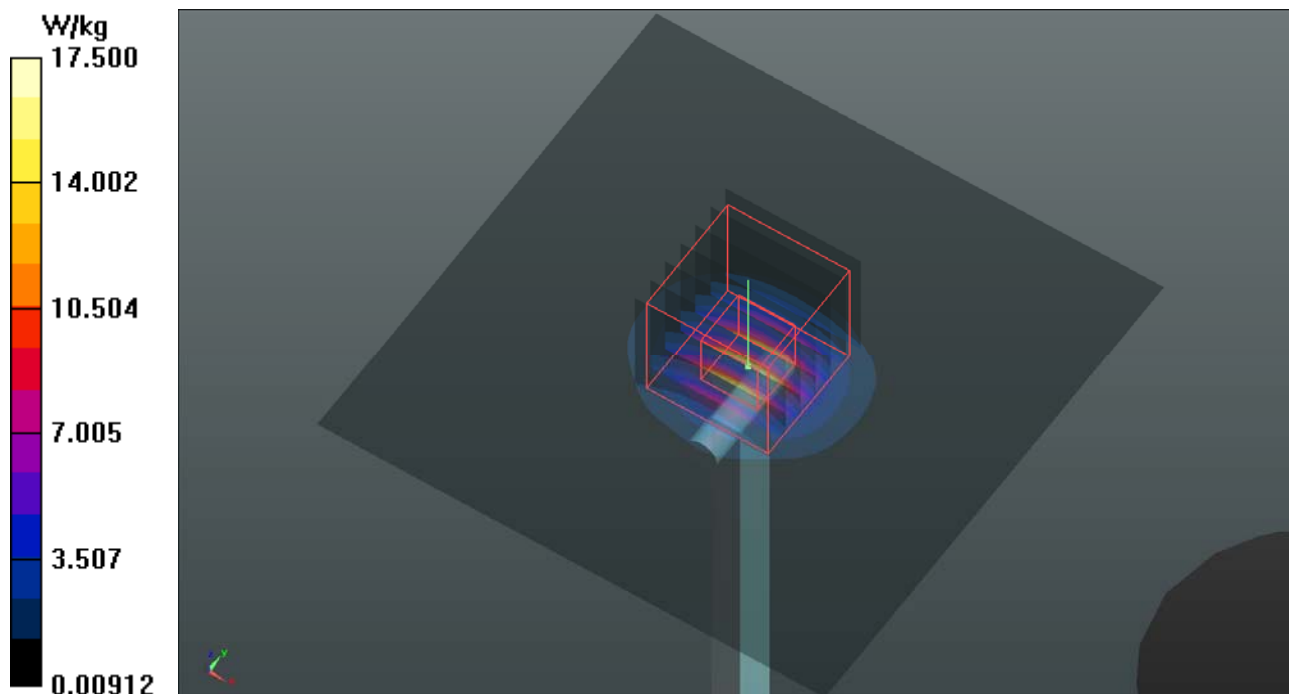
Ambient Temperature : 23.6 °C ; Liquid Temperature : 23.4 °C

DASY5 Configuration:

- Probe: EX3DV4 - SN3971; ConvF(4.7, 4.7, 4.7); Calibrated: 2017/03/24;
- Sensor-Surface: 1.4mm (Mechanical Surface Detection)
- Electronics: DAE4 Sn861; Calibrated: 2017/05/22
- Phantom: Twin SAM Phantom_1652; Type: QD000P40;
- Measurement SW: DASY52, Version 52.8 (8); SEMCAD X Version 14.6.10 (7373)

Pin=100mW/Area Scan (91x91x1): Interpolated grid: dx=1.000 mm, dy=1.000 mm
Maximum value of SAR (interpolated) = 17.5 W/kg

Pin=100mW/Zoom Scan (7x7x12)/Cube 0: Measurement grid: dx=4mm, dy=4mm, dz=2mm
Reference Value = 57.29 V/m; Power Drift = -0.17 dB
Peak SAR (extrapolated) = 30.0 W/kg
SAR(1 g) = 7.53 W/kg; SAR(10 g) = 2.16 W/kg
Maximum value of SAR (measured) = 18.7 W/kg



System Check_B5600_171128

DUT: Dipole 5 GHz; Type: D5GHzV2; SN: 1019

Communication System: CW; Frequency: 5600 MHz; Duty Cycle: 1:1

Medium: B34T60N1_1128 Medium parameters used: $f = 5600$ MHz; $\sigma = 5.852$ S/m; $\epsilon_r = 48.725$; $\rho = 1000$ kg/m³

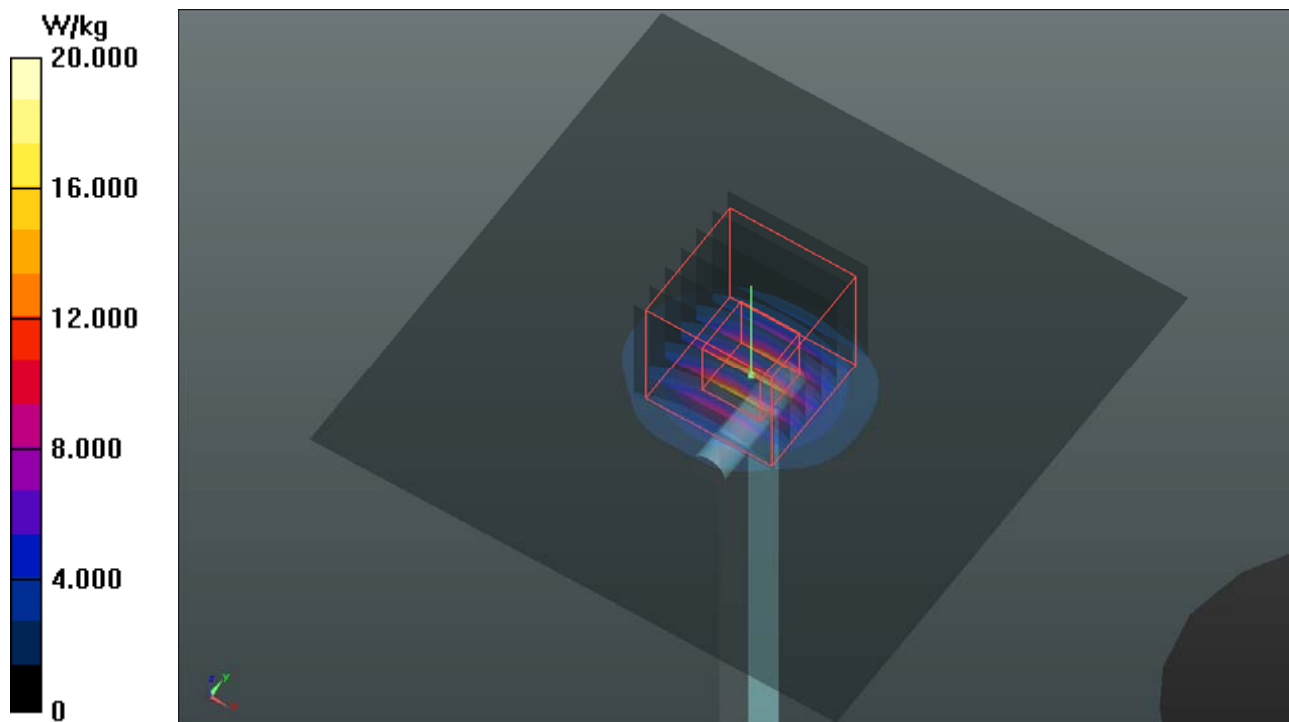
Ambient Temperature : 23.4 °C ; Liquid Temperature : 23.3 °C

DASY5 Configuration:

- Probe: EX3DV4 - SN7375; ConvF(3.99, 3.99, 3.99); Calibrated: 2016/12/08;
- Sensor-Surface: 1.4mm (Mechanical Surface Detection)
- Electronics: DAE3 Sn579; Calibrated: 2017/08/17
- Phantom: Twin SAM Phantom_1823; Type: QD000P40CD;
- Measurement SW: DASY52, Version 52.8 (8); SEMCAD X Version 14.6.10 (7373)

Pin=100mW/Area Scan (91x91x1): Interpolated grid: dx=1.000 mm, dy=1.000 mm
Maximum value of SAR (interpolated) = 18.2 W/kg

Pin=100mW/Zoom Scan (7x7x12)/Cube 0: Measurement grid: dx=4mm, dy=4mm, dz=2mm
Reference Value = 66.86 V/m; Power Drift = -0.08 dB
Peak SAR (extrapolated) = 32.5 W/kg
SAR(1 g) = 7.75 W/kg; SAR(10 g) = 2.16 W/kg
Maximum value of SAR (measured) = 20.0 W/kg



System Check_B5800_171128

DUT: Dipole 5 GHz; Type: D5GHzV2; SN: 1019

Communication System: CW; Frequency: 5800 MHz; Duty Cycle: 1:1

Medium: B34T60N1_1128 Medium parameters used: $f = 5800$ MHz; $\sigma = 6.113$ S/m; $\epsilon_r = 48.226$; $\rho = 1000$ kg/m³

Ambient Temperature : 23.4 °C ; Liquid Temperature : 23.2 °C

DASY5 Configuration:

- Probe: EX3DV4 - SN7375; ConvF(4.08, 4.08, 4.08); Calibrated: 2016/12/08;
- Sensor-Surface: 1.4mm (Mechanical Surface Detection)
- Electronics: DAE3 Sn579; Calibrated: 2017/08/17
- Phantom: Twin SAM Phantom_1823; Type: QD000P40CD;
- Measurement SW: DASY52, Version 52.8 (8); SEMCAD X Version 14.6.10 (7373)

Pin=100mW/Area Scan (91x91x1): Interpolated grid: dx=1.000 mm, dy=1.000 mm
Maximum value of SAR (interpolated) = 18.0 W/kg

Pin=100mW/Zoom Scan (7x7x12)/Cube 0: Measurement grid: dx=4mm, dy=4mm, dz=2mm
Reference Value = 65.16 V/m; Power Drift = -0.11 dB
Peak SAR (extrapolated) = 33.1 W/kg
SAR(1 g) = 7.53 W/kg; SAR(10 g) = 2.12 W/kg
Maximum value of SAR (measured) = 19.7 W/kg

