



# FCC CERTIFICATION REPORT

**Test Report No.** : E1/2017/60163  
**Applicant** : HMD Global Oy  
**Address** : Karaportti 2, 02610 Espoo, Finland  
**Manufacturer** : HMD Global Oy  
**Address** : Karaportti 2, 02610 Espoo, Finland

## Equipment Under Test (EUT) :

**Product Name** : Smart Phone  
**Brand Name** : Nokia  
**Model No.** : TA-1007  
**Added Model(s)** : N/A

**Standards** : FCC Part 15:2017, Subpart B, Class B

**Date of Receipt** : Jun. 24, 2017  
**Date of Test** : Jun. 24 ~ Jul. 10, 2017  
**Date of Issue** : Jul. 24, 2017

|                      |             |
|----------------------|-------------|
| <b>Test Result :</b> | <b>PASS</b> |
|----------------------|-------------|

In the configuration tested, the EUT complied with the standards specified above.

### Remarks :

This report details the results of the testing carried out on one sample, the results contained in this test report do not relate to other samples of the same product. The manufacturer should ensure that all products in series production are in conformity with the product sample detailed in this report.

This report shall not be reproduced except in full, without the written approval of the laboratory. If the product in this report is used in any configuration other than that detailed in the report, the manufacturer must ensure the new system complies with all relevant standards.

**Tested By:** Ivan Hsieh **Date** Jul. 24, 2017  
**Ivan Hsieh (Engineer)**

**Approved By** Eddy Cheng **Date** Jul. 24, 2017

**Eddy Cheng**  
**(Assistant Supervisor)**



Unless otherwise stated the results shown in this test report refer only to the sample(s) tested and such sample(s) are retained for 90 days only.  
 除非另有說明，此報告結果僅對測試之樣品負責，同時此樣品僅保留90天。本報告未經本公司書面許可，不可部份複製。

This document is issued by the Company subject to its General Conditions of Service printed overleaf, available on request or accessible at [www.sgs.com/terms\\_and\\_conditions.htm](http://www.sgs.com/terms_and_conditions.htm) and for electronic format documents, subject to Terms and Conditions for Electronic Documents at [www.sgs.com/terms\\_e-document.htm](http://www.sgs.com/terms_e-document.htm). Attention is drawn to the limitation of liability, indemnification and jurisdiction issues defined therein. Any holder of this document is advised that information contained hereon reflects the Company's findings at the time of its intervention only and within the limits of Client's instructions, if any. The Company's sole responsibility is to its Client and this document does not exonerate parties to a transaction from exercising all their rights and obligations under the transaction documents. This document cannot be reproduced except in full, without prior written approval of the Company. Any unauthorized alteration, forgery or falsification of the content or appearance of this document is unlawful and offenders may be prosecuted to the fullest extent of the law.



## Revision History

| Report Number | Revision | Description                  | Issue Date    |
|---------------|----------|------------------------------|---------------|
| E1/2017/60163 | Rev.00   | Initial creation of document | Jul. 24, 2017 |
|               |          |                              |               |
|               |          |                              |               |
|               |          |                              |               |
|               |          |                              |               |
|               |          |                              |               |
|               |          |                              |               |
|               |          |                              |               |
|               |          |                              |               |
|               |          |                              |               |

Unless otherwise stated the results shown in this test report refer only to the sample(s) tested and such sample(s) are retained for 90 days only.

除非另有說明，此報告結果僅對測試之樣品負責，同時此樣品僅保留90天。本報告未經本公司書面許可，不可部份複製。

This document is issued by the Company subject to its General Conditions of Service printed overleaf, available on request or accessible at [www.sgs.com/terms\\_and\\_conditions.htm](http://www.sgs.com/terms_and_conditions.htm) and for electronic format documents, subject to Terms and Conditions for Electronic Documents at [www.sgs.com/terms\\_e-document.htm](http://www.sgs.com/terms_e-document.htm). Attention is drawn to the limitation of liability, indemnification and jurisdiction issues defined therein. Any holder of this document is advised that information contained hereon reflects the Company's findings at the time of its intervention only and within the limits of Client's instructions, if any. The Company's sole responsibility is to its Client and this document does not exonerate parties to a transaction from exercising all their rights and obligations under the transaction documents. This document cannot be reproduced except in full, without prior written approval of the Company. Any unauthorized alteration, forgery or falsification of the content or appearance of this document is unlawful and offenders may be prosecuted to the fullest extent of the law.



## Contents

|   |           |
|---|-----------|
| <b>1. GENERAL INFORMATION</b> .....                 | <b>4</b>  |
| 1.1 APPLICANT & MANUFACTURER INFORMATION .....      | 4         |
| 1.2 GENERAL DESCRIPTION OF EUT .....                | 4         |
| 1.3 DETAILS OF EUT .....                            | 4         |
| 1.4 OPERATION PROCEDURE .....                       | 6         |
| 1.5 DESCRIPTION OF SUPPORT UNITS .....              | 7         |
| 1.6 MODIFICATION LIST .....                         | 8         |
| 1.7 ACCESSORIES CABLE LIST .....                    | 8         |
| 1.8 TEST SET-UP CONFIGURATION .....                 | 9         |
| 1.9 MEASUREMENT PROCEDURE .....                     | 11        |
| 1.10 STANDARDS APPLICABLE FOR TESTING .....         | 11        |
| 1.11 SUMMARY OF RESULTS .....                       | 12        |
| <b>2. EMISSION</b> .....                            | <b>13</b> |
| 2.1 TEST RESULTS .....                              | 13        |
| 2.2 FREQUENCY RANGE .....                           | 13        |
| 2.3 LIMITS OF CONDUCTED AND RADIATED EMISSION ..... | 14        |
| 2.3.1 LIMITS OF CONDUCTED EMISSION .....            | 14        |
| 2.3.2 LIMITS OF RADIATED EMISSIONS .....            | 15        |
| 2.4. TEST OF CONDUCTED EMISSION .....               | 17        |
| 2.4.1 TEST EQUIPMENTS .....                         | 17        |
| 2.4.2 OPERATING ENVIRONMENT .....                   | 17        |
| 2.4.3 MEASUREMENT LEVEL CALCULATION .....           | 17        |
| 2.4.4 MEASUREMENT DATA: .....                       | 18        |
| 2.5 TEST OF RADIATED EMISSION .....                 | 20        |
| 2.5.1 TEST EQUIPMENTS .....                         | 20        |
| 2.5.2 OPERATING ENVIRONMENT .....                   | 22        |
| 2.5.3 MEASUREMENT LEVEL CALCULATION .....           | 22        |
| 2.5.4 MEASUREMENT DATA .....                        | 23        |

Unless otherwise stated the results shown in this test report refer only to the sample(s) tested and such sample(s) are retained for 90 days only.

除非另有說明，此報告結果僅對測試之樣品負責，同時此樣品僅保留90天。本報告未經本公司書面許可，不可部份複製。

This document is issued by the Company subject to its General Conditions of Service printed overleaf, available on request or accessible at [www.sgs.com/terms\\_and\\_conditions.htm](http://www.sgs.com/terms_and_conditions.htm) and for electronic format documents, subject to Terms and Conditions for Electronic Documents at [www.sgs.com/terms\\_e-document.htm](http://www.sgs.com/terms_e-document.htm). Attention is drawn to the limitation of liability, indemnification and jurisdiction issues defined therein. Any holder of this document is advised that information contained hereon reflects the Company's findings at the time of its intervention only and within the limits of Client's instructions, if any. The Company's sole responsibility is to its Client and this document does not exonerate parties to a transaction from exercising all their rights and obligations under the transaction documents. This document cannot be reproduced except in full, without prior written approval of the Company. Any unauthorized alteration, forgery or falsification of the content or appearance of this document is unlawful and offenders may be prosecuted to the fullest extent of the law.



# 1. General Information

## 1.1 Applicant & Manufacturer Information

Applicant : HMD Global Oy  
 Address of Applicant : Karaportti 2, 02610 Espoo, Finland  
 Manufacturer : HMD Global Oy  
 Address of Manufacturer : Karaportti 2, 02610 Espoo, Finland

## 1.2 General Description of EUT

Product Name : Smart Phone  
 Brand Name : Nokia  
 Model No. : TA-1007  
 Added Model(s) : N/A  
 Model Difference : N/A

## 1.3 Details of EUT

Power Supply : AC 100~240V, 50~60Hz  
 From System  
 Inside Battery 3.85V

Modes/Function :

- Mode 1. Rear REC+ADP+Earphone+USB Cable +BT Link+WiFi 2.4G Link+GPS/ AGPS/ Gloness/ Beidou Link
- Mode 2. Front REC+ADP+Earphone+USB Cable +BT Link+WiFi 2.4G Link+GPS/ AGPS/ Gloness/ Beidou Link
- Mode 3. ADP+Earphone+USB Cable+BT Link+WiFi Link+GPS/ AGPS/ Gloness/ Beidou Link +GSM 900 Link
- Mode 4. ADP+Earphone+USB Cable+BT Link+WiFi Link+GPS/ AGPS/ Gloness/ Beidou Link +GSM 1800 Link
- Mode 5. ADP+Earphone+USB Cable+BT Link+WiFi Link+GPS/ AGPS/ Gloness/ Beidou Link +3G B1 Link

Unless otherwise stated the results shown in this test report refer only to the sample(s) tested and such sample(s) are retained for 90 days only.

除非另有說明，此報告結果僅對測試之樣品負責，同時此樣品僅保留90天。本報告未經本公司書面許可，不可部份複製。

This document is issued by the Company subject to its General Conditions of Service printed overleaf, available on request or accessible at [www.sgs.com/terms\\_and\\_conditions.htm](http://www.sgs.com/terms_and_conditions.htm) and for electronic format documents, subject to Terms and Conditions for Electronic Documents at [www.sgs.com/terms\\_e-document.htm](http://www.sgs.com/terms_e-document.htm). Attention is drawn to the limitation of liability, indemnification and jurisdiction issues defined therein. Any holder of this document is advised that information contained hereon reflects the Company's findings at the time of its intervention only and within the limits of Client's instructions, if any. The Company's sole responsibility is to its Client and this document does not exonerate parties to a transaction from exercising all their rights and obligations under the transaction documents. This document cannot be reproduced except in full, without prior written approval of the Company. Any unauthorized alteration, forgery or falsification of the content or appearance of this document is unlawful and offenders may be prosecuted to the fullest extent of the law.



|                             |  |
|-----------------------------|--|
|                             | Mode 6. ADP+Earphone+USB Cable+BT<br>Link+WiFi Link+GPS/ AGPS/ Gloness/<br>Beidou Link +3G B8 Link   |
|                             | Mode 7. ADP+Earphone+USB Cable+BT<br>Link+WiFi Link+GPS/ AGPS/ Gloness/<br>Beidou Link +4G B38 Link  |
|                             | Mode 8. PC LINK Micro SD Read +<br>Earphone+USB Cable  |
|                             | Mode 9. PC LINK Micro SD Write +<br>Earphone+USB Cable   |
|                             | Mode 10. Phone only play Music   |
|                             | Mode 11. FM +ADP+Earphone+t USB Cable  |
| Worst case                  | : CE _Worst_ case:<br>Mode 8. PC LINK Micro SD Read + Earphone<br>+USB Cable<br>Below_RE_Worst _case:<br>Mode 8. PC LINK Micro SD Read + Earphone<br>+USB Cable<br>Above_RE_Worst_case:<br>Mode 8. PC LINK Micro SD Read + Earphone<br>+USB Cable  |
| Highest operate description | : 2620MHz  |
| Adapter                     | : Model No.: FC0100<br>Supplier : HMD Global Oy<br>I/P : AC 100-240V, 50-60Hz, 0.3A<br>O/P : DC 5.0V, 2A<br><br>Model No.: FC0101<br>Supplier : HMD Global Oy<br>I/P : AC 100-240V, 50-60Hz, 0.3A<br>O/P : DC 5.0V, 2A<br><br>Model No.: FC0102<br>Supplier : HMD Global Oy<br>I/P : AC 100-240V, 50-60Hz, 0.3A<br>O/P : DC 5.0V, 2A |
| Battery                     | : Model No.: HE338<br>Supplier: NOKIA<br>3.85V, 4000mAh, 15.4Wh  |

Unless otherwise stated the results shown in this test report refer only to the sample(s) tested and such sample(s) are retained for 90 days only.

除非另有說明，此報告結果僅對測試之樣品負責，同時此樣品僅保留90天。本報告未經本公司書面許可，不可部份複製。

This document is issued by the Company subject to its General Conditions of Service printed overleaf, available on request or accessible at [www.sgs.com/terms\\_and\\_conditions.htm](http://www.sgs.com/terms_and_conditions.htm) and for electronic format documents, subject to Terms and Conditions for Electronic Documents at [www.sgs.com/terms\\_e-document.htm](http://www.sgs.com/terms_e-document.htm). Attention is drawn to the limitation of liability, indemnification and jurisdiction issues defined therein. Any holder of this document is advised that information contained hereon reflects the Company's findings at the time of its intervention only and within the limits of Client's instructions, if any. The Company's sole responsibility is to its Client and this document does not exonerate parties to a transaction from exercising all their rights and obligations under the transaction documents. This document cannot be reproduced except in full, without prior written approval of the Company. Any unauthorized alteration, forgery or falsification of the content or appearance of this document is unlawful and offenders may be prosecuted to the fullest extent of the law.



## 1.4 Operation Procedure

### Test Mode: 1

1. EUT connected to Adapter & USB Cable & Earphone and power on.
2. Open the preset lens video, Executing BT & WIFI & GPS Link.
3. Start the test.

### Test Mode: 2

1. EUT connected to Adapter & USB Cable & Earphone and power on.
2. Open the Post lens to video, Executing BT & WIFI & GPS Link.
3. Start the test.

### Test Mode: 3

1. EUT connected to Adapter & USB Cable & Earphone and power on.
2. Executing BT & WIFI & GPS & GSM 900 Link.
3. Start the test.

### Test Mode: 4

1. EUT connected to Adapter & USB Cable & Earphone and power on.
2. Executing BT & WIFI & GPS & GSM 1800 Link.
3. Start the test.

### Test Mode: 5

1. EUT connected to Adapter & USB Cable & Earphone and power on.
2. Executing BT & WIFI & GPS & WCDMA Band1 Link.
3. Start the test.

### Test Mode: 6

1. EUT connected to Adapter & USB Cable & Earphone and power on.
2. Executing BT & WIFI & GPS & WCDMA Band8 Link.
3. Start the test.

### Test Mode: 7

1. EUT connected to Adapter & USB Cable & Earphone and power on.
2. Executing BT & WIFI & GPS & LTE Band38 Link.
3. Start the test.

Unless otherwise stated the results shown in this test report refer only to the sample(s) tested and such sample(s) are retained for 90 days only.

除非另有說明，此報告結果僅對測試之樣品負責，同時此樣品僅保留90天。本報告未經本公司書面許可，不可部份複製。

This document is issued by the Company subject to its General Conditions of Service printed overleaf, available on request or accessible at [www.sgs.com/terms\\_and\\_conditions.htm](http://www.sgs.com/terms_and_conditions.htm) and for electronic format documents, subject to Terms and Conditions for Electronic Documents at [www.sgs.com/terms\\_e-document.htm](http://www.sgs.com/terms_e-document.htm). Attention is drawn to the limitation of liability, indemnification and jurisdiction issues defined therein. Any holder of this document is advised that information contained hereon reflects the Company's findings at the time of its intervention only and within the limits of Client's instructions, if any. The Company's sole responsibility is to its Client and this document does not exonerate parties to a transaction from exercising all their rights and obligations under the transaction documents. This document cannot be reproduced except in full, without prior written approval of the Company. Any unauthorized alteration, forgery or falsification of the content or appearance of this document is unlawful and offenders may be prosecuted to the fullest extent of the law.



## Test Mode: 8

1. EUT install Micro SD Card.
2. EUT connected to Earphone & USB Cable and NB Link.
3. NB and mobile phone USB data transfer (Reader).
4. Start the test.

## Test Mode: 9

1. EUT install Micro SD Card.
2. EUT connected to Earphone & USB Cable and NB Link.
3. NB and mobile phone USB data transmission (Write).
4. Start the test.

## Test Mode: 10

1. EUT stand-alone boot, play MP3 audio files.
2. Start the test.

## Test Mode: 11

1. EUT connected to Adapter & USB Cable & Earphone and power on.
2. Turn on FM Radio Function and receive FM Radio.
3. Start the test.

## 1.5 Description of Support Units

| PRODUCT                      | MANUFACTURER | MODEL NO.           | SERIAL NO.               |
|------------------------------|--------------|---------------------|--------------------------|
| Micro SD                     | Transcend    | Micro SDHC (Class4) | N/A                      |
| BT Speaker                   | Creative     | MF8090              | YFMF8090245R00855Y       |
| Radio Communication Analyzer | R&S          | CMU200              | 102189                   |
| Radio Communication Analyzer | R&S          | CMU500              | 1201.002K50-152303-Zr    |
| AP                           | BUFFALO      | WZR-HP-G300NH2      | 44066221202559[[G]]      |
| GPS Signal Generator         | Spectracom   | GSG53 GNSS4         | 200218                   |
| Mouse (EMI)                  | DELL         | MS111-T             | CN-OKW2YH-71616-345-OL7T |
| Printer (EMI)                | HP           | VCVRA-1004          | CN33K19J3F               |
| Notebook (EMI)(Win7)         | DELL         | Latitude E5430      | COVZYW1                  |
| TMC/FM Generator             | Levear       | VP-8194D            | 0821170LA                |

Unless otherwise stated the results shown in this test report refer only to the sample(s) tested and such sample(s) are retained for 90 days only.

除非另有說明，此報告結果僅對測試之樣品負責，同時此樣品僅保留90天。本報告未經本公司書面許可，不可部份複製。

This document is issued by the Company subject to its General Conditions of Service printed overleaf, available on request or accessible at [www.sgs.com/terms\\_and\\_conditions.htm](http://www.sgs.com/terms_and_conditions.htm) and for electronic format documents, subject to Terms and Conditions for Electronic Documents at [www.sgs.com/terms\\_e-document.htm](http://www.sgs.com/terms_e-document.htm). Attention is drawn to the limitation of liability, indemnification and jurisdiction issues defined therein. Any holder of this document is advised that information contained hereon reflects the Company's findings at the time of its intervention only and within the limits of Client's instructions, if any. The Company's sole responsibility is to its Client and this document does not exonerate parties to a transaction from exercising all their rights and obligations under the transaction documents. This document cannot be reproduced except in full, without prior written approval of the Company. Any unauthorized alteration, forgery or falsification of the content or appearance of this document is unlawful and offenders may be prosecuted to the fullest extent of the law.



### Support Equipment Used in Tested Cable

| Cable Type | Core | Length | Shielding/Non-shielding |
|------------|------|--------|-------------------------|
| N/A        | N/A  | N/A    | N/A                     |

### 1.6 Modification List

No modification was made by SGS Taiwan Electronics & Communication Laboratory.

### 1.7 Accessories Cable List

| Cable Type | Core | Length | Category | Shielding/Non-shielding |
|------------|------|--------|----------|-------------------------|
| USB Cable  | N/A  | 1M     | N/A      | Shielding               |
| Earphone   | N/A  | 1.5M   | N/A      | Non-shielding           |

Unless otherwise stated the results shown in this test report refer only to the sample(s) tested and such sample(s) are retained for 90 days only.

除非另有說明，此報告結果僅對測試之樣品負責，同時此樣品僅保留90天。本報告未經本公司書面許可，不可部份複製。

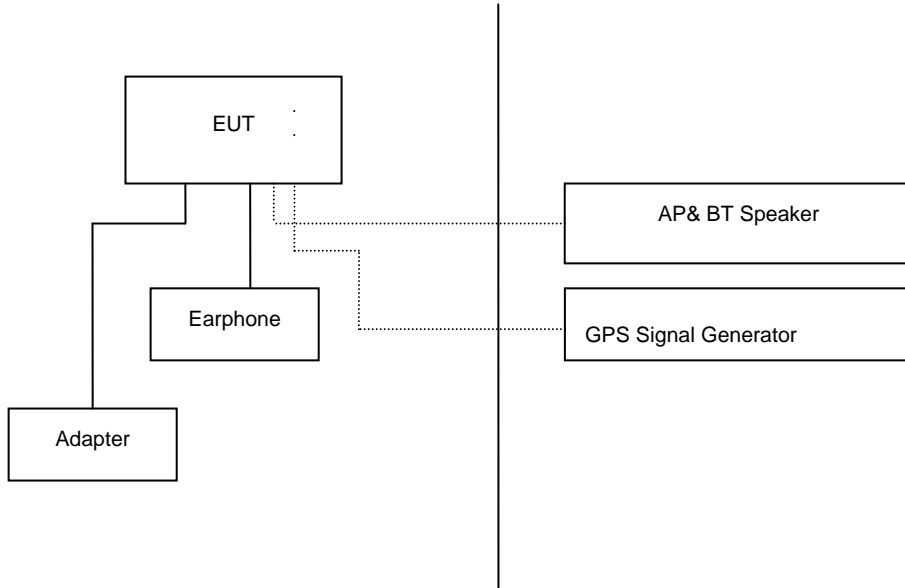
This document is issued by the Company subject to its General Conditions of Service printed overleaf, available on request or accessible at [www.sgs.com/terms\\_and\\_conditions.htm](http://www.sgs.com/terms_and_conditions.htm) and for electronic format documents, subject to Terms and Conditions for Electronic Documents at [www.sgs.com/terms\\_e-document.htm](http://www.sgs.com/terms_e-document.htm). Attention is drawn to the limitation of liability, indemnification and jurisdiction issues defined therein. Any holder of this document is advised that information contained hereon reflects the Company's findings at the time of its intervention only and within the limits of Client's instructions, if any. The Company's sole responsibility is to its Client and this document does not exonerate parties to a transaction from exercising all their rights and obligations under the transaction documents. This document cannot be reproduced except in full, without prior written approval of the Company. Any unauthorized alteration, forgery or falsification of the content or appearance of this document is unlawful and offenders may be prosecuted to the fullest extent of the law.



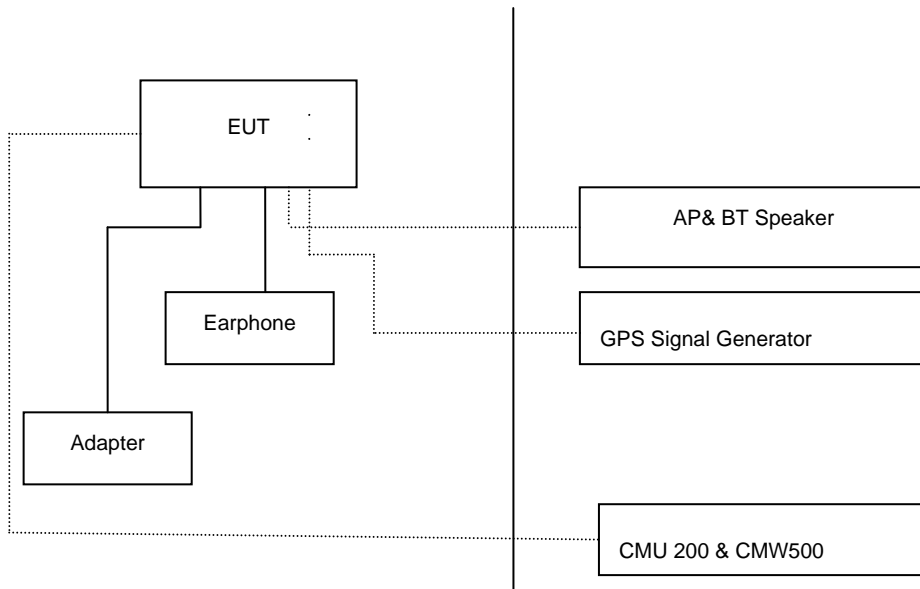


### 1.8 Test Set-Up Configuration

#### Test mode 1~2



#### Test mode 3~7



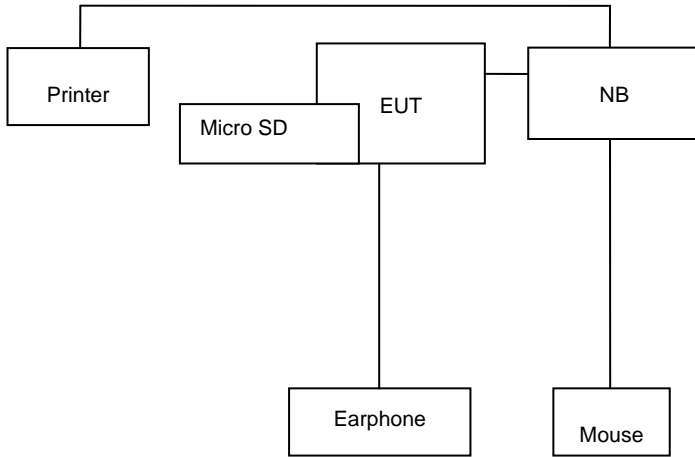
Unless otherwise stated the results shown in this test report refer only to the sample(s) tested and such sample(s) are retained for 90 days only.

除非另有說明，此報告結果僅對測試之樣品負責，同時此樣品僅保留90天。本報告未經本公司書面許可，不可部份複製。

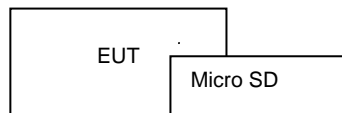
This document is issued by the Company subject to its General Conditions of Service printed overleaf, available on request or accessible at [www.sgs.com/terms\\_and\\_conditions.htm](http://www.sgs.com/terms_and_conditions.htm) and for electronic format documents, subject to Terms and Conditions for Electronic Documents at [www.sgs.com/terms\\_e-document.htm](http://www.sgs.com/terms_e-document.htm). Attention is drawn to the limitation of liability, indemnification and jurisdiction issues defined therein. Any holder of this document is advised that information contained hereon reflects the Company's findings at the time of its intervention only and within the limits of Client's instructions, if any. The Company's sole responsibility is to its Client and this document does not exonerate parties to a transaction from exercising all their rights and obligations under the transaction documents. This document cannot be reproduced except in full, without prior written approval of the Company. Any unauthorized alteration, forgery or falsification of the content or appearance of this document is unlawful and offenders may be prosecuted to the fullest extent of the law.



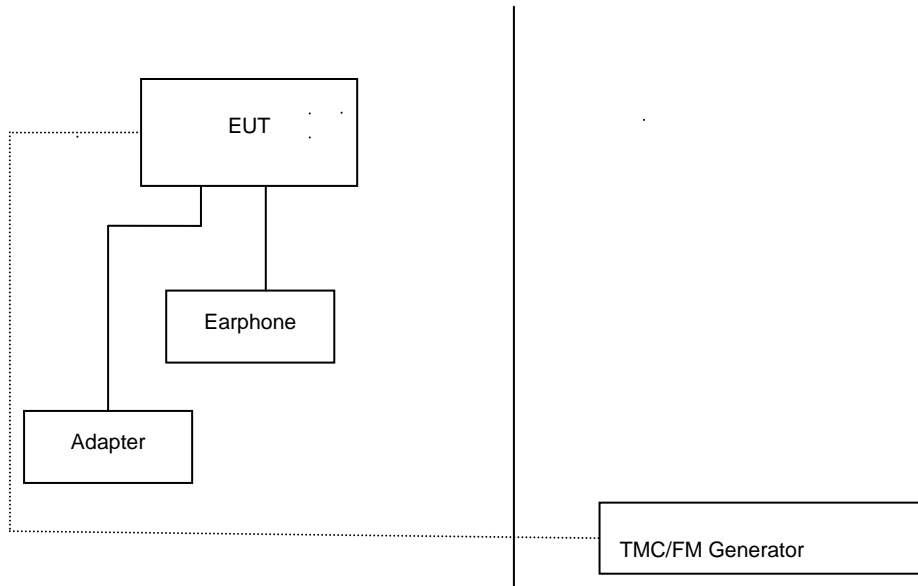
Test mode 8~9



Test mode 10



Test mode 11



Unless otherwise stated the results shown in this test report refer only to the sample(s) tested and such sample(s) are retained for 90 days only.

除非另有說明，此報告結果僅對測試之樣品負責，同時此樣品僅保留90天。本報告未經本公司書面許可，不可部份複製。

This document is issued by the Company subject to its General Conditions of Service printed overleaf, available on request or accessible at [www.sgs.com/terms\\_and\\_conditions.htm](http://www.sgs.com/terms_and_conditions.htm) and for electronic format documents, subject to Terms and Conditions for Electronic Documents at [www.sgs.com/terms\\_e-document.htm](http://www.sgs.com/terms_e-document.htm). Attention is drawn to the limitation of liability, indemnification and jurisdiction issues defined therein. Any holder of this document is advised that information contained hereon reflects the Company's findings at the time of its intervention only and within the limits of Client's instructions, if any. The Company's sole responsibility is to its Client and this document does not exonerate parties to a transaction from exercising all their rights and obligations under the transaction documents. This document cannot be reproduced except in full, without prior written approval of the Company. Any unauthorized alteration, forgery or falsification of the content or appearance of this document is unlawful and offenders may be prosecuted to the fullest extent of the law.



## 1.9 Measurement Procedure

Conducted Emission Testing was performed according to ANSI C63.4:2014 in a shielded room with peripherals placed on a table, 0.8m high over a metal floor. It was located more than required distance away from the shielded room wall.

Radiated Emission Testing was performed according to ANSI C63.4:2014 at the 3/10m semi-anechoic chamber. The EUT was placed on a 0.8m high table along with the peripherals. The turn table was placed 10m distance from the antenna. Cables were placed in a position to produce maximum emissions as determined by experimentation, and operation mode was selected for production of maximum emission.

The frequencies and amplitudes of maximum emission were measured at varying azimuths, antenna heights and antenna polarities. Maximum emission levels are then reported.

## 1.10 Standards Applicable for Testing

Tests to be carried out under FCC Part 15, Subpart B/CISPR 22

| Test Standards                      | Status       |
|-------------------------------------|--------------|
| FCC Part 15, Subpart B/<br>CISPR 22 | Applicable   |
| Deviation from Standard             | No deviation |

Unless otherwise stated the results shown in this test report refer only to the sample(s) tested and such sample(s) are retained for 90 days only.  
除非另有說明，此報告結果僅對測試之樣品負責，同時此樣品僅保留90天。本報告未經本公司書面許可，不可部份複製。

This document is issued by the Company subject to its General Conditions of Service printed overleaf, available on request or accessible at [www.sgs.com/terms\\_and\\_conditions.htm](http://www.sgs.com/terms_and_conditions.htm) and for electronic format documents, subject to Terms and Conditions for Electronic Documents at [www.sgs.com/terms\\_e-document.htm](http://www.sgs.com/terms_e-document.htm). Attention is drawn to the limitation of liability, indemnification and jurisdiction issues defined therein. Any holder of this document is advised that information contained hereon reflects the Company's findings at the time of its intervention only and within the limits of Client's instructions, if any. The Company's sole responsibility is to its Client and this document does not exonerate parties to a transaction from exercising all their rights and obligations under the transaction documents. This document cannot be reproduced except in full, without prior written approval of the Company. Any unauthorized alteration, forgery or falsification of the content or appearance of this document is unlawful and offenders may be prosecuted to the fullest extent of the law.

SGS Taiwan Ltd.

No.134,Wu Kung Road, New Taipei Industrial Park, Wuku District, New Taipei City, Taiwan 24803/新北市五股區新北產業園區五工路 134 號

台灣檢驗科技股份有限公司

t (886-2) 2299-3279

f (886-2) 2298-0488

[www.tw.sgs.com](http://www.tw.sgs.com)

Member of SGS Group



## 1.11 Summary of Results

### Model No.:TA-1007

| Highest Emission                 |                    |        |            |                |             |
|----------------------------------|--------------------|--------|------------|----------------|-------------|
| Standard                         | Test Type          | Result | Phase/Pol. | Frequency(MHz) | Margin(dB)  |
| FCC Part 15 Subpart B<br>Class B | Conducted Emission | PASS   | Line       | 0.3580         | 10.03 (AVG) |
|                                  |                    |        | Neutral    | 0.3580         | -9.05 (AVG) |
|                                  | Radiated Emission  | PASS   | Hor.       | 940.6100       | -10.20 (QP) |

### Model No.:TA-1029

| Highest Emission                 |                    |        |            |                |             |
|----------------------------------|--------------------|--------|------------|----------------|-------------|
| Standard                         | Test Type          | Result | Phase/Pol. | Frequency(MHz) | Margin(dB)  |
| FCC Part 15 Subpart B<br>Class B | Conducted Emission | PASS   | Line       | 0.3580         | 10.03 (AVG) |
|                                  |                    |        | Neutral    | 0.3580         | -9.05 (AVG) |
|                                  | Radiated Emission  | PASS   | Ver.       | 72.2300        | -9.40 (QP)  |

#### Difference Description:

The only different between TA-1029 and TA-1007 is SIM card slot, where the TA-1029 is Dual-SIM (FCC ID:2AJOTTA-1029), the TA-1007 is Single SIM.

Other parts of the Smart Phone are the same, including the appearance, the antennas, Chipset, RF parameters, Battery, Mainboard and so on

#### Note:

According to the difference description above, TA-1007 is tested at the worst case of TA-1029(FCC ID:2AJOTTA-1029)

Unless otherwise stated the results shown in this test report refer only to the sample(s) tested and such sample(s) are retained for 90 days only.

除非另有說明，此報告結果僅對測試之樣品負責，同時此樣品僅保留90天。本報告未經本公司書面許可，不可部份複製。

This document is issued by the Company subject to its General Conditions of Service printed overleaf, available on request or accessible at [www.sgs.com/terms\\_and\\_conditions.htm](http://www.sgs.com/terms_and_conditions.htm) and for electronic format documents, subject to Terms and Conditions for Electronic Documents at [www.sgs.com/terms\\_e-document.htm](http://www.sgs.com/terms_e-document.htm). Attention is drawn to the limitation of liability, indemnification and jurisdiction issues defined therein. Any holder of this document is advised that information contained hereon reflects the Company's findings at the time of its intervention only and within the limits of Client's instructions, if any. The Company's sole responsibility is to its Client and this document does not exonerate parties to a transaction from exercising all their rights and obligations under the transaction documents. This document cannot be reproduced except in full, without prior written approval of the Company. Any unauthorized alteration, forgery or falsification of the content or appearance of this document is unlawful and offenders may be prosecuted to the fullest extent of the law.



## 2. EMISSION

### 2.1 Test Results

|                    | Results     |
|--------------------|-------------|
| Conducted Emission | <b>Pass</b> |
| Radiated Emission  | <b>Pass</b> |

### 2.2 Frequency Range

**FCC Part 15, Subpart B:**

Conducted Emission : 150 kHz - 30 MHz

Radiated Emission : See below table

Highest frequency generated or used in the device or on which the device operates or tunes (MHz)      Upper frequency of measurement range (MHz)

---

|             |   |
|-------------|---|
| Below 1.705 | 30  |
| 1.705 - 108 | 1000  |
| 108 - 500   | 2000  |
| 500 - 1000  | 5000  |
| Above 1000  | 5th harmonic of the highest frequency or 40 GHz, whichever is lower |

Unless otherwise stated the results shown in this test report refer only to the sample(s) tested and such sample(s) are retained for 90 days only.

除非另有說明，此報告結果僅對測試之樣品負責，同時此樣品僅保留90天。本報告未經本公司書面許可，不可部份複製。

This document is issued by the Company subject to its General Conditions of Service printed overleaf, available on request or accessible at [www.sgs.com/terms\\_and\\_conditions.htm](http://www.sgs.com/terms_and_conditions.htm) and for electronic format documents, subject to Terms and Conditions for Electronic Documents at [www.sgs.com/terms\\_e-document.htm](http://www.sgs.com/terms_e-document.htm). Attention is drawn to the limitation of liability, indemnification and jurisdiction issues defined therein. Any holder of this document is advised that information contained hereon reflects the Company's findings at the time of its intervention only and within the limits of Client's instructions, if any. The Company's sole responsibility is to its Client and this document does not exonerate parties to a transaction from exercising all their rights and obligations under the transaction documents. This document cannot be reproduced except in full, without prior written approval of the Company. Any unauthorized alteration, forgery or falsification of the content or appearance of this document is unlawful and offenders may be prosecuted to the fullest extent of the law.



## 2.3 Limits of Conducted and Radiated Emission

### 2.3.1 Limits of Conducted Emission

#### FCC Part 15, Subpart B/CISPR 22:

| FREQUENCY<br>(MHz) | Class A (dBuV) |         | Class B (dBuV) |         |
|--------------------|----------------|---------|----------------|---------|
|                    | Quasi - peak   | Average | Quasi - peak   | Average |
| 0.15 - 0.5         | 79             | 66      | 66 - 56        | 56 - 46 |
| 0.50 - 5.0         | 73             | 60      | 56             | 46      |
| 5.0 - 30.0         | 73             | 60      | 60             | 50      |

Note : (1) The lower limit shall apply at the transition frequencies.

(2) The limit decreases linearly with the logarithm of the frequency in the range 0.15 to 0.50 MHz.

(3) All emanation from a class A/B digital device or system, including any network of conductors and apparatus connected there to, shall not exceed the level of field strengths specified above.

Unless otherwise stated the results shown in this test report refer only to the sample(s) tested and such sample(s) are retained for 90 days only.

除非另有說明，此報告結果僅對測試之樣品負責，同時此樣品僅保留90天。本報告未經本公司書面許可，不可部份複製。

This document is issued by the Company subject to its General Conditions of Service printed overleaf, available on request or accessible at [www.sgs.com/terms\\_and\\_conditions.htm](http://www.sgs.com/terms_and_conditions.htm) and for electronic format documents, subject to Terms and Conditions for Electronic Documents at [www.sgs.com/terms\\_e-document.htm](http://www.sgs.com/terms_e-document.htm). Attention is drawn to the limitation of liability, indemnification and jurisdiction issues defined therein. Any holder of this document is advised that information contained hereon reflects the Company's findings at the time of its intervention only and within the limits of Client's instructions, if any. The Company's sole responsibility is to its Client and this document does not exonerate parties to a transaction from exercising all their rights and obligations under the transaction documents. This document cannot be reproduced except in full, without prior written approval of the Company. Any unauthorized alteration, forgery or falsification of the content or appearance of this document is unlawful and offenders may be prosecuted to the fullest extent of the law.



### 2.3.2 Limits of Radiated Emissions

#### FCC Part 15, Subpart B Limit:

- Detector Function : Quasi – Peak

| FREQUENCY<br>(MHz) | Class A (at 10m) |  | Class B (at 3m) |  |
|--------------------|------------------|--|-----------------|--|
|                    | dBuV/m           |  | dBuV/m          |  |
| 30~88              | 39               |  | 40              |  |
| 88~216             | 43.5             |  | 43.5            |  |
| 216~960            | 46.44            |  | 46              |  |
| Above 960          | 49.54            |  | 54              |  |

- Detector Function : Peak , Average

| FREQUENCY<br>(MHz)  | Class A (dBuV/m) (at 3m) |         | Class B (dBuV/m) (at 3m) |         |
|---------------------|--------------------------|---------|--------------------------|---------|
|                     | Peak                     | Average | Peak                     | Average |
| Above<br>1000-18000 | 79.3                     | 59.3    | 73.9                     | 53.9    |

Unless otherwise stated the results shown in this test report refer only to the sample(s) tested and such sample(s) are retained for 90 days only.

除非另有說明，此報告結果僅對測試之樣品負責，同時此樣品僅保留90天。本報告未經本公司書面許可，不可部份複製。

This document is issued by the Company subject to its General Conditions of Service printed overleaf, available on request or accessible at [www.sgs.com/terms\\_and\\_conditions.htm](http://www.sgs.com/terms_and_conditions.htm) and for electronic format documents, subject to Terms and Conditions for Electronic Documents at [www.sgs.com/terms\\_e-document.htm](http://www.sgs.com/terms_e-document.htm). Attention is drawn to the limitation of liability, indemnification and jurisdiction issues defined therein. Any holder of this document is advised that information contained hereon reflects the Company's findings at the time of its intervention only and within the limits of Client's instructions, if any. The Company's sole responsibility is to its Client and this document does not exonerate parties to a transaction from exercising all their rights and obligations under the transaction documents. This document cannot be reproduced except in full, without prior written approval of the Company. Any unauthorized alteration, forgery or falsification of the content or appearance of this document is unlawful and offenders may be prosecuted to the fullest extent of the law.

**CISPR 22 Limit:**

- Detector Function : Quasi – Peak

| FREQUENCY<br>(MHz) | Class A (at 10m) | Class B (at 10m) |
|--------------------|------------------|------------------|
|                    | dBuV/m           | dBuV/m           |
| 30-230             | 40               | 30               |
| 230-1000           | 47               | 37               |

NOTE 1 The lower limit shall apply at the transition frequency.

NOTE 2 Additional provisions may be required for cases where interference occurs.

| FREQUENCY<br>(GHz) | Class A (dBuV/m) (at 3m) |      | Class B (dBuV/m) (at 3m) |      |
|--------------------|--------------------------|------|--------------------------|------|
|                    | Average                  | Peak | Average                  | Peak |
| 1~3                | 56                       | 76   | 50                       | 70   |
| 3~6                | 60                       | 80   | 54                       | 74   |

NOTE The lower limit applies at the transition frequency.

Unless otherwise stated the results shown in this test report refer only to the sample(s) tested and such sample(s) are retained for 90 days only.

除非另有說明，此報告結果僅對測試之樣品負責，同時此樣品僅保留90天。本報告未經本公司書面許可，不可部份複製。

This document is issued by the Company subject to its General Conditions of Service printed overleaf, available on request or accessible at [www.sgs.com/terms\\_and\\_conditions.htm](http://www.sgs.com/terms_and_conditions.htm) and for electronic format documents, subject to Terms and Conditions for Electronic Documents at [www.sgs.com/terms\\_e-document.htm](http://www.sgs.com/terms_e-document.htm). Attention is drawn to the limitation of liability, indemnification and jurisdiction issues defined therein. Any holder of this document is advised that information contained hereon reflects the Company's findings at the time of its intervention only and within the limits of Client's instructions, if any. The Company's sole responsibility is to its Client and this document does not exonerate parties to a transaction from exercising all their rights and obligations under the transaction documents. This document cannot be reproduced except in full, without prior written approval of the Company. Any unauthorized alteration, forgery or falsification of the content or appearance of this document is unlawful and offenders may be prosecuted to the fullest extent of the law.





## 2.4. Test of Conducted Emission

### 2.4.1 Test Equipments

| SGS Conducted_Emission HWAYA Conducted Room No.A EMC   |                      |                         |               |                  |                 |
|--|----------------------|-------------------------|---------------|------------------|-----------------|
| EQUIPMENT TYPE   | Manufacturer         | Model Number            | Serial Number | Calibration Date | Calibration Due |
| EMI Test Receiver  | R&S                  | ESCI 3                  | 101311        | 2017/6/23        | 2018/6/22       |
| Coaxial Cables   | EMC Instruments Corp | EMCRG58-BM-BM-3000      | 160812        | 2016/8/30        | 2017/8/29       |
| LISN   | SCHWARZBECK          | NSLK 8127               | 8127-648      | 2017/6/18        | 2018/6/17       |
| Pulse Limiter  | Narda S.T.S.         | PMM PL01                | 1110X30602    | 2016/8/12        | 2017/8/11       |
| LISN   | FCC                  | FCC-LISN-50/250-25-2-01 | 4034          | 2017/3/19        | 2018/3/18       |
| Universal Digital Radio Communication Tester   | R&S                  | CMU 200                 | 122498        | 2016/11/9        | 2017/11/8       |
| Wideband Radio Communication Tester  | R&S                  | CMW 500                 | 152303        | 2017/2/23        | 2018/2/22       |
| Test S/W   | Farad                | EZ-EMC                  | Ver. SGS-03A2 | N.C.R.           | N.C.R.          |
| SGS Taiwan LTD. Electronics & Communication Laboratory<br>No.2, Keji 1st Rd., Guishan Dist., Taoyuan City 333, Taiwan (R.O.C.)<br>Measurement Uncertainty of Conducted Emission<br>Expanded uncertainty (K=2) of conducted emission is 2.25 dB |                      |                         |               |                  |                 |

### 2.4.2 Operating Environment

Temperature : 24 degree C

Humidity : 64 %RH

Atmospheric Pressure : 992 mBar

### 2.4.3 Measurement Level Calculation

Factor = LISN insertion loss + Cable loss+ Pulse Limiter Insertion Loss

Measurement Level = Reading Level + Factor

Over (Margin) = Measurement Level – Limit

Unless otherwise stated the results shown in this test report refer only to the sample(s) tested and such sample(s) are retained for 90 days only.

除非另有說明，此報告結果僅對測試之樣品負責，同時此樣品僅保留90天。本報告未經本公司書面許可，不可部份複製。

This document is issued by the Company subject to its General Conditions of Service printed overleaf, available on request or accessible at [www.sgs.com/terms\\_and\\_conditions.htm](http://www.sgs.com/terms_and_conditions.htm) and for electronic format documents, subject to Terms and Conditions for Electronic Documents at [www.sgs.com/terms\\_e-document.htm](http://www.sgs.com/terms_e-document.htm). Attention is drawn to the limitation of liability, indemnification and jurisdiction issues defined therein. Any holder of this document is advised that information contained hereon reflects the Company's findings at the time of its intervention only and within the limits of Client's instructions, if any. The Company's sole responsibility is to its Client and this document does not exonerate parties to a transaction from exercising all their rights and obligations under the transaction documents. This document cannot be reproduced except in full, without prior written approval of the Company. Any unauthorized alteration, forgery or falsification of the content or appearance of this document is unlawful and offenders may be prosecuted to the fullest extent of the law.



2.4.4 Measurement Data:

Mode\_8\_L

|                                   |                     |                    |
|-----------------------------------|---------------------|--------------------|
| Site : Conduction Room            | Phase: L1           | Temperature: 24 °C |
| Limit: FCC Class B Conduction(QP) | Power: AC 120V/60Hz | Humidity: 64 %     |
| Mode: Mode_8                      |                     |                    |
| Note:                             |                     |                    |

Conducted Emission



| No. | Mk. | Freq.  | Reading Level | Correct Factor | Measurement | Limit | Over   | Detector | Comment |
|-----|-----|--------|---------------|----------------|-------------|-------|--------|----------|---------|
|     |     | MHz    | dBuV          | dB             | dBuV        | dBuV  | dB     |          |         |
| 1   |     | 0.1620 | 45.60         | 0.34           | 45.94       | 65.36 | -19.42 | QP       |         |
| 2   |     | 0.1620 | 24.22         | 0.34           | 24.56       | 55.36 | -30.80 | AVG      |         |
| 3   |     | 0.1860 | 37.40         | 0.33           | 37.73       | 64.21 | -26.48 | QP       |         |
| 4   |     | 0.1860 | 21.20         | 0.33           | 21.53       | 54.21 | -32.68 | AVG      |         |
| 5   |     | 0.3580 | 40.80         | 0.34           | 41.14       | 58.77 | -17.63 | QP       |         |
| 6 * |     | 0.3580 | 38.40         | 0.34           | 38.74       | 48.77 | -10.03 | AVG      |         |
| 7   |     | 2.5660 | 29.20         | 0.48           | 29.68       | 56.00 | -26.32 | QP       |         |
| 8   |     | 2.5660 | 18.30         | 0.48           | 18.78       | 46.00 | -27.22 | AVG      |         |
| 9   |     | 2.8500 | 27.01         | 0.50           | 27.51       | 56.00 | -28.49 | QP       |         |
| 10  |     | 2.8500 | 15.58         | 0.50           | 16.08       | 46.00 | -29.92 | AVG      |         |
| 11  |     | 3.4460 | 25.80         | 0.54           | 26.34       | 56.00 | -29.66 | QP       |         |
| 12  |     | 3.4460 | 12.80         | 0.54           | 13.34       | 46.00 | -32.66 | AVG      |         |

\*:Maximum data x:Over limit !:over margin

Unless otherwise stated the results shown in this test report refer only to the sample(s) tested and such sample(s) are retained for 90 days only.

除非另有說明，此報告結果僅對測試之樣品負責，同時此樣品僅保留90天。本報告未經本公司書面許可，不可部份複製。

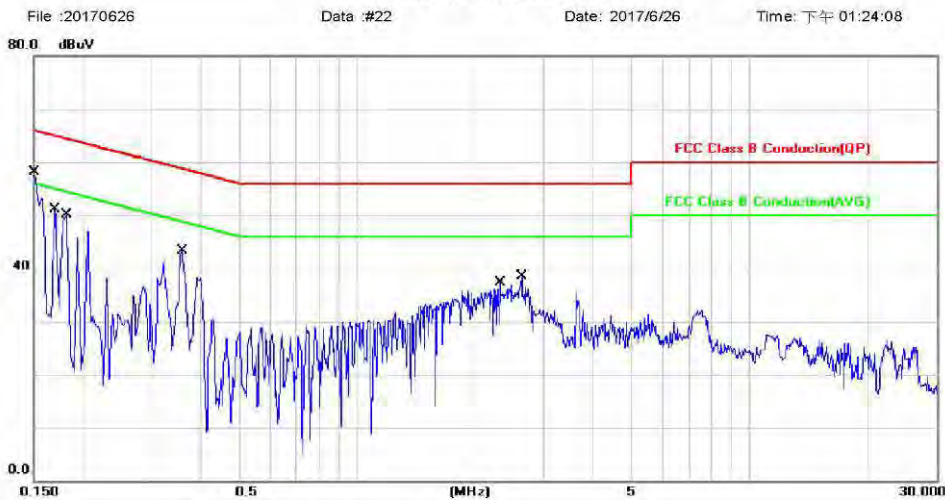
This document is issued by the Company subject to its General Conditions of Service printed overleaf, available on request or accessible at [www.sgs.com/terms\\_and\\_conditions.htm](http://www.sgs.com/terms_and_conditions.htm) and for electronic format documents, subject to Terms and Conditions for Electronic Documents at [www.sgs.com/terms\\_e-document.htm](http://www.sgs.com/terms_e-document.htm). Attention is drawn to the limitation of liability, indemnification and jurisdiction issues defined therein. Any holder of this document is advised that information contained hereon reflects the Company's findings at the time of its intervention only and within the limits of Client's instructions, if any. The Company's sole responsibility is to its Client and this document does not exonerate parties to a transaction from exercising all their rights and obligations under the transaction documents. This document cannot be reproduced except in full, without prior written approval of the Company. Any unauthorized alteration, forgery or falsification of the content or appearance of this document is unlawful and offenders may be prosecuted to the fullest extent of the law.



Mode\_8\_N

Site : Conduction Room Phase: N Temperature: 24 °C  
 Limit: FCC Class B Conduction(QP) Power: AC 120V/60Hz Humidity: 64 %  
 Mode: Mode\_8  
 Note:

Conducted Emission



| No. | Mk. | Freq.  | Reading Level | Correct Factor | Measurement | Limit | Over   | Detector | Comment |
|-----|-----|--------|---------------|----------------|-------------|-------|--------|----------|---------|
|     |     | MHz    | dBuV          | dB             | dBuV        | dBuV  | dB     |          |         |
| 1   |     | 0.1500 | 44.86         | 0.42           | 45.28       | 66.00 | -20.72 | QP       |         |
| 2   |     | 0.1500 | 26.61         | 0.42           | 27.03       | 56.00 | -28.97 | AVG      |         |
| 3   |     | 0.1700 | 38.20         | 0.42           | 38.62       | 64.96 | -26.34 | QP       |         |
| 4   |     | 0.1700 | 26.80         | 0.42           | 27.22       | 54.96 | -27.74 | AVG      |         |
| 5   |     | 0.1820 | 35.17         | 0.41           | 35.58       | 64.39 | -28.81 | QP       |         |
| 6   |     | 0.1820 | 25.12         | 0.41           | 25.53       | 54.39 | -28.86 | AVG      |         |
| 7   |     | 0.3580 | 41.36         | 0.42           | 41.78       | 58.77 | -16.99 | QP       |         |
| 8 * |     | 0.3580 | 39.30         | 0.42           | 39.72       | 48.77 | -9.05  | AVG      |         |
| 9   |     | 2.3140 | 31.60         | 0.45           | 32.05       | 56.00 | -23.95 | QP       |         |
| 10  |     | 2.3140 | 21.19         | 0.45           | 21.64       | 46.00 | -24.36 | AVG      |         |
| 11  |     | 2.6340 | 30.46         | 0.46           | 30.92       | 56.00 | -25.08 | QP       |         |
| 12  |     | 2.6340 | 19.50         | 0.46           | 19.96       | 46.00 | -26.04 | AVG      |         |

\*:Maximum data x:Over limit !:over margin

File :20170626\Data #22

Page: 1

Unless otherwise stated the results shown in this test report refer only to the sample(s) tested and such sample(s) are retained for 90 days only.

除非另有說明，此報告結果僅對測試之樣品負責，同時此樣品僅保留90天。本報告未經本公司書面許可，不可部份複製。

This document is issued by the Company subject to its General Conditions of Service printed overleaf, available on request or accessible at [www.sgs.com/terms\\_and\\_conditions.htm](http://www.sgs.com/terms_and_conditions.htm) and for electronic format documents, subject to Terms and Conditions for Electronic Documents at [www.sgs.com/terms\\_e-document.htm](http://www.sgs.com/terms_e-document.htm). Attention is drawn to the limitation of liability, indemnification and jurisdiction issues defined therein. Any holder of this document is advised that information contained hereon reflects the Company's findings at the time of its intervention only and within the limits of Client's instructions, if any. The Company's sole responsibility is to its Client and this document does not exonerate parties to a transaction from exercising all their rights and obligations under the transaction documents. This document cannot be reproduced except in full, without prior written approval of the Company. Any unauthorized alteration, forgery or falsification of the content or appearance of this document is unlawful and offenders may be prosecuted to the fullest extent of the law.



## 2.5 Test of Radiated Emission

### 2.5.1 Test Equipments

#### Below 1GHz

| SGS Radiated_Below_1GHz HWAYA 10m_EMC        |                       |                 |               |                  |                 |
|--|-----------------------|-----------------|---------------|------------------|-----------------|
| EQUIPMENT TYPE                               | Manufacturer          | Model Number    | Serial Number | Calibration Date | Calibration Due |
| EMI Test Receiver                            | R&S                   | ESCI 7          | 100924        | 2016/9/30        | 2017/9/29       |
| EMI Test Receiver                            | R&S                   | ESCI 3          | 101343        | 2016/12/21       | 2017/12/20      |
| Broadband Antenna                            | SCHWAZBECK            | VULB9168        | 9168-628      | 2016/9/22        | 2017/9/21       |
| Broadband Antenna                            | SCHWAZBECK            | VULB9168        | 9168-629      | 2016/9/22        | 2017/9/21       |
| Pre Amplifier                                | EMC Instruments Corp. | EMC330          | 980178        | 2017/3/31        | 2018/3/30       |
| Pre Amplifier                                | EMC Instruments Corp. | EMC330          | 980179        | 2017/3/31        | 2018/3/30       |
| Coaxial Cable                                | EMC Instruments       | EMCCFD400-NM-NM | 150917        | 2016/9/18        | 2017/9/17       |
| Coaxial Cable                                | EMC Instruments       | EMCCFD400-NM-NM | 150919        | 2016/9/18        | 2017/9/17       |
| Coaxial Cable                                | EMC Instruments       | EMCCFD400-NM-NM | 150820        | 2016/9/18        | 2017/9/17       |
| Coaxial Cable                                | EMC Instruments       | EMCCFD400-NM-NM | 150918        | 2016/9/18        | 2017/9/17       |
| Coaxial Cable                                | EMC Instruments       | EMCCFD400-NM-NM | 150821        | 2016/9/18        | 2017/9/17       |
| Coaxial Cable                                | EMC Instruments       | EMCCFD400-NM-NM | 150822        | 2016/9/18        | 2017/9/17       |
| Universal Digital Radio Communication Tester | R&S                   | CMU 200         | 122498        | 2016/11/9        | 2017/11/8       |
| Wideband Radio Communication Tester          | R&S                   | CMW 500         | 152303        | 2017/2/23        | 2018/2/22       |
| Controller                                   | MF                    | MF-7802         | N/A           | N.C.R.           | N.C.R.          |
| Controller                                   | MF                    | MF-7802         | N/A           | N.C.R.           | N.C.R.          |
| Antenna Master                               | MF                    | N/A             | N/A           | N.C.R.           | N.C.R.          |
| Antenna Master                               | MF                    | N/A             | N/A           | N.C.R.           | N.C.R.          |
| Antenna Master                               | MF                    | N/A             | N/A           | N.C.R.           | N.C.R.          |
| Turn Table                                   | MF                    | N/A             | N/A           | N.C.R.           | N.C.R.          |
| Site NSA                                     | Chance Most           | 10M Chamber     | 10M SAC       | 2016/12/31       | 2017/12/31      |
| Test S/W                                     | Farad                 | EZ-EMC          | Ver. SGS-03A2 | N.C.R.           | N.C.R.          |

SGS Taiwan LTD. Electronics & Communication Laboratory  
 No.2, Keji 1st Rd., Guishan Dist., Taoyuan City 333, Taiwan (R.O.C.)  
 Measurement Uncertainty of Radiated Emission  
 Expanded uncertainty of radiated emission is 4.09 dB. (30MHz ~ 1000MHz)

Unless otherwise stated the results shown in this test report refer only to the sample(s) tested and such sample(s) are retained for 90 days only.

除非另有說明，此報告結果僅對測試之樣品負責，同時此樣品僅保留90天。本報告未經本公司書面許可，不可部份複製。

This document is issued by the Company subject to its General Conditions of Service printed overleaf, available on request or accessible at [www.sgs.com/terms\\_and\\_conditions.htm](http://www.sgs.com/terms_and_conditions.htm) and for electronic format documents, subject to Terms and Conditions for Electronic Documents at [www.sgs.com/terms\\_e-document.htm](http://www.sgs.com/terms_e-document.htm). Attention is drawn to the limitation of liability, indemnification and jurisdiction issues defined therein. Any holder of this document is advised that information contained hereon reflects the Company's findings at the time of its intervention only and within the limits of Client's instructions, if any. The Company's sole responsibility is to its Client and this document does not exonerate parties to a transaction from exercising all their rights and obligations under the transaction documents. This document cannot be reproduced except in full, without prior written approval of the Company. Any unauthorized alteration, forgery or falsification of the content or appearance of this document is unlawful and offenders may be prosecuted to the fullest extent of the law.

SGS Taiwan Ltd.

No.134,Wu Kung Road, New Taipei Industrial Park, Wuku District, New Taipei City, Taiwan 24803/新北市五股區新北產業園區五工路 134 號

台灣檢驗科技股份有限公司

t (886-2) 2299-3279

f (886-2) 2298-0488

www.tw.sgs.com

Member of SGS Group





## Above 1GHz

| SGS Radiated_Above_1GHz HWAYA 966A EMC  |                       |                  |               |                  |                 |
|---|-----------------------|------------------|---------------|------------------|-----------------|
| EQUIPMENT TYPE  | Manufacturer          | Model Number     | Serial Number | Calibration Date | Calibration Due |
| Spectrum Analyzer   | R&S                   | FSV 40           | 101419        | 2017/3/1         | 2018/2/28       |
| EMI Test Receiver   | R&S                   | ESR 7            | 101459        | 2017/2/17        | 2018/2/16       |
| Horn Antenna  | SCHWARZBECK           | BBHA9120D        | BBHA9120D673  | 2016/10/14       | 2017/10/13      |
| Pre Amplifier   | EMC Instruments Corp. | EMC012645B       | 980216        | 2017/4/25        | 2018/4/24       |
| Coaxial Cable   | JUNFLOW               | MWX221-NMSNMS    | J0778929      | 2017/4/23        | 2018/4/22       |
| Coaxial Cable   | Huber+Suhner          | SUCCOFLEX 104PEA | 30255/4PEA    | 2017/4/23        | 2018/4/22       |
| Coaxial Cable   | EMC Instruments       | EMC104-SM-SM     | 140927        | 2017/4/23        | 2018/4/22       |
| Coaxial Cable   | Huber+Suhner          | SUCOFLEX 102     | MY 2152/2     | 2017/6/5         | 2018/6/4        |
| Coaxial Cable   | Huber+Suhner          | SUCOFLEX 102     | MY 2153/2     | 2017/6/5         | 2018/6/4        |
| Universal Digital Radio Communication Tester  | R&S                   | CMU 200          | 122498        | 2016/11/9        | 2017/11/8       |
| Wideband Radio Communication Tester   | R&S                   | CMW 500          | 152303        | 2017/2/23        | 2018/2/22       |
| Controller  | MF                    | MF-7802          | N.C.R.        | N.C.R.           | N.C.R.          |
| Antenna Master  | MF                    | N/A              | N/A           | N.C.R.           | N.C.R.          |
| Turn Table  | MF                    | N/A              | N/A           | N.C.R.           | N.C.R.          |
| Site VSWR   | SGS                   | 966 Chamber A    | SAC-A         | 2017/1/12        | 2018/1/11       |
| Test S/W  | Farad                 | EZ-EMC           | Ver. SGS-03A2 | N.C.R.           | N.C.R.          |
| SGS Taiwan LTD. Electronics & Communication Laboratory<br>No.2, Keji 1st Rd., Guishan Dist., Taoyuan City 333, Taiwan (R.O.C.)<br>Measurement Uncertainty of Radiated Emission<br>Expanded uncertainty (k=2) of radiated emission measurement is 5.05 dB. (1-6GHz)<br>Expanded uncertainty (k=2) of radiated emission measurement is 5.07 dB. (6-18GHz)<br>Expanded uncertainty (k=2) of radiated emission measurement is 5.19 dB. (18-26GHz)<br>Expanded uncertainty (k=2) of radiated emission measurement is 5.14 dB. (26-40GHz) |                       |                  |               |                  |                 |

Unless otherwise stated the results shown in this test report refer only to the sample(s) tested and such sample(s) are retained for 90 days only.

除非另有說明，此報告結果僅對測試之樣品負責，同時此樣品僅保留90天。本報告未經本公司書面許可，不可部份複製。

This document is issued by the Company subject to its General Conditions of Service printed overleaf, available on request or accessible at [www.sgs.com/terms\\_and\\_conditions.htm](http://www.sgs.com/terms_and_conditions.htm) and for electronic format documents, subject to Terms and Conditions for Electronic Documents at [www.sgs.com/terms\\_e-document.htm](http://www.sgs.com/terms_e-document.htm). Attention is drawn to the limitation of liability, indemnification and jurisdiction issues defined therein. Any holder of this document is advised that information contained hereon reflects the Company's findings at the time of its intervention only and within the limits of Client's instructions, if any. The Company's sole responsibility is to its Client and this document does not exonerate parties to a transaction from exercising all their rights and obligations under the transaction documents. This document cannot be reproduced except in full, without prior written approval of the Company. Any unauthorized alteration, forgery or falsification of the content or appearance of this document is unlawful and offenders may be prosecuted to the fullest extent of the law.

SGS Taiwan Ltd.

No.134,Wu Kung Road, New Taipei Industrial Park, Wuku District, New Taipei City, Taiwan 24803/新北市五股區新北產業園區五工路 134 號

台灣檢驗科技股份有限公司

t (886-2) 2299-3279

f (886-2) 2298-0488

www.tw.sgs.com

Member of SGS Group



### 2.5.2 Operating Environment

Temperature : 22 degree C

Humidity : 85 %RH

Atmospheric Pressure : 996 mBar

### 2.5.3 Measurement Level Calculation

Correction Factor = Antenna Factor + Cable loss- Amplifier Gain

Measurement Level = Reading Level + Correction Factor

Over (Margin) = Measurement Level – Limit

Unless otherwise stated the results shown in this test report refer only to the sample(s) tested and such sample(s) are retained for 90 days only.

除非另有說明，此報告結果僅對測試之樣品負責，同時此樣品僅保留90天。本報告未經本公司書面許可，不可部份複製。

This document is issued by the Company subject to its General Conditions of Service printed overleaf, available on request or accessible at [www.sgs.com/terms\\_and\\_conditions.htm](http://www.sgs.com/terms_and_conditions.htm) and for electronic format documents, subject to Terms and Conditions for Electronic Documents at [www.sgs.com/terms\\_e-document.htm](http://www.sgs.com/terms_e-document.htm). Attention is drawn to the limitation of liability, indemnification and jurisdiction issues defined therein. Any holder of this document is advised that information contained hereon reflects the Company's findings at the time of its intervention only and within the limits of Client's instructions, if any. The Company's sole responsibility is to its Client and this document does not exonerate parties to a transaction from exercising all their rights and obligations under the transaction documents. This document cannot be reproduced except in full, without prior written approval of the Company. Any unauthorized alteration, forgery or falsification of the content or appearance of this document is unlawful and offenders may be prosecuted to the fullest extent of the law.

SGS Taiwan Ltd.

No.134,Wu Kung Road, New Taipei Industrial Park, Wuku District, New Taipei City, Taiwan 24803/新北市五股區新北產業園區五工路 134 號

台灣檢驗科技股份有限公司

t (886-2) 2299-3279

f (886-2) 2298-0488

[www.tw.sgs.com](http://www.tw.sgs.com)

Member of SGS Group



2.5.4 Measurement Data

Below 1GHz

Model No.:TA-1007

Mode\_8\_H

|                                      |                                 |                    |
|--------------------------------------|---------------------------------|--------------------|
| Site: SGS 10m Chamber                | Polarization: <b>Horizontal</b> | Temperature: 22 °C |
| Limit: CISPR22 Class B 10M Radiation | Power: From System              | Humidity: 85 %     |
| Mode: Mode_8                         | Distance: 10m                   |                    |
| Note:                                |                                 |                    |

Radiated Emission



| No. | Mk. | Freq. MHz | Reading Level dBuV | Correct Factor dB | Measurement dBuV/m | Limit dBuV/m | Over dB | Detector | Comment |
|-----|-----|-----------|--------------------|-------------------|--------------------|--------------|---------|----------|---------|
| 1   |     | 51.1400   | 25.39              | -11.49            | 13.90              | 30.00        | -16.10  | QP       |         |
| 2   |     | 162.7700  | 25.89              | -11.69            | 14.20              | 30.00        | -15.80  | QP       |         |
| 3   |     | 782.5600  | 24.97              | -0.57             | 24.40              | 37.00        | -12.60  | QP       |         |
| 4 * |     | 940.6100  | 25.11              | 1.69              | 26.80              | 37.00        | -10.20  | QP       |         |
| 5   |     | 965.4400  | 24.93              | 1.87              | 26.80              | 37.00        | -10.20  | QP       |         |
| 6   |     | 987.9100  | 23.67              | 1.83              | 25.50              | 37.00        | -11.50  | QP       |         |

\*:Maximum data    x:Over limit    !:over margin

File :60163\Data :#4

Page: 1

Unless otherwise stated the results shown in this test report refer only to the sample(s) tested and such sample(s) are retained for 90 days only.

除非另有說明，此報告結果僅對測試之樣品負責，同時此樣品僅保留90天。本報告未經本公司書面許可，不可部份複製。

This document is issued by the Company subject to its General Conditions of Service printed overleaf, available on request or accessible at [www.sgs.com/terms\\_and\\_conditions.htm](http://www.sgs.com/terms_and_conditions.htm) and for electronic format documents, subject to Terms and Conditions for Electronic Documents at [www.sgs.com/terms\\_e-document.htm](http://www.sgs.com/terms_e-document.htm). Attention is drawn to the limitation of liability, indemnification and jurisdiction issues defined therein. Any holder of this document is advised that information contained hereon reflects the Company's findings at the time of its intervention only and within the limits of Client's instructions, if any. The Company's sole responsibility is to its Client and this document does not exonerate parties to a transaction from exercising all their rights and obligations under the transaction documents. This document cannot be reproduced except in full, without prior written approval of the Company. Any unauthorized alteration, forgery or falsification of the content or appearance of this document is unlawful and offenders may be prosecuted to the fullest extent of the law.



Mode\_8\_V

Site: SGS 10m Chamber      Polarization: **Vertical**      Temperature: 23 °C  
 Limit: CISPR22 Class B 10M Radiation      Power: From System      Humidity: 84 %  
 Mode: Mode\_8      Distance: 10m  
 Note:

Radiated Emission



| No. | Mk. | Freq. MHz | Reading Level dBuV | Correct Factor dB | Measurement dBuV/m | Limit dBuV/m | Over dB | Detector | Comment |
|-----|-----|-----------|--------------------|-------------------|--------------------|--------------|---------|----------|---------|
| 1   |     | 41.4600   | 25.67              | -11.37            | 14.30              | 30.00        | -15.70  | QP       |         |
| 2   |     | 156.9100  | 25.24              | -11.44            | 13.80              | 30.00        | -16.20  | QP       |         |
| 3   |     | 226.5900  | 31.30              | -14.20            | 17.10              | 30.00        | -12.90  | QP       |         |
| 4   |     | 909.9100  | 24.24              | 1.06              | 25.30              | 37.00        | -11.70  | QP       |         |
| 5   |     | 955.1800  | 24.54              | 1.36              | 25.90              | 37.00        | -11.10  | QP       |         |
| 6   | *   | 998.8500  | 24.51              | 1.89              | 26.40              | 37.00        | -10.60  | QP       |         |

\*: Maximum data    x: Over limit    !: over margin

File :60163\Data :#3

Page: 1

Unless otherwise stated the results shown in this test report refer only to the sample(s) tested and such sample(s) are retained for 90 days only.

除非另有說明，此報告結果僅對測試之樣品負責，同時此樣品僅保留90天。本報告未經本公司書面許可，不可部份複製。

This document is issued by the Company subject to its General Conditions of Service printed overleaf, available on request or accessible at [www.sgs.com/terms\\_and\\_conditions.htm](http://www.sgs.com/terms_and_conditions.htm) and for electronic format documents, subject to Terms and Conditions for Electronic Documents at [www.sgs.com/terms\\_e-document.htm](http://www.sgs.com/terms_e-document.htm). Attention is drawn to the limitation of liability, indemnification and jurisdiction issues defined therein. Any holder of this document is advised that information contained hereon reflects the Company's findings at the time of its intervention only and within the limits of Client's instructions, if any. The Company's sole responsibility is to its Client and this document does not exonerate parties to a transaction from exercising all their rights and obligations under the transaction documents. This document cannot be reproduced except in full, without prior written approval of the Company. Any unauthorized alteration, forgery or falsification of the content or appearance of this document is unlawful and offenders may be prosecuted to the fullest extent of the law.





Above 1GHz

Model No.:TA-1007

Mode\_8\_H

Site SGS 966 Chamber A  
 Limit: FCC Class B 3M Radiation(1G-40G)(Pea  
 Mode: Mode\_8  
 Note:  
 Polarization: *Horizontal*  
 Power: From system  
 Distance:  
 Temperature: 18 °C  
 Humidity: 59 %

Radiated Emission



| No. | Mk. | Freq.    | Reading Level | Correct Factor | Measurement | Limit  | Over   | Detector | Comment |
|-----|-----|----------|---------------|----------------|-------------|--------|--------|----------|---------|
|     |     | MHz      | dBuV          | dB             | dBuV/m      | dBuV/m | dB     |          |         |
| 1   |     | 1068.000 | 63.89         | -22.33         | 41.56       | 74.00  | -32.44 | peak     |         |
| 2   |     | 1595.000 | 63.50         | -19.49         | 44.01       | 74.00  | -29.99 | peak     |         |
| 3   |     | 4247.000 | 58.23         | -9.30          | 48.93       | 74.00  | -25.07 | peak     |         |
| 4   |     | 4995.000 | 57.23         | -7.22          | 50.01       | 74.00  | -23.99 | peak     |         |
| 5   |     | 5318.000 | 57.73         | -6.83          | 50.90       | 74.00  | -23.10 | peak     |         |
| 6   | *   | 5811.000 | 56.84         | -5.91          | 50.93       | 74.00  | -23.07 | peak     |         |

\*:Maximum data x:Over limit !:over margin

File :E1-20107-60163\Data :#4

Page: 1

Unless otherwise stated the results shown in this test report refer only to the sample(s) tested and such sample(s) are retained for 90 days only.

除非另有說明，此報告結果僅對測試之樣品負責，同時此樣品僅保留90天。本報告未經本公司書面許可，不可部份複製。

This document is issued by the Company subject to its General Conditions of Service printed overleaf, available on request or accessible at [www.sgs.com/terms\\_and\\_conditions.htm](http://www.sgs.com/terms_and_conditions.htm) and for electronic format documents, subject to Terms and Conditions for Electronic Documents at [www.sgs.com/terms\\_e-document.htm](http://www.sgs.com/terms_e-document.htm). Attention is drawn to the limitation of liability, indemnification and jurisdiction issues defined therein. Any holder of this document is advised that information contained hereon reflects the Company's findings at the time of its intervention only and within the limits of Client's instructions, if any. The Company's sole responsibility is to its Client and this document does not exonerate parties to a transaction from exercising all their rights and obligations under the transaction documents. This document cannot be reproduced except in full, without prior written approval of the Company. Any unauthorized alteration, forgery or falsification of the content or appearance of this document is unlawful and offenders may be prosecuted to the fullest extent of the law.

Mode\_8\_V

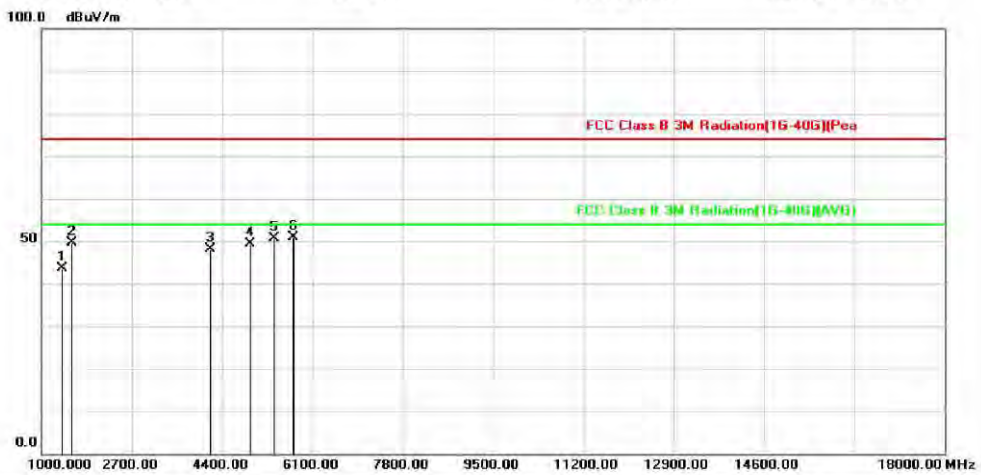
Site: SGS 966 Chamber A  
 Limit: FCC Class B 3M Radiation(1G-40G)(Pea)  
 Mode: Mode\_8  
 Note:

Polarization: **Vertical**  
 Power: From system  
 Distance:

Temperature: 18 °C  
 Humidity: 59 %

Radiated Emission

File :E1-20107-60163 Data :#3 Date: 2017/7/5 Time: 下午 11:39:22



| No. | Mk. | Freq.    | Reading Level | Correct Factor | Measurement | Limit  | Over   | Detector | Comment |
|-----|-----|----------|---------------|----------------|-------------|--------|--------|----------|---------|
|     |     | MHz      | dBuV          | dB             | dBuV/m      | dBuV/m | dB     |          |         |
| 1   |     | 1391.000 | 64.12         | -20.59         | 43.53       | 74.00  | -30.47 | peak     |         |
| 2   |     | 1578.000 | 69.32         | -19.58         | 49.74       | 74.00  | -24.26 | peak     |         |
| 3   |     | 4179.000 | 57.40         | -9.33          | 48.07       | 74.00  | -25.93 | peak     |         |
| 4   |     | 4927.000 | 56.80         | -7.48          | 49.32       | 74.00  | -24.68 | peak     |         |
| 5   |     | 5386.000 | 57.29         | -6.73          | 50.56       | 74.00  | -23.44 | peak     |         |
| 6 * |     | 5743.000 | 56.98         | -6.07          | 50.91       | 74.00  | -23.09 | peak     |         |

\*:Maximum data x:Over limit !:over margin

File :E1-20107-60163\Data :#3

Page: 1

Unless otherwise stated the results shown in this test report refer only to the sample(s) tested and such sample(s) are retained for 90 days only.

除非另有說明，此報告結果僅對測試之樣品負責，同時此樣品僅保留90天。本報告未經本公司書面許可，不可部份複製。

This document is issued by the Company subject to its General Conditions of Service printed overleaf, available on request or accessible at [www.sgs.com/terms\\_and\\_conditions.htm](http://www.sgs.com/terms_and_conditions.htm) and for electronic format documents, subject to Terms and Conditions for Electronic Documents at [www.sgs.com/terms\\_e-document.htm](http://www.sgs.com/terms_e-document.htm). Attention is drawn to the limitation of liability, indemnification and jurisdiction issues defined therein. Any holder of this document is advised that information contained hereon reflects the Company's findings at the time of its intervention only and within the limits of Client's instructions, if any. The Company's sole responsibility is to its Client and this document does not exonerate parties to a transaction from exercising all their rights and obligations under the transaction documents. This document cannot be reproduced except in full, without prior written approval of the Company. Any unauthorized alteration, forgery or falsification of the content or appearance of this document is unlawful and offenders may be prosecuted to the fullest extent of the law.



Below 1GHz

Model No.:TA-1029

Mode\_8\_H

Site: SGS 10m Chamber  
 Limit: CISPR22 Class B 10M Radiation  
 Mode: Mode\_8  
 Note:

Polarization: **Horizontal**  
 Power: From System  
 Distance:

Temperature: 21 ℃  
 Humidity: 85 %

Radiated Emission



| No. | Mk. | Freq.<br>MHz | Reading<br>Level<br>dBuV | Correct<br>Factor<br>dB | Measure-<br>ment<br>dBuV/m | Limit<br>dBuV/m | Over<br>dB | Detector | Comment |
|-----|-----|--------------|--------------------------|-------------------------|----------------------------|-----------------|------------|----------|---------|
| 1   |     | 54.0900      | 26.13                    | -11.73                  | 14.40                      | 30.00           | -15.60     | QP       |         |
| 2   |     | 148.4600     | 26.87                    | -11.97                  | 14.90                      | 30.00           | -15.10     | QP       |         |
| 3   |     | 746.0600     | 25.09                    | -0.99                   | 24.10                      | 37.00           | -12.90     | QP       |         |
| 4   |     | 879.9000     | 25.18                    | 0.52                    | 25.70                      | 37.00           | -11.30     | QP       |         |
| 5   |     | 940.9900     | 24.19                    | 1.71                    | 25.90                      | 37.00           | -11.10     | QP       |         |
| 6 * |     | 981.7500     | 25.06                    | 1.84                    | 26.90                      | 37.00           | -10.10     | QP       |         |

\*:Maximum data x:Over limit !:over margin

File :20170622\Data :#26

Page: 1

Unless otherwise stated the results shown in this test report refer only to the sample(s) tested and such sample(s) are retained for 90 days only.

除非另有說明，此報告結果僅對測試之樣品負責，同時此樣品僅保留90天。本報告未經本公司書面許可，不可部份複製。

This document is issued by the Company subject to its General Conditions of Service printed overleaf, available on request or accessible at [www.sgs.com/terms\\_and\\_conditions.htm](http://www.sgs.com/terms_and_conditions.htm) and for electronic format documents, subject to Terms and Conditions for Electronic Documents at [www.sgs.com/terms\\_e-document.htm](http://www.sgs.com/terms_e-document.htm). Attention is drawn to the limitation of liability, indemnification and jurisdiction issues defined therein. Any holder of this document is advised that information contained hereon reflects the Company's findings at the time of its intervention only and within the limits of Client's instructions, if any. The Company's sole responsibility is to its Client and this document does not exonerate parties to a transaction from exercising all their rights and obligations under the transaction documents. This document cannot be reproduced except in full, without prior written approval of the Company. Any unauthorized alteration, forgery or falsification of the content or appearance of this document is unlawful and offenders may be prosecuted to the fullest extent of the law.



Mode\_8\_V

Site: SGS 10m Chamber      Polarization: **Vertical**      Temperature: 21 °C  
 Limit: CISPR22 Class B 10M Radiation      Power: From System      Humidity: 85 %  
 Mode: Mode\_8      Distance:  
 Note:

Radiated Emission



| No. | Mk. | Freq. MHz | Reading Level dBuV | Correct Factor dB | Measurement dBuV/m | Limit dBuV/m | Over dB | Detector | Comment |
|-----|-----|-----------|--------------------|-------------------|--------------------|--------------|---------|----------|---------|
| 1   |     | 44.7500   | 25.17              | -11.07            | 14.10              | 30.00        | -15.90  | QP       |         |
| 2   | *   | 72.2300   | 34.76              | -14.16            | 20.60              | 30.00        | -9.40   | QP       |         |
| 3   |     | 163.7400  | 26.29              | -11.69            | 14.60              | 30.00        | -15.40  | QP       |         |
| 4   |     | 215.1900  | 30.29              | -14.59            | 15.70              | 30.00        | -14.30  | QP       |         |
| 5   |     | 952.7300  | 24.77              | 1.33              | 26.10              | 37.00        | -10.90  | QP       |         |
| 6   |     | 989.4900  | 24.72              | 1.78              | 26.50              | 37.00        | -10.50  | QP       |         |

\*:Maximum data    x:Over limit    !:over margin

File :20170622\Data :#25

Page: 1

Unless otherwise stated the results shown in this test report refer only to the sample(s) tested and such sample(s) are retained for 90 days only.

除非另有說明，此報告結果僅對測試之樣品負責，同時此樣品僅保留90天。本報告未經本公司書面許可，不可部份複製。

This document is issued by the Company subject to its General Conditions of Service printed overleaf, available on request or accessible at [www.sgs.com/terms\\_and\\_conditions.htm](http://www.sgs.com/terms_and_conditions.htm) and for electronic format documents, subject to Terms and Conditions for Electronic Documents at [www.sgs.com/terms\\_e-document.htm](http://www.sgs.com/terms_e-document.htm). Attention is drawn to the limitation of liability, indemnification and jurisdiction issues defined therein. Any holder of this document is advised that information contained hereon reflects the Company's findings at the time of its intervention only and within the limits of Client's instructions, if any. The Company's sole responsibility is to its Client and this document does not exonerate parties to a transaction from exercising all their rights and obligations under the transaction documents. This document cannot be reproduced except in full, without prior written approval of the Company. Any unauthorized alteration, forgery or falsification of the content or appearance of this document is unlawful and offenders may be prosecuted to the fullest extent of the law.



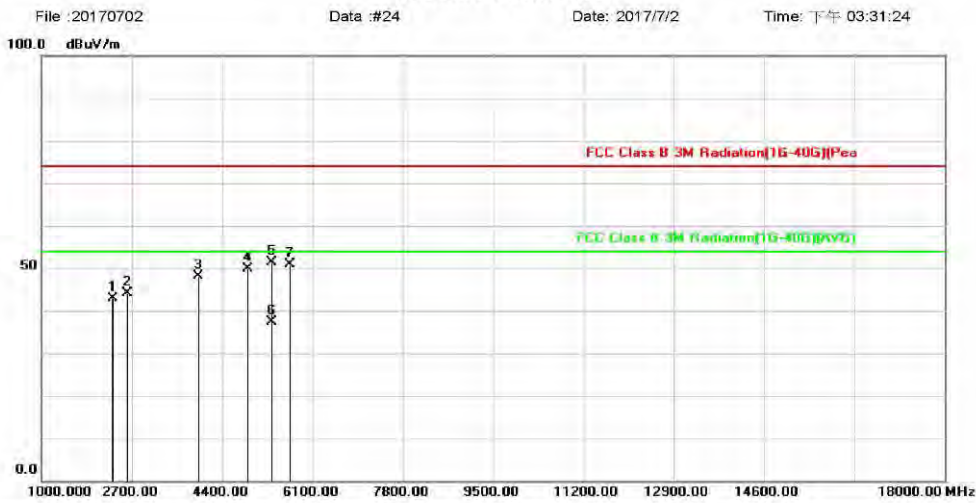
Above 1GHz

Model No.:TA-1029

Mode\_8\_H

|   |                                 |                    |
|---|---------------------------------|--------------------|
| Site: SGS 966 Chamber A                     | Polarization: <i>Horizontal</i> | Temperature: 18 °C |
| Limit: FCC Class B 3M Radiation(1G-40G)(Pea | Power: From System              | Humidity: 59 %     |
| Mode: Mode_8                                | Distance:                       |                    |
| Note:                                       |                                 |                    |

Radiated Emission



| No. | Mk. | Freq.    | Reading Level | Correct Factor | Measurement | Limit  | Over   | Detector | Comment |
|-----|-----|----------|---------------|----------------|-------------|--------|--------|----------|---------|
|     |     | MHz      | dBuV          | dB             | dBuV/m      | dBuV/m | dB     |          |         |
| 1   |     | 2343.000 | 58.48         | -15.49         | 42.99       | 74.00  | -31.01 | peak     |         |
| 2   |     | 2615.000 | 57.64         | -13.60         | 44.04       | 74.00  | -29.96 | peak     |         |
| 3   |     | 3958.000 | 57.78         | -9.57          | 48.21       | 74.00  | -25.79 | peak     |         |
| 4   |     | 4893.000 | 57.52         | -7.63          | 49.89       | 74.00  | -24.11 | peak     |         |
| 5   |     | 5335.000 | 58.09         | -6.79          | 51.30       | 74.00  | -22.70 | peak     |         |
| 6 * |     | 5335.000 | 44.21         | -6.79          | 37.42       | 54.00  | -16.58 | AVG      |         |
| 7   |     | 5675.000 | 57.01         | -6.21          | 50.80       | 74.00  | -23.20 | peak     |         |

\*:Maximum data    x:Over limit    !:over margin

Unless otherwise stated the results shown in this test report refer only to the sample(s) tested and such sample(s) are retained for 90 days only.

除非另有說明，此報告結果僅對測試之樣品負責，同時此樣品僅保留90天。本報告未經本公司書面許可，不可部份複製。

This document is issued by the Company subject to its General Conditions of Service printed overleaf, available on request or accessible at [www.sgs.com/terms\\_and\\_conditions.htm](http://www.sgs.com/terms_and_conditions.htm) and for electronic format documents, subject to Terms and Conditions for Electronic Documents at [www.sgs.com/terms\\_e-document.htm](http://www.sgs.com/terms_e-document.htm). Attention is drawn to the limitation of liability, indemnification and jurisdiction issues defined therein. Any holder of this document is advised that information contained hereon reflects the Company's findings at the time of its intervention only and within the limits of Client's instructions, if any. The Company's sole responsibility is to its Client and this document does not exonerate parties to a transaction from exercising all their rights and obligations under the transaction documents. This document cannot be reproduced except in full, without prior written approval of the Company. Any unauthorized alteration, forgery or falsification of the content or appearance of this document is unlawful and offenders may be prosecuted to the fullest extent of the law.

Mode\_8\_V

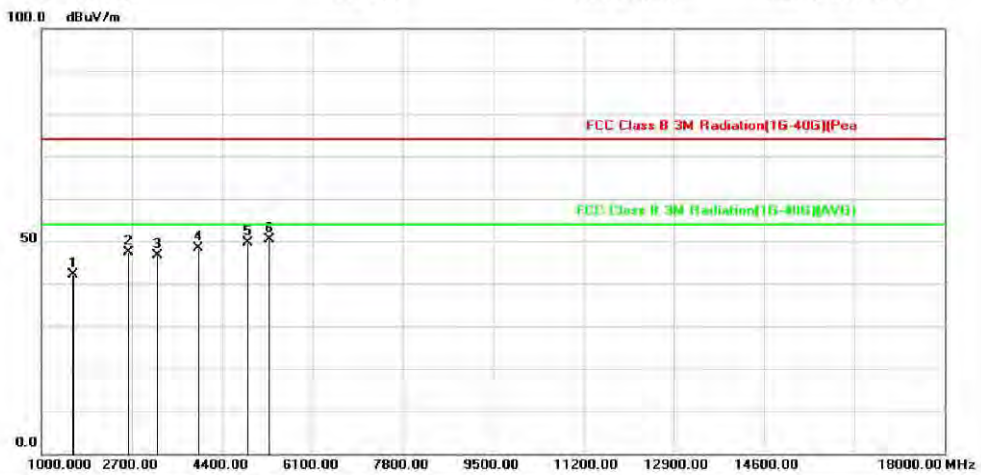
Site: SGS 966 Chamber A  
 Limit: FCC Class B 3M Radiation(1G-40G)(Pea)  
 Mode: Mode\_8  
 Note:

Polarization: **Vertical**  
 Power: From System  
 Distance:

Temperature: 18 °C  
 Humidity: 59 %

Radiated Emission

File :20170702 Data :#23 Date: 2017/7/2 Time: 下午 03:29:58



| No. | Mk. | Freq.    | Reading Level | Correct Factor | Measurement | Limit  | Over   | Detector | Comment |
|-----|-----|----------|---------------|----------------|-------------|--------|--------|----------|---------|
|     |     | MHz      | dBuV          | dB             | dBuV/m      | dBuV/m | dB     |          |         |
| 1   |     | 1595.000 | 61.53         | -19.49         | 42.04       | 74.00  | -31.96 | peak     |         |
| 2   |     | 2632.000 | 60.98         | -13.56         | 47.42       | 74.00  | -26.58 | peak     |         |
| 3   |     | 3193.000 | 58.90         | -12.36         | 46.54       | 74.00  | -27.46 | peak     |         |
| 4   |     | 3958.000 | 57.87         | -9.57          | 48.30       | 74.00  | -25.70 | peak     |         |
| 5   |     | 4876.000 | 57.40         | -7.68          | 49.72       | 74.00  | -24.28 | peak     |         |
| 6 * |     | 5301.000 | 57.13         | -6.84          | 50.29       | 74.00  | -23.71 | peak     |         |

\*: Maximum data x: Over limit !: over margin

File :20170702\Data :#23

Page: 1

**\*\* End of Report \*\***

Unless otherwise stated the results shown in this test report refer only to the sample(s) tested and such sample(s) are retained for 90 days only.

除非另有說明，此報告結果僅對測試之樣品負責，同時此樣品僅保留90天。本報告未經本公司書面許可，不可部份複製。

This document is issued by the Company subject to its General Conditions of Service printed overleaf, available on request or accessible at [www.sgs.com/terms\\_and\\_conditions.htm](http://www.sgs.com/terms_and_conditions.htm) and for electronic format documents, subject to Terms and Conditions for Electronic Documents at [www.sgs.com/terms\\_e-document.htm](http://www.sgs.com/terms_e-document.htm). Attention is drawn to the limitation of liability, indemnification and jurisdiction issues defined therein. Any holder of this document is advised that information contained hereon reflects the Company's findings at the time of its intervention only and within the limits of Client's instructions, if any. The Company's sole responsibility is to its Client and this document does not exonerate parties to a transaction from exercising all their rights and obligations under the transaction documents. This document cannot be reproduced except in full, without prior written approval of the Company. Any unauthorized alteration, forgery or falsification of the content or appearance of this document is unlawful and offenders may be prosecuted to the fullest extent of the law.