

Test Plot 1#: PTT_FM 12.5kHz_Face Up_435.0125 MHz**DUT: DMR Radio; Type: DM-1260; Serial: 18103105221**

Communication System: FM; Frequency: 435.012 MHz; Duty Cycle: 1:1

Medium parameters used: $f = 435.012$ MHz; $\sigma = 0.862$ S/m; $\epsilon_r = 44.649$; $\rho = 1000$ kg/m³

Phantom section: Flat Section

DASY5 Configuration:

- Probe: ES3DV2 - SN3019; ConvF(7.18, 7.18, 7.18); Calibrated: 2018/8/20;
- Sensor-Surface: 4mm (Mechanical Surface Detection)
- Electronics: DAE3 Sn494; Calibrated: 2017/11/15
- Phantom: ELI v8.0; Type: QDOVA004AA; Serial: 2051
- Measurement SW: DASY52, Version 52.8 (8);

Area Scan (61x141x1): Interpolated grid: dx=1.500 mm, dy=1.500 mm

Maximum value of SAR (interpolated) = 8.22 W/kg

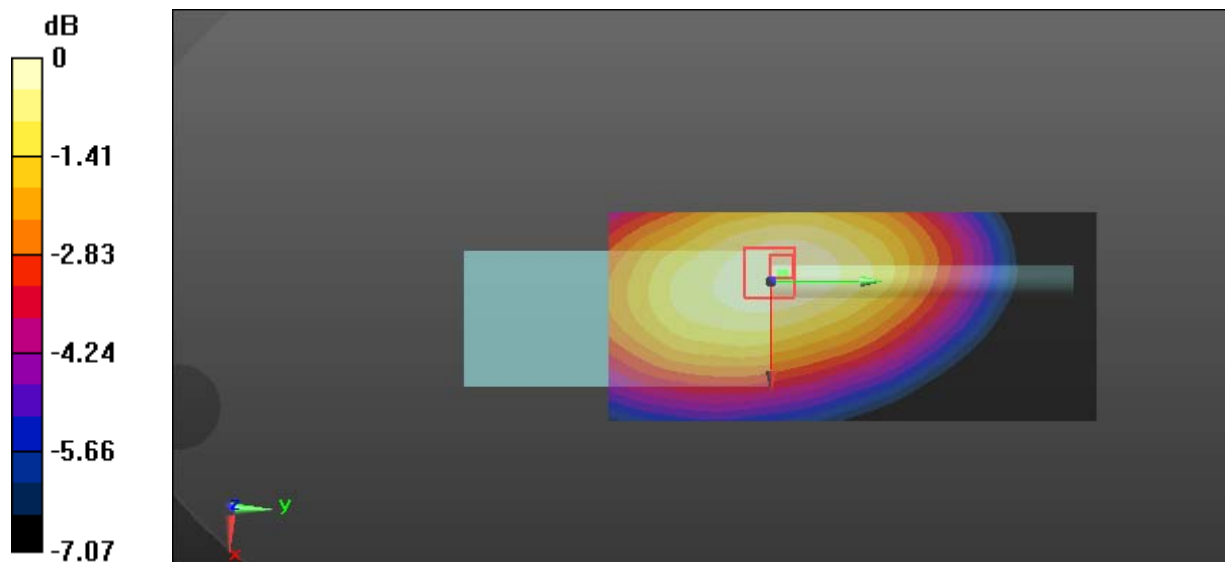
Zoom Scan (5x6x7)/Cube 0: Measurement grid: dx=8mm, dy=8mm, dz=5mm

Reference Value = 87.73 V/m; Power Drift = -0.11 dB

Peak SAR (extrapolated) = 9.58 W/kg

SAR(1 g) = 6.49 W/kg; SAR(10 g) = 4.99 W/kg

Maximum value of SAR (measured) = 8.23 W/kg



0 dB = 8.23 W/kg = 9.15 dBW/kg

Test Plot 2#: PTT_4FSK 12.5kHz_Face Up_435.0125 MHz**DUT: DMR Radio; Type: DM-1260; Serial: 18103105221**

Communication System: 4FSK; Frequency: 435.012 MHz; Duty Cycle: 1:2

Medium parameters used: $f = 435.012$ MHz; $\sigma = 0.862$ S/m; $\epsilon_r = 44.649$; $\rho = 1000$ kg/m³

Phantom section: Flat Section

DASY5 Configuration:

- Probe: ES3DV2 - SN3019; ConvF(7.18, 7.18, 7.18); Calibrated: 2018/8/20;
- Sensor-Surface: 4mm (Mechanical Surface Detection)
- Electronics: DAE3 Sn494; Calibrated: 2017/11/15
- Phantom: ELI v8.0; Type: QDOVA004AA; Serial: 2051
- Measurement SW: DASY52, Version 52.8 (8);

Area Scan (61x141x1): Interpolated grid: dx=1.500 mm, dy=1.500 mm

Maximum value of SAR (interpolated) = 4.52 W/kg

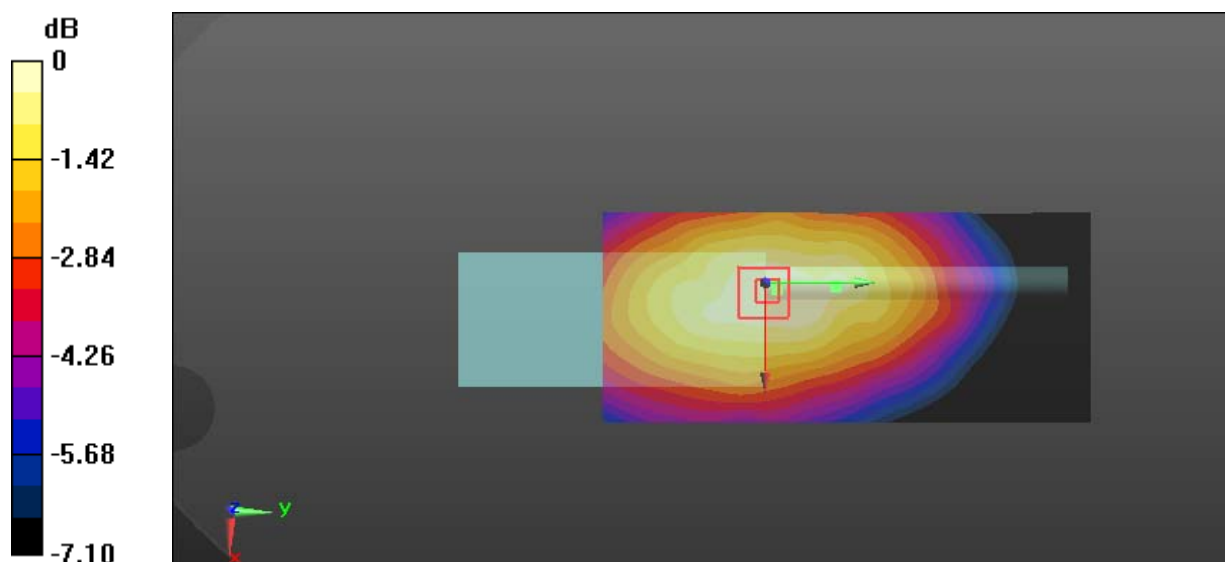
Zoom Scan (6x6x7)/Cube 0: Measurement grid: dx=8mm, dy=8mm, dz=5mm

Reference Value = 65.59 V/m; Power Drift = -0.10 dB

Peak SAR (extrapolated) = 5.16 W/kg

SAR(1 g) = 3.44 W/kg; SAR(10 g) = 2.64 W/kg

Maximum value of SAR (measured) = 4.41 W/kg



0 dB = 4.41 W/kg = 6.44 dBW/kg

Test Plot 3#: PTT_FM 12.5kHz_Body Back_400.0125 MHz**DUT: DMR Radio; Type: DM-1260; Serial: 18103105221**

Communication System: FM; Frequency: 400.012 MHz; Duty Cycle: 1:1

Medium parameters used: $f = 400.012$ MHz; $\sigma = 0.938$ S/m; $\epsilon_r = 57.159$; $\rho = 1000$ kg/m³

Phantom section: Flat Section

DASY5 Configuration:

- Probe: ES3DV2 - SN3019; ConvF(7.1, 7.1, 7.1); Calibrated: 2018/8/20;
- Sensor-Surface: 4mm (Mechanical Surface Detection)
- Electronics: DAE3 Sn494; Calibrated: 2017/11/15
- Phantom: ELI v8.0; Type: QDOVA004AA; Serial: 2051
- Measurement SW: DASY52, Version 52.8 (8);

Area Scan (61x141x1): Interpolated grid: dx=1.500 mm, dy=1.500 mm

Maximum value of SAR (interpolated) = 7.79 W/kg

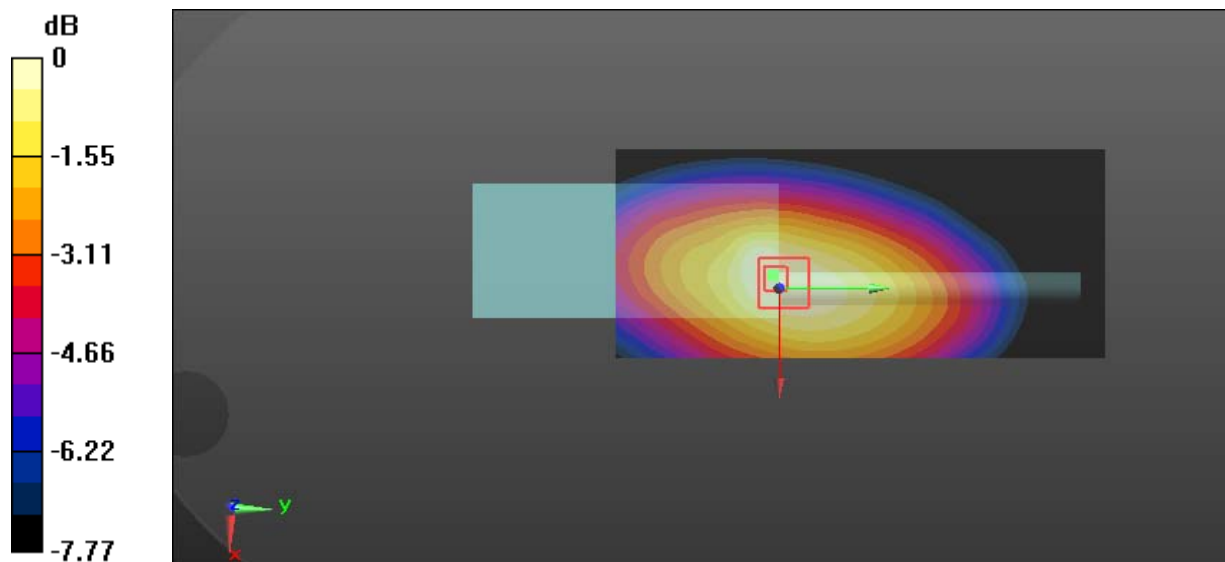
Zoom Scan (5x5x7)/Cube 0: Measurement grid: dx=8mm, dy=8mm, dz=5mm

Reference Value = 83.85 V/m; Power Drift = -0.17 dB

Peak SAR (extrapolated) = 8.89 W/kg

SAR(1 g) = 5.89 W/kg; SAR(10 g) = 4.29 W/kg

Maximum value of SAR (measured) = 7.68 W/kg



0 dB = 7.68 W/kg = 8.85 dBW/kg

Test Plot 4#: PTT_FM 12.5kHz_Body Back_417.5125 MHz**DUT: DMR Radio; Type: DM-1260; Serial: 18103105221**

Communication System: FM; Frequency: 417.512 MHz; Duty Cycle: 1:1

Medium parameters used: $f = 417.512$ MHz; $\sigma = 0.947$ S/m; $\epsilon_r = 57.143$; $\rho = 1000$ kg/m³

Phantom section: Flat Section

DASY5 Configuration:

- Probe: ES3DV2 - SN3019; ConvF(7.1, 7.1, 7.1); Calibrated: 2018/8/20;
- Sensor-Surface: 4mm (Mechanical Surface Detection)
- Electronics: DAE3 Sn494; Calibrated: 2017/11/15
- Phantom: ELI v8.0; Type: QDOVA004AA; Serial: 2051
- Measurement SW: DASY52, Version 52.8 (8);

Area Scan (61x141x1): Interpolated grid: dx=1.500 mm, dy=1.500 mm

Maximum value of SAR (interpolated) = 9.80 W/kg

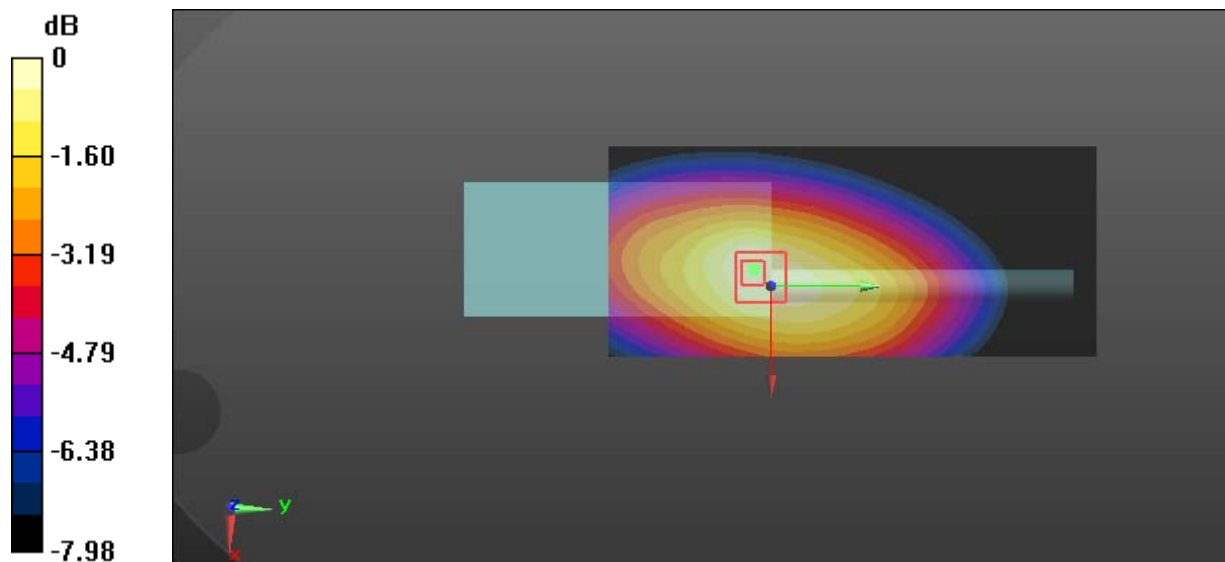
Zoom Scan (5x5x7)/Cube 0: Measurement grid: dx=8mm, dy=8mm, dz=5mm

Reference Value = 89.22 V/m; Power Drift = -0.10 dB

Peak SAR (extrapolated) = 11.5 W/kg

SAR(1 g) = 7.51 W/kg; SAR(10 g) = 5.42 W/kg

Maximum value of SAR (measured) = 9.80 W/kg



0 dB = 9.80 W/kg = 9.91 dBW/kg

Test Plot 5#: PTT_FM 12.5kHz_Body Back_435.0125 MHz**DUT: DMR Radio; Type: DM-1260; Serial: 18103105221**

Communication System: FM; Frequency: 435.012 MHz; Duty Cycle: 1:1

Medium parameters used: $f = 435.012$ MHz; $\sigma = 0.951$ S/m; $\epsilon_r = 57.137$; $\rho = 1000$ kg/m³

Phantom section: Flat Section

DASY5 Configuration:

- Probe: ES3DV2 - SN3019; ConvF(7.1, 7.1, 7.1); Calibrated: 2018/8/20;
- Sensor-Surface: 4mm (Mechanical Surface Detection)
- Electronics: DAE3 Sn494; Calibrated: 2017/11/15
- Phantom: ELI v8.0; Type: QDOVA004AA; Serial: 2051
- Measurement SW: DASY52, Version 52.8 (8);

Area Scan (61x141x1): Interpolated grid: dx=1.500 mm, dy=1.500 mm

Maximum value of SAR (interpolated) = 14.0 W/kg

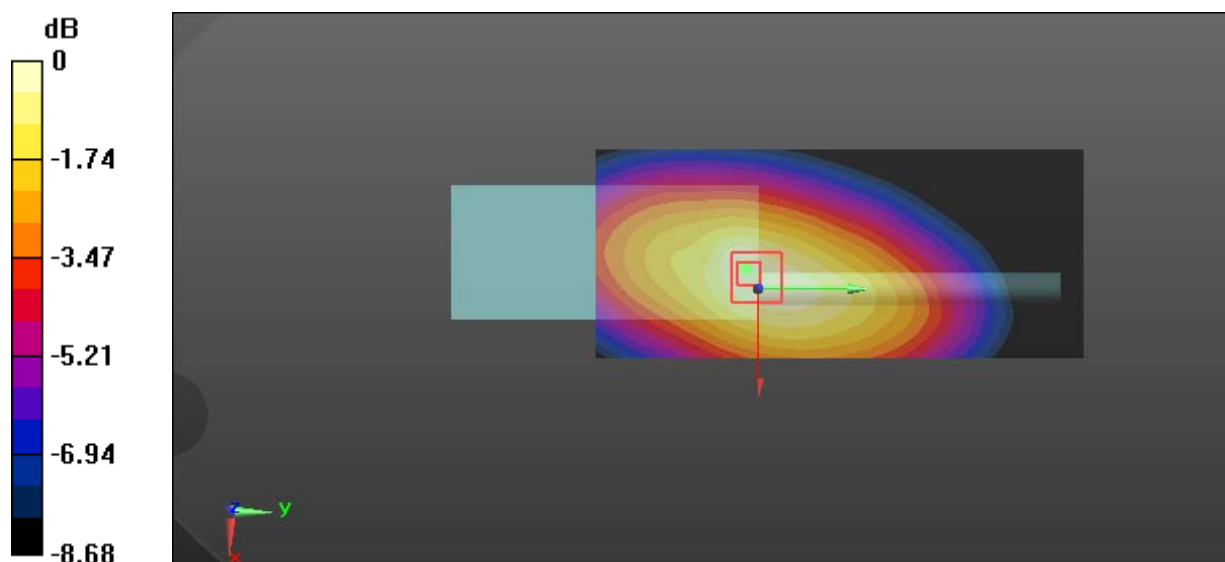
Zoom Scan (6x6x7)/Cube 0: Measurement grid: dx=8mm, dy=8mm, dz=5mm

Reference Value = 106.6 V/m; Power Drift = -0.16 dB

Peak SAR (extrapolated) = 16.5 W/kg

SAR(1 g) = 10.7 W/kg; SAR(10 g) = 7.71 W/kg

Maximum value of SAR (measured) = 14.3 W/kg



0 dB = 14.3 W/kg = 11.55 dBW/kg

Test Plot 6#: PTT_FM 12.5kHz_Body Back_452.4875 MHz**DUT: DMR Radio; Type: DM-1260; Serial: 18103105221**

Communication System: FM; Frequency: 452.488 MHz; Duty Cycle: 1:1

Medium parameters used: $f = 452.488$ MHz; $\sigma = 0.973$ S/m; $\epsilon_r = 57.116$; $\rho = 1000$ kg/m³

Phantom section: Flat Section

DASY5 Configuration:

- Probe: ES3DV2 - SN3019; ConvF(7.1, 7.1, 7.1); Calibrated: 2018/8/20;
- Sensor-Surface: 4mm (Mechanical Surface Detection)
- Electronics: DAE3 Sn494; Calibrated: 2017/11/15
- Phantom: ELI v8.0; Type: QDOVA004AA; Serial: 2051
- Measurement SW: DASY52, Version 52.8 (8);

Area Scan (61x141x1): Interpolated grid: dx=1.500 mm, dy=1.500 mm

Maximum value of SAR (interpolated) = 11.2 W/kg

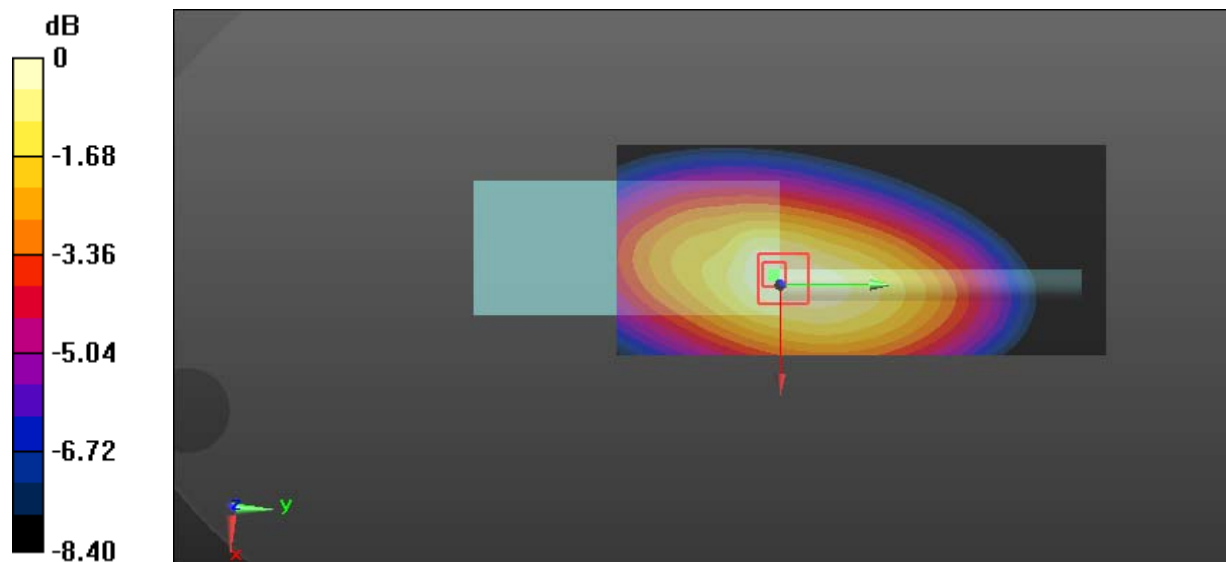
Zoom Scan (5x5x7)/Cube 0: Measurement grid: dx=8mm, dy=8mm, dz=5mm

Reference Value = 95.16 V/m; Power Drift = -0.16 dB

Peak SAR (extrapolated) = 13.1 W/kg

SAR(1 g) = 8.66 W/kg; SAR(10 g) = 6.19 W/kg

Maximum value of SAR (measured) = 11.4 W/kg



0 dB = 11.4 W/kg = 10.57 dBW/kg

Test Plot 7#: PTT_FM 12.5kHz_Body Back_469.9875 MHz**DUT: DMR Radio; Type: DM-1260; Serial: 18103105221**

Communication System: FM; Frequency: 469.988 MHz; Duty Cycle: 1:1

Medium parameters used: $f = 469.988$ MHz; $\sigma = 0.981$ S/m; $\epsilon_r = 57.104$; $\rho = 1000$ kg/m³

Phantom section: Flat Section

DASY5 Configuration:

- Probe: ES3DV2 - SN3019; ConvF(7.1, 7.1, 7.1); Calibrated: 2018/8/20;
- Sensor-Surface: 4mm (Mechanical Surface Detection)
- Electronics: DAE3 Sn494; Calibrated: 2017/11/15
- Phantom: ELI v8.0; Type: QDOVA004AA; Serial: 2051
- Measurement SW: DASY52, Version 52.8 (8);

Area Scan (61x141x1): Interpolated grid: dx=1.500 mm, dy=1.500 mm

Maximum value of SAR (interpolated) = 8.76 W/kg

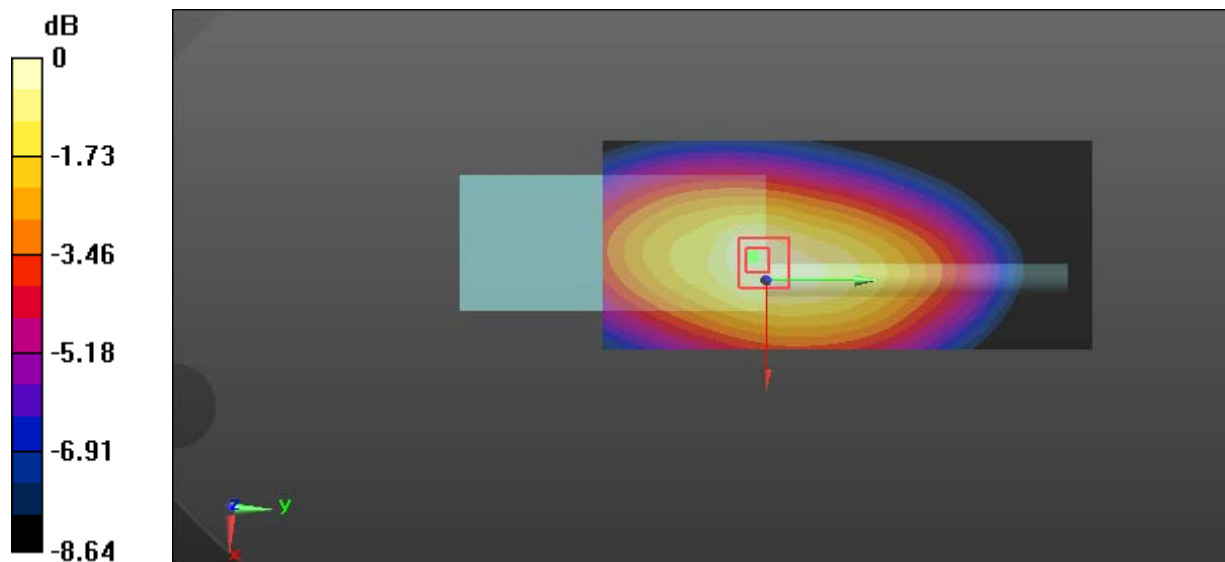
Zoom Scan (5x5x7)/Cube 0: Measurement grid: dx=8mm, dy=8mm, dz=5mm

Reference Value = 82.38 V/m; Power Drift = -0.11 dB

Peak SAR (extrapolated) = 10.0 W/kg

SAR(1 g) = 6.66 W/kg; SAR(10 g) = 4.78 W/kg

Maximum value of SAR (measured) = 8.72 W/kg



0 dB = 8.72 W/kg = 9.41 dBW/kg

Test Plot 8#: PTT_4FSK 12.5kHz_Body Back_435.0125 MHz**DUT: DMR Radio; Type: DM-1260; Serial: 18103105221**

Communication System: 4FSK; Frequency: 435.012 MHz; Duty Cycle: 1:2

Medium parameters used: $f = 435.012$ MHz; $\sigma = 0.951$ S/m; $\epsilon_r = 57.137$; $\rho = 1000$ kg/m³

Phantom section: Flat Section

DASY5 Configuration:

- Probe: ES3DV2 - SN3019; ConvF(7.1, 7.1, 7.1); Calibrated: 2018/8/20;
- Sensor-Surface: 4mm (Mechanical Surface Detection)
- Electronics: DAE3 Sn494; Calibrated: 2017/11/15
- Phantom: ELI v8.0; Type: QDOVA004AA; Serial: 2051
- Measurement SW: DASY52, Version 52.8 (8);

Area Scan (61x141x1): Interpolated grid: dx=1.500 mm, dy=1.500 mm

Maximum value of SAR (interpolated) = 6.55 W/kg

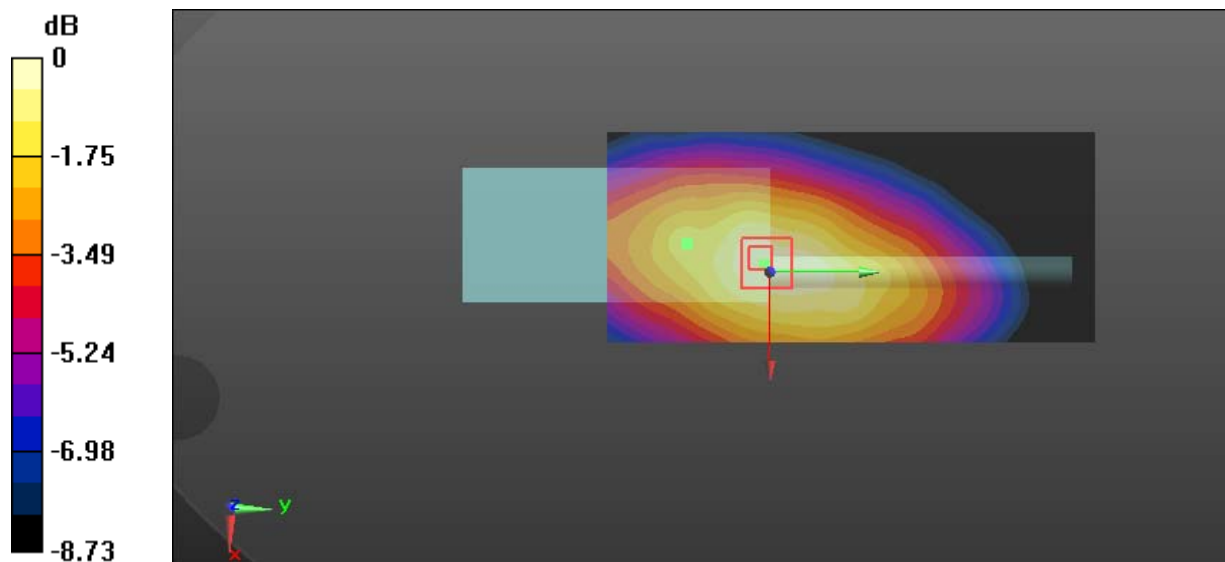
Zoom Scan (6x6x7)/Cube 0: Measurement grid: dx=8mm, dy=8mm, dz=5mm

Reference Value = 76.75 V/m; Power Drift = -0.19 dB

Peak SAR (extrapolated) = 7.85 W/kg

SAR(1 g) = 5.36 W/kg; SAR(10 g) = 3.81 W/kg

Maximum value of SAR (measured) = 6.82 W/kg



0 dB = 6.82 W/kg = 8.34 dBW/kg