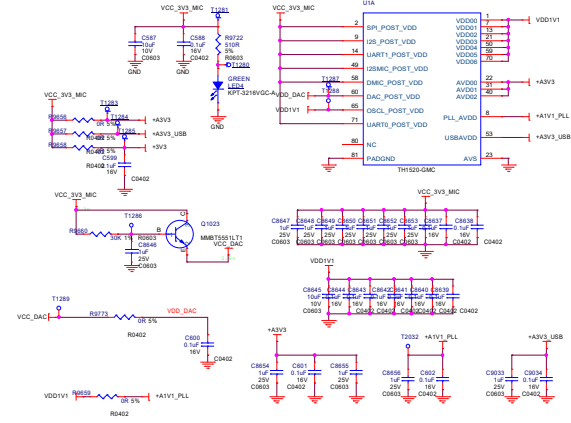
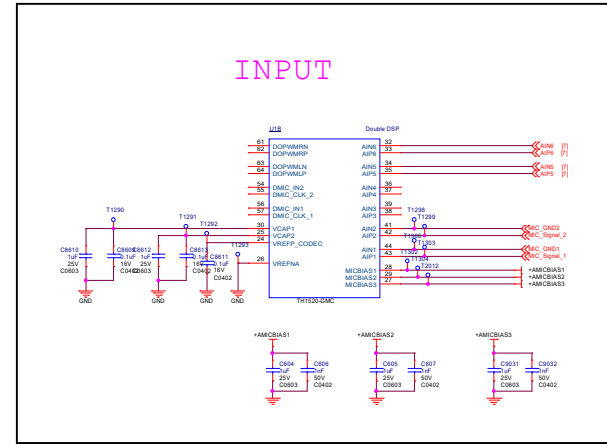


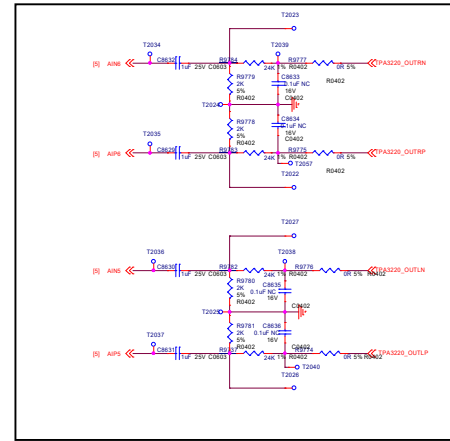
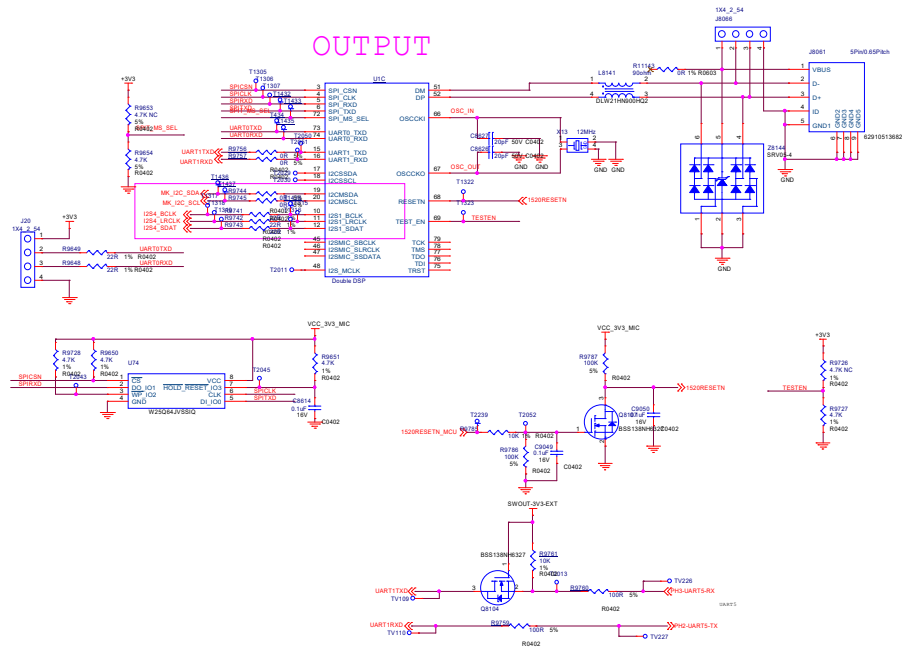
POWER

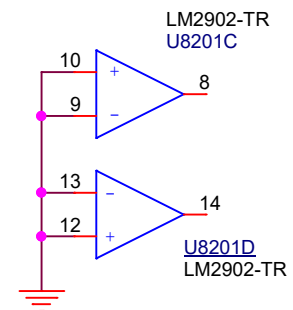
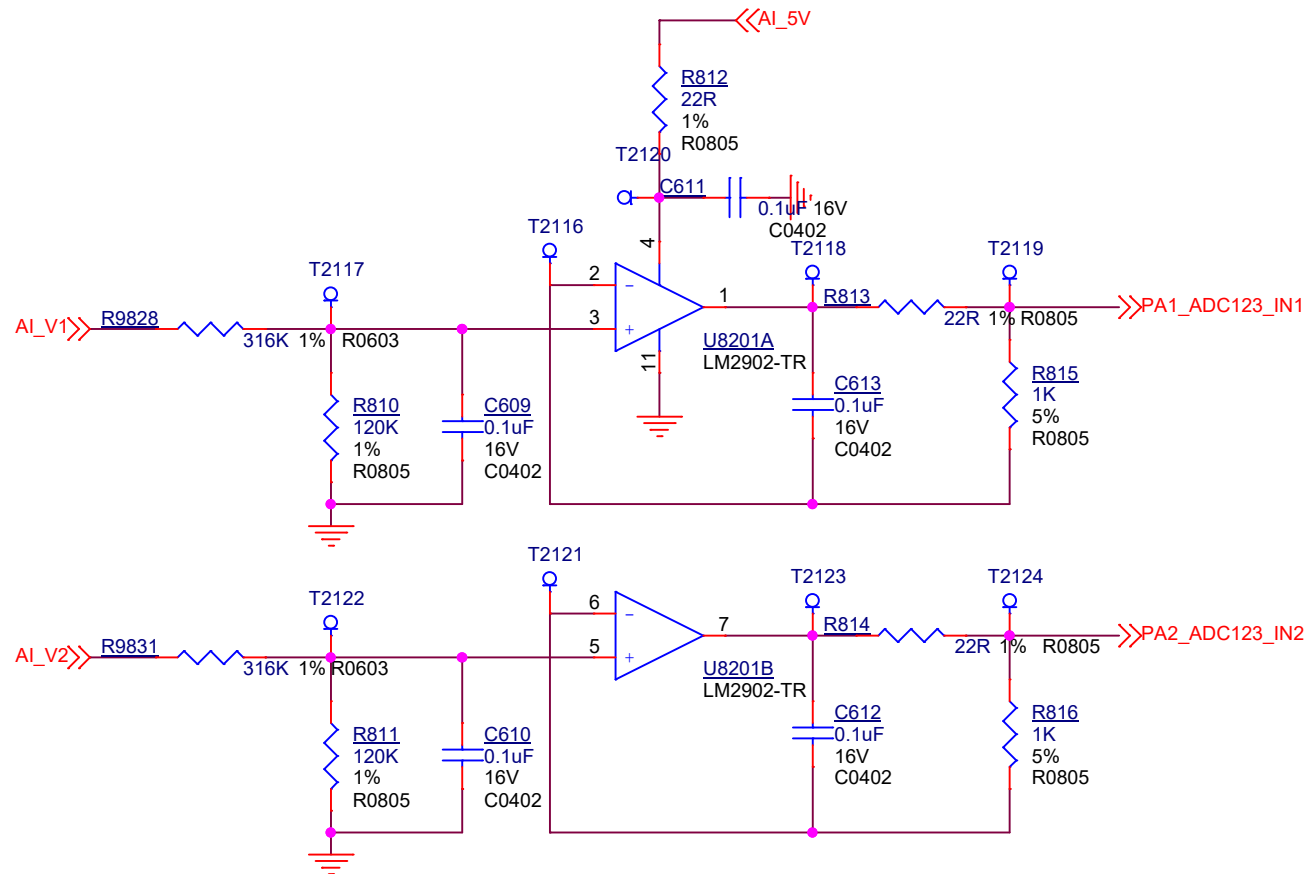


INPUT



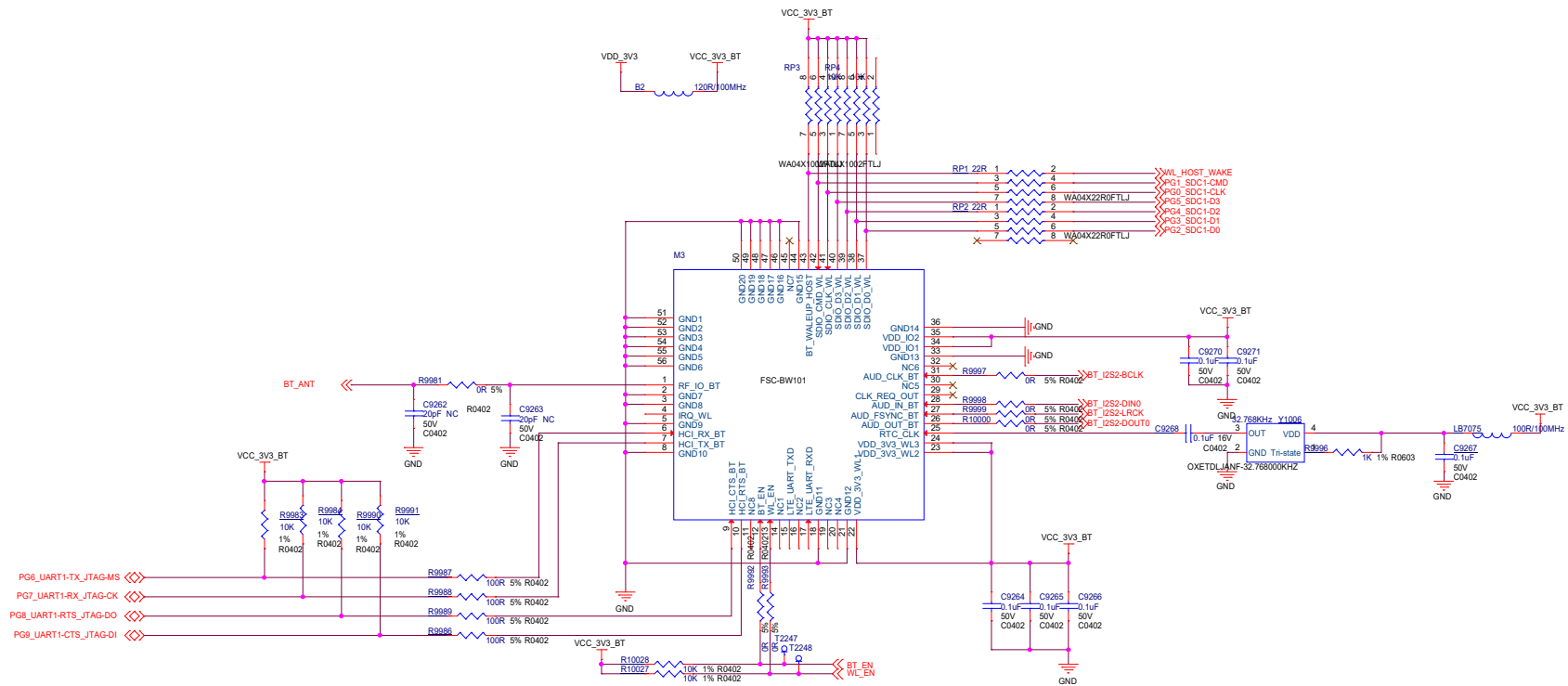
OUTPUT



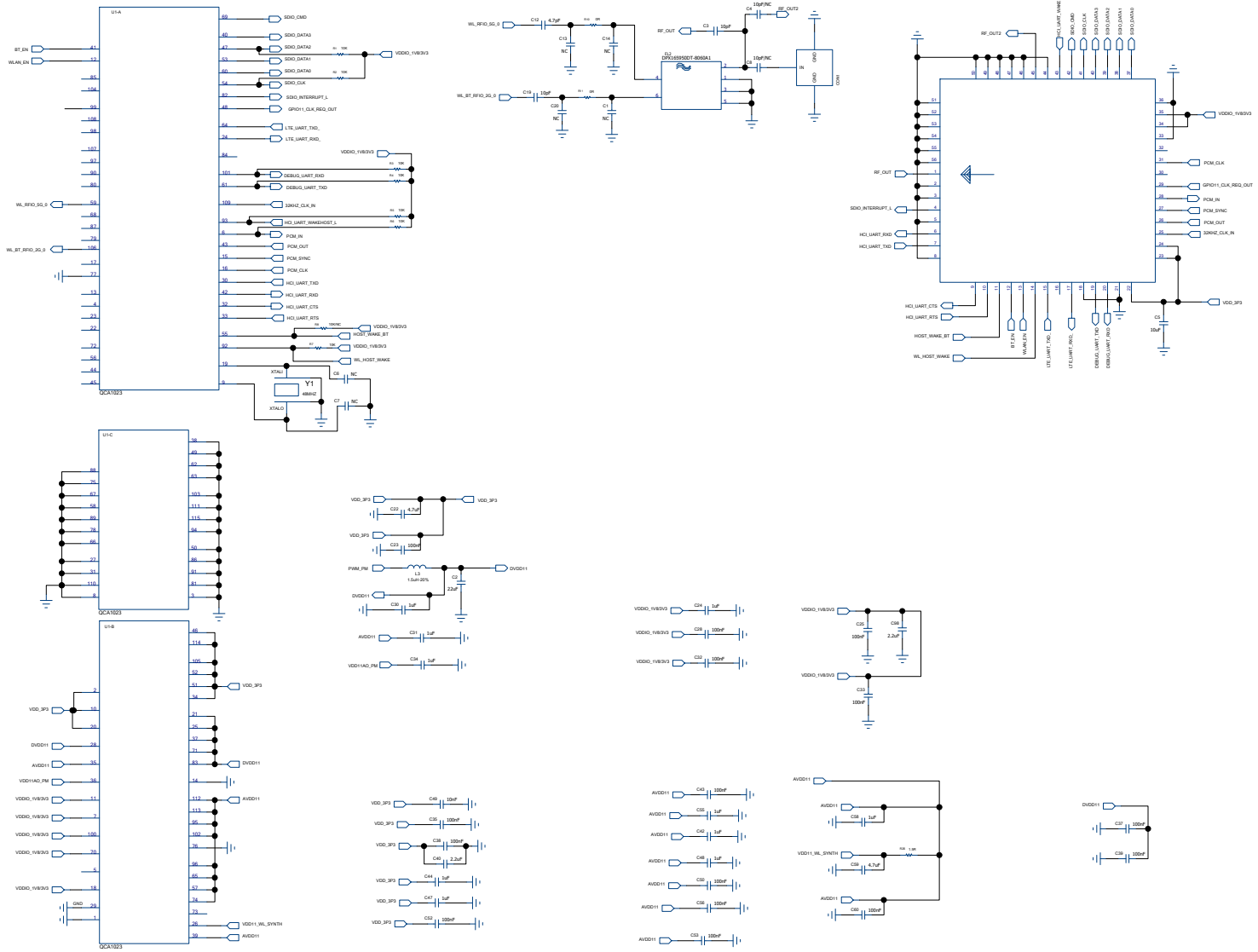


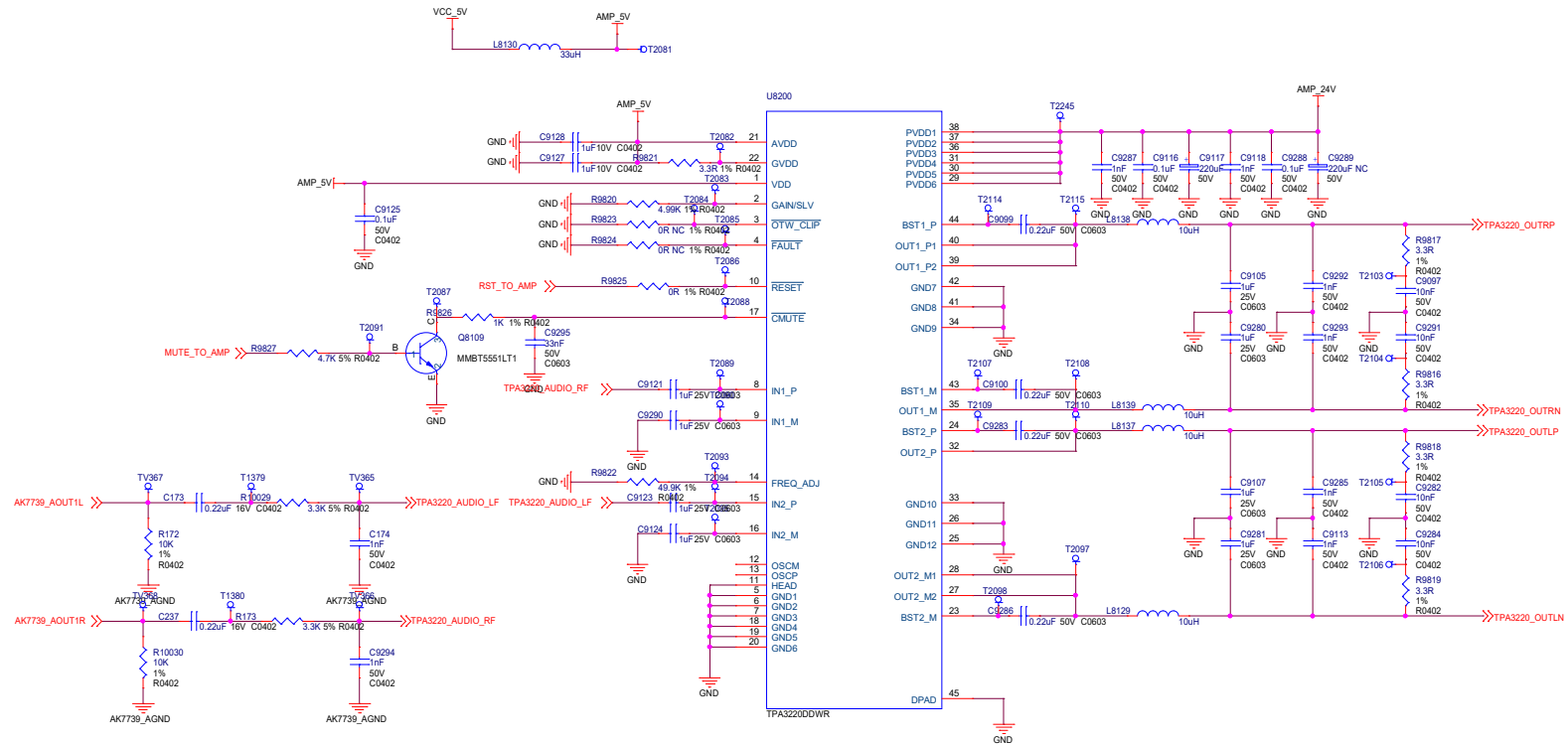
<Variant Name>

Title		
<Title>		
Size	Document Number	Rev
A	<Doc>	<RevCode>
Date:	Friday, July 08, 2022	Sheet 1 of 1

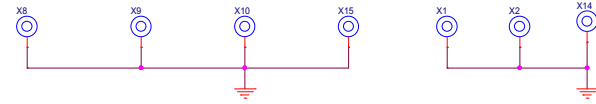
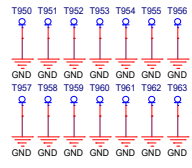
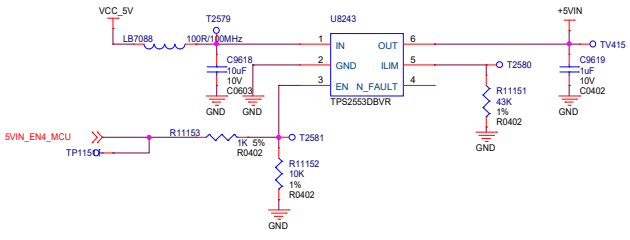
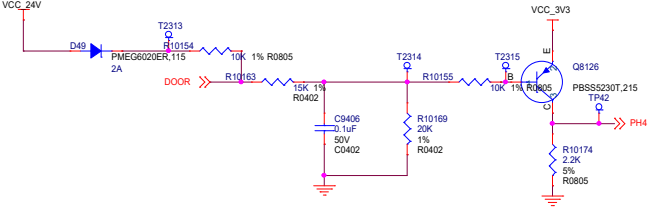
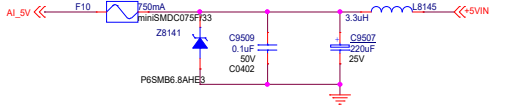
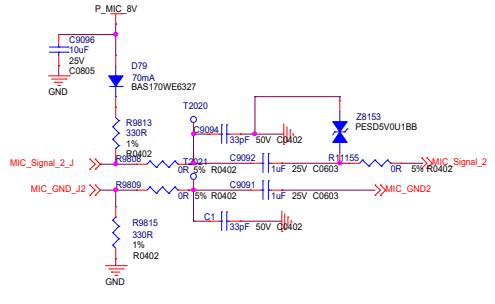
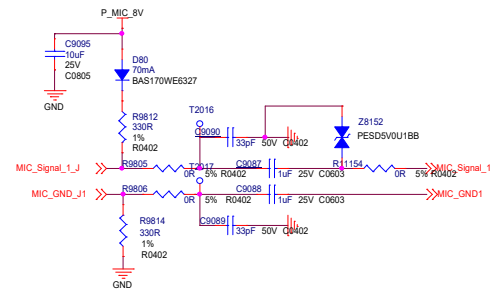
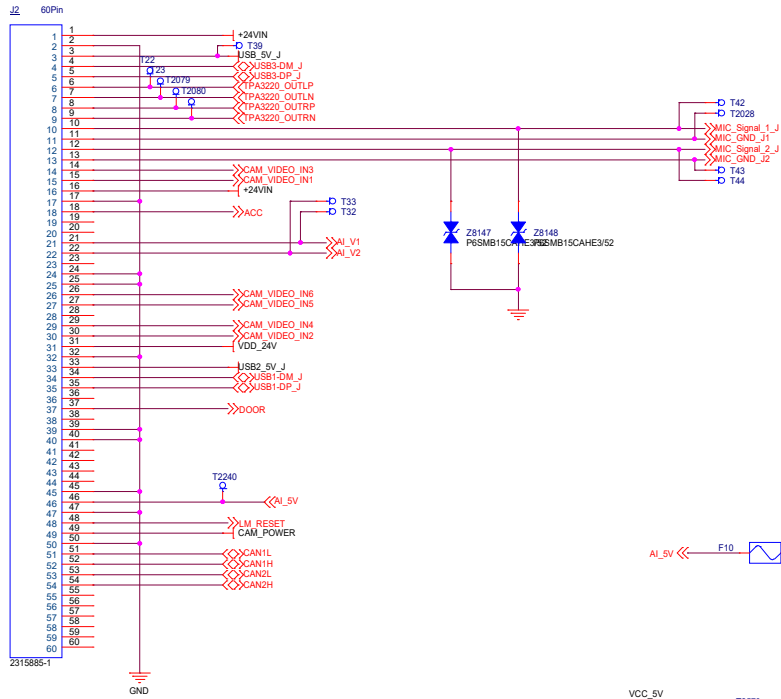


<Variant Name>		
Title	<Title>	
Size	Document Number	Rev
C	<Doc>	<Rev Code>
Date:	Thursday, May 05, 2022	Sheet 1 of 1

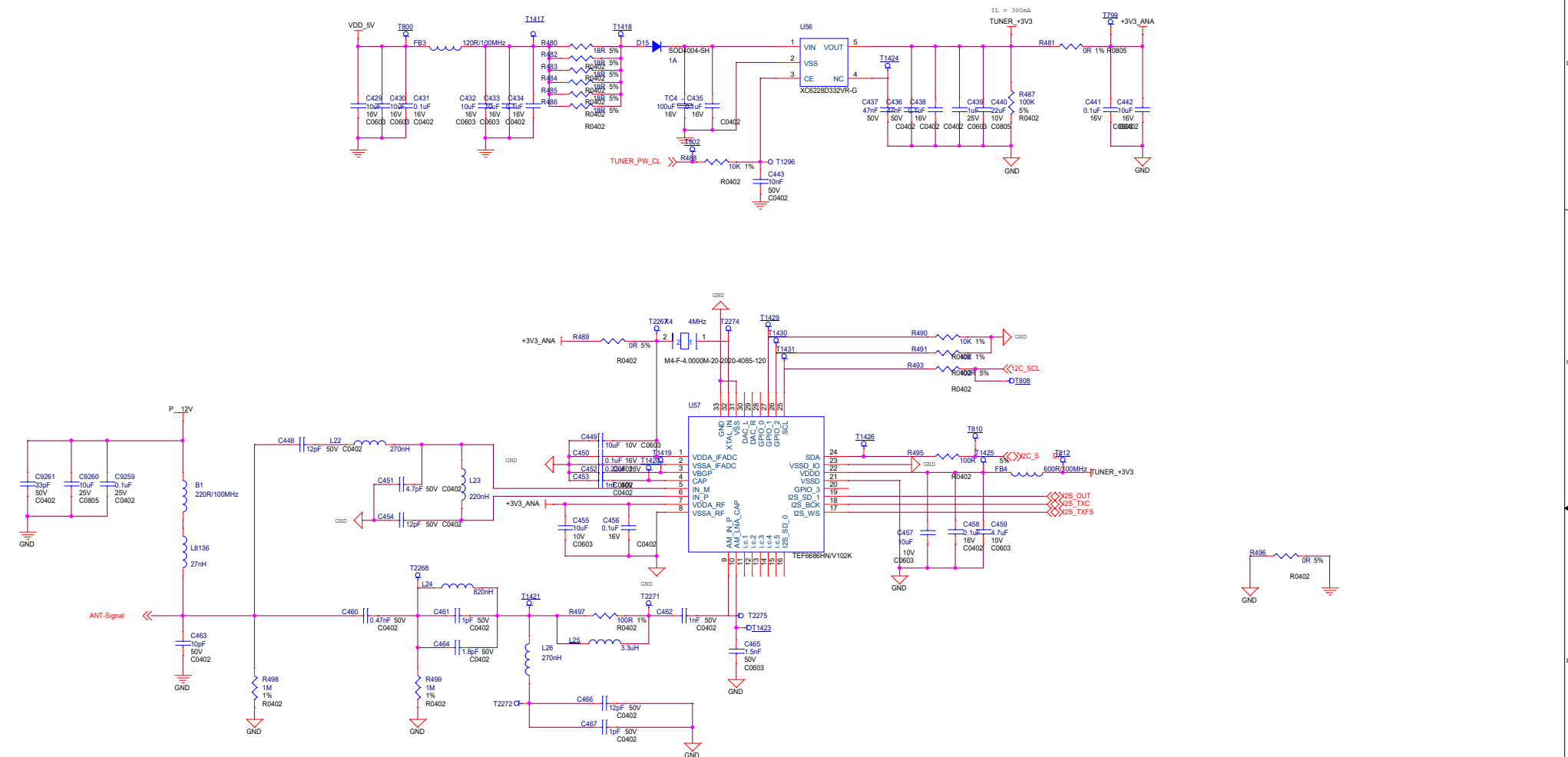




Title		
<Title>		
Size	Document Number	Rev
C	<Doc>	<Rev>
Date:	Thursday, May 05, 2022	Sheet 1 of 1

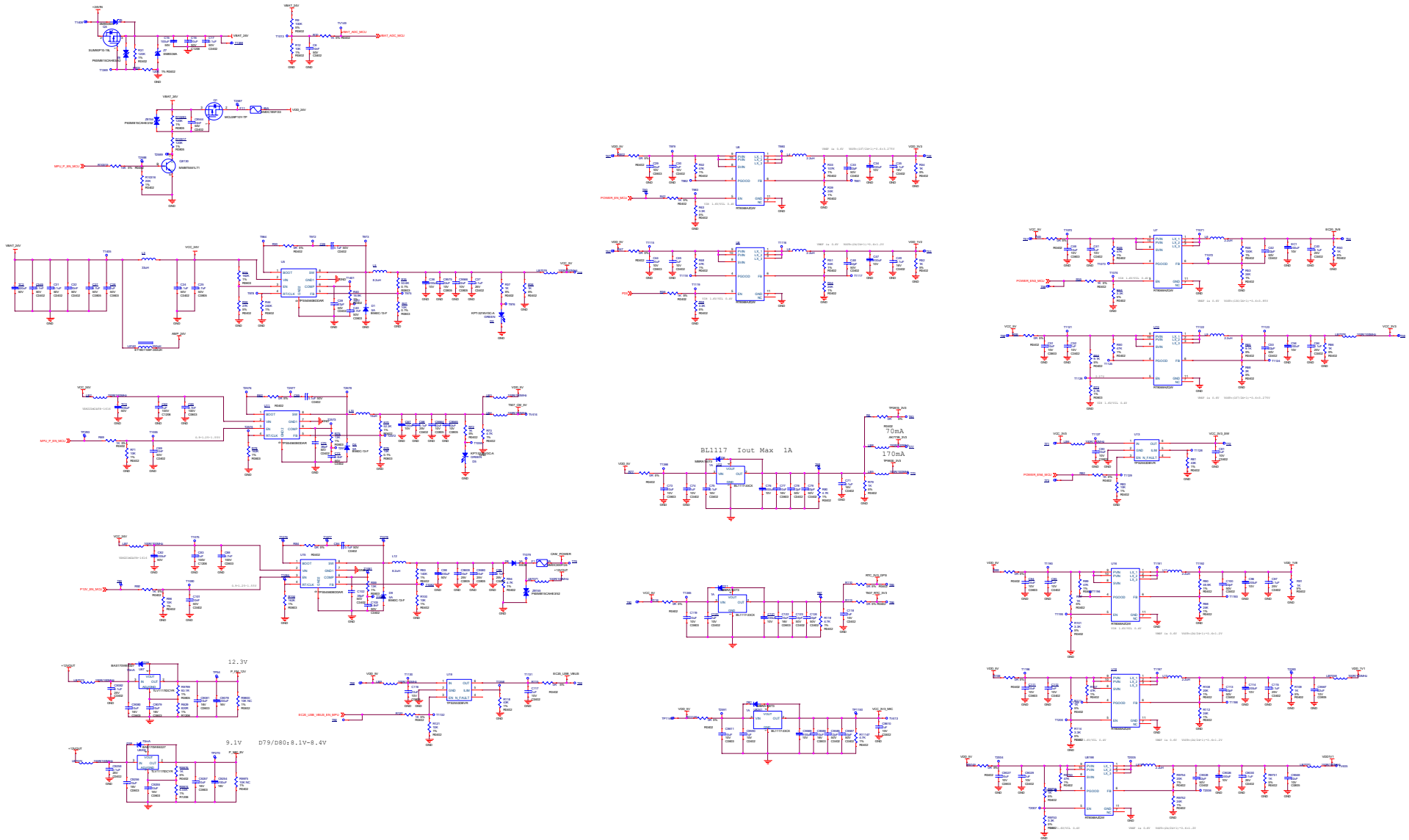


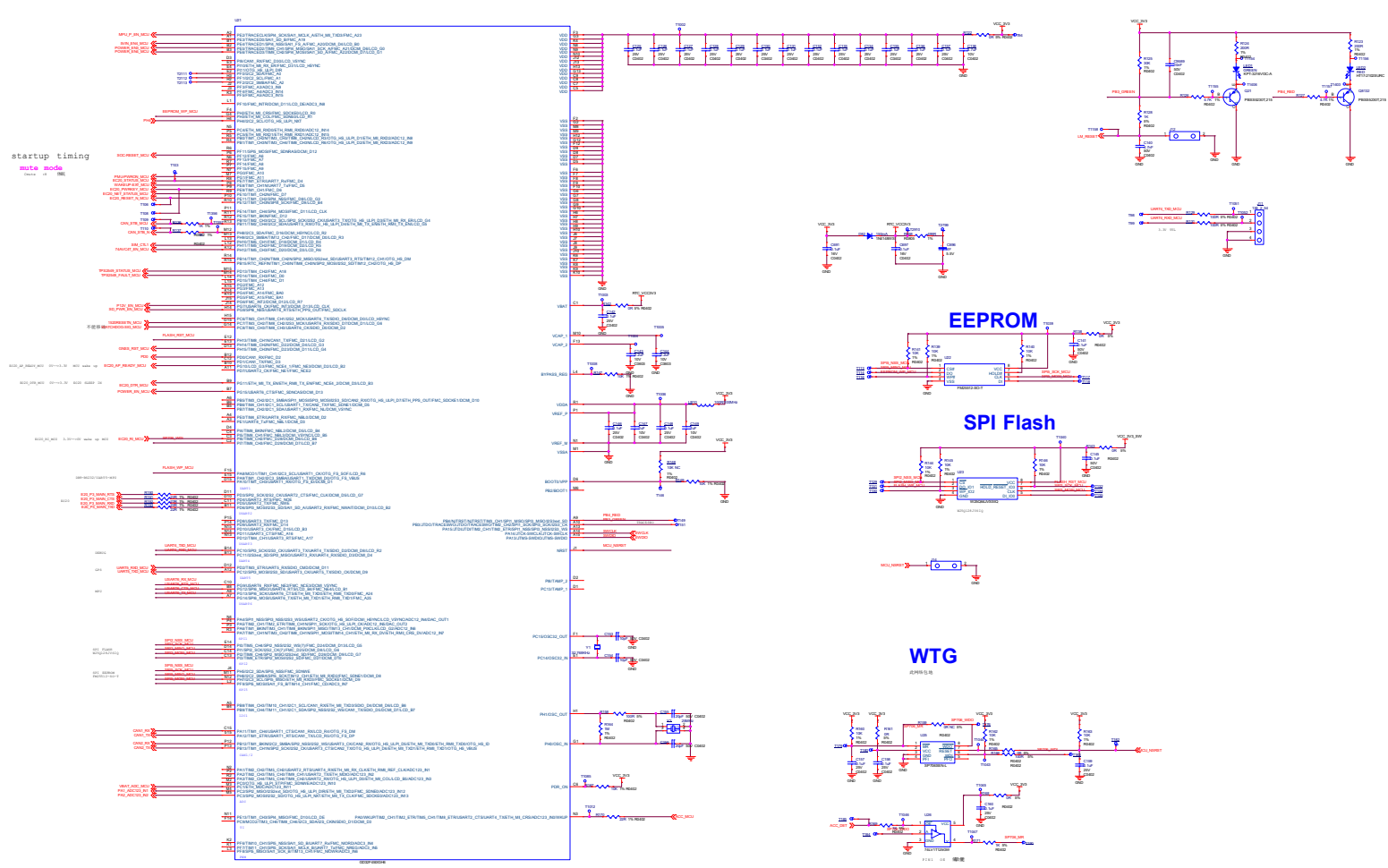
Title		
P19_INTERFACE		
Size	Document Number	Rev
C	<Doc>	<Rev>
Date:	Tuesday, July 12, 2022	Sheet 2 of 21



Title		
Size C	Document Number	Rev
Date: Friday, May 13, 2022	Sheet 3 of 22	<Rev Code>

ADC



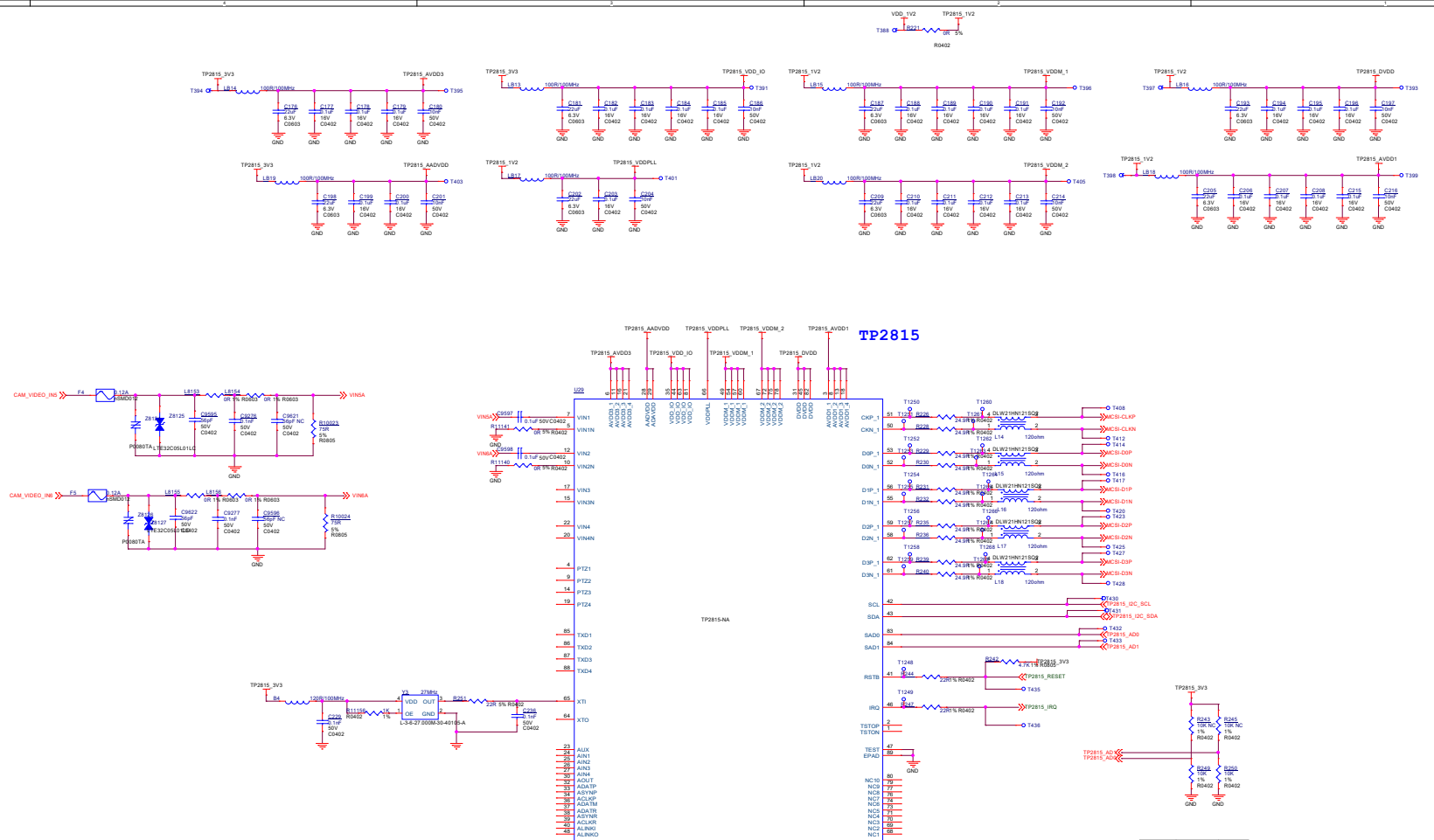


startup timing
auto mode

EEPROM

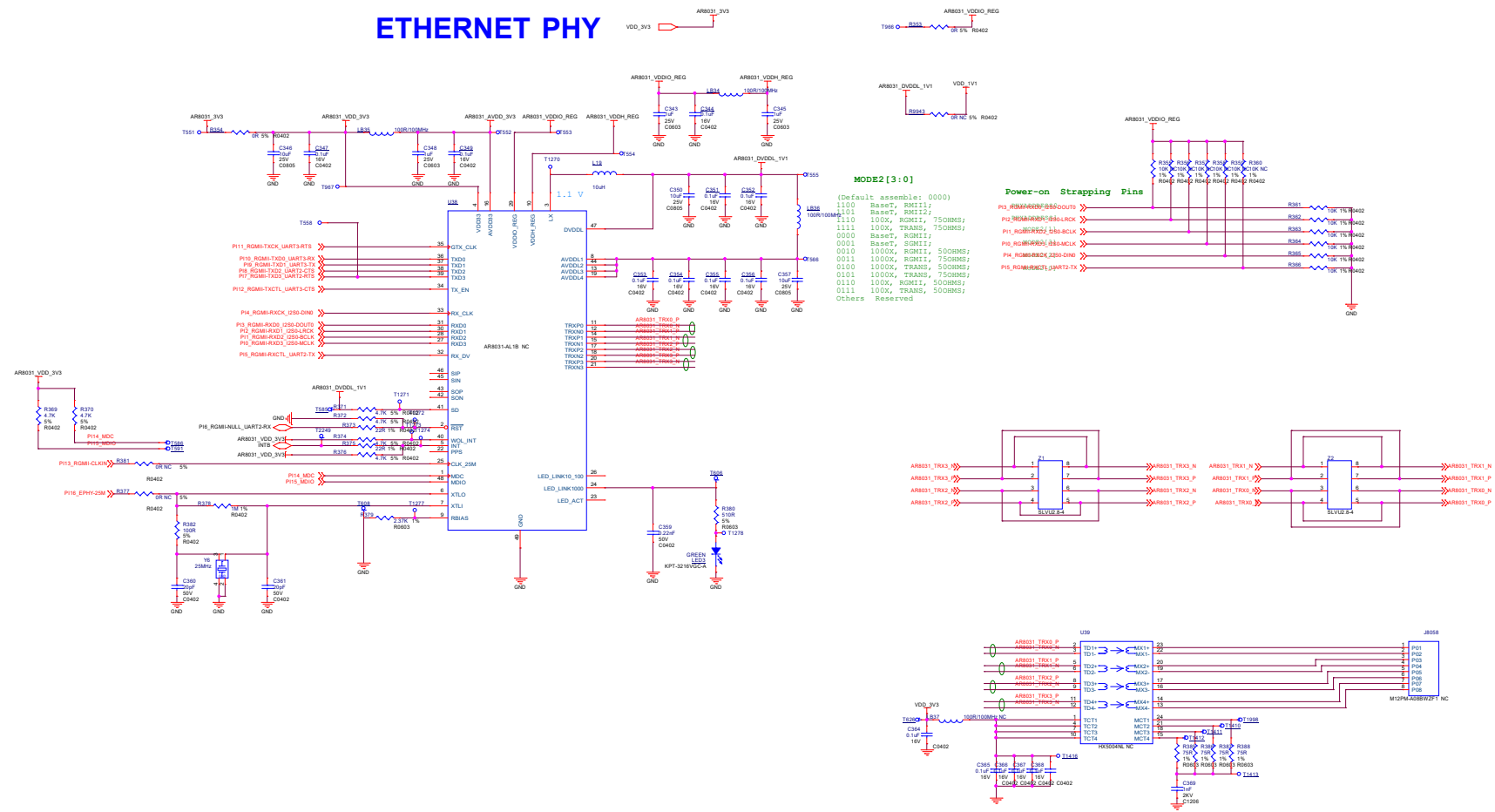
SPI Flash

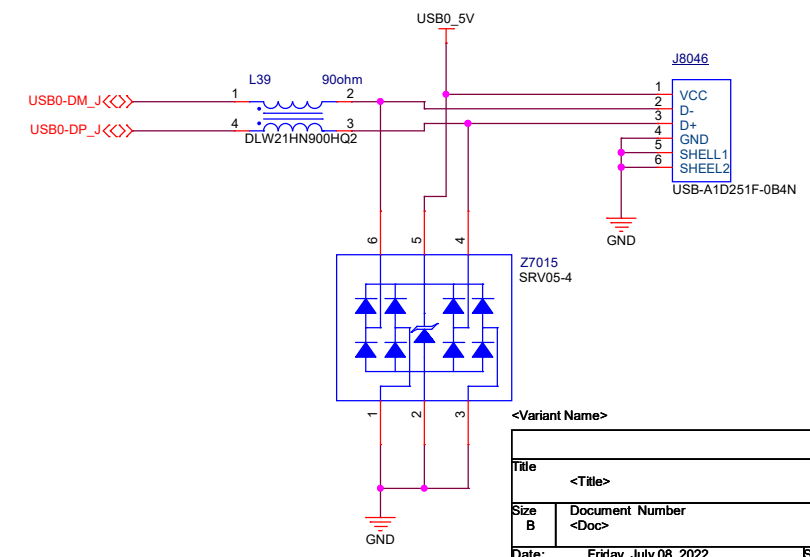
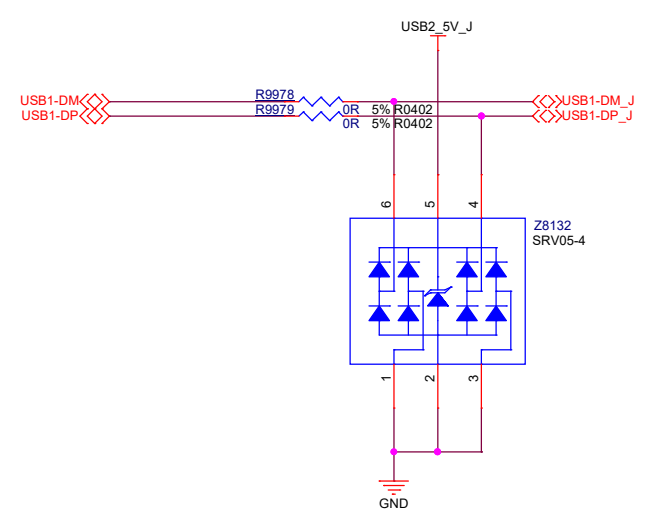
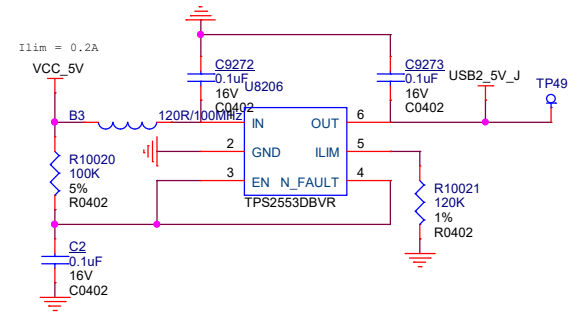
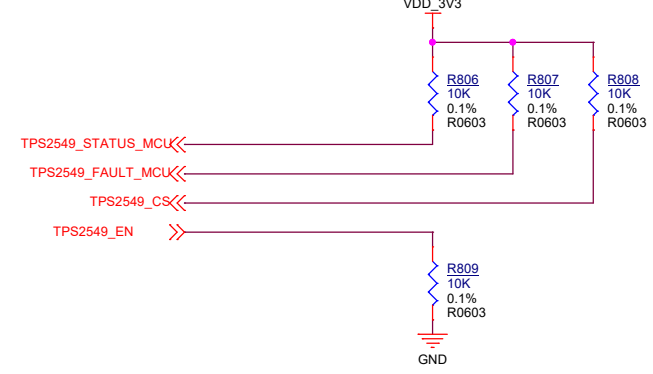
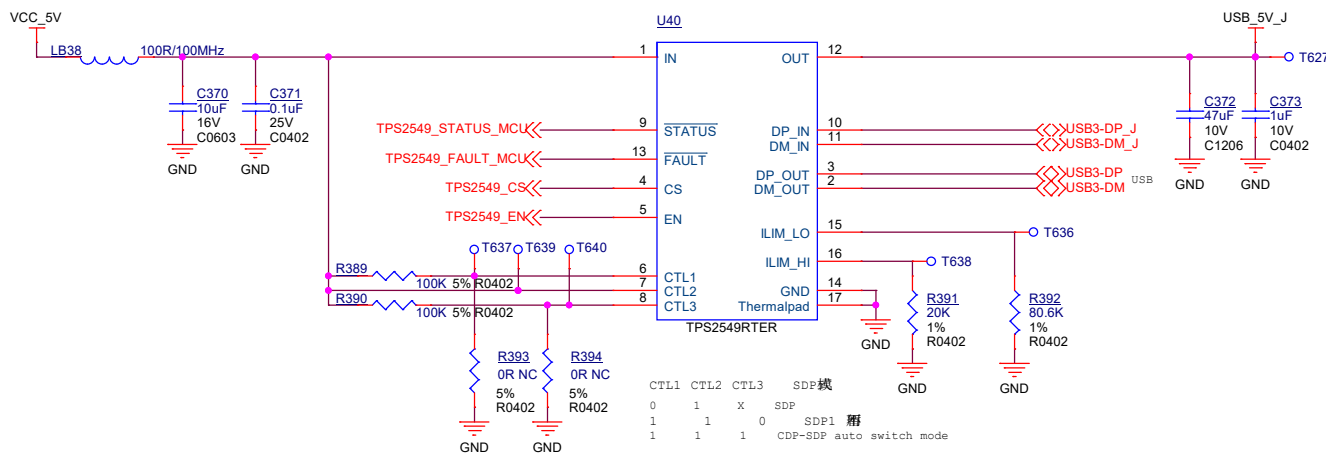
WTG



SAD1	SAD0	ADDR
LOW	LOW	0x88
LOW	HIGH	0x8A
HIGH	LOW	0x8C
HIGH	HIGH	0x8E

ETHERNET PHY

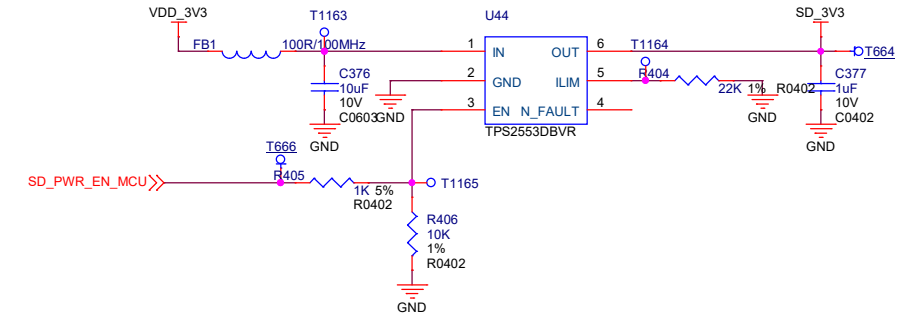
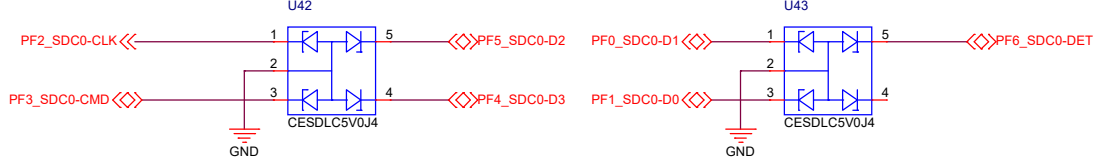
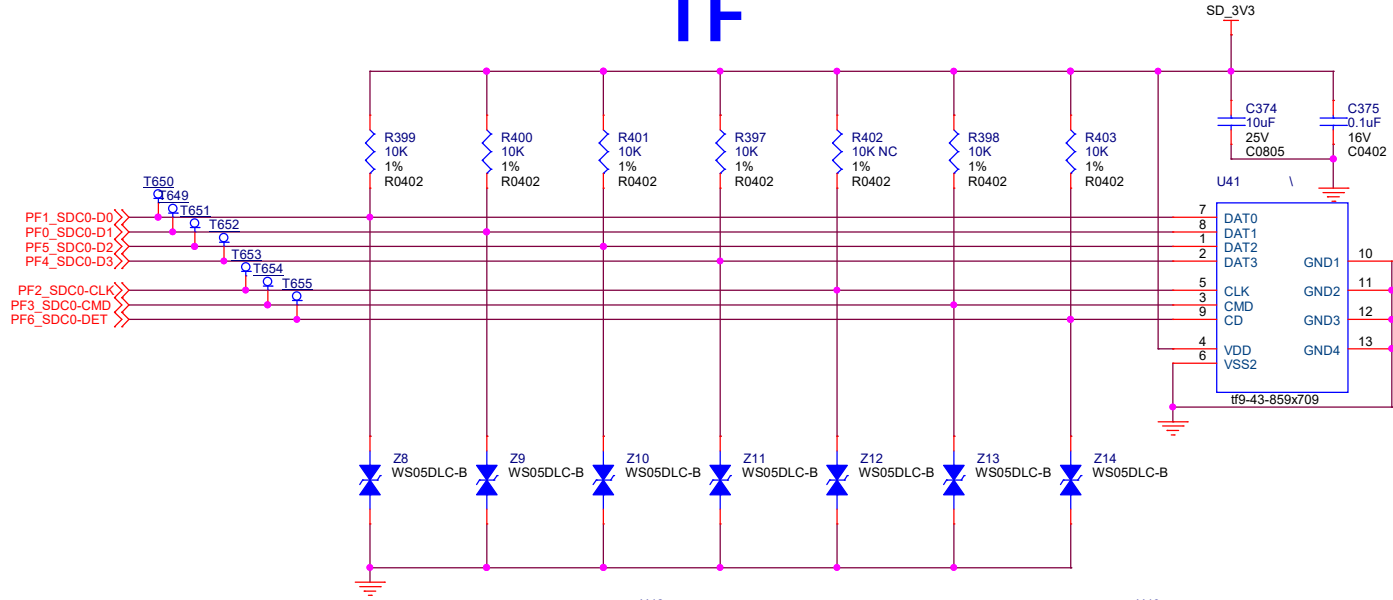




<Variant Name>

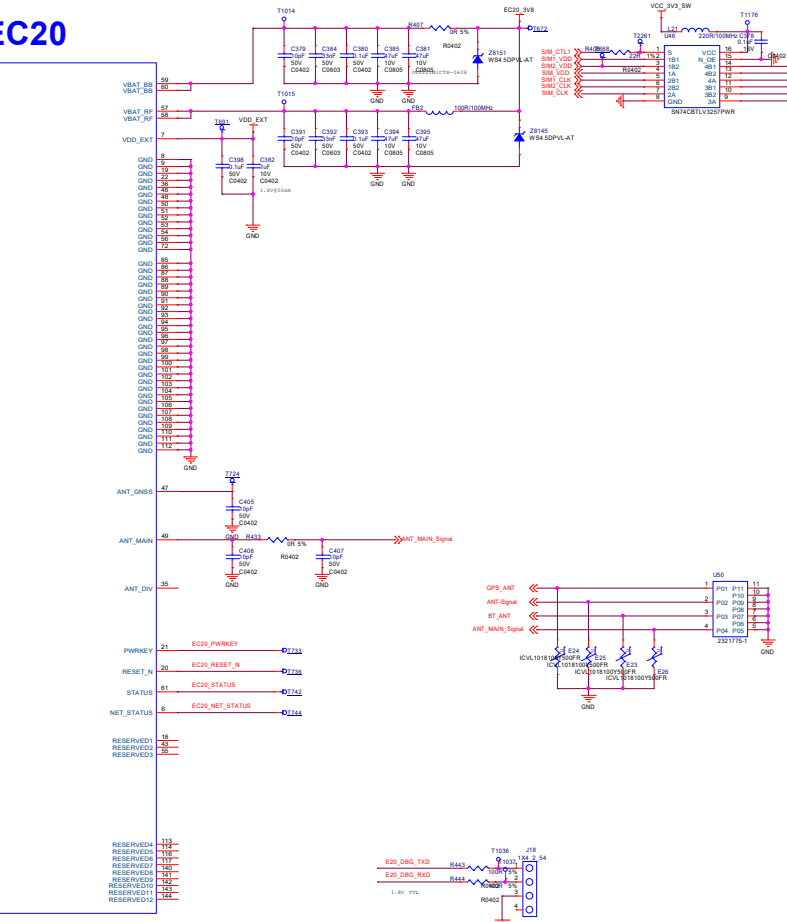
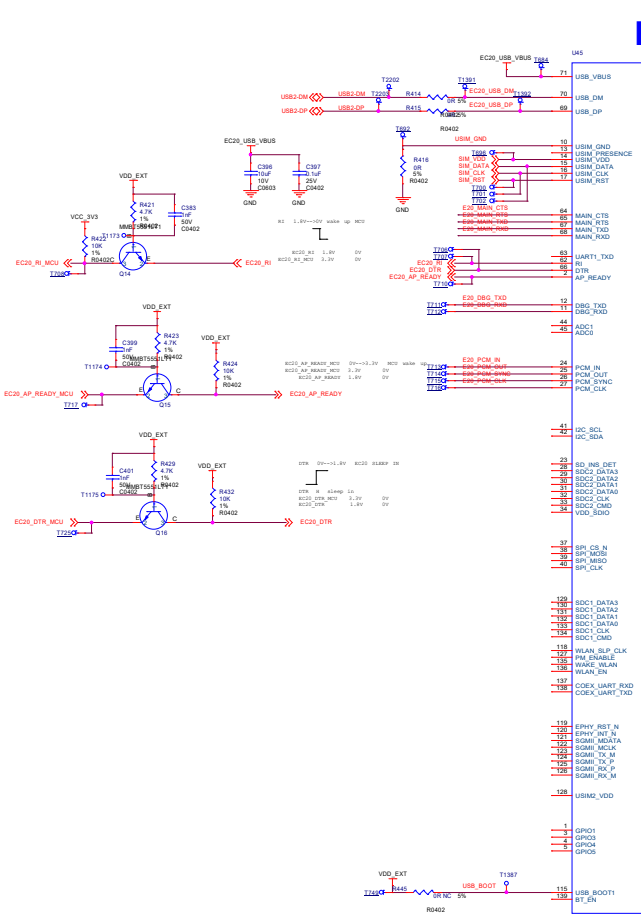
Title		<Title>
Size	Document Number	Rev
B	<Doc>	<RevCode>
Date:	Friday, July 08, 2022	Sheet 12 of 21

TF

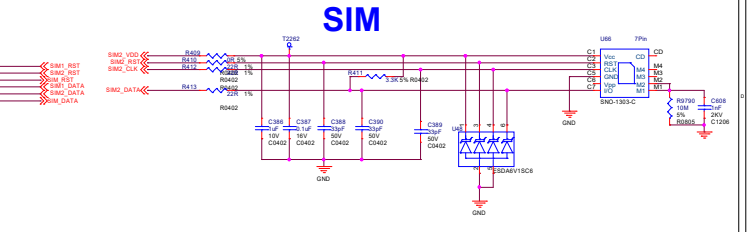


<Variant Name>		
Title		
P12_INTERFACE_ADAPTER		
Size	Document Number	Rev
B	<Doc>	<RevCode>
Date:	Thursday, May 05, 2022	Sheet 13 of 21

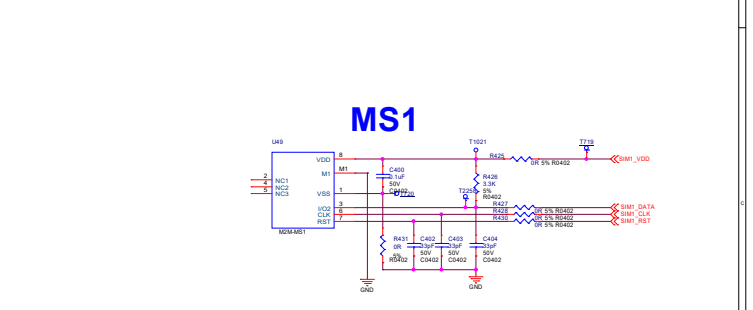
EC20



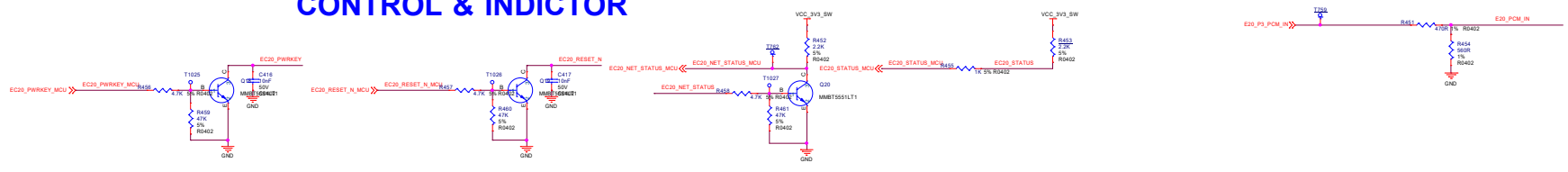
SIM



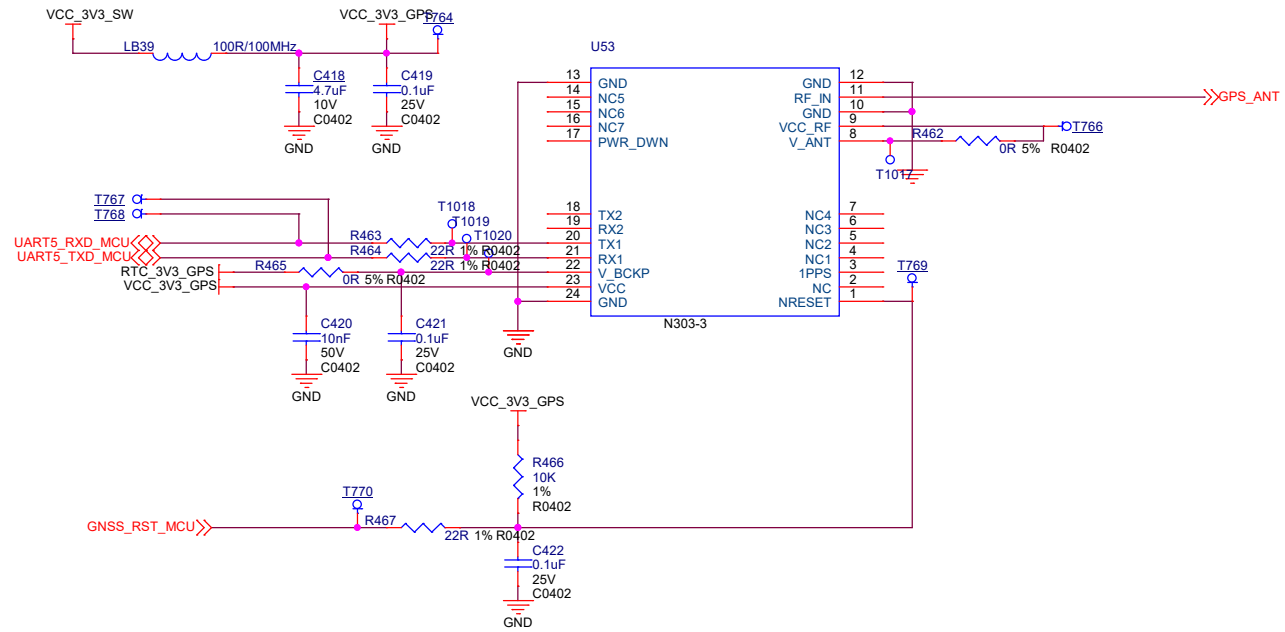
MS1



CONTROL & INDICATOR



Sheet Name			
File	P15_EC20		
Rev	Document Number	0000	
Date	15/07/2022	Sheet	14 of 21



<Variant Name>		
Title		
P16_GPS		
Size	Document Number	Rev
B	<Doc>	<RevCode>
Date:	Thursday, May 05, 2022	Sheet 15 of 21

2

1

B

B

A

A

<Variant Name>

Empty rectangular box

Title	
<Title>	

Size	Document Number	Rev
A	<Doc>	<RevCode>

Date:	Monday, November 29, 2021	Sheet	21	of	21
-------	---------------------------	-------	----	----	----

2

1