

Statement of differences between SECD-517C-02 and SECD-517A-02

All models have the same constructions, circuit diagram and PCB layout. Only the connector as below:

- 1、 SECD-517C-02 has 34pin connector; SECD-517A-02 has 12pin connectors.



Figure1 SECD-517C-02

Figure2 SECD-517A-02

- 2、 The function of 34pin connector (SECD-517C-02) include the function of 12pin connection (SECD-517A-02).

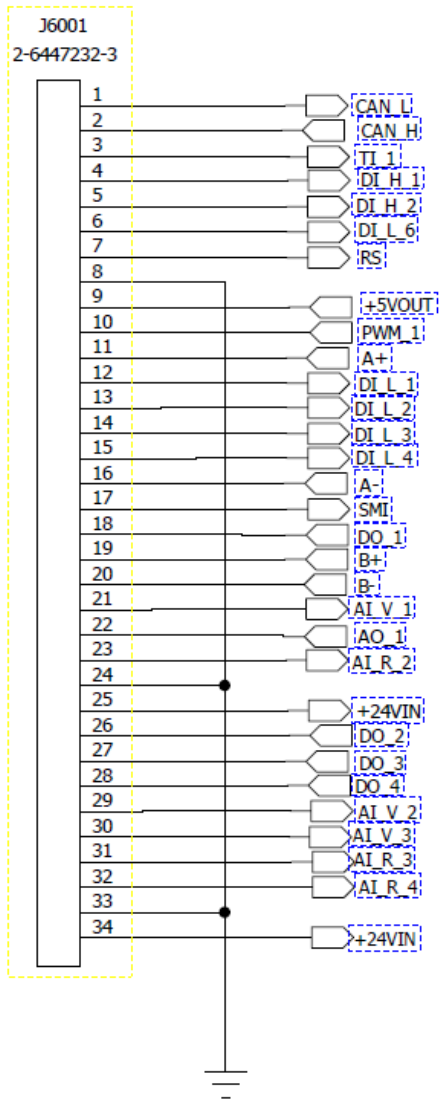


Figure3 34 pin connector of SECD-517C-02

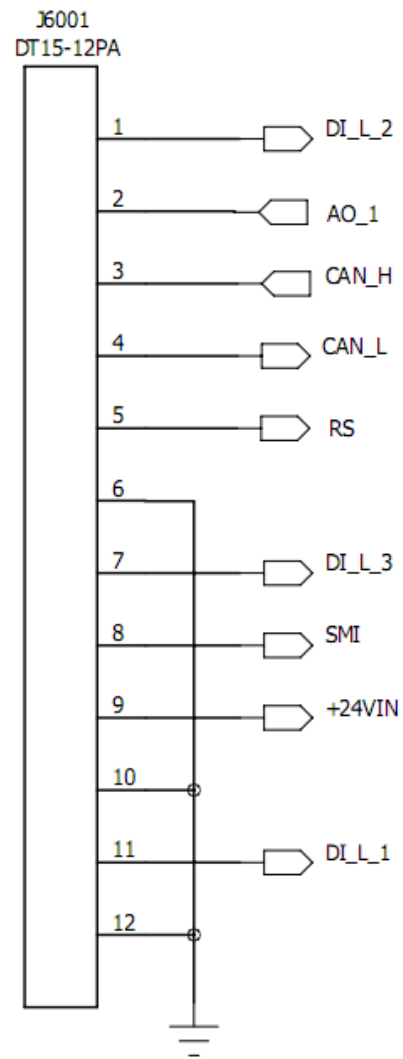


Figure4 12pin connector of SECD-517A-02

Xin Yan