

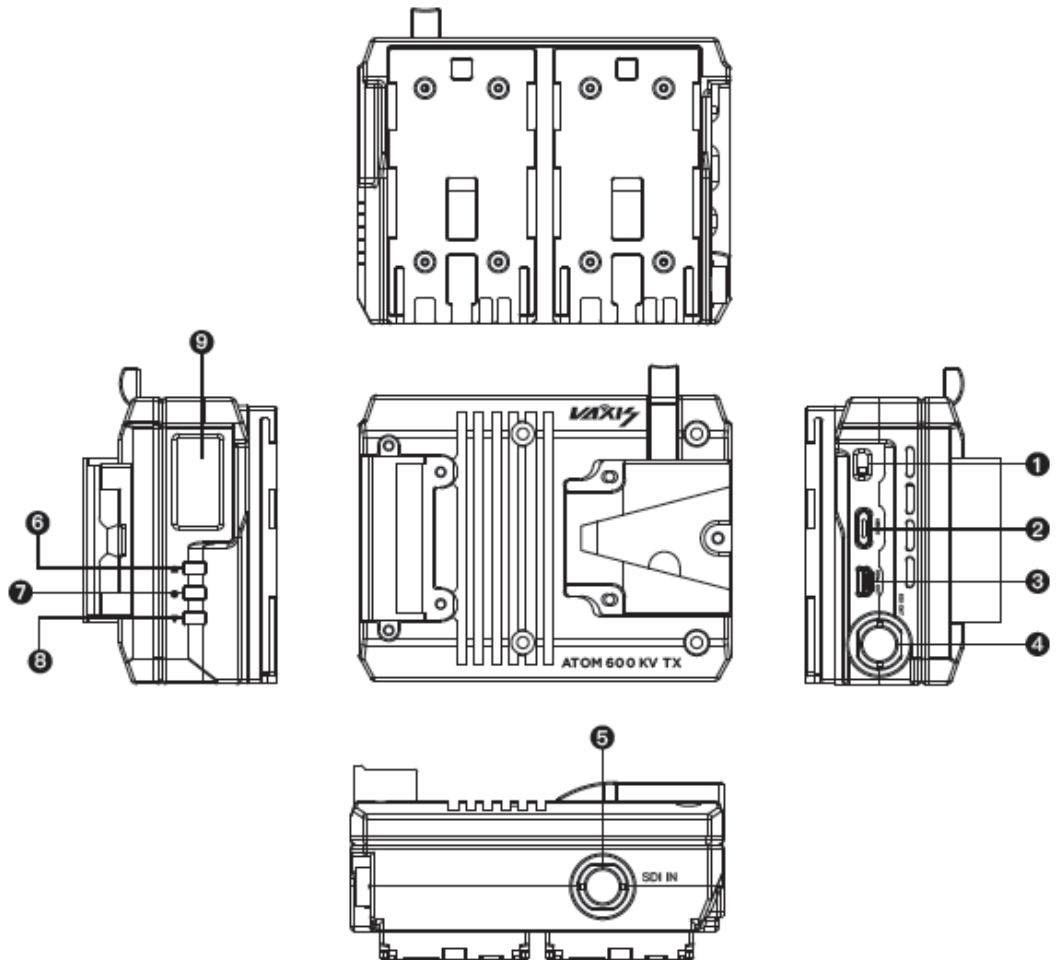
Vaxis · ATOM 600 KV (TX)

Wireless Video System

To Our Customers:

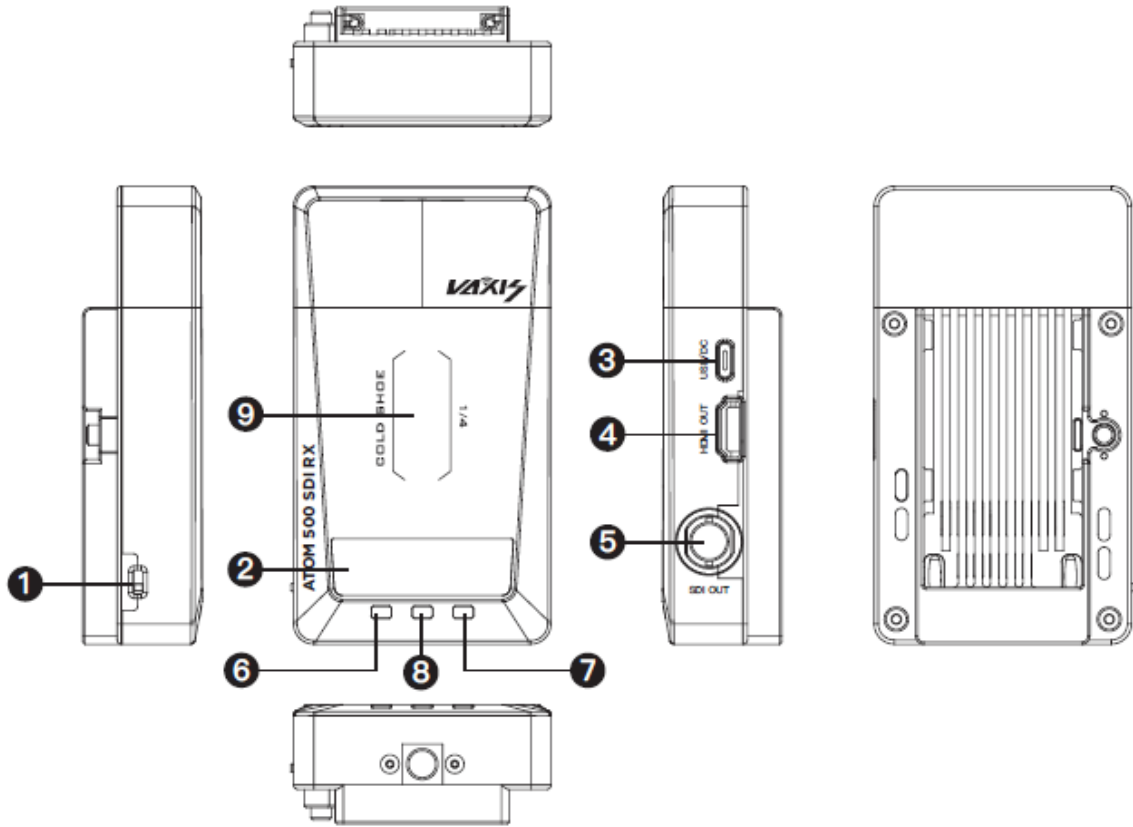
Thank you for your recent purchase of the Vaxis Atom 600 KV. We created this product with you in mind and hope you will find the Atom 600 KV useful.

Transmitter Interface



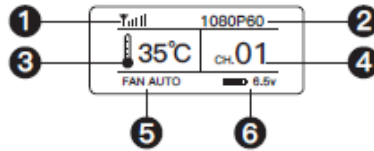
- | | | | |
|----------------|-----------------|------------------|-----------|
| ① Power Switch | ② USB Interface | ③ Micro-HDMI Out | ④ SDI Out |
| ⑤ SDI Input | ⑥ Up | ⑦ Menu/OK | ⑧ Down |
| ⑨ OLED Display | | | |

Receiver Interface



- 1** Power Switch
- 2** OLED Display
- 3** USB Interface
- 4** HDMI Output
- 5** SDI Output
- 6** Up
- 7** Down
- 8** Menu/OK
- 9** 1/4 20 Screw Mount

OLED Display



- ① Signal Strength
- ② Video Format
- ③ Temperature
- ④ Channel
- ⑤ Fan Mode
- ⑥ Battery Voltage

Operations Guide

1. CHANNEL SWITCH

Press the left or right button to switch between channels, and press the middle button to confirm. The receiver will automatically adjust to the same channel as selected by the transmitter.

▶ ACCESSIBILITY
STEP
SCANNER
BACK

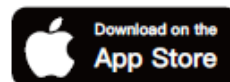
2. FAN MODE

Long press the left button for 3s to enter the fan mode menu. Options include FAN LOW, FAN HIGH, FAN AUTO, and FAN OFF.

3. APP MONITORING

Long press the right button for 3s, and the screen will show a QR code. Scan the code with our app: Vaxis Vision, and your mobile phone will be paired to the TX.

APP Download



Scan to download Vaxis Vision from App Store.

4. This device is a non-handheld device, and the distance between the device and people is greater than 20cm during work.

Specification

	600 KV TX	RX
Interface	SDI Input; SDI/HDMI Loop Out	HDMI Output/SDI Output
Voltage	6–18V	5V DC
Power	<6.5w	<6.5w
HDMI Input Video Format	/	/
HDMI Output Video Format	720P@50/60Hz 1280*1024@60Hz 1080I@50/60Hz 1080P@24/25/30/50/60Hz	720P@50/60Hz 1280*1024@60Hz 1080I@50/60Hz 1080P@24/25/30/50/60Hz
SDI Input Video Format	720P@50/60Hz 1080I@50/59.94/60Hz 1080P@23.98/24/25/29.97/30 50/59.94/60Hz 1080PSF23.98/24//25/29.97/30Hz	/
SDI Output Video Format	720P@50/60Hz 1080I@50/59.94/60Hz 1080P@23.98/24/25/29.97/30 50/59.94/60Hz 1080PSF23.98/24/25/29.97/30Hz	720P@50/60Hz 1080I@50/59.94/60Hz 1080P@23.98/24/25/29.97 30/50/59.94/60Hz 1080PSF23.98/24/25/29.97/30Hz
Weight	400g	170g
Dimensions	96.5*74*50.4mm	113*63.5*20mm
Frequency	5GHz	
Transmission Power	17dbm	
Delay	80ms	
RX Sensitivity	-80dbm	

FCC Statement

This device complies with Part 15 of the FCC Rules. Operation is subject to the following two conditions: (1) this device may not cause harmful interference and (2) this device must accept any interference received, including interference that may cause undesired operation.

Any Changes or modifications not expressly approved by the party responsible for compliance could void the user's authority to operate the equipment.

Note: This equipment has been tested and found to comply with the limits for a Class B digital device, pursuant to part 15 of the FCC Rules. These limits are designed to provide reasonable protection against harmful interference in a residential installation. This equipment generates uses and can radiate radio frequency energy and, if not installed and used in accordance with the instructions, may cause harmful interference to radio communications. However, there is no guarantee that interference will not occur in a particular installation. If this equipment does cause harmful interference to radio or television reception, which can be determined by turning the equipment off and on, the user is encouraged to try to correct the interference by one or more of the following measures:

- Reorient or relocate the receiving antenna.
- Increase the separation between the equipment and receiver.
- Connect the equipment into an outlet on a circuit different from that to which the receiver is connected.
- Consult the dealer or an experienced radio/TV technician for help.

The device has been evaluated to meet general RF exposure requirement. The device can be used in portable exposure condition without restriction.

Part 15B Equipment

This equipment has been tested and found to comply with the limits for a Class B digital device, pursuant to part 15 of the FCC rules. These limits are designed to provide reasonable protection against harmful interference in a residential installation. This equipment generates, uses and can radiate radio frequency energy and, if not installed and used in accordance with the instructions, may cause harmful interference to radio communications.

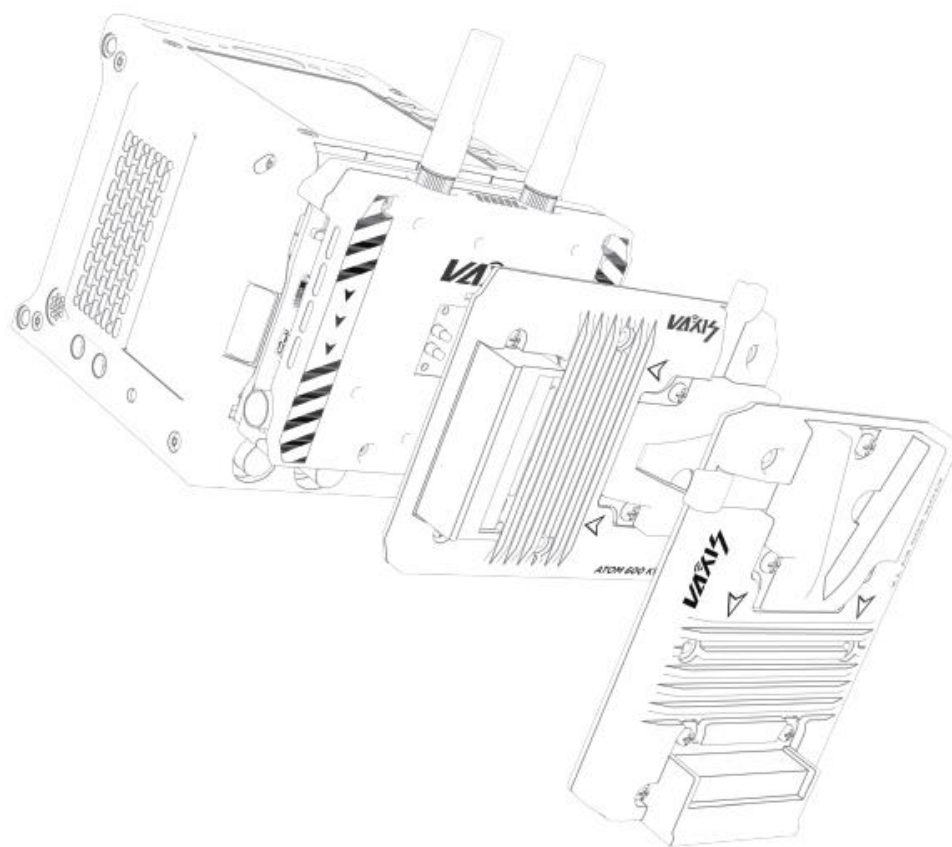
However, there is no guarantee that interference will not occur in a particular installation. If this equipment does cause harmful interference to radio or television reception, which can be determined by turning the equipment off and on, the user is encouraged to try to correct the interference by one or more of the following measures:

- Reorient or relocate the receiving antenna.
- Increase the separation between the equipment and receiver.

Connect the equipment into an outlet on a circuit different from that to which the receiver is connected.

- Consult the dealer or an experienced radio/TV technician for help.

Any changes or modifications not expressly approved by the manufacturer could void the user's authority to operate the equipment

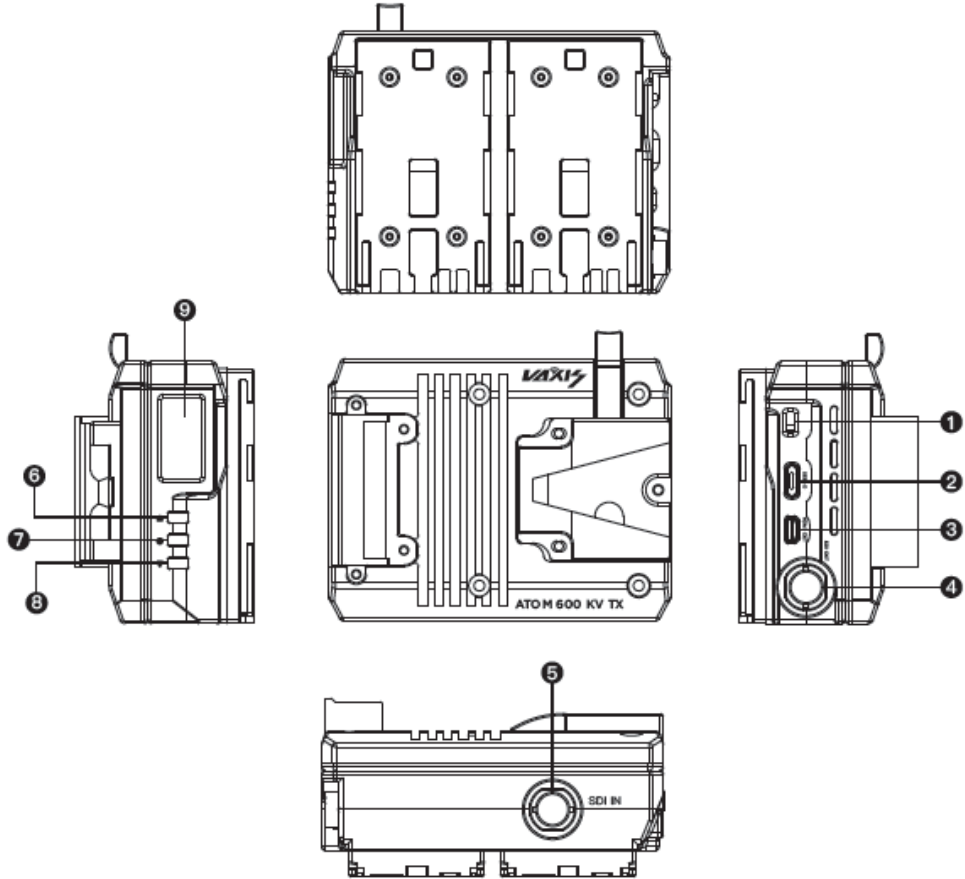


威固·原子600 KV (TX) Wireless Video System

亲爱的用户：

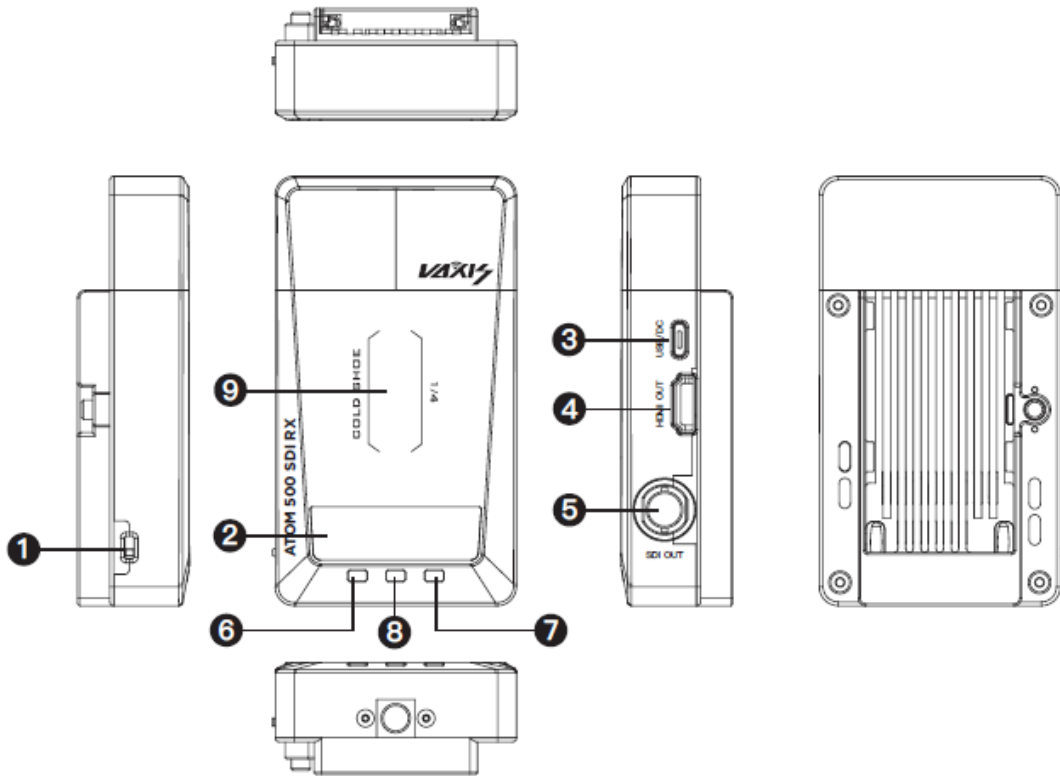
非常感谢您选购原子600KV无线视频传输设备，本产品采用H.265图像编解码技术和5G无线传输技术，实现低延迟高画质视频传输。我们衷心希望您能从产品使用中获得长久的便利，祝您从该产品获得最好的体验。

发射器



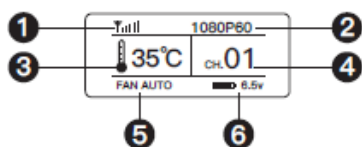
- ① 电源开关 ② USB-C ③ HDMI输出 ④ SDI输出 ⑤ SDI输入
- ⑥ 方向按钮 ⑦ 菜单按钮 ⑧ 方向按钮 ⑨ OLED屏幕

接收器接口



- ① 电源开关 ② 显示屏幕 ③ USB-C输入 ④ HDMI输出 ⑤ SDI输出
⑥ 方向按钮 ⑦ 方向按钮 ⑧ 菜单按钮 ⑨ 扩展配件安装

OLED 屏幕



- ① 信号强度
- ② 视频格式
- ③ 设备温度
- ④ 信号频道
- ⑤ 风扇状态
- ⑥ 电池电压

常用操作指南

1. 频道切换方式

按“左右方向按钮”键进行切换频点，
按“菜单按钮”键确认频点，接收器会
自动同步切换连接频点。

▸ 辅助
设置
扫频
退出

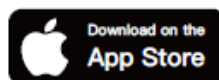
2. 风扇调节

长按“左方向按钮”3秒，进入风扇调节选择菜单，可选择“低速（FAN LOW）”、“高速（FAN HIGH）”、“自动（FAN AUTO）”、“关闭（FAN OFF）”

3. APP扫码监看

长按“右方向按钮”3秒，屏幕显示APP连接二维码，APP扫码连接即可进行监看

APP安装与使用

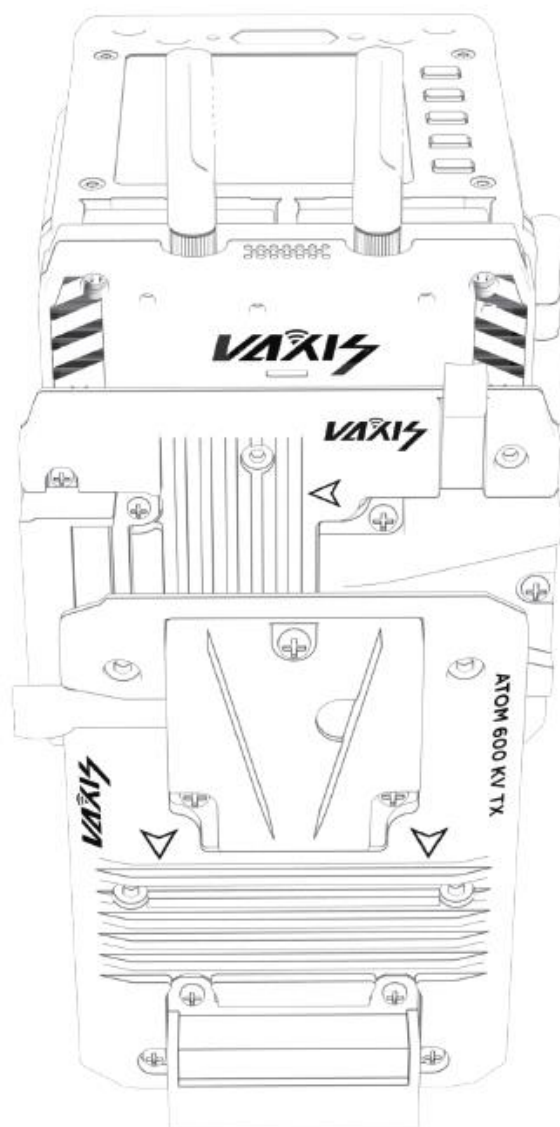


扫描二维码下载 Vaxis Vision

技术参数

	600 KV TX	接收器
接口	SDI输入/SDI输出/HDMI输出	HDMI输出/SDI输出
供电	5V DC	5V DC
功耗	<6.5w	<6.5w
HDMI输入 视频格式	/	/
HDMI输出 视频格式	720P@50/60Hz 1280*1024@60Hz 1080I@50/60Hz 1080P@24/25/30/50/60Hz	720P@50/60Hz 1280*1024@60Hz 1080I@50/60Hz 1080P@24/25/30/50/60Hz
SDI输入 视频格式	720P@50/60Hz 1080I@50/59.94/60Hz 1080P@23.98/24/25/29.97/30 50/59.94/60Hz 1080PSF23.98/24//25/29.97/30Hz	/
SDI输出 视频格式	720P@50/60Hz 1080I@50/59.94/60Hz 1080P@23.98/24/25/29.97/30 50/59.94/60Hz 1080PSF23.98/24//25/29.97/30Hz	720P@50/60Hz 1080I@50/59.94/60Hz 1080P@23.98/24/25/29.97 30/50/59.94/60Hz 1080PSF23.98/24/25/29.97/30Hz
重量	400g	170g
尺寸	96.5*74*50.4mm	113*63.5*20mm
传输频段	5GHz	
发射功率	17dbm	
传输延时	80ms, 干扰环境120ms	
接收灵敏度	-80dbm	

www.vaxisglobal.com



湖南光魔科技有限公司
HN Gmcine Technology Co., Ltd.

电话: +86400-014-7080



威固官方网站



微信公众号