

D-AIR Air-Suspension Control Unit

Install Guide

Step 0 Prepare for Install

Step 1 ACU Install

Step 2 Sensor Install

Step 3 D-AIR Install



FCC Information to User

This equipment has been tested and found to comply with the limits for a Class B digital device, pursuant to Part 15 of the FCC Rules. These limits are designed to provide reasonable protection against harmful interference in a residential installation. This equipment generates, uses and can radiate radio frequency energy and, if not installed and used in accordance with the instructions, may cause harmful interference to radio communications. However, there is no guarantee that interference will not occur in a particular installation. If this equipment does cause harmful interference to radio or television reception, which can be determined by turning the equipment off and on, the user is encouraged to try to correct the interference by one of the following measures:

- Reorient or relocate the receiving antenna.
- Increase the separation between the equipment and receiver.
- Connect the equipment into an outlet on a circuit different from that to which the receiver is connected.
- Consult the dealer or an experienced radio/TV technician for help.

Caution

Modifications not expressly approved by the party responsible for compliance could void the user's authority to operate the equipment.

Revision
18 August
2016

Step 0

Prepare for Install

Step 0 Prepare for Install Specification

1. Hardware

Parameter	Value	Description	Part Number
Main Power	12V	12V	
Current	Max 10A		
Control Suspension	8 WAY (FBSS)	Supported 4 Each Suspension	
Control Power	12V	Follow a Main Power	
Fuse for Board	Built-In	Default 5A	
Compressor Sensor	Supported	200PSI, 14.06kgf/cm ² , 13.8Bar	ACU-SP-802
Compressor Switch	Supported	OFF = N/C ON = 12V (For Relay. Do not direct to load)	
Bluetooth	Built-In	Supported Bluetooth 4.1 BLE	ACU-MB-901
Sensor	4 WAY	0~5V Analog Voltage	







Step 0 Prepare for Install Specification

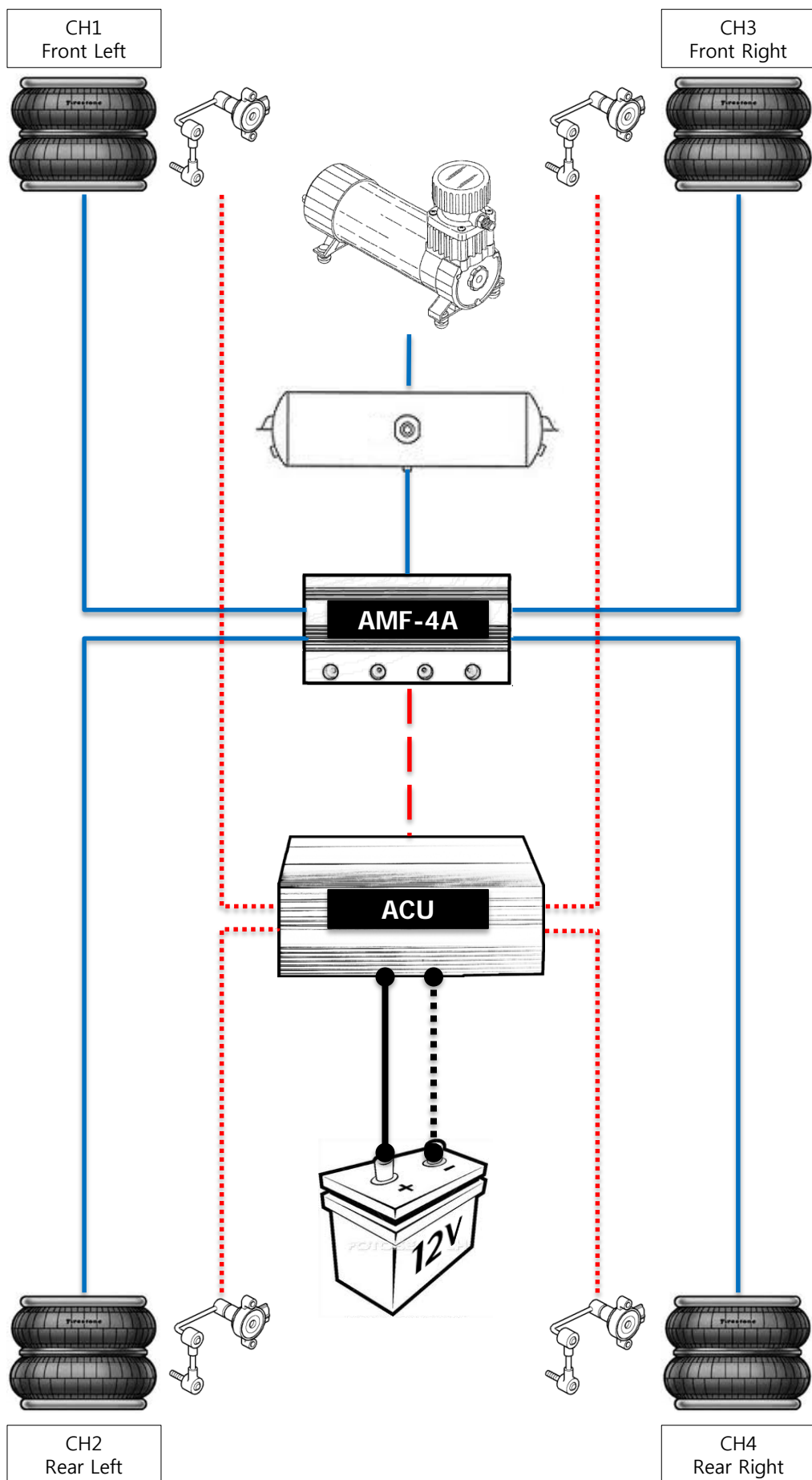
2. Software & Function

Parameter	Value	Description
Manual Control	FBSS	Up & Down Each Suspension
Memory Control	5EA	1,2,3,4 and Drop
Control Speed	Researching	Split Control S/V Fireware Update Comming Soon
Compressor Switch	Variable	Default ON=110PSI, OFF=150PSI
Hold Level	Supported	Real-time Monitoring Height Level and Automatic Adjust
Refloat	Supported	If under the Drop Memory Height then Adjust Height Level
Anti-Freeze	Supported	Active when Parked
Trigger Function	4EA	ex) Door Lock, Trunc, ACC
Bluetooth Function	Full-Function	All Control and Set Parameter
Android Program	Supported	Download Android App "D-AIR"
Windows Program	Supported	Communication Bluetooth 4.1 BLE

Step 0 Prepare for Install

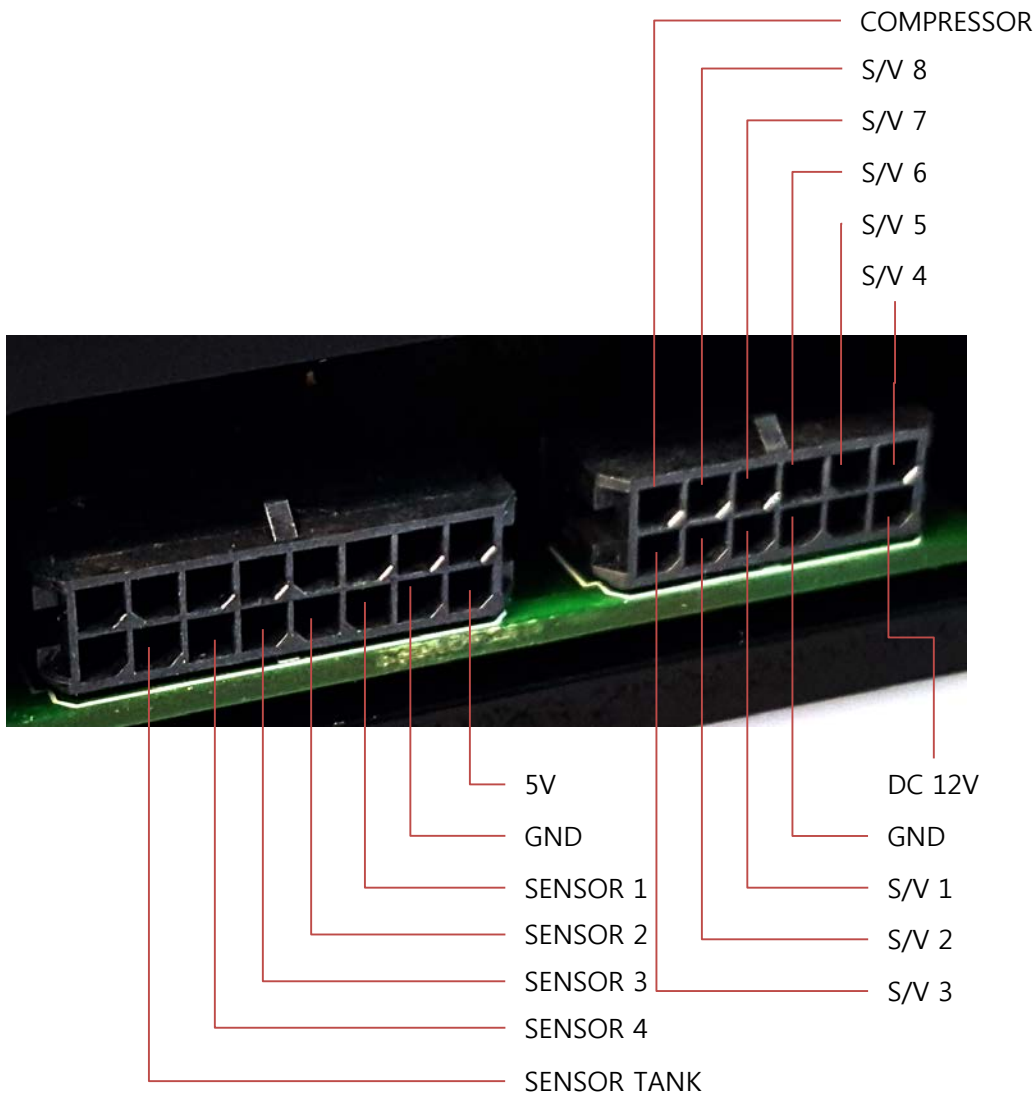
ACU Structure Basic

-  Air Tube
-  Sensor Cable
-  Main Cable
-  +12V
-  GND
-  ACC

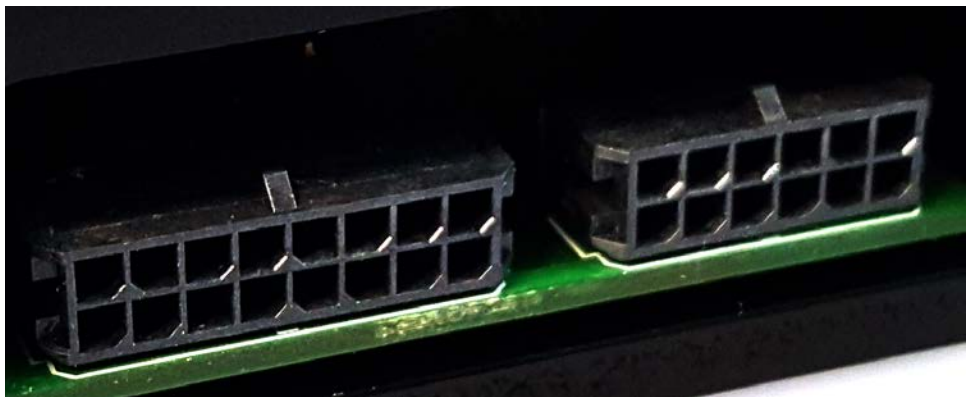


Step 0 Prepare for Install

ACU Panel Connector Assign

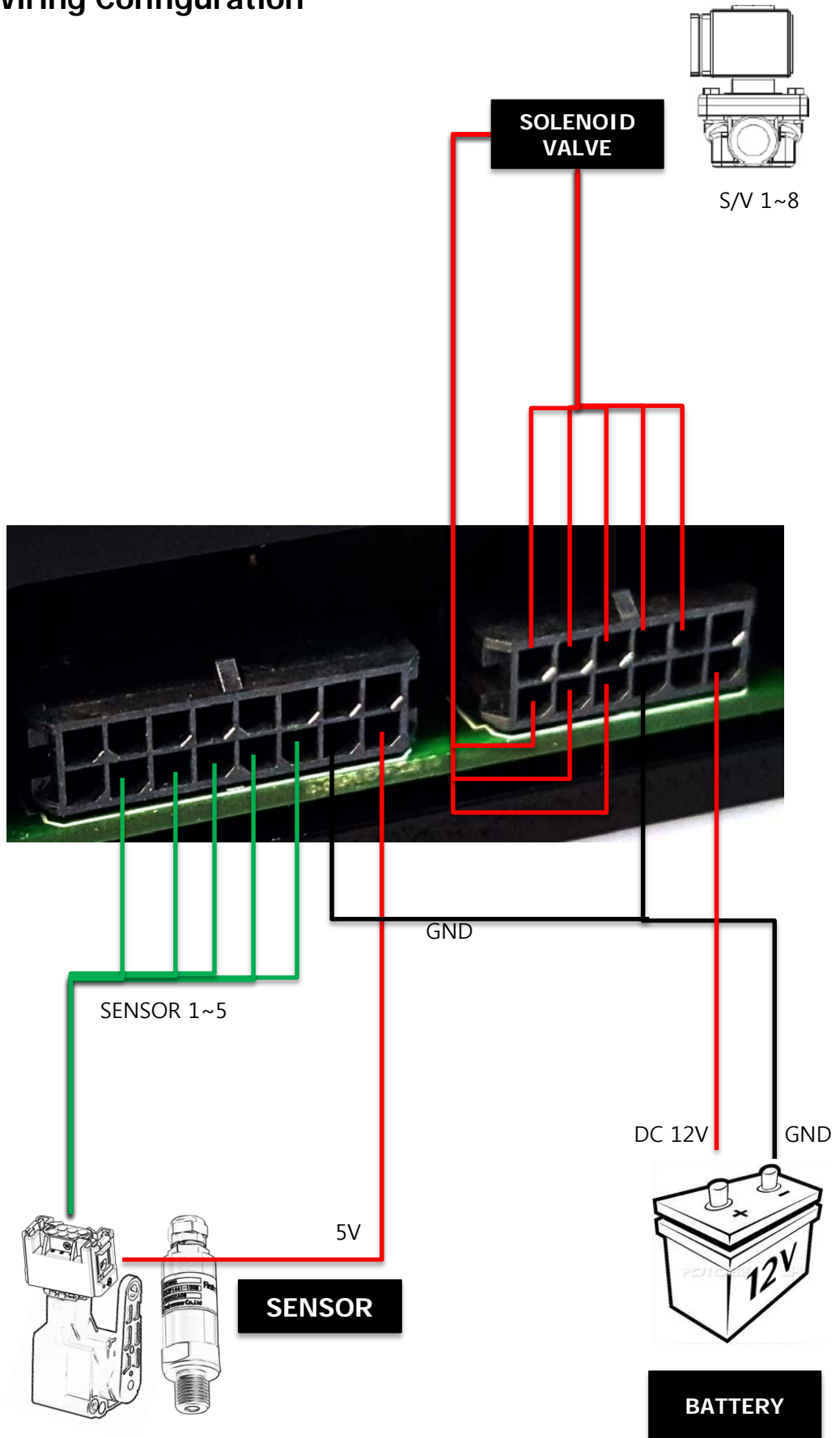


Step 1 ACU Install



Step 1 ACU Install

Wiring Configuration

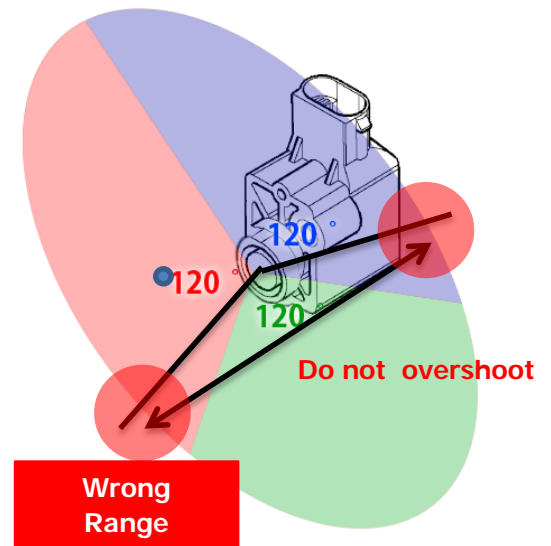
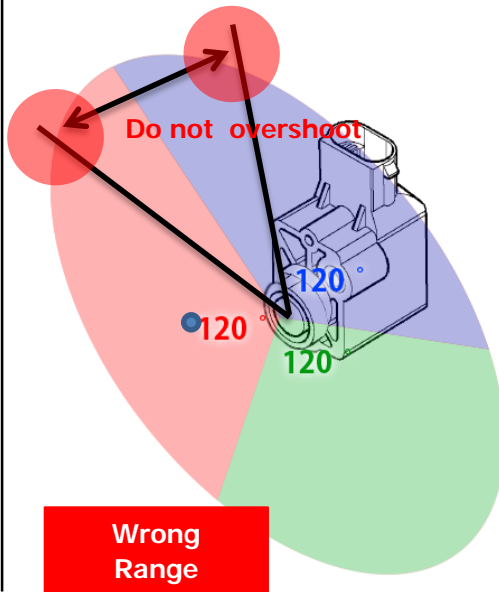
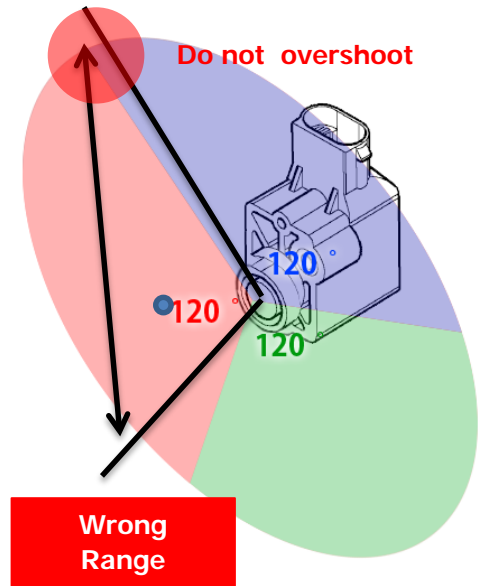
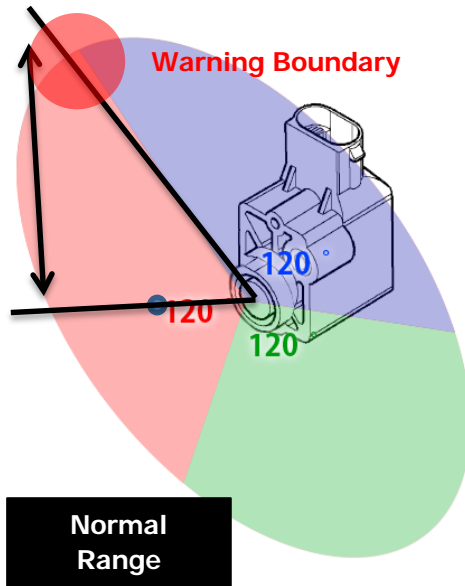
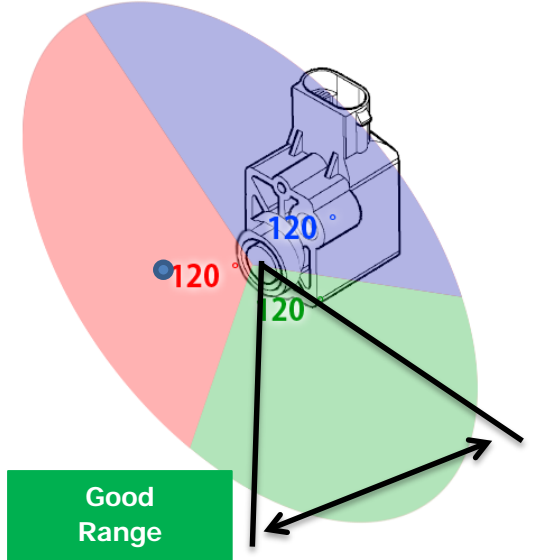
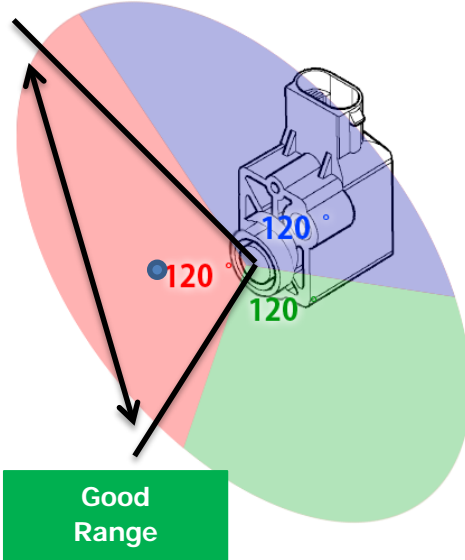


Step 2 Sensor Install



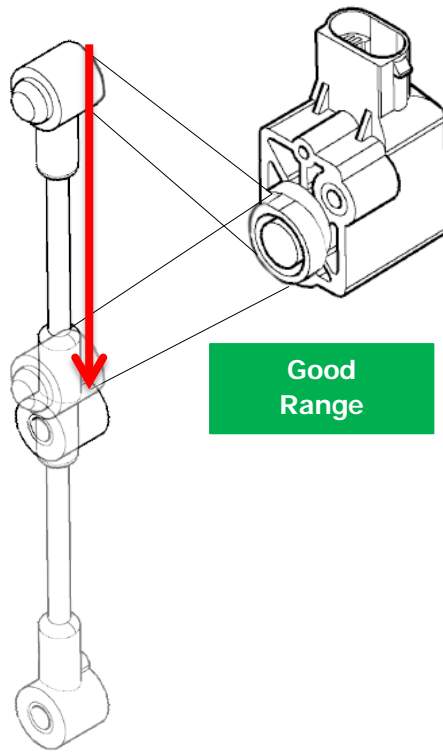
Step 2 Sensor Install

1. ACU Height Sensor Rotation Range

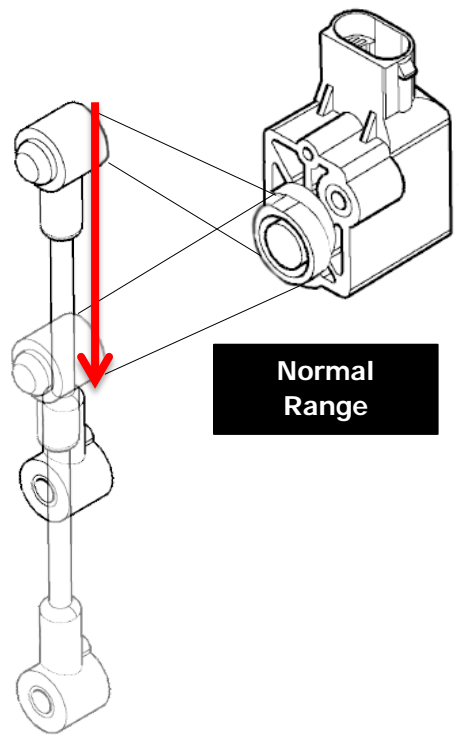


Step 2 Sensor Install

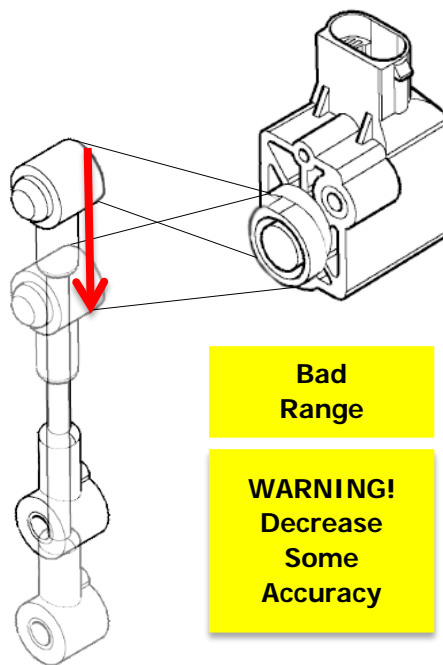
2. ACU Height Sensor Accuracy



**Good
Range**

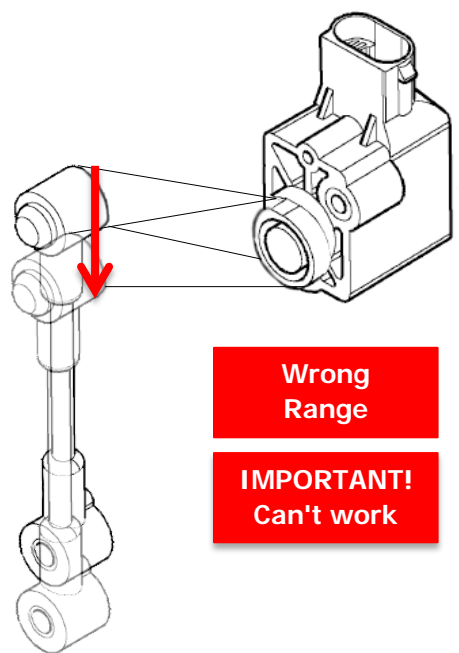


**Normal
Range**



**Bad
Range**

**WARNING!
Decrease
Some
Accuracy**

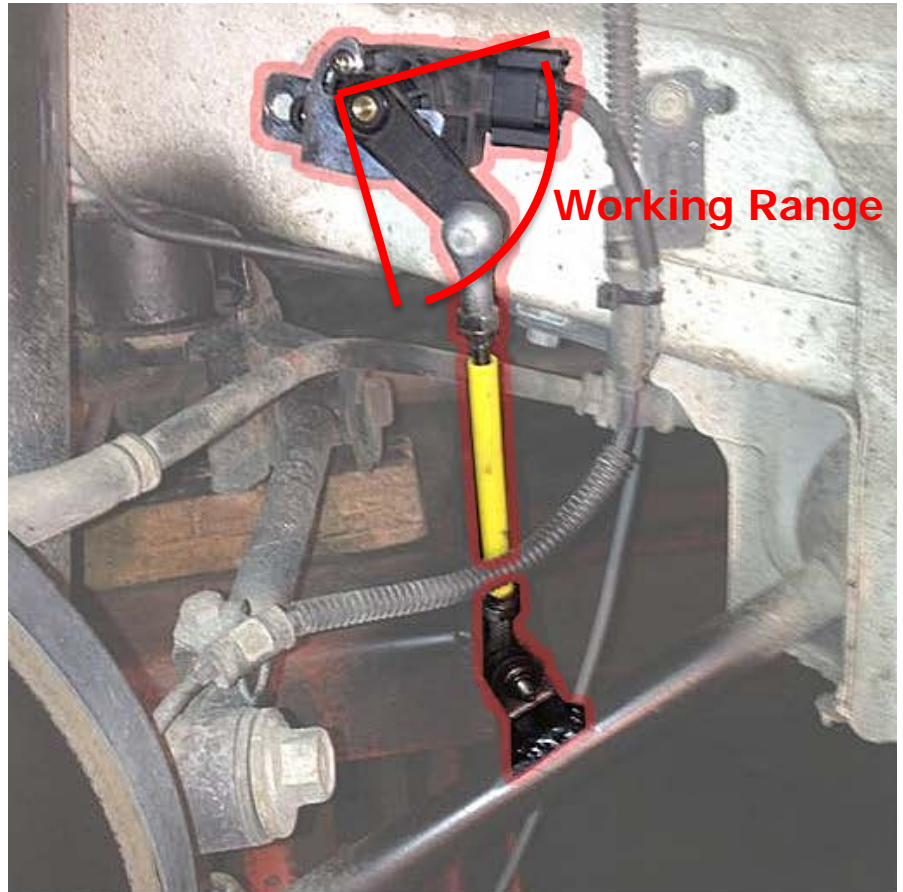


**Wrong
Range**

**IMPORTANT!
Can't work**

Step 2 Sensor Install

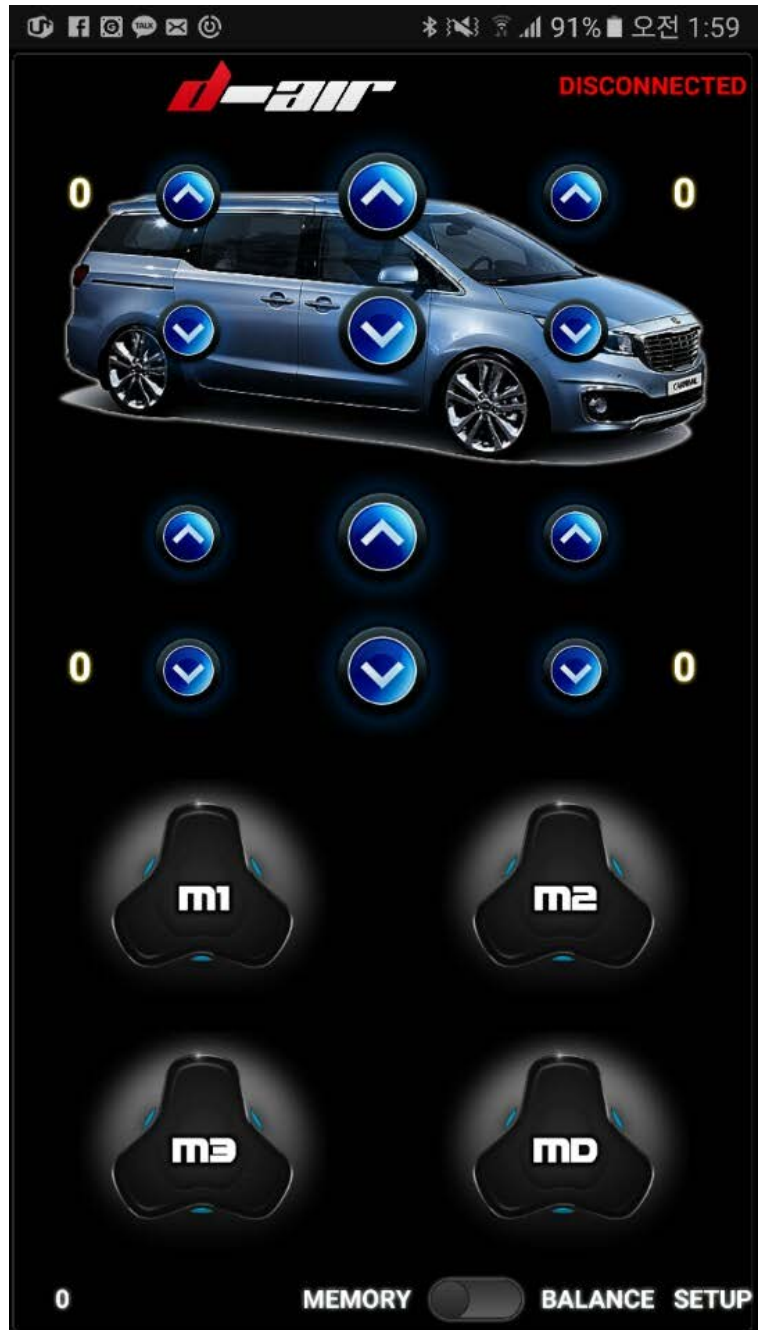
2. Example for Height Sensor Install



Step 3

D-AIR App

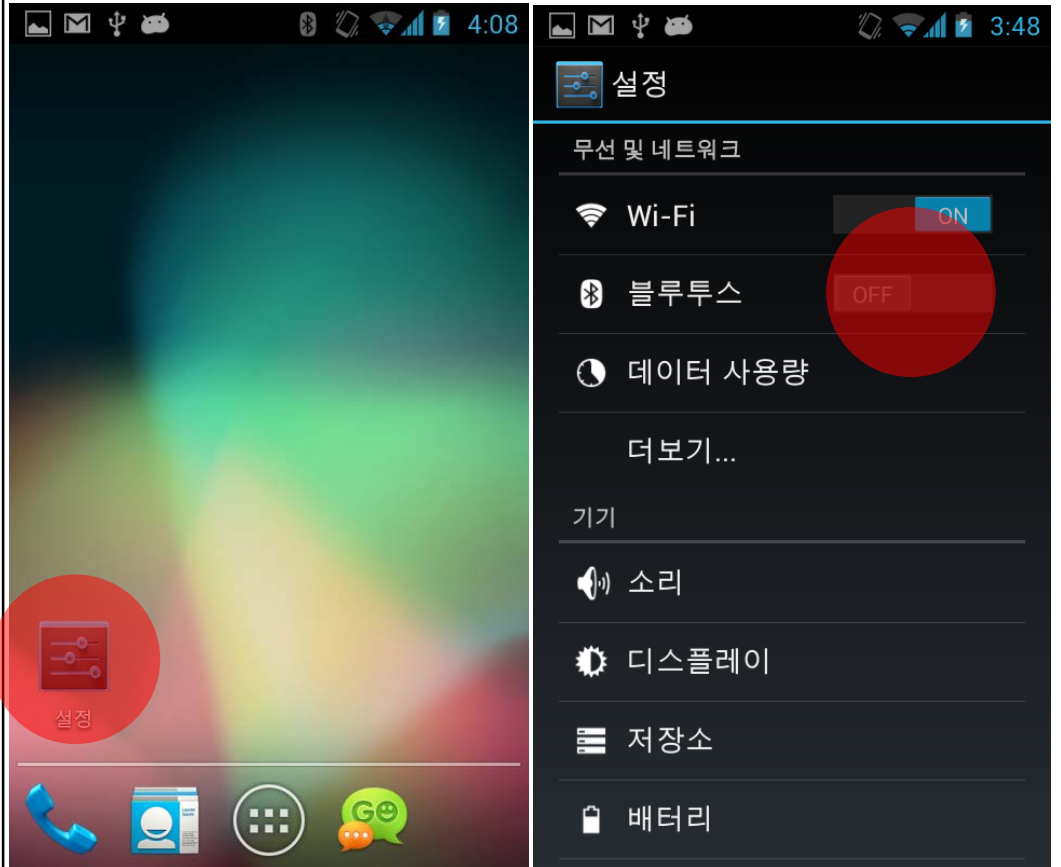
Install



Step 3 D-AIR App Install

Sub A D-AIR App Download & Install

1. Android Setting - Bluetooth On



Step 3 D-AIR App Install

Sub A D-AIR App Download & Install

2. Download "D-AIR" App in Homepage(dairsystem.com)

d-air system ORDER AND CONTACT AIRRIDEPARTS@GMAIL.COM

Android Bluetooth App

D-AIR MANAGEMENT CONTROLLER

Specification

Power
12 ~ 24V

Output
Solenoid Valve x 8
Compressor Switch x 1

Input
Height Sensor(0~5V) x 4
Tank Pressure Sensor x 1

Feature
Leveling Height Memory x 4
Split Control
Height Holding(Auto Adjust)
Compressor Setting(ON, OFF PSI)
Leveling Setting(Time, Condition, Response)

HEIGHT SENSOR KIT (WITH BRACKET, PARTS)

\$280 (30% OFF SALE)

\$110

Agency
China - #809,Unit2,NanguangCityBuilding,No.98,Chuangye-Road,Nanshan,Shenzhen,Guangdong,China. 518054
U.S.A - Preparing

dairsystem.com

D-AIR

기존 애플리케이션에 업데이트를 설치하시겠습니까?
기존 데이터는 손실되지 않습니다. 업데이트된 애플리케이션이 다음에 액세스할 수 있습니다.

새 권한 전체

- 대략적인 위치(네트워크 기반)
정확한 위치(GPS 및 네트워크 기반)
- SD 카드의 콘텐츠 수정 또는 삭제
SD 카드의 콘텐츠 읽기
- 전화번호 자동 연결
비용이 부과될 수 있습니다.
휴대전화 상태 및 ID 읽기
- 사진과 동영상 찍기
- 소유자에게 알리지 않고 캘린더 일정을 추가 또는 수정하고 참석자에게 이메일 전송
캘린더 일정 및 기밀정보 읽기

취소 설치

Step 3 D-AIR App Install

Sub A D-AIR App Download & Install

3. Run "D-AIR" and Bluetooth Connect



Disconnected = Red

Bluetooth Device List

select a device to connect

No devices have been paired

No devices have been paired

Other Available Devices

Scan for devices

ACU
00:12:06:05:04:40

Step 3 D-AIR App Install

Sub A D-AIR App Download & Install

4. Function

