

# IMPORTANT SAFETY INSTRUCTIONS

## SAVE THESE INSTRUCTIONS

When using the AeroGarden® Grow Light, basic precautions should always be followed. Read all instructions before using your AeroGarden® product.

### DANGER! - To reduce the risk of electric shock:

1. The AeroGarden® Grow Light has a specific plug. Do not change or modify the plug in any way
2. Always unplug the AeroGarden Light from electrical outlet before cleaning

### WARNING! - to reduce risk of burns, fire, electric shock, or injury to persons:

3. Unplug the AeroGarden Light from outlet before putting on or taking off parts
4. Please take proper precautions when operating an AeroGarden Light near or by individual requiring close supervision, including children
5. Use the AeroGarden Light only for its intended use as described in its instructions
6. Never operate the AeroGarden Light if it has a damaged cord or plug, if it's not working properly, if it has been dropped and damaged, or if it has been dropped in water. If any of these conditions occur/exist, contact [www.AeroGardenSupport.com](http://www.AeroGardenSupport.com) or your country's local distributor for instructions
7. Keep cord away from heated surfaces
8. Never operate furnishing with air openings blocked. Keep air openings free of lint, hair, and the like
9. Never drop or insert any object into any electrical openings
10. Do not use outdoors
11. Do not operate where aerosol (spray) products are being used or where oxygen is being administered
12. Do not touch moving parts, or hot parts, such as pumps, lights, reflective surfaces, and the like
13. To disconnect, remove plug from outlet
14. Do not place or submerge base, cord, plug, or light hood in water or other liquid to clean it
15. Do not allow water to contact hot LED Grow Light
16. Use only approved and supplied parts and accessories. Use of any other kind of accessory is not recommended. Replacement parts can be ordered from [AeroGarden.com](http://AeroGarden.com)
17. Do not use the AeroGarden light for other than its intended purpose
18. This product is intended for household and residential use only. This product is not approved for commercial applications
19. If supply cord is damaged, it must be replaced by manufacturer, its service agent, or similarly qualified technician in order to avoid hazard
20. Electrical wiring must be in accordance with local regulations
21. This appliance is not intended for use by persons (including children) with reduce physical, sensory or mental capabilities, or lack of experience and knowledge, unless they have been given supervision or instruction concerning use of appliance by a person responsible for their safety
22. Children should be supervised to ensure that they do not play with the appliance

This device complies with Part 15 of the FCC Rules. Operation is subject to the following two conditions: (1) this device may not cause harmful interference, and (2) this device must accept any interference received, including interference that may cause undesired operation.

**Warning:** Changes or modifications to this unit not expressly approved by the party responsible for compliance could void the user's authority to operate the equipment. Note: This equipment has been tested and found to comply with the limits for a Class B digital device pursuant to part 15 of the FCC Rules. These limits are designed to provide reasonable protection against harmful interference in a residential installation. This equipment generates, uses and can radiate radio frequency energy and if not installed and used in accordance with the instructions, may cause harmful interference to radio communications. However, there is no guarantee that interference will not occur in a particular installation. If this equipment does cause harmful interference to radio or television reception, which can be determined by turning the equipment off and on, the user is encouraged to try to correct the interference by one or more of the following measures: -Reorient or relocate the receiving antenna. -Increase the separation between the equipment and receiver. -Connect the equipment into an outlet on a circuit different from that to which the receiver is connected. -Consult the dealer or an experienced radio/TV technician for help.

The device has been evaluated to meet general RF exposure requirement. To maintain compliance with FCC's RF exposure guidelines, this equipment should be installed and operated with a minimum distance of 20cm between the radiator and your body.

### LIMITED WARRANTY

**WHAT IS COVERED** – This warranty covers any defects in materials or workmanship, with the exceptions stated below.

**HOW LONG COVERAGE LASTS** – This warranty runs for one (1) year on the LED Grow Light from the date of original purchase, for the original purchaser/user.

**WHAT IS NOT COVERED** – The warranty shall not apply to problems arising from: normal wear; failure to adhere to enclosed operating instructions; serial numbered products if the serial number has been removed or defaced; products subject to negligence, accident, improper use, maintenance or storage; products damaged by circumstances beyond AeroGrow International Inc.'s control; loss or damage to removable parts; or products modified (including, but not limited to, modifications through the use of unauthorized parts or attachments) or repaired by anyone other than AeroGrow International, Inc., or its designee. This warranty excludes all incidental or consequential damages.

**WHAT AEROGROW WILL DO** – AeroGrow International, Inc., at its option, will repair any defect in materials or workmanship or will replace this product with ones of similar features and price. AeroGrow International, Inc.'s sole obligation and your exclusive remedy under this warranty shall be limited to such repair or replacement.

**TO RETURN THIS PRODUCT** – For any questions or concerns, or for more information, visit our website at [www.aerogarden.com](http://www.aerogarden.com). Our customer service representatives are available via Live Chat and Email. Please do not return any product without contacting AeroGrow for return authorization. Unauthorized returns, as well as C.O.D. shipments, will be refused. For more information regarding returns, please see the Returns section at [www.AeroGarden.com](http://www.AeroGarden.com)

Due to continuing improvements, actual product may differ slightly from the product described herein. Some states do not allow the exclusion or limitation of incidental or consequential damages, so the above limitation or exclusion may not apply to you. This warranty gives you specific legal rights, and you may have other legal rights that vary from state to state.



AeroGrow International, Inc., P.O. Box 18450, Boulder, CO 80308-1450  
©2022 AeroGrow International, Inc. [www.aerogarden.com](http://www.aerogarden.com) XXXXX-XX  
Designed in Boulder, CO. Made In China.

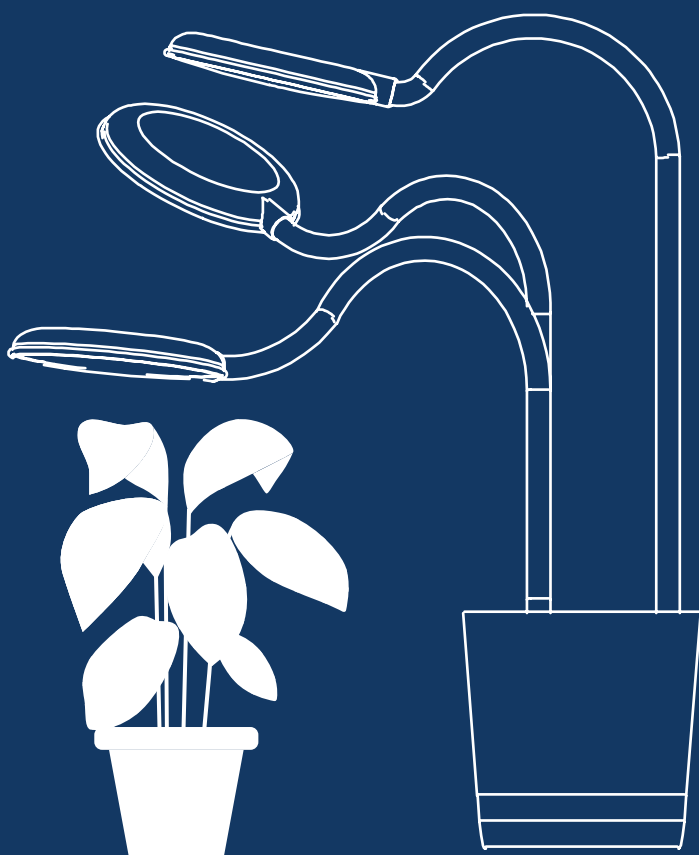


Electrical Ratings:  
Adapter: 100-240VAC 50/60Hz  
Light Panel: 12VDC 1.5A



# Trio Grow Light

## Quick Start Guide



We Got What  
You Need!

---

**Growing your favorite houseplant indoors has never been easier. With our innovative grow lights you can customize to your plants needs with our app.**

# Trio Grow Light

## Assembly Instructions

---

- 1** Connect the power cord adapter to your grow light's base.
- 2** Extend the adjustable arms above your plants, leaving about 3.5" of space between the light hood and the top of your plants.
- 3** Plug in to start your 10-hour ON light cycle.
- 4** Touch the top of the light hood(s) to manually turn on/dim/off the individual lights. You can also use the app to control settings together. For more custom features (like Light Modes, custom light schedule, and more), download the AeroGarden app on Apple or Google Play app stores.

## TIPS and TRICKS

---

- 1** For best results, maintain about 3.5" of grow height between the light hoods and the top of your plants.
- 2** To reset your light cycle, unplug and plug back your grow light.
- 3** AeroGarden Grow Lights provide customization for your plants. Experiment with light cycles, color modes, and dimming levels that work for you and your plants.

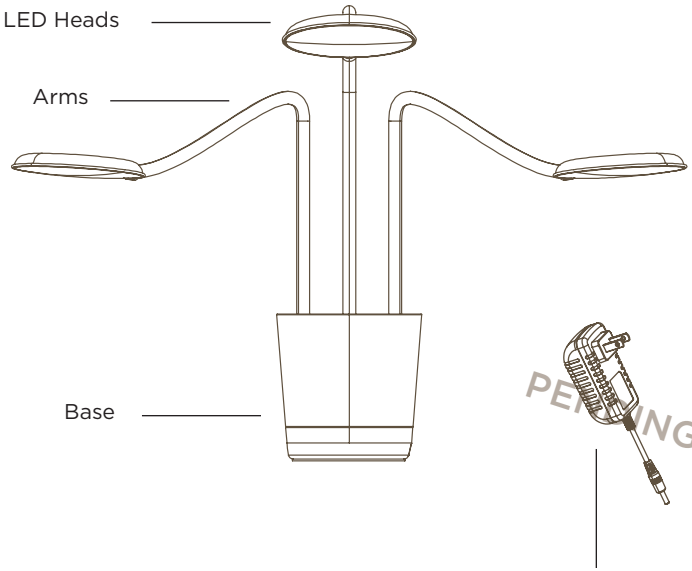
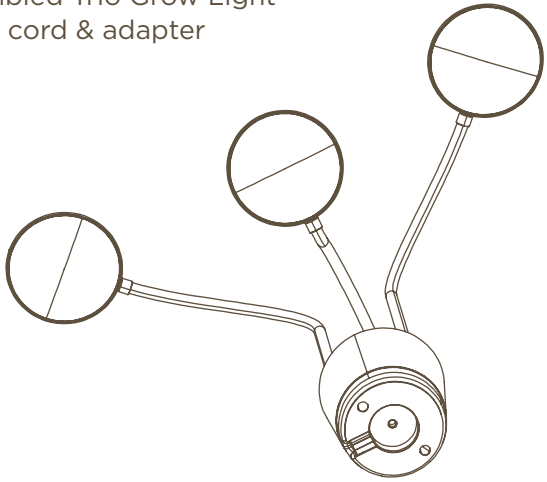
## Good to Know

---

- Connect your grow light to the AeroGarden app (found on Apple or Google Play app stores) to unlock additional features.
- Your grow light will start its Light ON cycle the moment it is plugged in
- Preset light cycle is 10 hours ON and 14 hours OFF in a 24 hour cycle, turning on at the same time every day. More customization in the app.
- The (3) light arms are about 12" when fully extended

# What's Included

- Assembled Trio Grow Light
- Power cord & adapter



## Additional Settings on your App:

- Easy on/off
- Customizable 0-100% dimming
- Customizable on/off light schedule, including adjustable length of ON time
- Customizable sunrise/sunset setting that provides a gentle dimming of your grow light to simulate sunrise and sunset
- 4 light modes to choose from: full spectrum, white, warm, and cool