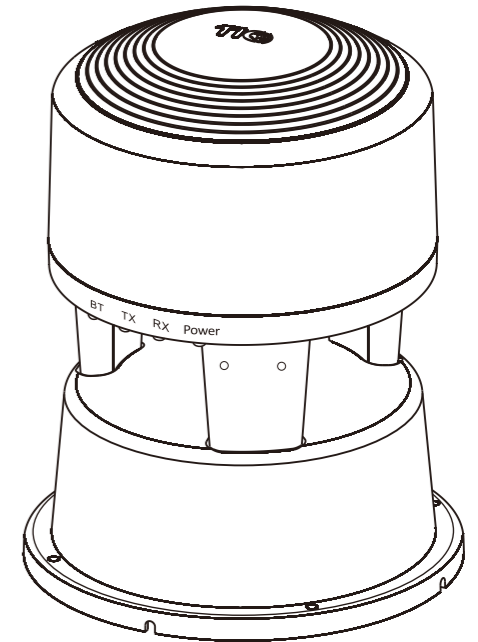




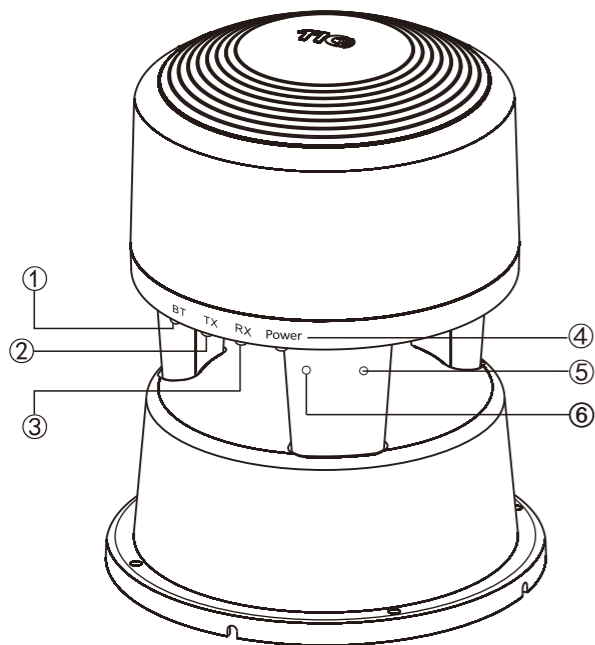
## **B503**

Outdoor Omnidirectional  
In-Ground/Surface-Mount  
Bluetooth® 5 Speaker

Instruction Manual

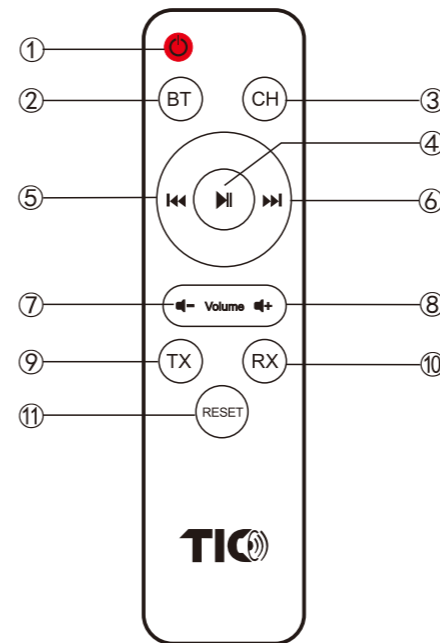


## Speaker Layout



- ① Bluetooth Button (BT)
- ② Transmitter Mode Button (TX)
- ③ Receiver Mode Button (RX)
- ④ Power Button
- ⑤ IR Remote Receiver Node
- ⑥ Bluetooth Indicator LED (Blue)

## Remote Control



- ① Power Button
- ② Bluetooth Button
- ③ Channel Button (press to switch between stereo, left channel, and right channel)
- ④ Play/Pause
- ⑤ Previous Track
- ⑥ Next Track
- ⑦ Decrease Volume
- ⑧ Increase Volume
- ⑨ Transmitter Mode
- ⑩ Receiver Mode
- ⑪ Reset Button

In the following instructional sections, when instructed to press a specific button, you can either aim the remote at the speaker and press the button or press the respective button on the device itself if it is available. Not every button is available on the actual speaker. Please note the position of the IR receiving node on the speaker when aiming the remote. The performance of the remote may degrade if the remote is not aiming directly at the node or if strong sunlight is interfering with the signal. The typical range of the remote is 30 feet. You may need to move closer if the signal is not receiving properly.

A single remote can control any compatible TIC speaker/device. Aim remote carefully if multiple speakers are placed in close proximity. Volume can be individually customized for each speaker via the remote. When the volume is adjusted on the connected Bluetooth device or music/video application, it will be applied to all speakers.

During broadcast mode, track control will only work when aiming at the main device. You can alternatively control the track directly on your Bluetooth device or music/video application.

## **Bluetooth Device Pairing**

1. Upon initially powering up, you should hear an opening tone. The blue LED light will be flashing slowly, indicating it is in standby mode. If the blue LED is solid, a Bluetooth device is already connected.
2. To pair a Bluetooth device (smartphone, tablet, computer, transmitter, etc.), double-click the Bluetooth (BT) button. You should hear the voice prompt “pairing”. The speaker is now in discovery mode.
3. In the Bluetooth setting menu of your Bluetooth device, search for “TIC BT Speaker” and connect. When you hear the voice prompt “connected”, the pairing process is completed. The blue LED is now solid.
4. To disconnect a connected Bluetooth device, double-click the Bluetooth button. The blue LED will be flashing again. You can then switch to another previously paired Bluetooth device by repeating step 3 on that device’s Bluetooth setting menu. To connect to a new Bluetooth device, repeat step 2 & 3.
5. If you want a full reset and delete all previous Bluetooth pairings, double click the Reset button.

*Note: The speaker can remember multiple Bluetooth devices. Speaker will automatically reconnect to the most nearby paired device within range each time you turn it on. The connection range is up to 300 feet (outdoor with clear line of sight) for Bluetooth 5.0 devices. The speaker is backward compatible with devices with older Bluetooth specifications. However, the range will be limited to the range of the older specification (such as ~20-50 feet for 4.0 devices).*

## **Multi-Speaker Broadcast Mode**

With broadcast mode, you can connect up to 100 compatible TIC Bluetooth 5 speakers/devices together to create a no-hassle multi-speaker sound system. In broadcast mode, one speaker will serve as the main transmitting device and all other speakers will serve as secondary receiving devices. The broadcast range is up to 300 feet in outdoor setting with clear line of sight. To optimize broadcast range in your multi-speaker sound system, we suggest choosing the most centralized speaker as the main transmitter device. In addition, elevating any device a few feet off ground level can maximize the broadcast transmitting/receiving range.

### To set up broadcast mode

1. Select the appropriate speaker as the main speaker. While not required, we recommend pairing the Bluetooth device first before setting up the broadcast mode. Press the Transmitter Mode (TX) button. You should hear the voice prompt “Transmitter Mode”.
2. On a secondary speaker, press the Receiver Mode (RX) button. You should hear the voice prompt “Receiver Mode”. If a speaker is already connected to a Bluetooth device (as indicated by a solid blue light), you will need to disconnect it first or the broadcast connection would not work in step 3.
3. Within 30 seconds, double-click “TX” button on the main unit and double-click “RX” button on the secondary unit. You should hear the voice prompt “searching” from both units. You will hear the voice prompt “connected” once the connection is completed.
4. If the connection is not made within 30 seconds, you may repeat step 1-3.
5. To add any additional secondary speaker, repeat step 2 and 3. Up to 100 devices can be added together.

### To exit broadcast mode

Press the Reset (or Bluetooth) button once to exit broadcast mode. If pressed on the main unit, it will stop the main speaker from broadcasting to all secondary speakers. If pressed on a secondary speaker, this specific secondary speaker will stop receiving and be allowed to connect to and play from a separately paired Bluetooth device.

### To restart/rejoin broadcast mode

For the main unit, press TX button to restart broadcast mode. You should hear the voice prompt “transmitter mode”. Broadcast mode will then resume shortly for all speakers (assuming secondary speakers are still in receiver mode). For any secondary unit, first disconnect any connected Bluetooth device by double-clicking the Bluetooth (BT) button. Press the RX button to resume receiving from the previously connected main speaker. You should hear the voice prompt “receiver mode” and broadcast mode will resume shortly.

### To switch main speaker

Exit broadcast mode for each speaker and redo the broadcast mode set up instructed in the previous page. Please remember to disconnect the Bluetooth device from the original main speaker before switching it to receiver mode.