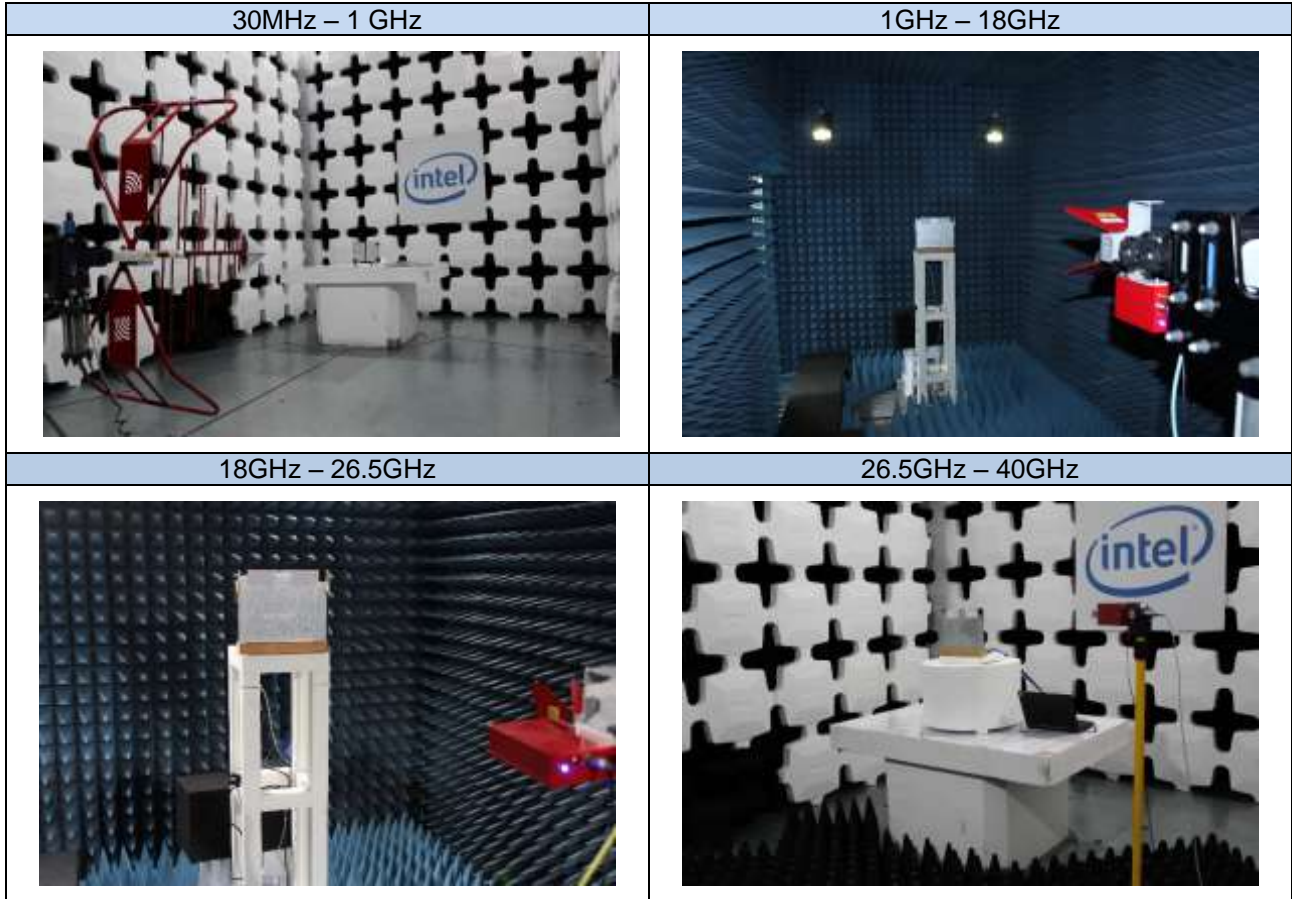
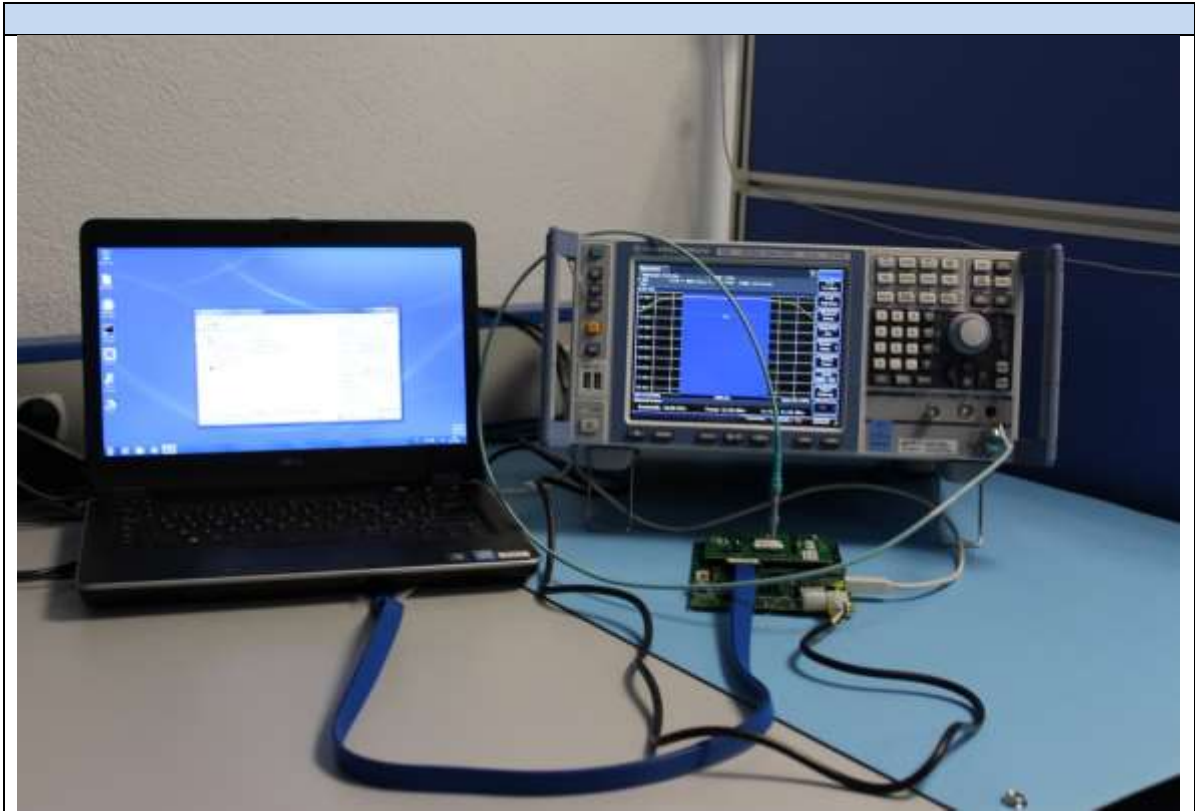


# Annex C. Photographs

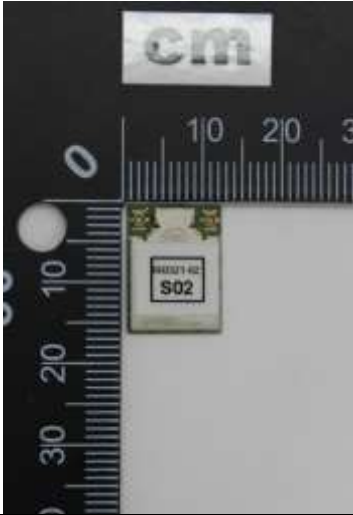
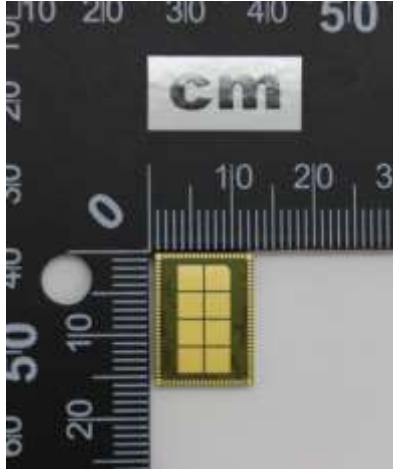
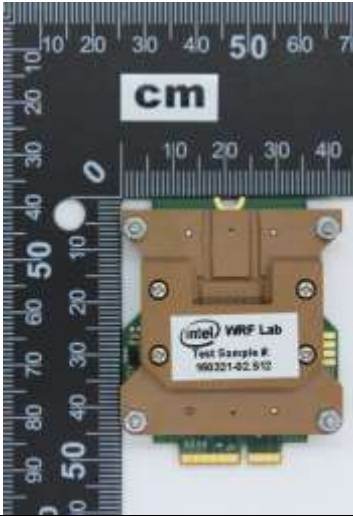
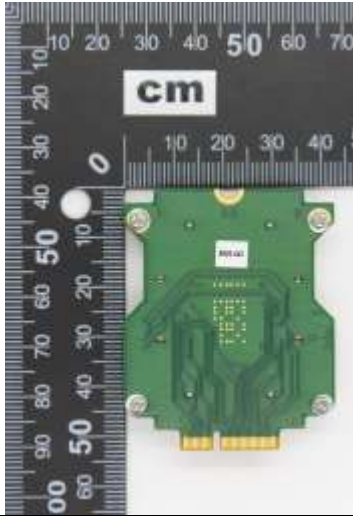


## Radiated Test Setup:






**Conducted Test Setup:**



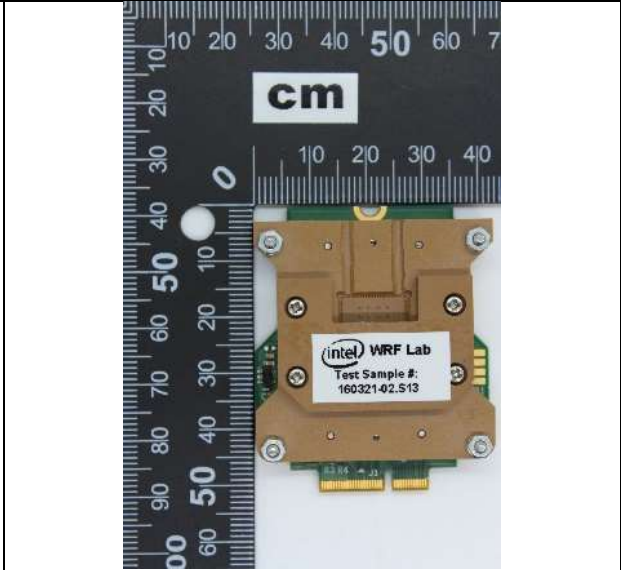
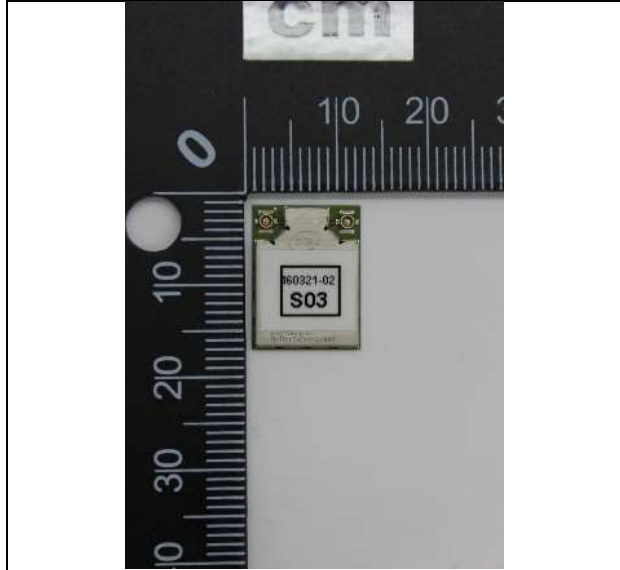
**Test Sample:**

Sample #01	
WIFI Module	
	
Socket	
	
Extender board	Laptop
	

PCI cable	AC/DC adapter
	
USB cable	Laptop power supply
	

**Sample #02**

**WIFI Module**



Extender board

Laptop



PCI cable

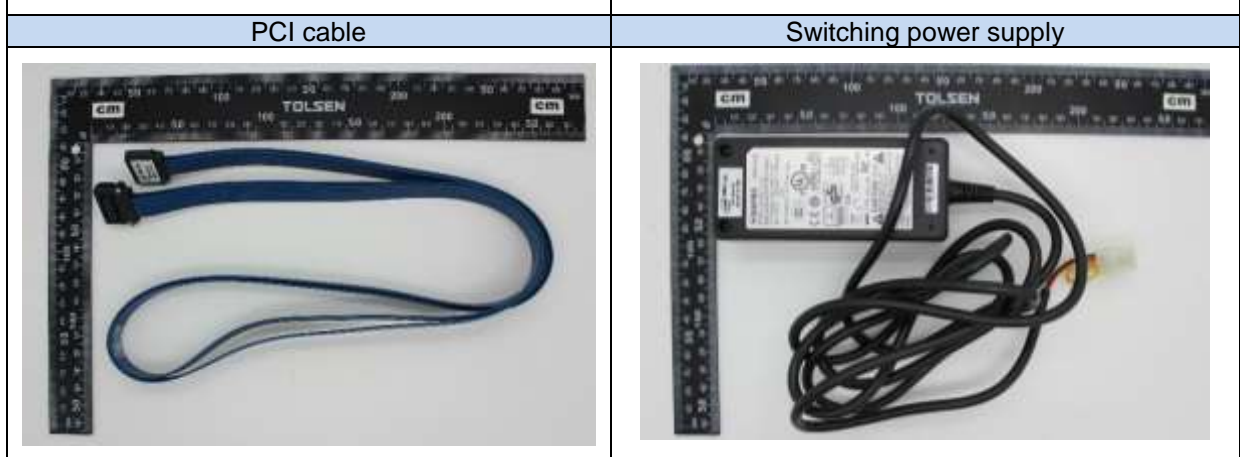
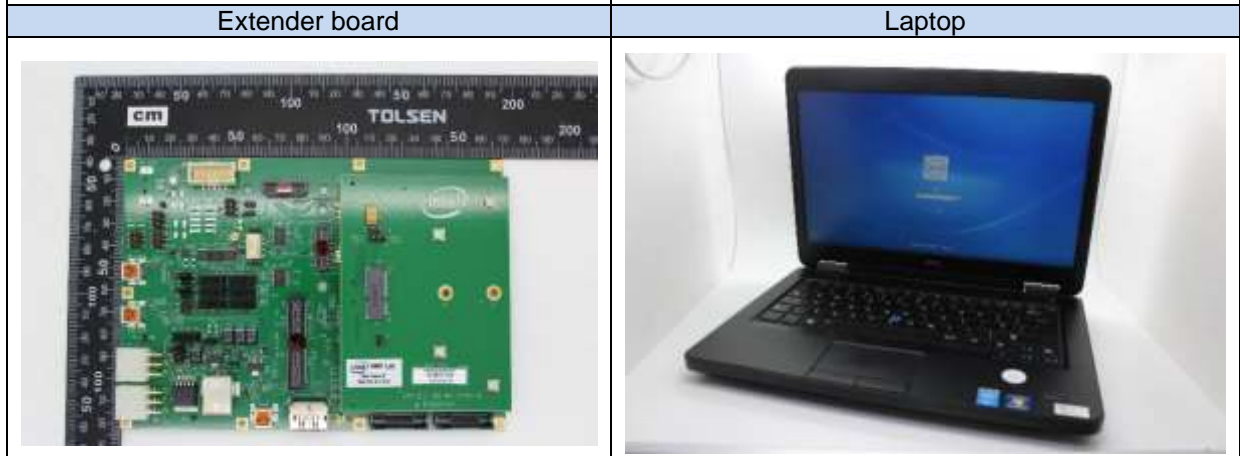
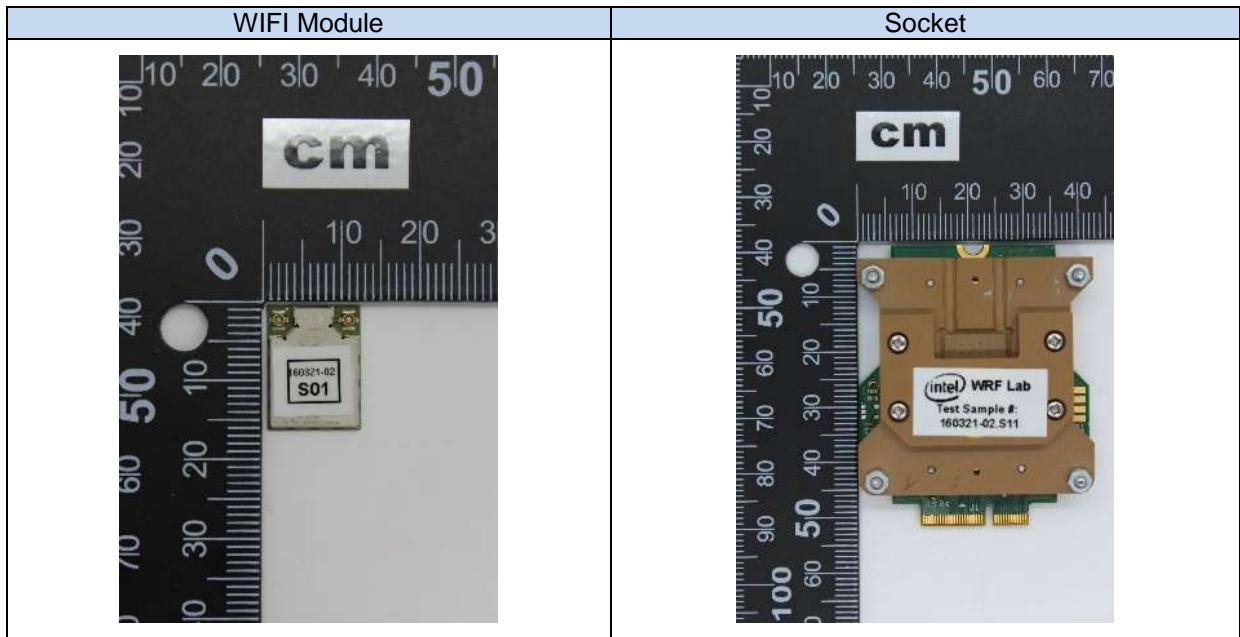
AC/DC adapter







**Sample #03**



USB cable	AC/DC adapter
