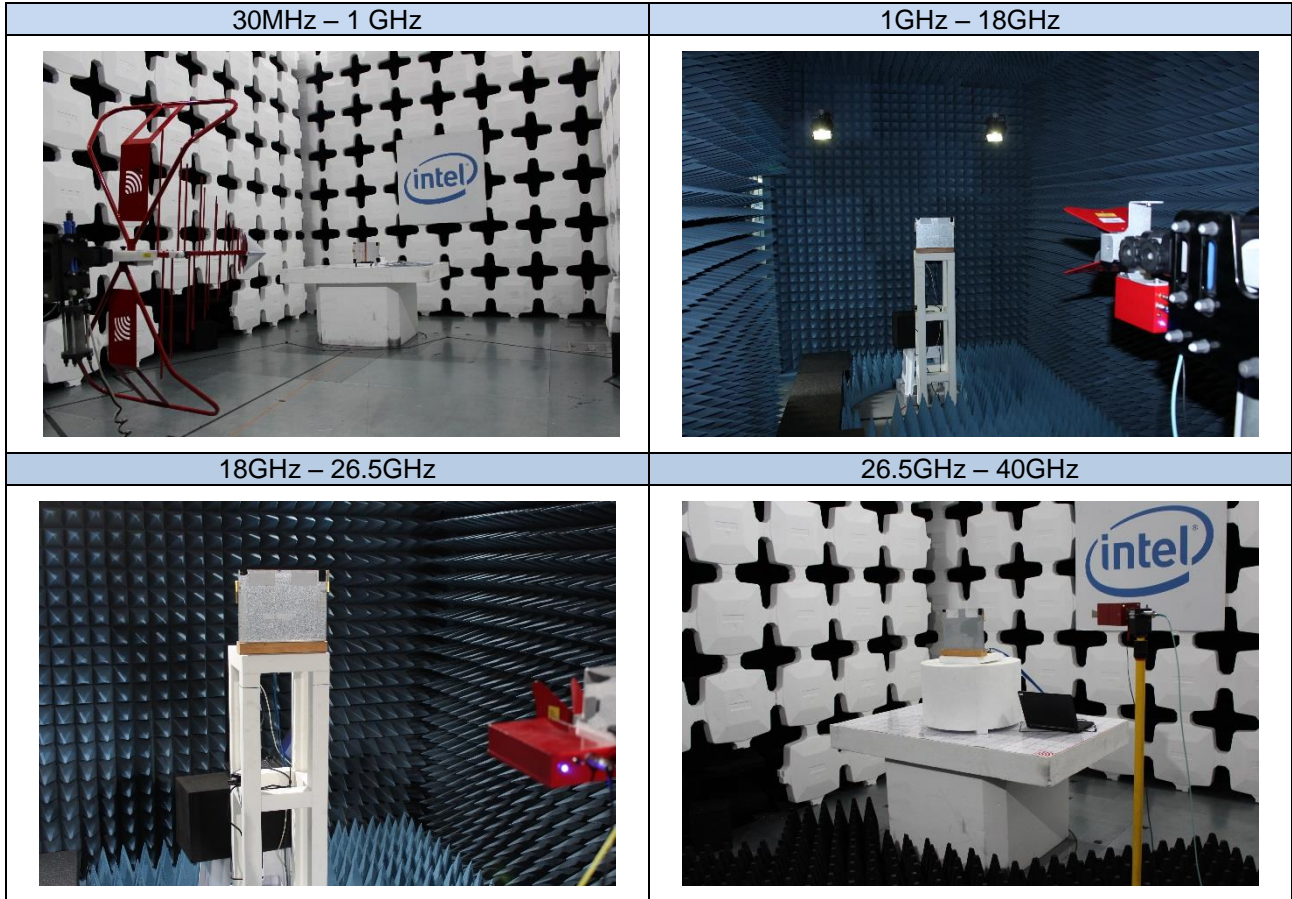
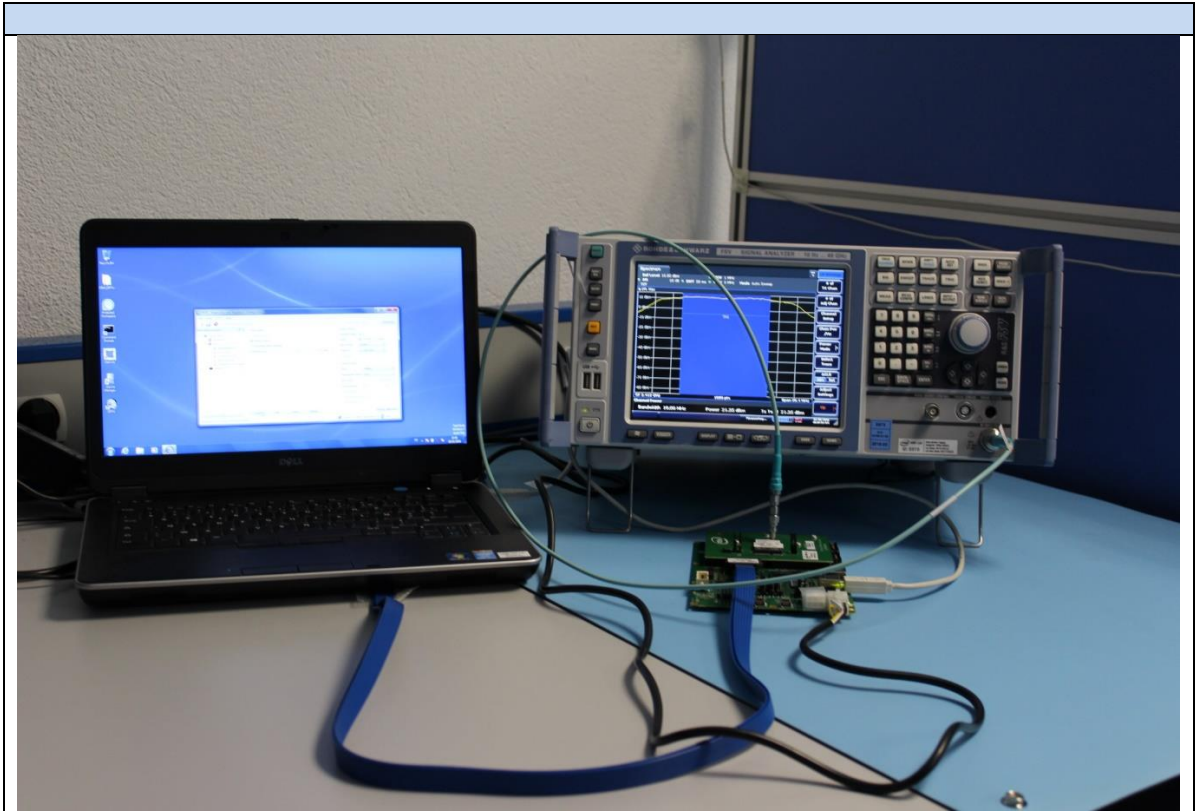


Annex C. Photographs

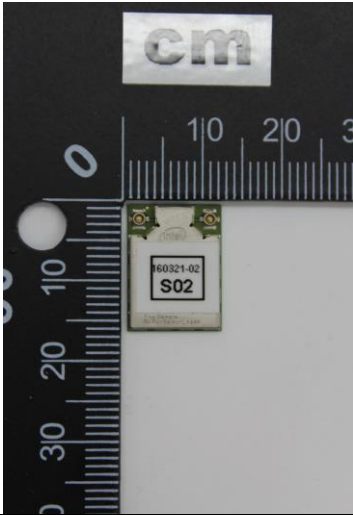
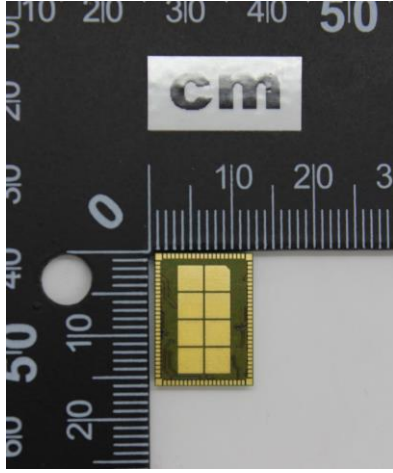
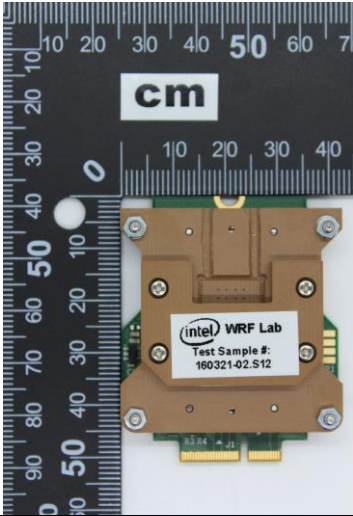
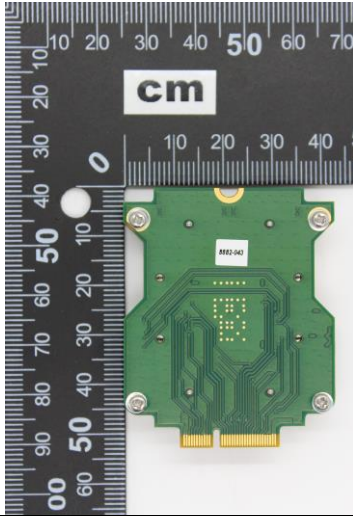


Radiated Test Setup:



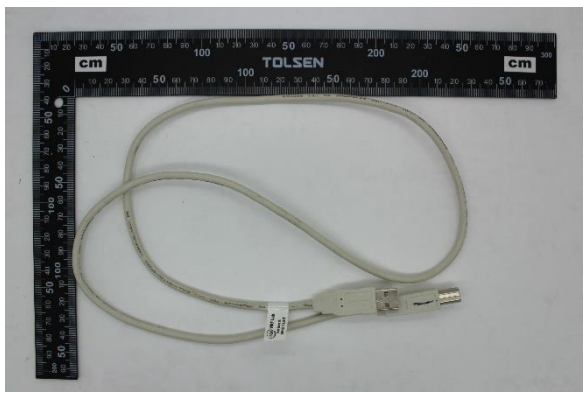



Conducted Test Setup:



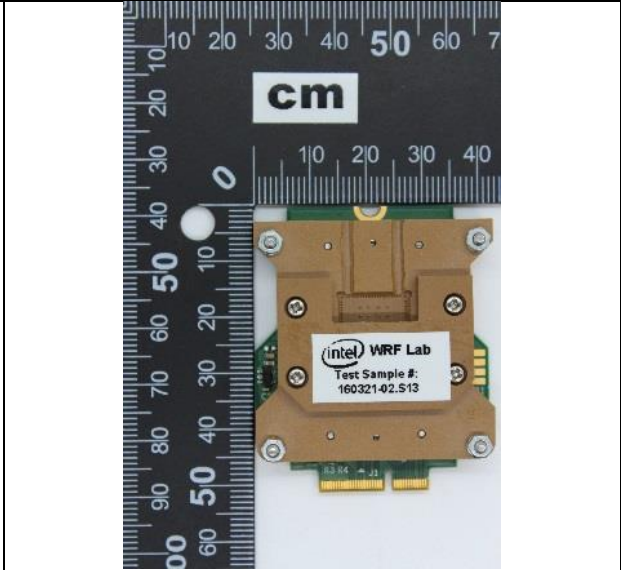
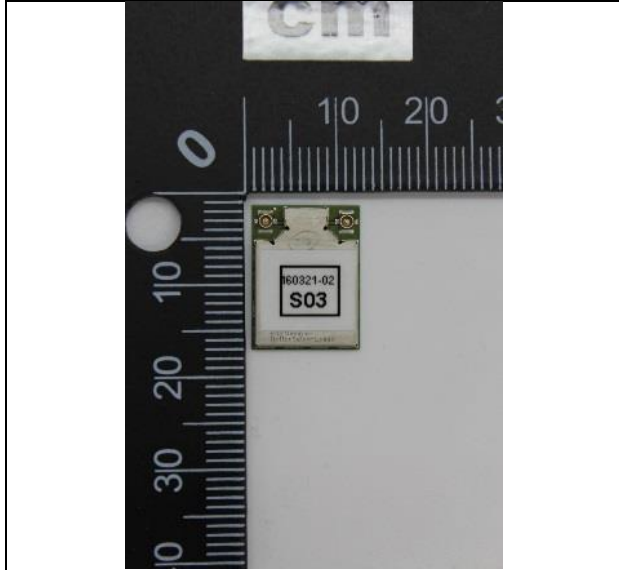
Test Sample:

| Sample #01 | |
|---|--|
| WIFI Module | |
|  |  |
| Socket | |
|  |  |
| Extender board | Laptop |
|  |  |

| PCI cable | AC/DC adapter |
|--|---|
|  |  |
| USB cable | Laptop power supply |
|  |  |

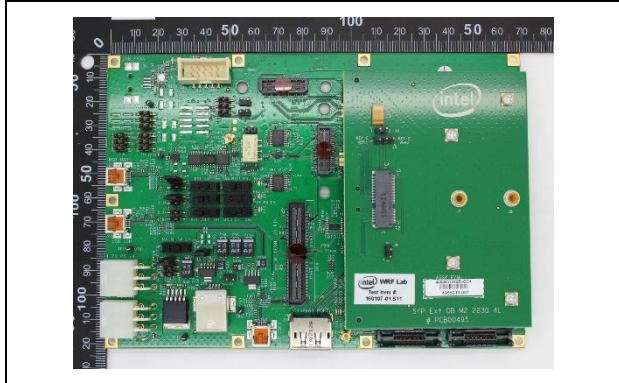
Sample #02

WIFI Module



Extender board

Laptop



PCI cable

AC/DC adapter

