

#01_WCDMA II_RMC 12.2Kbps_Bottom of Laptop_10mm_Ch9262

Communication System: WCDMA ; Frequency: 1852.4 MHz; Duty Cycle: 1:1

Medium: MSL_1900_171227 Medium parameters used : $f = 1852.4$ MHz; $\sigma = 1.501$ S/m; $\epsilon_r = 55.332$; $\rho = 1000$ kg/m³

Ambient Temperature : 23.2 °C ; Liquid Temperature : 22.2 °C

DASY5 Configuration:

- Probe: EX3DV4 - SN3976; ConvF(8.31, 8.31, 8.31); Calibrated: 2017/2/21;
- Sensor-Surface: 1.4mm (Mechanical Surface Detection)
- Electronics: DAE4 Sn1424; Calibrated: 2017/2/16
- Phantom: ELI v5.0_Right; Type: QDOVA002AA; Serial: TP:1029
- Measurement SW: DASY52, Version 52.8 (8); SEMCAD X Version 14.6.10 (7373)

Area Scan (61x91x1): Interpolated grid: dx=1.500 mm, dy=1.500 mm

Maximum value of SAR (interpolated) = 1.29 W/kg

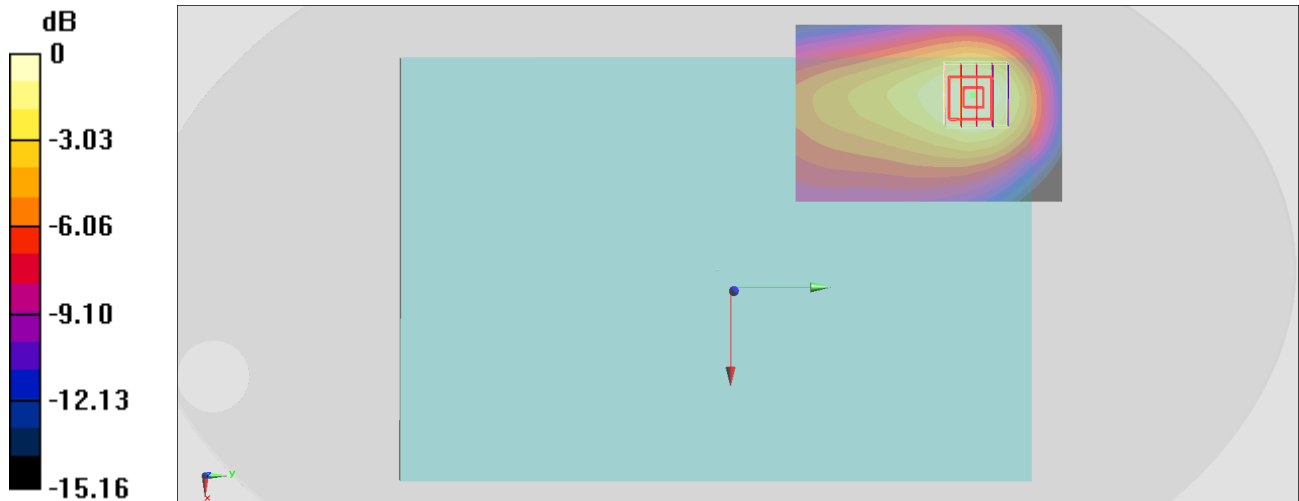
Zoom Scan (5x5x7)/Cube 0: Measurement grid: dx=8mm, dy=8mm, dz=5mm

Reference Value = 26.29 V/m; Power Drift = -0.05 dB

Peak SAR (extrapolated) = 1.48 W/kg

SAR(1 g) = 0.921 W/kg; SAR(10 g) = 0.574 W/kg

Maximum value of SAR (measured) = 1.27 W/kg



0 dB = 1.04 W/kg = 0.17 dBW/kg

#02_WCDMA IV_RMC 12.2Kbps_Bottom of Laptop_0mm_Ch1513

Communication System: WCDMA ; Frequency: 1752.6 MHz; Duty Cycle: 1:1

Medium: MSL_1750_171226 Medium parameters used: $f = 1753$ MHz; $\sigma = 1.455$ S/m; $\epsilon_r = 53.543$; $\rho = 1000$ kg/m³

Ambient Temperature : 23.6 °C ; Liquid Temperature : 22.6 °C

DASY5 Configuration:

- Probe: EX3DV4 - SN3976; ConvF(8.57, 8.57, 8.57); Calibrated: 2017/2/21;
- Sensor-Surface: 1.4mm (Mechanical Surface Detection)
- Electronics: DAE4 Sn1424; Calibrated: 2017/2/16
- Phantom: ELI v5.0_Right; Type: QDOVA002AA; Serial: TP:1029
- Measurement SW: DASY52, Version 52.8 (8); SEMCAD X Version 14.6.10 (7373)

Area Scan (81x61x1): Interpolated grid: dx=1.500 mm, dy=1.500 mm

Maximum value of SAR (interpolated) = 1.25 W/kg

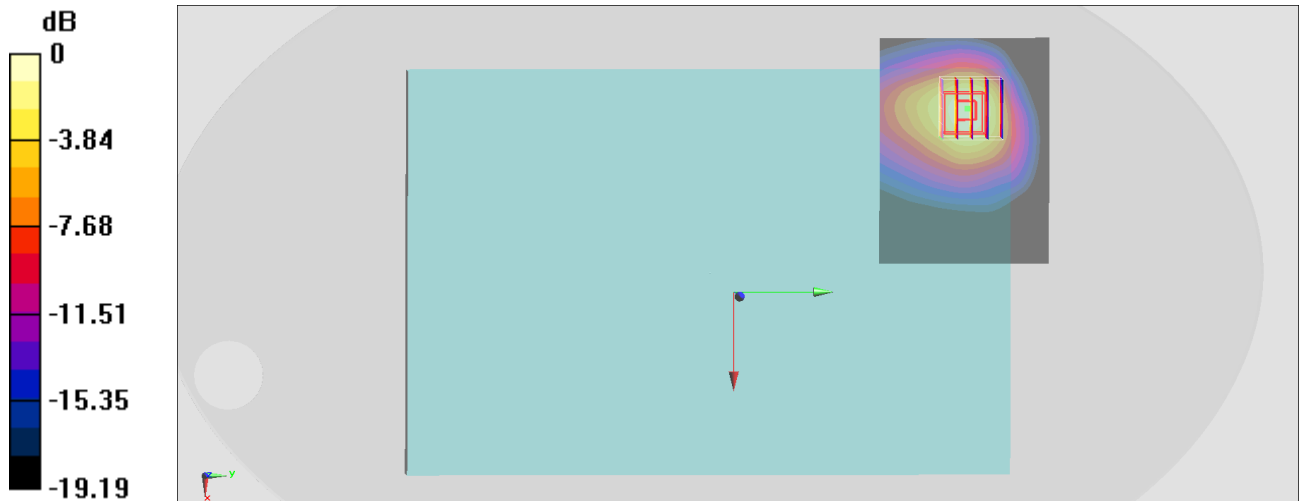
Zoom Scan (5x5x7)/Cube 0: Measurement grid: dx=8mm, dy=8mm, dz=5mm

Reference Value = 26.26 V/m; Power Drift = -0.00 dB

Peak SAR (extrapolated) = 1.44 W/kg

SAR(1 g) = 0.818 W/kg; SAR(10 g) = 0.455 W/kg

Maximum value of SAR (measured) = 1.20 W/kg



0 dB = 1.20 W/kg = 0.79 dBW/kg

#03_WCDMA V_RMC 12.2Kbps_Bottom of Laptop_0mm_Ch4233

Communication System: WCDMA; Frequency: 846.6 MHz; Duty Cycle: 1:1

Medium: MSL_850_171228 Medium parameters used: $f = 847$ MHz; $\sigma = 0.986$ S/m; $\epsilon_r = 57.083$; $\rho = 1000$ kg/m³

Ambient Temperature : 23.6 °C ; Liquid Temperature : 22.6 °C

DASY5 Configuration:

- Probe: EX3DV4 - SN3976; ConvF(10.41, 10.41, 10.41); Calibrated: 2017/2/21;
- Sensor-Surface: 1.4mm (Mechanical Surface Detection)
- Electronics: DAE4 Sn1424; Calibrated: 2017/2/16
- Phantom: ELI v5.0; Type: QDOVA002AA; Serial: 1131
- Measurement SW: DASY52, Version 52.8 (8); SEMCAD X Version 14.6.10 (7373)

Area Scan (81x61x1): Interpolated grid: dx=1.500 mm, dy=1.500 mm

Maximum value of SAR (interpolated) = 1.26 W/kg

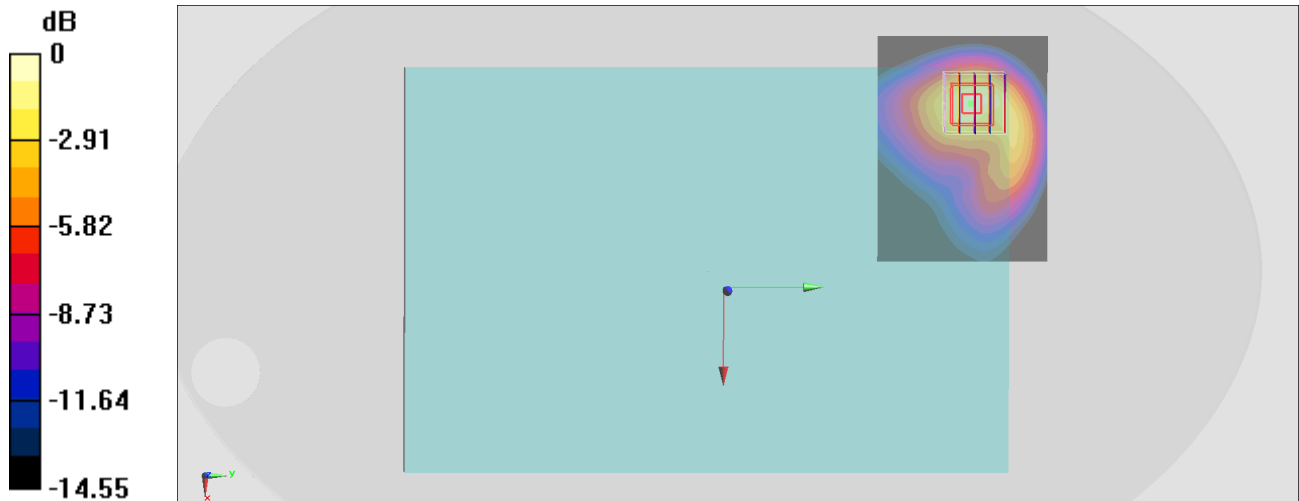
Zoom Scan (5x5x7)/Cube 0: Measurement grid: dx=8mm, dy=8mm, dz=5mm

Reference Value = 33.55 V/m; Power Drift = 0.01 dB

Peak SAR (extrapolated) = 1.71 W/kg

SAR(1 g) = 0.915 W/kg; SAR(10 g) = 0.513 W/kg

Maximum value of SAR (measured) = 1.41 W/kg



0 dB = 1.41 W/kg = 1.49 dBW/kg

#04_LTE Band 2_20M_QPSK_1_0_Bottom of Laptop_0mm_Ch18700

Communication System: LTE ; Frequency: 1860 MHz;Duty Cycle: 1:1

Medium: MSL_1900_171227 Medium parameters used: $f = 1860$ MHz; $\sigma = 1.509$ S/m; $\epsilon_r = 55.315$; $\rho = 1000$ kg/m³

Ambient Temperature : 23.2 °C ; Liquid Temperature : 22.2 °C

DASY5 Configuration:

- Probe: EX3DV4 - SN3976; ConvF(8.31, 8.31, 8.31); Calibrated: 2017/2/21;
- Sensor-Surface: 1.4mm (Mechanical Surface Detection)
- Electronics: DAE4 Sn1424; Calibrated: 2017/2/16
- Phantom: ELI v5.0_Right; Type: QDOVA002AA; Serial: TP:1029
- Measurement SW: DASY52, Version 52.8 (8);SEMCAD X Version 14.6.10 (7373)

Area Scan (81x61x1): Interpolated grid: dx=1.500 mm, dy=1.500 mm

Maximum value of SAR (interpolated) = 1.35 W/kg

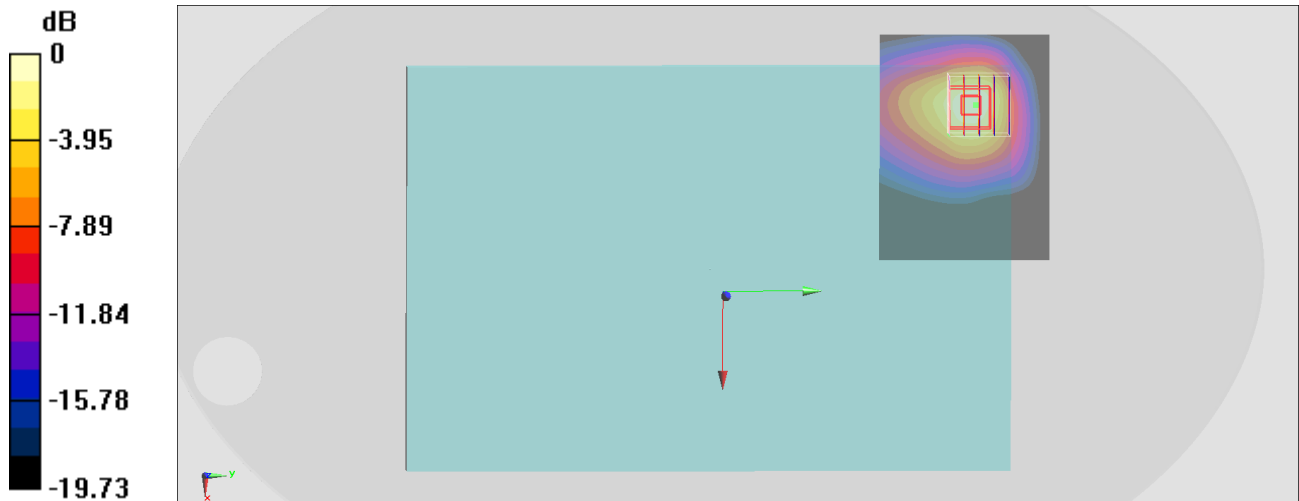
Zoom Scan (5x5x7)/Cube 0: Measurement grid: dx=8mm, dy=8mm, dz=5mm

Reference Value = 27.07 V/m; Power Drift = 0.01 dB

Peak SAR (extrapolated) = 1.57 W/kg

SAR(1 g) = 0.896 W/kg; SAR(10 g) = 0.488 W/kg

Maximum value of SAR (measured) = 1.31 W/kg



0 dB = 1.31 W/kg = 1.17 dBW/kg

#05_LTE Band 5_10M_QPSK_25_0_Bottom of Laptop_0mm_Ch20525

Communication System: LTE ; Frequency: 836.5 MHz;Duty Cycle: 1:1

Medium: MSL_850_171228 Medium parameters used : $f = 836.5$ MHz; $\sigma = 0.976$ S/m; $\epsilon_r = 57.181$; $\rho = 1000$ kg/m³

Ambient Temperature : 23.6 °C ; Liquid Temperature : 22.6 °C

DASY5 Configuration:

- Probe: EX3DV4 - SN3976; ConvF(10.41, 10.41, 10.41); Calibrated: 2017/2/21;
- Sensor-Surface: 1.4mm (Mechanical Surface Detection)
- Electronics: DAE4 Sn1424; Calibrated: 2017/2/16
- Phantom: ELI v5.0; Type: QDOVA002AA; Serial: 1131
- Measurement SW: DASY52, Version 52.8 (8);SEMCAD X Version 14.6.10 (7373)

Area Scan (81x61x1): Interpolated grid: dx=1.500 mm, dy=1.500 mm

Maximum value of SAR (interpolated) = 1.24 W/kg

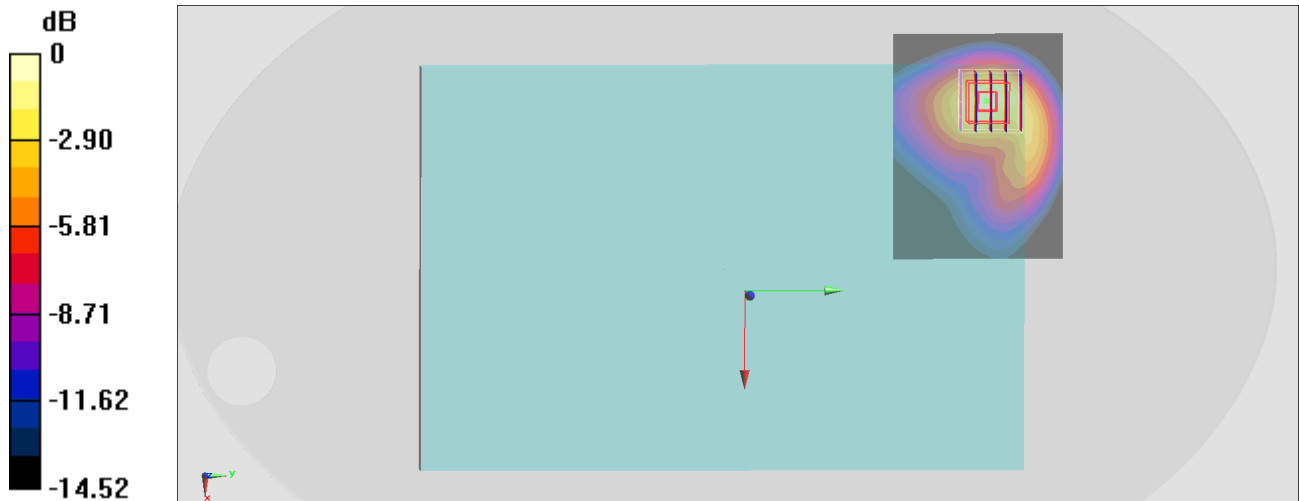
Zoom Scan (5x5x7)/Cube 0: Measurement grid: dx=8mm, dy=8mm, dz=5mm

Reference Value = 33.45 V/m; Power Drift = -0.03 dB

Peak SAR (extrapolated) = 1.67 W/kg

SAR(1 g) = 0.896 W/kg; SAR(10 g) = 0.502 W/kg

Maximum value of SAR (measured) = 1.38 W/kg



0 dB = 1.38 W/kg = 1.40 dBW/kg

#06_LTE Band 7_20M_QPSK_1_0_Bottom of Laptop_0mm_Ch20850

Communication System: LTE; Frequency: 2510 MHz; Duty Cycle: 1:1

Medium: MSL_2600_171229 Medium parameters used: $f = 2510$ MHz; $\sigma = 2.106$ S/m; $\epsilon_r = 53.079$; $\rho = 1000$ kg/m³

Ambient Temperature : 23.7 °C ; Liquid Temperature : 22.7 °C

DASY5 Configuration:

- Probe: EX3DV4 - SN3976; ConvF(7.59, 7.59, 7.59); Calibrated: 2017/2/21;
- Sensor-Surface: 1.4mm (Mechanical Surface Detection)
- Electronics: DAE4 Sn1424; Calibrated: 2017/2/16
- Phantom: ELI v5.0_Right; Type: QDOVA002AA; Serial: TP:1029
- Measurement SW: DASY52, Version 52.8 (8); SEMCAD X Version 14.6.10 (7373)

Area Scan (61x71x1): Interpolated grid: dx=1.200 mm, dy=1.200 mm

Maximum value of SAR (interpolated) = 1.72 W/kg

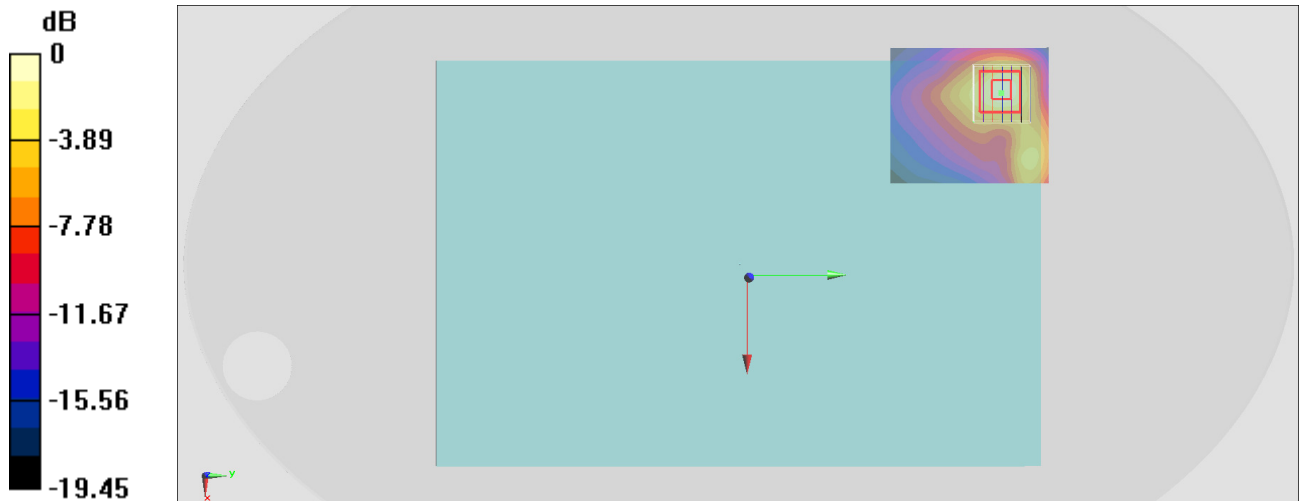
Zoom Scan (7x7x7)/Cube 0: Measurement grid: dx=5mm, dy=5mm, dz=5mm

Reference Value = 22.08 V/m; Power Drift = 0.11 dB

Peak SAR (extrapolated) = 2.30 W/kg

SAR(1 g) = 0.961 W/kg; SAR(10 g) = 0.449 W/kg

Maximum value of SAR (measured) = 1.72 W/kg



0 dB = 1.72 W/kg = 2.36 dBW/kg

#07_LTE Band 12_10M_QPSK_50_0_Bottom of Laptop_0mm_Ch23095

Communication System: LTE; Frequency: 707.5 MHz; Duty Cycle: 1:1

Medium: MSL_750_171228 Medium parameters used : $f = 707.5$ MHz; $\sigma = 0.931$ S/m; $\epsilon_r = 55.763$; $\rho = 1000$ kg/m³

Ambient Temperature : 23.4 °C; Liquid Temperature : 22.4 °C

DASY5 Configuration:

- Probe: EX3DV4 - SN3976; ConvF(10.68, 10.68, 10.68); Calibrated: 2017/2/21;
- Sensor-Surface: 1.4mm (Mechanical Surface Detection)
- Electronics: DAE4 Sn1424; Calibrated: 2017/2/16
- Phantom: ELI v5.0; Type: QDOVA002AA; Serial: 1131
- Measurement SW: DASY52, Version 52.8 (8); SEMCAD X Version 14.6.10 (7373)

Area Scan (81x61x1): Interpolated grid: dx=1.500 mm, dy=1.500 mm

Maximum value of SAR (interpolated) = 1.44 W/kg

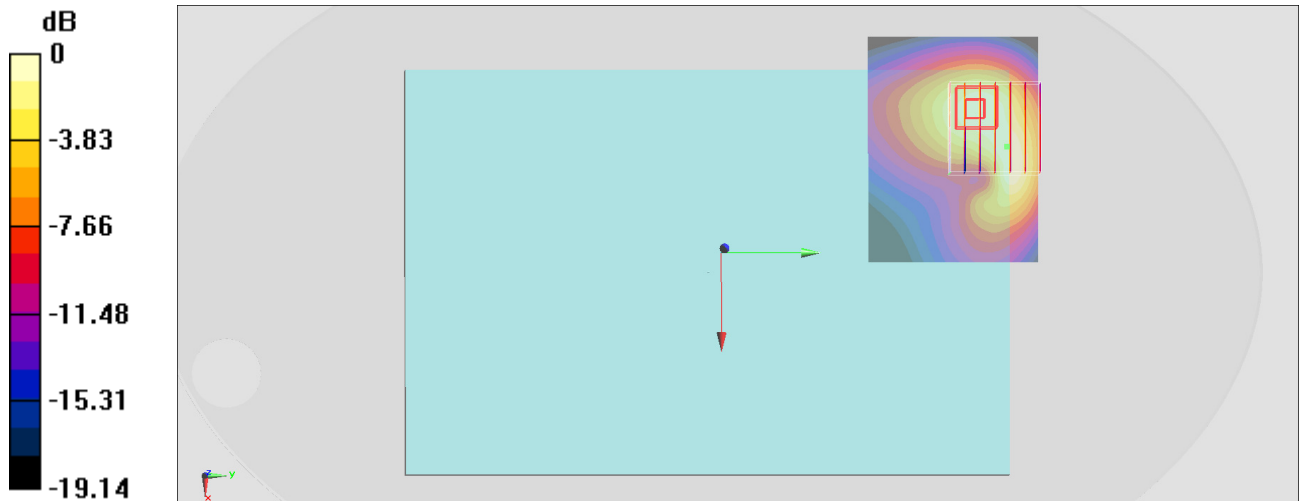
Zoom Scan (7x7x7)/Cube 0: Measurement grid: dx=8mm, dy=8mm, dz=5mm

Reference Value = 36.62 V/m; Power Drift = 0.02 dB

Peak SAR (extrapolated) = 1.72 W/kg

SAR(1 g) = 1.03 W/kg; SAR(10 g) = 0.628 W/kg

Maximum value of SAR (measured) = 1.43 W/kg



0 dB = 1.43 W/kg = 1.55 dBW/kg

#08_LTE Band 13_10M_QPSK_50_0_Bottom of Laptop_0mm_Ch23230

Communication System: LTE; Frequency: 782 MHz; Duty Cycle: 1:1

Medium: MSL_750_171228 Medium parameters used: $f = 782$ MHz; $\sigma = 1$ S/m; $\epsilon_r = 54.977$; $\rho = 1000$ kg/m³

Ambient Temperature : 23.4 °C ; Liquid Temperature : 22.4 °C

DASY5 Configuration:

- Probe: EX3DV4 - SN3976; ConvF(10.68, 10.68, 10.68); Calibrated: 2017/2/21;
- Sensor-Surface: 1.4mm (Mechanical Surface Detection)
- Electronics: DAE4 Sn1424; Calibrated: 2017/2/16
- Phantom: ELI v5.0; Type: QDOVA002AA; Serial: 1131
- Measurement SW: DASY52, Version 52.8 (8); SEMCAD X Version 14.6.10 (7373)

Area Scan (81x61x1): Interpolated grid: dx=1.500 mm, dy=1.500 mm

Maximum value of SAR (interpolated) = 1.43 W/kg

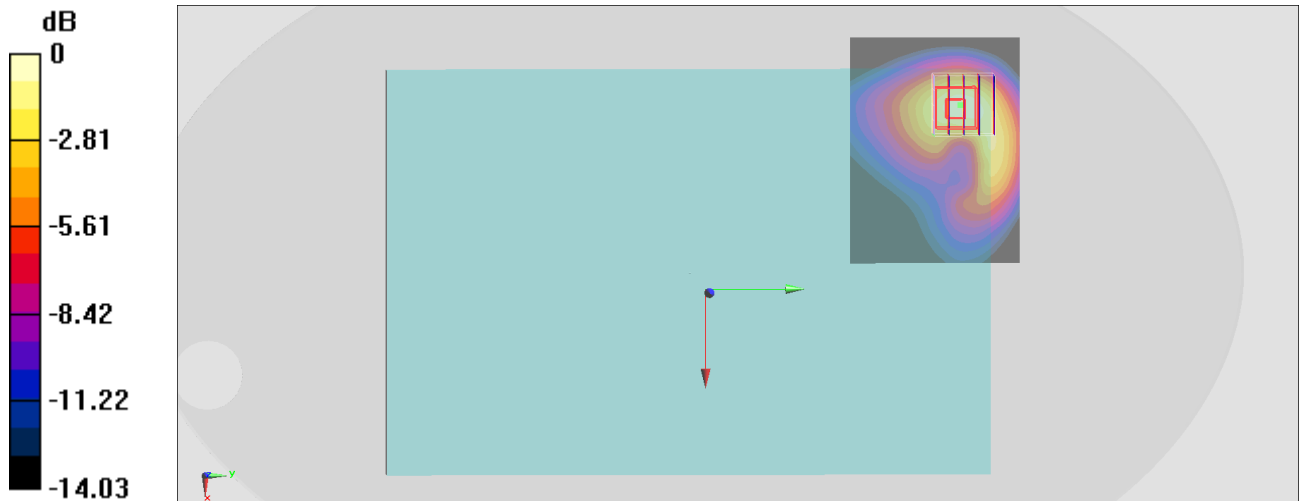
Zoom Scan (5x5x7)/Cube 0: Measurement grid: dx=8mm, dy=8mm, dz=5mm

Reference Value = 35.65 V/m; Power Drift = -0.01 dB

Peak SAR (extrapolated) = 1.82 W/kg

SAR(1 g) = 1.02 W/kg; SAR(10 g) = 0.588 W/kg

Maximum value of SAR (measured) = 1.48 W/kg



0 dB = 1.48 W/kg = 1.70 dBW/kg

#09_LTE Band 26_15M_QPSK_36_0_Bottom of Laptop_0mm_Ch26865

Communication System: LTE; Frequency: 831.5 MHz; Duty Cycle: 1:1

Medium: MSL_850_171228 Medium parameters used : $f = 831.5$ MHz; $\sigma = 0.972$ S/m; $\epsilon_r = 57.227$; $\rho = 1000$ kg/m³

Ambient Temperature : 23.6 °C ; Liquid Temperature : 22.6 °C

DASY5 Configuration:

- Probe: EX3DV4 - SN3976; ConvF(10.41, 10.41, 10.41); Calibrated: 2017/2/21;
- Sensor-Surface: 1.4mm (Mechanical Surface Detection)
- Electronics: DAE4 Sn1424; Calibrated: 2017/2/16
- Phantom: ELI v5.0; Type: QDOVA002AA; Serial: 1131
- Measurement SW: DASY52, Version 52.8 (8); SEMCAD X Version 14.6.10 (7373)

Area Scan (81x61x1): Interpolated grid: dx=1.500 mm, dy=1.500 mm

Maximum value of SAR (interpolated) = 1.23 W/kg

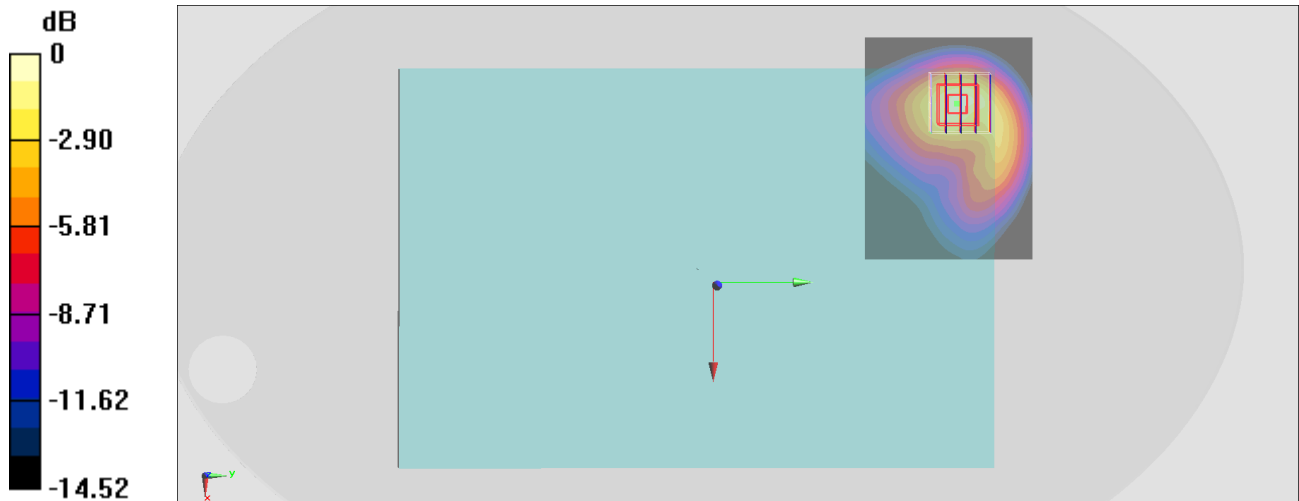
Zoom Scan (5x5x7)/Cube 0: Measurement grid: dx=8mm, dy=8mm, dz=5mm

Reference Value = 33.42 V/m; Power Drift = -0.03 dB

Peak SAR (extrapolated) = 1.66 W/kg

SAR(1 g) = 0.890 W/kg; SAR(10 g) = 0.499 W/kg

Maximum value of SAR (measured) = 1.37 W/kg



0 dB = 1.37 W/kg = 1.37 dBW/kg

#10_LTE Band 30_10M_QPSK_25_0_Bottom of Laptop_0mm_Ch27710

Communication System: LTE; Frequency: 2310 MHz; Duty Cycle: 1:1

Medium: MSL_2300_171227 Medium parameters used: $f = 2310$ MHz; $\sigma = 1.826$ S/m; $\epsilon_r = 54.351$; $\rho = 1000$ kg/m³

Ambient Temperature : 23.6 °C ; Liquid Temperature : 22.6 °C

DASY5 Configuration:

- Probe: EX3DV4 - SN3931; ConvF(7.89, 7.89, 7.89); Calibrated: 2017/9/29;
- Sensor-Surface: 1.4mm (Mechanical Surface Detection)
- Electronics: DAE3 Sn393; Calibrated: 2017/8/10
- Phantom: ELI v5.0_Right; Type: QDOVA002AA; Serial: TP:1029
- Measurement SW: DASY52, Version 52.8 (8); SEMCAD X Version 14.6.10 (7373)

Area Scan (71x71x1): Interpolated grid: dx=1.200 mm, dy=1.200 mm

Maximum value of SAR (interpolated) = 1.47 W/kg

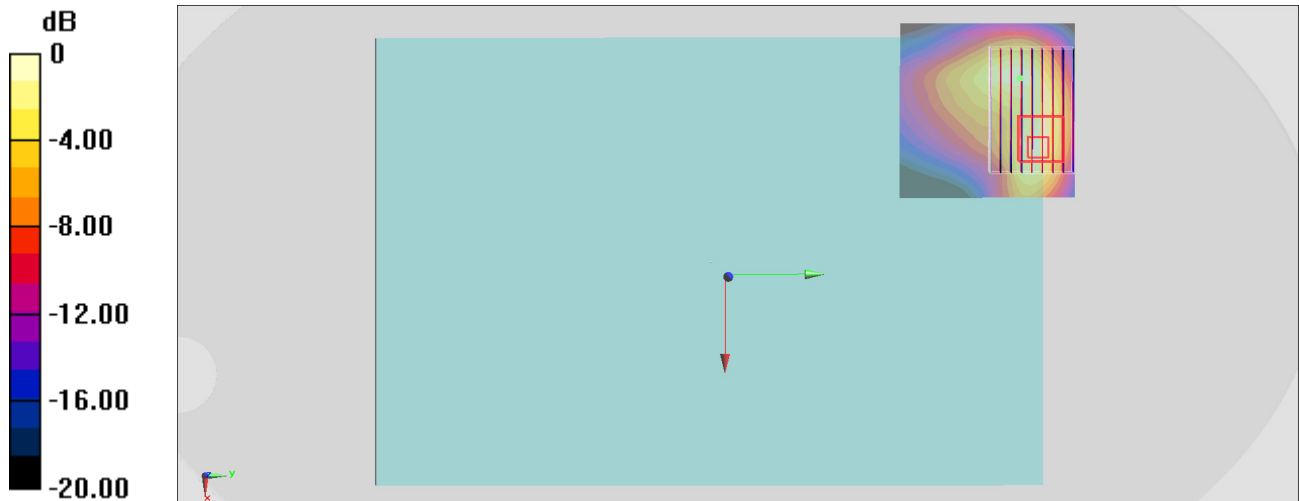
Zoom Scan (13x9x7)/Cube 0: Measurement grid: dx=5mm, dy=5mm, dz=5mm

Reference Value = 20.19 V/m; Power Drift = 0.15 dB

Peak SAR (extrapolated) = 2.11 W/kg

SAR(1 g) = 1.07 W/kg; SAR(10 g) = 0.505 W/kg

Maximum value of SAR (measured) = 1.61 W/kg



0 dB = 1.61 W/kg = 2.07 dBW/kg

#11_LTE Band 66_20M_QPSK_50_0_Bottom of Laptop_0mm_Ch132572

Communication System: LTE; Frequency: 1770 MHz; Duty Cycle: 1:1

Medium: MSL_1750_171226 Medium parameters used: $f = 1770$ MHz; $\sigma = 1.471$ S/m; $\epsilon_r = 53.481$; $\rho = 1000$ kg/m³

Ambient Temperature : 23.6 °C ; Liquid Temperature : 22.6 °C

DASY5 Configuration:

- Probe: EX3DV4 - SN3976; ConvF(8.57, 8.57, 8.57); Calibrated: 2017/2/21;
- Sensor-Surface: 1.4mm (Mechanical Surface Detection)
- Electronics: DAE4 Sn1424; Calibrated: 2017/2/16
- Phantom: ELI v5.0_Right; Type: QDOVA002AA; Serial: TP:1029
- Measurement SW: DASY52, Version 52.8 (8); SEMCAD X Version 14.6.10 (7373)

Area Scan (61x61x1): Interpolated grid: dx=1.500 mm, dy=1.500 mm

Maximum value of SAR (interpolated) = 1.28 W/kg

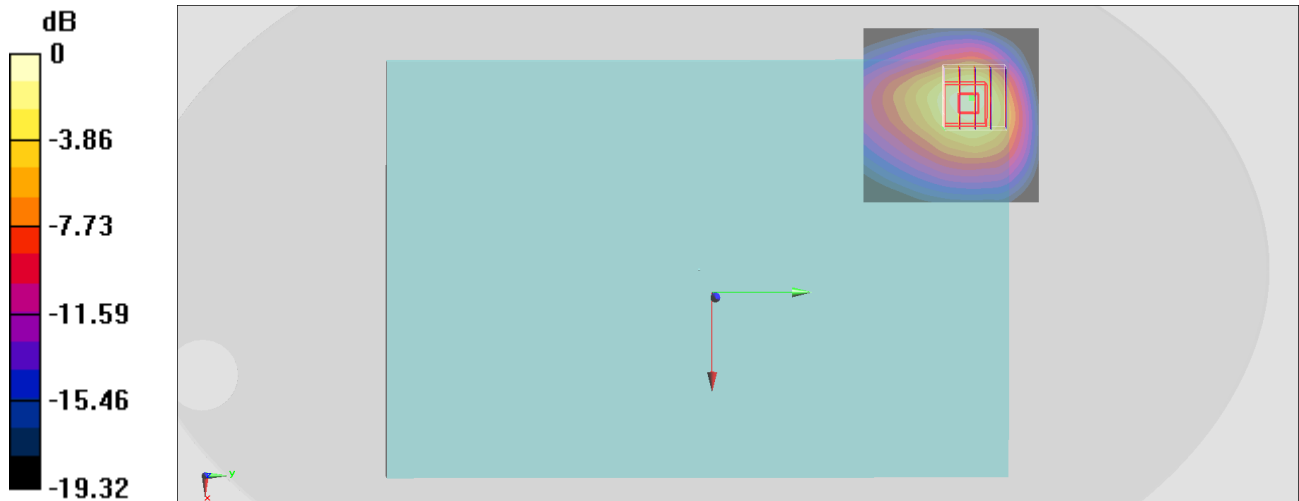
Zoom Scan (5x5x7)/Cube 0: Measurement grid: dx=8mm, dy=8mm, dz=5mm

Reference Value = 27.52 V/m; Power Drift = -0.01 dB

Peak SAR (extrapolated) = 1.57 W/kg

SAR(1 g) = 0.902 W/kg; SAR(10 g) = 0.501 W/kg

Maximum value of SAR (measured) = 1.28 W/kg



0 dB = 1.28 W/kg = 1.07 dBW/kg

#12_LTE Band 41_20M_QPSK_1_0_Bottom of Laptop_0mm_Ch39750

Communication System: LTE; Frequency: 2506 MHz; Duty Cycle: 1:1.59

Medium: MSL_2600_171229 Medium parameters used: $f = 2506$ MHz; $\sigma = 2.101$ S/m; $\epsilon_r = 53.096$; $\rho = 1000$ kg/m³

Ambient Temperature : 23.7 °C ; Liquid Temperature : 22.7 °C

DASY5 Configuration:

- Probe: EX3DV4 - SN3976; ConvF(7.59, 7.59, 7.59); Calibrated: 2017/2/21;
- Sensor-Surface: 1.4mm (Mechanical Surface Detection)
- Electronics: DAE4 Sn1424; Calibrated: 2017/2/16
- Phantom: ELI v5.0_Right; Type: QDOVA002AA; Serial: TP:1029
- Measurement SW: DASY52, Version 52.8 (8); SEMCAD X Version 14.6.10 (7373)

Area Scan (61x71x1): Interpolated grid: dx=1.200 mm, dy=1.200 mm

Maximum value of SAR (interpolated) = 1.42 W/kg

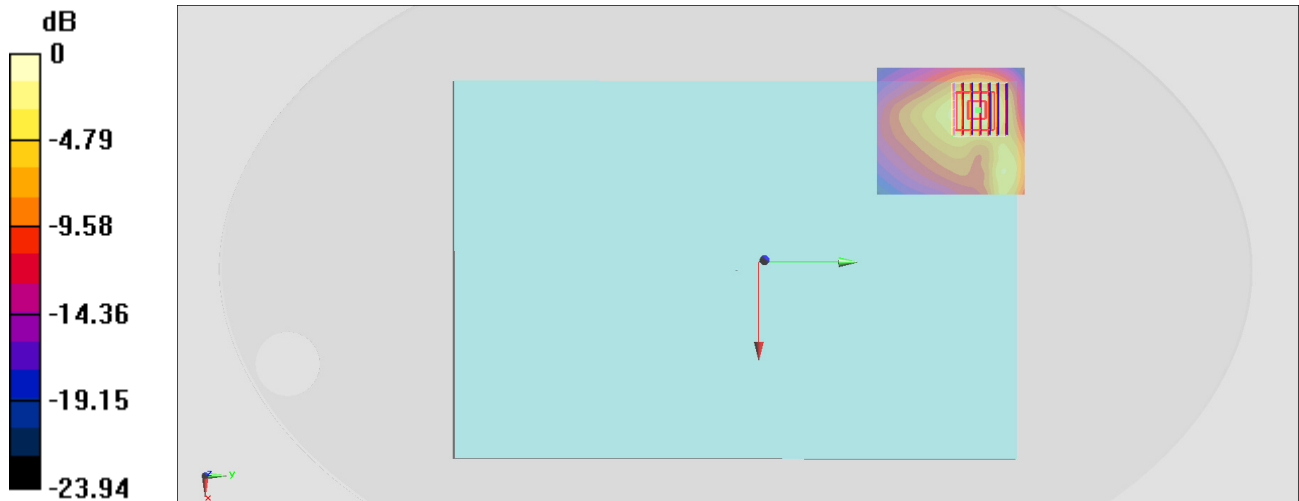
Zoom Scan (7x7x7)/Cube 0: Measurement grid: dx=5mm, dy=5mm, dz=5mm

Reference Value = 20.64 V/m; Power Drift = 0.09 dB

Peak SAR (extrapolated) = 1.85 W/kg

SAR(1 g) = 0.810 W/kg; SAR(10 g) = 0.376 W/kg

Maximum value of SAR (measured) = 1.43 W/kg



0 dB = 1.43 W/kg = 1.55 dBW/kg

#13_WLAN2.4GHz_802.11b 1Mbps_Bottom of Laptop_0mm_Ch1;Ant 1

Communication System: 802.11b ; Frequency: 2412 MHz;Duty Cycle: 1:1.01

Medium: MSL_2450_171108 Medium parameters used: $f = 2412$ MHz; $\sigma = 1.908$ S/m; $\epsilon_r = 51.665$; $\rho = 1000$ kg/m³

Ambient Temperature : 23.6 °C ; Liquid Temperature : 22.6 °C

DASY5 Configuration

- Probe: EX3DV4 - SN3925; ConvF(7.94, 7.94, 7.94); Calibrated: 2017/5/24;
- Sensor-Surface: 1.4mm (Mechanical Surface Detection)
- Electronics: DAE4 Sn854; Calibrated: 2017/5/2
- Phantom: ELI v5.0; Type: QDOVA002AA; Serial: TP:1227
- Measurement SW: DASY52, Version 52.8 (8); SEMCAD X Version 14.6.10 (7373)

Area Scan (51x91x1): Interpolated grid: dx=1.200 mm, dy=1.200 mm

Maximum value of SAR (interpolated) = 1.29 W/kg

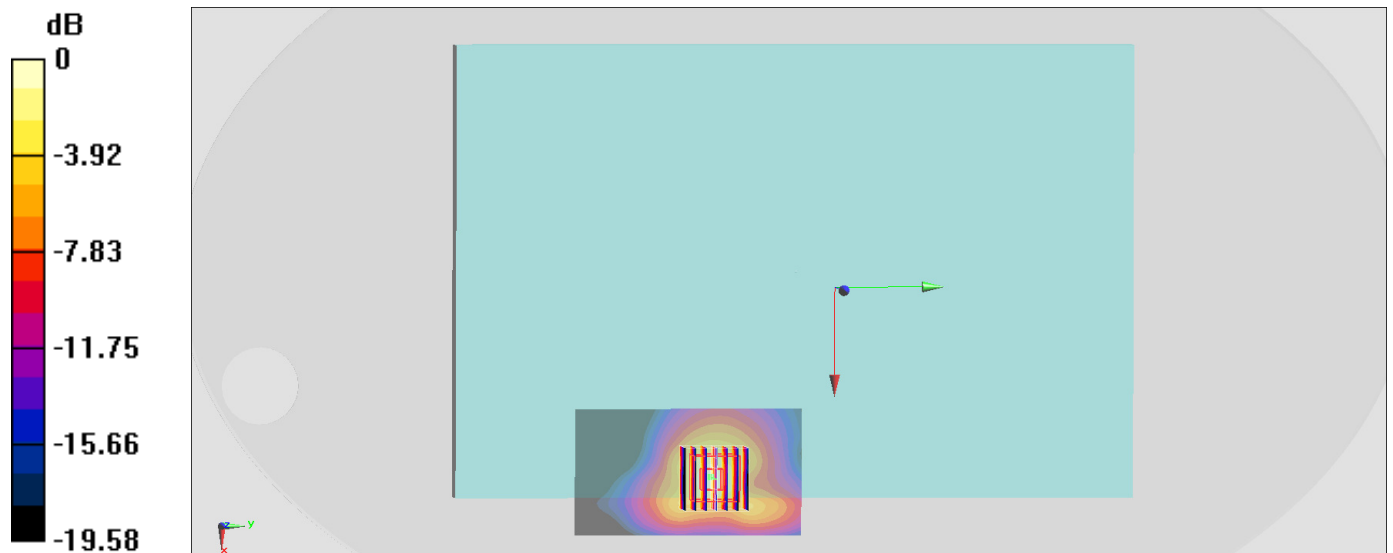
Zoom Scan (7x7x7)/Cube 0: Measurement grid: dx=5mm, dy=5mm, dz=5mm

Reference Value = 20.43 V/m; Power Drift = -0.17 dB

Peak SAR (extrapolated) = 1.70 W/kg

SAR(1 g) = 0.863 W/kg; SAR(10 g) = 0.413 W/kg

Maximum value of SAR (measured) = 1.38 W/kg



0 dB = 1.38 W/kg = 1.40 dBW/kg

#14_WLAN5GHz_802.11ac-VHT80 MCS0_Bottom of Laptop_0mm_Ch58;Ant 2

Communication System: 802.11ac ; Frequency: 5290 MHz;Duty Cycle: 1:1.14

Medium: MSL_5G_171106 Medium parameters used: $f = 5290$ MHz; $\sigma = 5.303$ S/m; $\epsilon_r = 47.065$; $\rho = 1000$ kg/m³

Ambient Temperature : 23.5 °C ; Liquid Temperature : 22.5 °C

DASY5 Configuration

- Probe: EX3DV4 - SN3976; ConvF(4.87, 4.87, 4.87); Calibrated: 2017/2/21;
- Sensor-Surface: 1.4mm (Mechanical Surface Detection)
- Electronics: DAE4 Sn1424; Calibrated: 2017/2/16
- Phantom: ELI v5.0; Type: QDOVA002AA; Serial: TP:1227
- Measurement SW: DASY52, Version 52.8 (8); SEMCAD X Version 14.6.10 (7373)

Area Scan (61x91x1): Interpolated grid: dx=1.000 mm, dy=1.000 mm

Maximum value of SAR (interpolated) = 2.27 W/kg

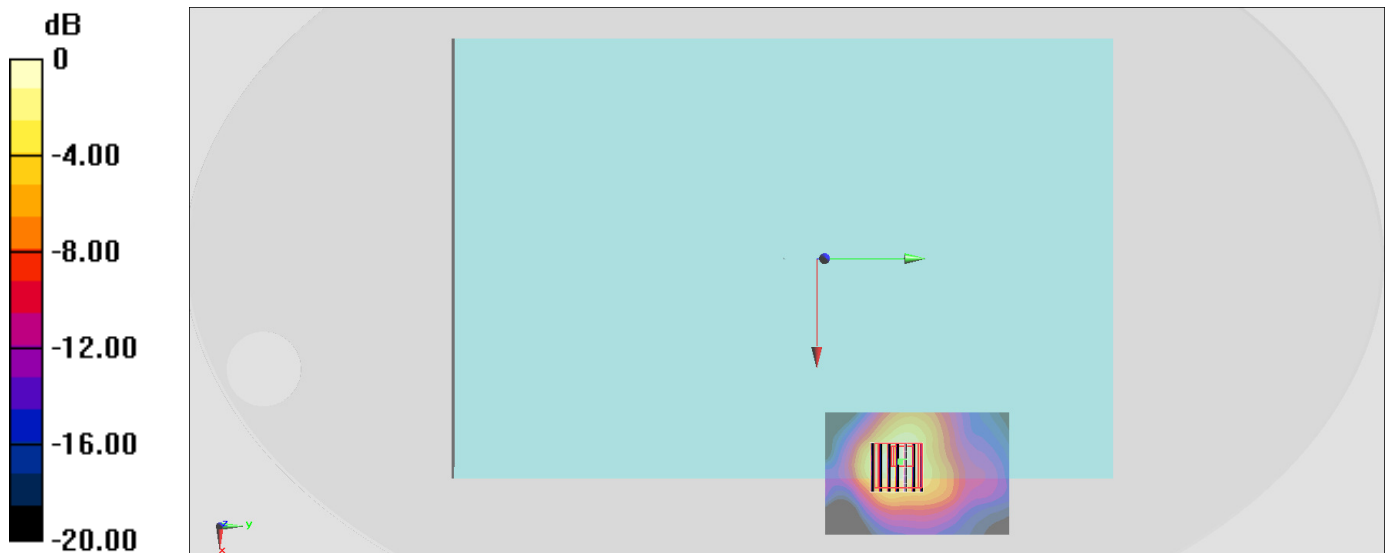
Zoom Scan (7x7x7)/Cube 0: Measurement grid: dx=4mm, dy=4mm, dz=1.4mm

Reference Value = 17.48 V/m; Power Drift = -0.05 dB

Peak SAR (extrapolated) = 5.29 W/kg

SAR(1 g) = 0.905 W/kg; SAR(10 g) = 0.362 W/kg

Maximum value of SAR (measured) = 2.04 W/kg



0 dB = 2.04 W/kg = 3.10 dBW/kg

#15_WLAN5GHz_802.11ac-VHT80 MCS0_Bottom of Laptop_0mm_Ch138;Ant 1

Communication System: 802.11ac; Frequency: 5690 MHz; Duty Cycle: 1:1.122

Medium: MSL_5G_171109 Medium parameters used: $f = 5690$ MHz; $\sigma = 6.115$ S/m; $\epsilon_r = 48.607$; $\rho = 1000$ kg/m³

Ambient Temperature : 23.6 °C ; Liquid Temperature : 22.6 °C

DASY5 Configuration

- Probe: EX3DV4 - SN3931; ConvF(3.99, 3.99, 3.99); Calibrated: 2017/9/29;
- Sensor-Surface: 1.4mm (Mechanical Surface Detection)
- Electronics: DAE3 Sn393; Calibrated: 2017/8/10
- Phantom: ELI v4.0; Type: QDOVA001BB; Serial: 1026
- Measurement SW: DASY52, Version 52.8 (8); SEMCAD X Version 14.6.10 (7373)

Area Scan (61x101x1): Interpolated grid: dx=1.000 mm, dy=1.000 mm

Maximum value of SAR (interpolated) = 2.11 W/kg

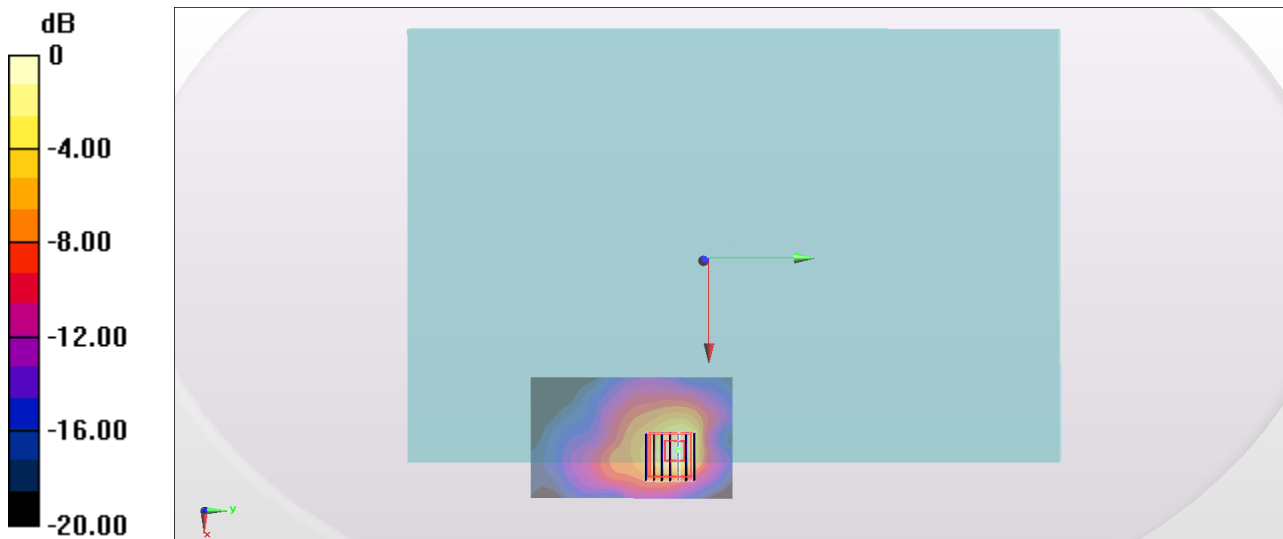
Zoom Scan (7x7x7)/Cube 0: Measurement grid: dx=4mm, dy=4mm, dz=1.4mm

Reference Value = 12.13 V/m; Power Drift = -0.12 dB

Peak SAR (extrapolated) = 4.00 W/kg

SAR(1 g) = 0.843 W/kg; SAR(10 g) = 0.268 W/kg

Maximum value of SAR (measured) = 2.16 W/kg



0 dB = 2.16 W/kg = 3.34 dBW/kg

#16_WLAN5GHz_802.11ac-VHT80 MCS0_Bottom of Laptop_0mm_Ch155;Ant 2

Communication System: 802.11ac; Frequency: 5775 MHz; Duty Cycle: 1:1.14

Medium: MSL_5G_171109 Medium parameters used: $f = 5775$ MHz; $\sigma = 6.236$ S/m; $\epsilon_r = 48.456$; $\rho = 1000$ kg/m³

Ambient Temperature : 23.6 °C ; Liquid Temperature : 22.6 °C

DASY5 Configuration

- Probe: EX3DV4 - SN3931; ConvF(4.32, 4.32, 4.32); Calibrated: 2017/9/29;
- Sensor-Surface: 1.4mm (Mechanical Surface Detection)
- Electronics: DAE3 Sn393; Calibrated: 2017/8/10
- Phantom: ELI v4.0; Type: QDOVA001BB; Serial: 1026
- Measurement SW: DASY52, Version 52.8 (8); SEMCAD X Version 14.6.10 (7373)

Area Scan (61x101x1): Interpolated grid: dx=1.000 mm, dy=1.000 mm

Maximum value of SAR (interpolated) = 2.47 W/kg

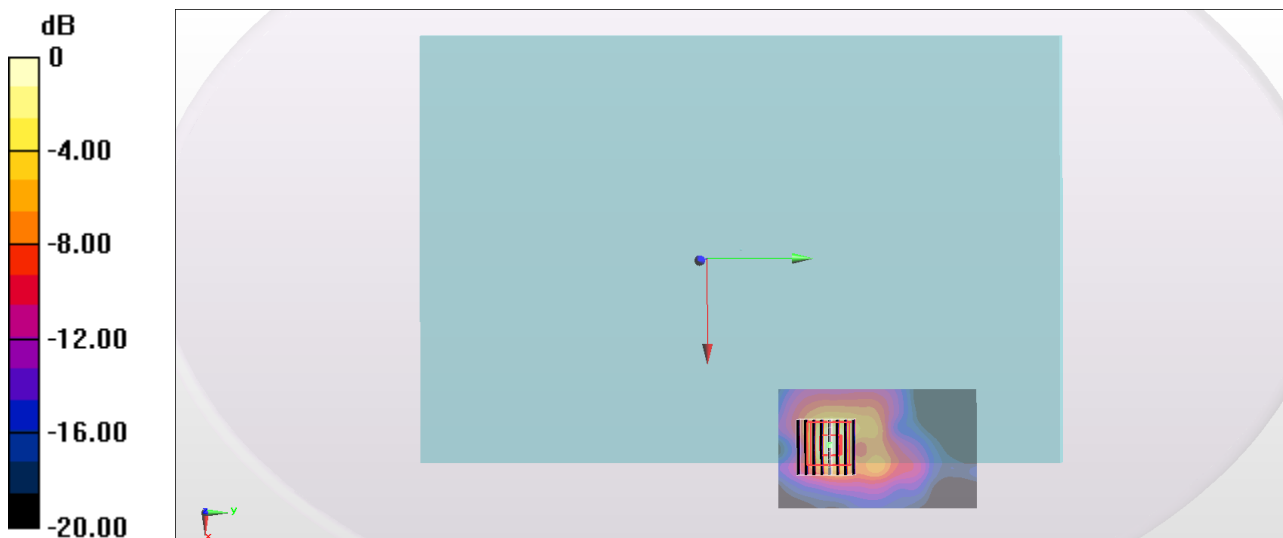
Zoom Scan (8x8x7)/Cube 0: Measurement grid: dx=4mm, dy=4mm, dz=1.4mm

Reference Value = 20.53 V/m; Power Drift = -0.03 dB

Peak SAR (extrapolated) = 4.71 W/kg

SAR(1 g) = 0.977 W/kg; SAR(10 g) = 0.305 W/kg

Maximum value of SAR (measured) = 2.43 W/kg



0 dB = 2.43 W/kg = 3.86 dBW/kg

#17_Bluetooth_1Mbps_Bottom of Laptop_0mm_Ch78;Ant 2

Communication System: Bluetooth; Frequency: 2480 MHz; Duty Cycle: 1:1.31

Medium: MSL_2450_171108 Medium parameters used: $f = 2480$ MHz; $\sigma = 1.999$ S/m; $\epsilon_r = 51.402$; $\rho = 1000$ kg/m³

Ambient Temperature : 23.6 °C ; Liquid Temperature : 22.6 °C

DASY5 Configuration

- Probe: EX3DV4 - SN3925; ConvF(7.94, 7.94, 7.94); Calibrated: 2017/5/24;
- Sensor-Surface: 1.4mm (Mechanical Surface Detection)
- Electronics: DAE4 Sn854; Calibrated: 2017/5/2
- Phantom: ELI v5.0; Type: QDOVA002AA; Serial: TP:1227
- Measurement SW: DASY52, Version 52.8 (8); SEMCAD X Version 14.6.10 (7373)

Area Scan (51x91x1): Interpolated grid: dx=1.200 mm, dy=1.200 mm

Maximum value of SAR (interpolated) = 0.152 W/kg

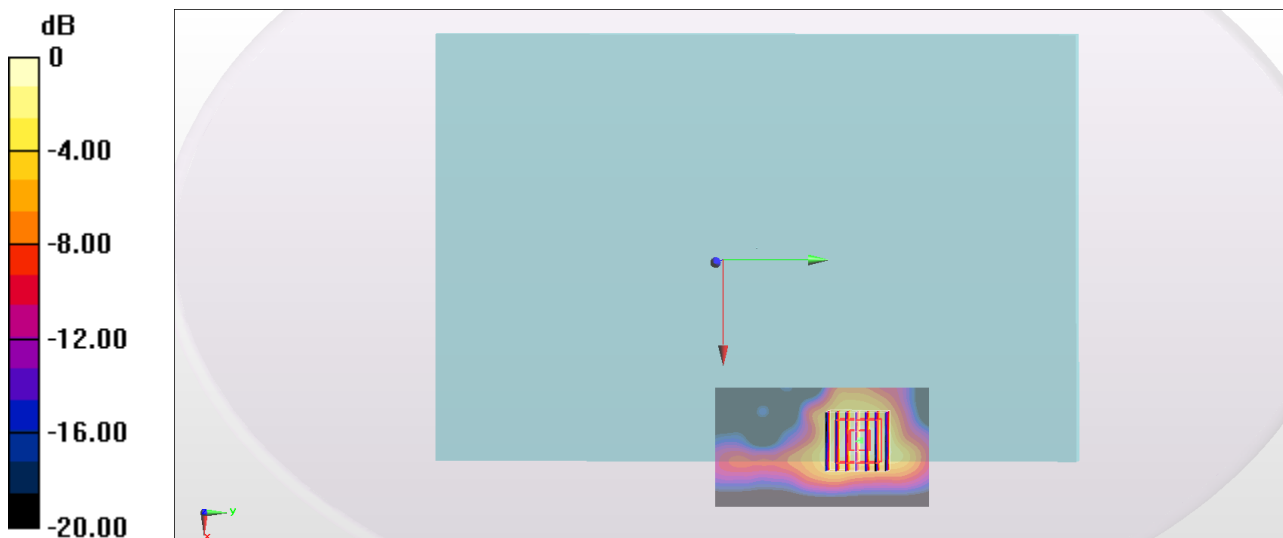
Zoom Scan (7x7x7)/Cube 0: Measurement grid: dx=5mm, dy=5mm, dz=5mm

Reference Value = 9.174 V/m; Power Drift = -0.01 dB

Peak SAR (extrapolated) = 0.195 W/kg

SAR(1 g) = 0.098 W/kg; SAR(10 g) = 0.048 W/kg

Maximum value of SAR (measured) = 0.157 W/kg



0 dB = 0.157 W/kg = -8.04 dBW/kg