



FCC RF Test Report

APPLICANT : LC Future Center Limited Taiwan Branch
EQUIPMENT : Notebook
BRAND NAME : Lenovo
MODEL NAME : TP00086A
FCC ID : 2AJN7-TP00086A
STANDARD : 47 CFR Part 2, 22(H), 24(E), 27
CLASSIFICATION : PCS Licensed Transmitter (PCB)

This is a partial report which is included the conducted output power, ERP/EIRP, and radiated test items. The product was received on Nov. 08, 2016 and completely tested on Nov. 25, 2016. We, SPORTON INTERNATIONAL INC., would like to declare that the tested sample has been evaluated in accordance with the test procedures given in ANSI / TIA / EIA-603-D-2010 and the testing has shown the tested sample to be in compliance with the applicable technical standards.

The test results in this report apply exclusively to the tested model / sample. Without written approval of SPORTON INTERNATIONAL INC., the test report shall not be reproduced except in full.

Reviewed by: Joseph Lin / Supervisor

Approved by: Jones Tsai / Manager



Testing Laboratory
1190

SPORTON INTERNATIONAL INC.

No. 52, Hwa Ya 1st Rd., Hwa Ya Technology Park, Kwei-Shan District, Tao Yuan City, Taiwan, R.O.C.

SPORTON INTERNATIONAL INC.

TEL : 886-3-327-3456

FAX : 886-3-328-4978

FCC ID : 2AJN7-TP00086A

Page Number : 1 of 22

Report Issued Date : Feb. 23, 2017

Report Version : Rev. 02

Report Template No.: BU5-FGLTE Version 1.6



TABLE OF CONTENTS

REVISION HISTORY..... 3
SUMMARY OF TEST RESULT 4
1 GENERAL DESCRIPTION 5
1.1 Applicant 5
1.2 Manufacturer 5
1.3 Product Feature of Equipment Under Test..... 5
1.4 Product Specification of Equipment Under Test..... 6
1.5 Modification of EUT 6
1.6 Maximum ERP / EIRP(W) 7
1.7 Testing Location 9
1.8 Applicable Standards..... 9
2 TEST CONFIGURATION OF EQUIPMENT UNDER TEST 10
2.1 Test Mode 10
2.2 Connection Diagram of Test System 12
2.3 Support Unit used in test configuration and system 12
2.4 Frequency List of Low/Middle/High Channels 13
3 CONDUCTED TEST ITEMS 17
3.1 Measuring Instruments 17
3.2 Test Setup 17
3.3 Test Result of Conducted Test 17
3.4 Conducted Output Power and ERP/EIRP 18
4 RADIATED TEST ITEMS 19
4.1 Measuring Instruments 19
4.2 Test Setup 19
4.3 Test Result of Radiated Test 19
4.4 Radiated Spurious Emission 20
5 LIST OF MEASURING EQUIPMENT 21
6 UNCERTAINTY OF EVALUATION 22
APPENDIX A. TEST RESULTS OF CONDUCTED TEST
APPENDIX B. TEST RESULTS OF ERP/EIRP AND RADIATED TEST
APPENDIX C. TEST SETUP PHOTOGRAPHS
APPENDIX D. ANTENNA INFORMATION



SUMMARY OF TEST RESULT

Report Section	FCC Rule	Description	Limit	Result	Remark
3.4	§2.1046	Conducted Output Power	Reporting Only	PASS	-
	§22.913(a)(2)	Effective Radiated Power (Band 5) (Band 26)	ERP < 7 Watt		
	§27.50(b)(10) §27.50(c)(10)	Effective Radiated Power (Band 12) (Band 13)	ERP < 3 Watt		
	§24.232(c) §27.50(h)(2)	Equivalent Isotropic Radiated Power (Band 2)(Band 25) (Band 7)(Band 41)	EIRP < 2Watt		
	§27.50(d)(4)	Equivalent Isotropic Radiated Power (Band 4)	EIRP < 1Watt		
4.4	§2.1053 §22.917(a) §24.238(a) §27.53(c)(2) §27.53(f) §27.53(g) §27.53(h)	Radiated Spurious Emission (Band 2) (Band 4) (Band 5) (Band 12) (Band 13) (Band 25) (Band 26)	< 43+10log ₁₀ (P[Watts])	PASS	Under limit 3.86 dB at 8040.000 MHz
	§2.1053 §27.53(m)(4)	Radiated Spurious Emission (Band 7)(Band 41)	< 55+10log ₁₀ (P[Watts])		



1 General Description

1.1 Applicant

LC Future Center Limited Taiwan Branch

7F., No.780, Bei'an Rd., Zhongshan Dist., Taipei City 104, Taiwan (R.O.C.)

1.2 Manufacturer

LC Future Center Limited Taiwan Branch

7F., No.780, Bei'an Rd., Zhongshan Dist., Taipei City 104, Taiwan (R.O.C.)

1.3 Product Feature of Equipment Under Test

Product Feature	
Equipment	Notebook
Brand Name	Lenovo
Model Name	TP00086A
FCC ID	2AJN7-TP00086A
Integrated WWAN Module	Manufacturer: Sierra Wireless Brand Name: AirPrime Model Name: EM7455
Sample 1	EUT with Antenna 1
Sample 2	EUT with Antenna 2
EUT supports Radios application	WCDMA/HSPA/LTE
EUT Stage	Production Unit



1.4 Product Specification of Equipment Under Test

Standards-related Product Specification	
Tx Frequency	LTE Band 2 : 1850.7 MHz ~ 1909.3 MHz LTE Band 4 : 1710.7 MHz ~ 1754.3 MHz LTE Band 5 : 824.7 MHz ~ 848.3 MHz LTE Band 7 : 2502.5 MHz ~ 2567.5 MHz LTE Band 12 : 699.7 MHz ~ 715.3 MHz LTE Band 13 : 779.5 MHz ~ 784.5 MHz LTE Band 25 : 1850.7MHz ~ 1914.3 MHz LTE Band 26 : 824.7MHz ~ 848.3 MHz LTE Band 41 : 2498.5 MHz ~ 2687.5 MHz
Rx Frequency	LTE Band 2 : 1930.7 MHz ~ 1989.3 MHz LTE Band 4 : 2110.7 MHz ~ 2154.3 MHz LTE Band 5 : 869.7 MHz ~ 893.3 MHz LTE Band 7 : 2622.5MHz ~ 2687.5 MHz LTE Band 12 : 729.7 MHz ~ 745.3 MHz LTE Band 13 : 748.5 MHz ~ 753.5 MHz LTE Band 25 : 1930.7MHz ~ 1994.3 MHz LTE Band 26 : 869.7MHz ~ 893.3MHz LTE Band 41 : 2498.5 MHz ~ 2687.5 MHz
Bandwidth	LTE Band 2 : 1.4MHz / 3MHz / 5MHz / 10MHz / 15MHz / 20MHz LTE Band 4 : 1.4MHz / 3MHz / 5MHz / 10MHz / 15MHz / 20MHz LTE Band 5 : 1.4MHz / 3MHz / 5MHz / 10MHz LTE Band 7 : 5MHz / 10MHz / 15MHz / 20MHz LTE Band 12 : 1.4MHz / 3MHz / 5MHz / 10MHz LTE Band 13 : 5MHz / 10MHz LTE Band 25 : 1.4MHz / 3MHz / 5MHz / 10MHz / 15MHz / 20MHz LTE Band 26 : 1.4MHz / 3MHz / 5MHz / 10MHz / 15MHz LTE Band 41 : 5MHz / 10MHz / 15MHz / 20MHz
Maximum Output Power to Antenna	LTE Band 2 : 22.99 dBm LTE Band 4 : 22.91 dBm LTE Band 5 : 22.69 dBm LTE Band 7 : 21.71 dBm LTE Band 12 : 23.18 dBm LTE Band 13 : 22.88 dBm LTE Band 25 : 23.01 dBm LTE Band 26 : 23.06 dBm LTE Band 41 : 21.73 dBm
Type of Modulation	QPSK / 16QAM

1.5 Modification of EUT

No modifications are made to the EUT during all test items.



1.6 Maximum ERP / EIRP(W)

LTE Band 2		QPSK	16QAM
BW(MHz)	Frequency Range (MHz)	Maximum EIRP(W)	Maximum EIRP(W)
1.4	1850.7 ~ 1909.3	0.3802	0.3236
3	1851.5 ~ 1908.5	0.3784	0.3236
5	1852.5 ~ 1907.5	0.3828	0.3266
10	1855.0 ~ 1905.0	0.3936	0.3350
15	1857.5 ~ 1902.5	0.3864	0.3266
20	1860.0 ~ 1900.0	0.3945	0.3296
LTE Band 25		QPSK	16QAM
BW(MHz)	Frequency Range (MHz)	Maximum EIRP(W)	Maximum EIRP(W)
1.4	1850.7 ~ 1914.3	0.3681	0.3062
3	1851.5 ~ 1913.5	0.3698	0.3027
5	1852.5 ~ 1912.5	0.3724	0.3076
10	1855.0 ~ 1910.0	0.3741	0.3148
15	1857.5 ~ 1907.5	0.3890	0.3228
20	1860.0 ~ 1905.0	0.3981	0.3404
LTE Band 4		QPSK	16QAM
BW(MHz)	Frequency Range (MHz)	Maximum EIRP(W)	Maximum EIRP(W)
1.4	1710.7 ~ 1754.3	0.3733	0.3177
3	1711.5 ~ 1753.5	0.3639	0.3034
5	1712.5 ~ 1752.5	0.3811	0.3243
10	1715.0 ~ 1750.0	0.3819	0.3228
15	1717.5 ~ 1747.5	0.3767	0.3177
20	1720.0 ~ 1745.0	0.3846	0.3281
LTE Band 5		QPSK	16QAM
BW(MHz)	Frequency Range (MHz)	Maximum ERP(W)	Maximum ERP(W)
1.4	824.7 ~ 848.3	0.1000	0.0859
3	825.5 ~ 847.5	0.0995	0.0774
5	826.5 ~ 846.5	0.0993	0.0849
10	829.0 ~ 844.0	0.1028	0.0857



LTE Band 7		QPSK	16QAM
BW(MHz)	Frequency Range (MHz)	Maximum EIRP(W)	Maximum EIRP(W)
5	2502.5 ~ 2567.5	0.2793	0.2382
10	2505.0 ~ 2565.0	0.2831	0.2404
15	2507.5 ~ 2562.5	0.2838	0.2449
20	2510.0 ~ 2560.0	0.2891	0.2438
LTE Band 12		QPSK	16QAM
BW(MHz)	Frequency Range (MHz)	Maximum ERP(W)	Maximum ERP(W)
1.4	699.7 ~ 715.3	0.0668	0.0575
3	700.5 ~ 714.5	0.0681	0.0577
5	701.5 ~ 713.5	0.0681	0.0596
10	704.0 ~ 711.0	0.0701	0.0583
LTE Band 26		QPSK	16QAM
BW(MHz)	Frequency Range (MHz)	Maximum ERP (W)	Maximum ERP (W)
1.4	824.7 ~ 848.3	0.1088	0.0928
3	825.5 ~ 847.5	0.1095	0.0920
5	826.5 ~ 846.5	0.1080	0.0922
10	829.0 ~ 844.0	0.1108	0.0961
15	831.5 ~ 841.5	0.1124	0.0941
LTE Band 13		QPSK	16QAM
BW(MHz)	Frequency Range (MHz)	Maximum ERP(W)	Maximum ERP(W)
5	779.5 ~ 784.5	0.0690	0.0583
10	782.0	0.0700	0.0587
LTE Band 41		QPSK	16QAM
BW(MHz)	Frequency Range (MHz)	Maximum EIRP(W)	Maximum EIRP(W)
5	2498.5 ~ 2687.5	0.2410	0.2051
10	2501.0 ~ 2685.0	0.2564	0.2028
15	2503.5 ~ 2682.5	0.2547	0.1954
20	2506.0 ~ 2680.0	0.2506	0.2109



1.7 Testing Location

Sporton Lab is accredited to ISO 17025 by Taiwan Accreditation Foundation (TAF code : 1190) and the FCC designation No. TW1022 under the FCC 2.948(e) by Mutual Recognition Agreement (MRA) in FCC Test.

Test Site	SPORTON INTERNATIONAL INC.	
Test Site Location	No. 52, Hwa Ya 1 st Rd., Hwa Ya Technology Park, Kwei-Shan District, Tao Yuan City, Taiwan, R.O.C. TEL: +886-3-327-3456 FAX: +886-3-328-4978	
Test Site No.	Sporton Site No.	
	TH02-HY	03CH07-HY

1.8 Applicable Standards

According to the specifications of the manufacturer, the EUT must comply with the requirements of the following standards:

- ♦ 47 CFR Part 2, 22(H), 24(E), 27
- ♦ ANSI / TIA / EIA-603-D-2010
- ♦ FCC KDB 971168 D01 Power Meas. License Digital Systems v02r02
- ♦ FCC KDB 412172 D01 Determining ERP and EIRP v01r01

Remark: All test items were verified and recorded according to the standards and without any deviation during the test.



2 Test Configuration of Equipment Under Test

2.1 Test Mode

Antenna port conducted and radiated test items listed below are performed according to KDB 971168 D01 Power Meas. License Digital Systems v02r02 with maximum output power.

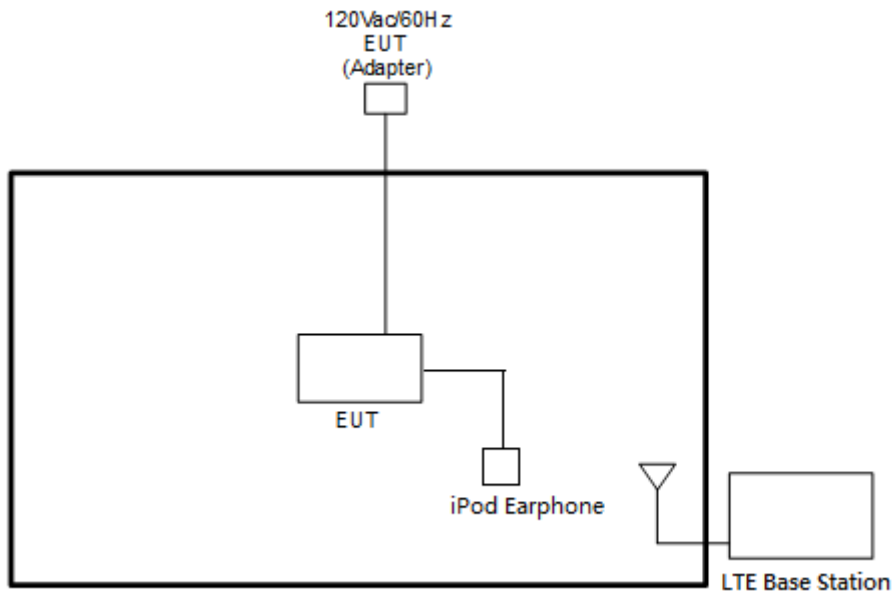
Radiated measurements are performed by rotating the EUT in three different orthogonal test planes to find the maximum emission.

Test Items	Band	Bandwidth (MHz)						Modulation		RB #			Test Channel		
		1.4	3	5	10	15	20	QPSK	16QAM	1	Half	Full	L	M	H
Max. Output Power	2	Y	Y	Y	Y	Y	Y	Y	Y	Y	Y	Y	Y	Y	Y
	4	Y	Y	Y	Y	Y	Y	Y	Y	Y	Y	Y	Y	Y	Y
	5	Y	Y	Y	Y	-	-	Y	Y	Y	Y	Y	Y	Y	Y
	7	-	-	Y	Y	Y	Y	Y	Y	Y	Y	Y	Y	Y	Y
	12	Y	Y	Y	Y	-	-	Y	Y	Y	Y	Y	Y	Y	Y
	13	-	-	Y	Y	-	-	Y	Y	Y	Y	Y	Y	Y	Y
	25	Y	Y	Y	Y	Y	Y	Y	Y	Y	Y	Y	Y	Y	Y
	26	Y	Y	Y	Y	Y	-	Y	Y	Y	Y	Y	Y	Y	Y
	41	-	-	Y	Y	Y	Y	Y	Y	Y	Y	Y	Y	Y	Y
E.R.P./ E.I.R.P.	2	Y	Y	Y	Y	Y	Y	Y	Y	Y			Y	Y	Y
	4	Y	Y	Y	Y	Y	Y	Y	Y	Y			Y	Y	Y
	5	Y	Y	Y	Y	-	-	Y	Y	Y			Y	Y	Y
	7	-	-	Y	Y	Y	Y	Y	Y	Y			Y	Y	Y
	12	Y	Y	Y	Y	-	-	Y	Y	Y			Y	Y	Y
	13	-	-	Y	Y	-	-	Y	Y	Y			Y	Y	Y
	25	Y	Y	Y	Y	Y	Y	Y	Y	Y			Y	Y	Y
	26	Y	Y	Y	Y	Y	-	Y	Y	Y			Y	Y	Y
	41	-	-	Y	Y	Y	Y	Y	Y	Y			Y	Y	Y



Radiated Spurious Emission	2	v	v	v	v	v	v	v	v	v	v	v	v	v	v	v
	4	v	v	v	v	v	v	v	v	v	v	v	v	v	v	v
	5	v	v	v	v	-	-	v	v	v	v	v	v	v	v	v
	7	-	-	v	v	v	v	v	v	v	v	v	v	v	v	v
	12	v	v	v	v	-	-	v	v	v	v	v	v	v	v	v
	13	-	-	v	v	-	-	v	v	v	v	v	v	v	v	v
	25	v	v	v	v	v	v	v	v	v	v	v	v	v	v	v
	26	v	v	v	v	v	-	v	v	v	v	v	v	v	v	v
	41	-	-	v	v	v	v	v	v	v	v	v	v	v	v	v
Note	<ol style="list-style-type: none"> 1. The mark “v” means that this configuration is chosen for testing 2. The mark “-“ means that this bandwidth is not supported. 3. The device is investigated from 30MHz to 10 times of fundamental signal for radiated spurious emission test under different RB size/offset and modulations in exploratory test. Subsequently, only the worst case emissions are reported. 															

2.2 Connection Diagram of Test System



2.3 Support Unit used in test configuration and system

Item	Equipment	Trade Name	Model No.	FCC ID	Data Cable	Power Cord
1.	LTE Base Station	Anritsu	MT8820C	N/A	N/A	Unshielded, 1.8 m
2.	iPod Earphone	Apple	N/A	Verification	Unshielded, 1.0 m	N/A



2.4 Frequency List of Low/Middle/High Channels

LTE Band 2 Channel and Frequency List				
BW [MHz]	Channel/Frequency(MHz)	Lowest	Middle	Highest
20	Channel	18700	18900	19100
	Frequency	1860	1880	1900
15	Channel	18675	18900	19125
	Frequency	1857.5	1880	1902.5
10	Channel	18650	18900	19150
	Frequency	1855	1880	1905
5	Channel	18625	18900	19175
	Frequency	1852.5	1880	1907.5
3	Channel	18615	18900	19185
	Frequency	1851.5	1880	1908.5
1.4	Channel	18607	18900	19193
	Frequency	1850.7	1880	1909.3

LTE Band 4 Channel and Frequency List				
BW [MHz]	Channel/Frequency(MHz)	Lowest	Middle	Highest
20	Channel	20050	20175	20300
	Frequency	1720	1732.5	1745
15	Channel	20025	20175	20325
	Frequency	1717.5	1732.5	1747.5
10	Channel	20000	20175	20350
	Frequency	1715	1732.5	1750
5	Channel	19975	20175	20375
	Frequency	1712.5	1732.5	1752.5
3	Channel	19965	20175	20385
	Frequency	1711.5	1732.5	1753.5
1.4	Channel	19957	20175	20393
	Frequency	1710.7	1732.5	1754.3



LTE Band 5 Channel and Frequency List				
BW [MHz]	Channel/Frequency(MHz)	Lowest	Middle	Highest
10	Channel	20450	20525	20600
	Frequency	829	836.5	844
5	Channel	20425	20525	20625
	Frequency	826.5	836.5	846.5
3	Channel	20415	20525	20635
	Frequency	825.5	836.5	847.5
1.4	Channel	20407	20525	20643
	Frequency	824.7	836.5	848.3

LTE Band 7 Channel and Frequency List				
BW [MHz]	Channel/Frequency(MHz)	Lowest	Middle	Highest
20	Channel	20850	21100	21350
	Frequency	2510	2535	2560
15	Channel	20825	21100	21375
	Frequency	2507.5	2535	2562.5
10	Channel	20800	21100	21400
	Frequency	2505	2535	2565
5	Channel	20775	21100	21425
	Frequency	2502.5	2535	2567.5

LTE Band 12 Channel and Frequency List				
BW [MHz]	Channel/Frequency(MHz)	Lowest	Middle	Highest
10	Channel	23060	23095	23130
	Frequency	704	707.5	711
5	Channel	23035	23095	23155
	Frequency	701.5	707.5	713.5
3	Channel	23025	23095	23165
	Frequency	700.5	707.5	714.5
1.4	Channel	23017	23095	23173
	Frequency	699.7	707.5	715.3



LTE Band 13 Channel and Frequency List				
BW [MHz]	Channel/Frequency(MHz)	Lowest	Middle	Highest
10	Channel	-	23230	-
	Frequency	-	782	-
5	Channel	23205	23230	23255
	Frequency	779.5	782	784.5

LTE Band 25 Channel and Frequency List				
BW [MHz]	Channel/Frequency(MHz)	Lowest	Middle	Highest
20	Channel	26140	26340	26590
	Frequency	1860	1880	1905
15	Channel	26115	26340	26615
	Frequency	1857.5	1880	1907.5
10	Channel	26090	26340	26640
	Frequency	1855	1880	1910
5	Channel	26065	26340	26665
	Frequency	1852.5	1880	1912.5
3	Channel	26055	26340	26675
	Frequency	1851.5	1880	1913.5
1.4	Channel	26047	26340	26683
	Frequency	1850.7	1880	1914.3

LTE Band 26 Channel and Frequency List				
BW [MHz]	Channel/Frequency(MHz)	Lowest	Middle	Highest
15	Channel	26865	26915	26965
	Frequency	831.5	836.5	841.5
10	Channel	26840	26915	26990
	Frequency	829	836.5	844
5	Channel	26815	26915	27015
	Frequency	826.5	836.5	846.5
3	Channel	26805	26915	27025
	Frequency	825.5	836.5	847.5
1.4	Channel	26797	26915	27033
	Frequency	824.7	836.5	848.3



LTE Band 41 Channel and Frequency List				
BW [MHz]	Channel/Frequency(MHz)	Lowest	Middle	Highest
20	Channel	39750	40620	41490
	Frequency	2506	2593	2680
15	Channel	39725	40620	41515
	Frequency	2503.5	2593	2682.5
10	Channel	39700	40620	41540
	Frequency	2501	2593	2685
5	Channel	39675	40620	41565
	Frequency	2498.5	2593	2687.5

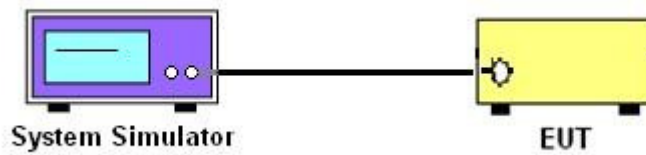
3 Conducted Test Items

3.1 Measuring Instruments

See list of measuring instruments of this test report.

3.2 Test Setup

3.2.1 Conducted Output Power



3.3 Test Result of Conducted Test

Please refer to Appendix A.



3.4 Conducted Output Power and ERP/EIRP

3.4.1 Description of the Conducted Output Power Measurement and ERP/EIRP Measurement

A system simulator was used to establish communication with the EUT. Its parameters were set to force the EUT transmitting at maximum output power. The measured power in the radio frequency on the transmitter output terminals shall be reported.

The ERP of mobile transmitters must not exceed 7 Watts for LTE Band 5.

The ERP of mobile transmitters must not exceed 3 Watts for LTE Band 12, Band 13.

The EIRP of mobile transmitters must not exceed 2 Watts for LTE Band 2 and Band 25 and Band 7 and Band 41.

The EIRP of mobile transmitters must not exceed 1 Watts for LTE Band 4.

According to KDB 412172 D01 Power Approach,

$EIRP = P_T + G_T - L_C$, $ERP = EIRP - 2.15$, where

P_T = transmitter output power in dBm

G_T = gain of the transmitting antenna in dBi

L_C = signal attenuation in the connecting cable between the transmitter and antenna in dB

3.4.2 Test Procedures

1. The transmitter output port was connected to the system simulator.
2. Set EUT at maximum power through the system simulator.
3. Select lowest, middle, and highest channels for each band and different modulation.
4. Measure and record the power level from the system simulator.

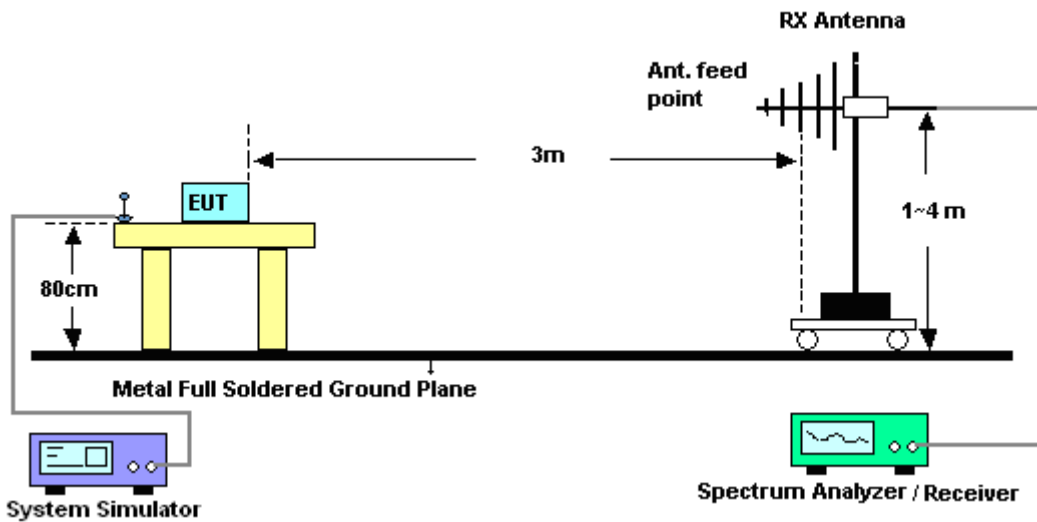
4 Radiated Test Items

4.1 Measuring Instruments

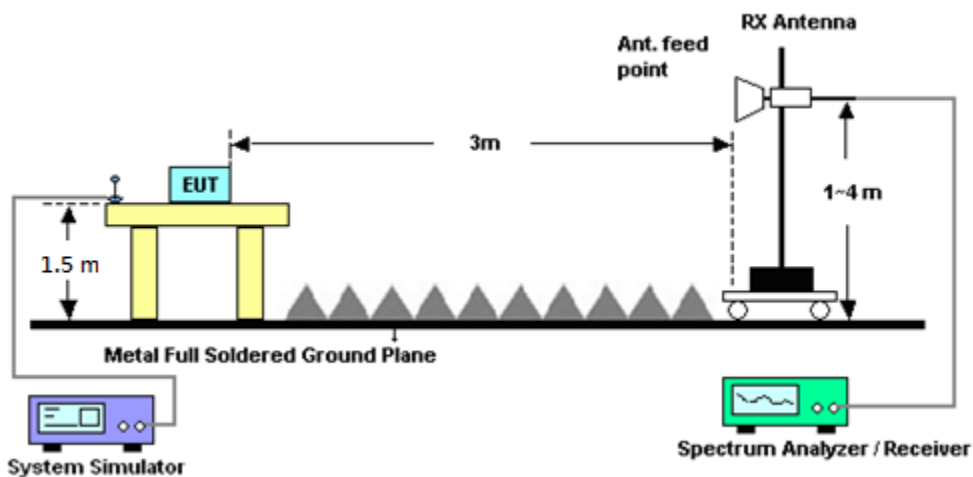
See list of measuring instruments of this test report.

4.2 Test Setup

4.2.1 For radiated test from 30MHz to 1GHz



4.2.2 For radiated test above 1GHz



4.3 Test Result of Radiated Test

Please refer to Appendix B.



4.4 Radiated Spurious Emission

4.4.1 Description of Radiated Spurious Emission

The radiated spurious emission was measured by substitution method according to ANSI / TIA / EIA-603-D-2010. The power of any emission outside of the authorized operating frequency ranges must be attenuated below the transmitter power (P) by a factor of at least $43 + 10 \log (P)$ dB.

For Band 7, 41

The power of any emission outside of the authorized operating frequency ranges must be attenuated below the transmitter power (P) by a factor of at least $55 + 10 \log (P)$ dB.

For LTE Band 12,13,17

For operations in the 746-758 MHz, 775-788 MHz, and 805-806 MHz bands, emissions in the band 1559-1610 MHz shall be limited to -70 dBW/MHz equivalent isotropically radiated power (EIRP) for wideband signals, and -80 dBW EIRP for discrete emissions of less than 700 Hz bandwidth.

The spectrum is scanned from 30 MHz up to a frequency including its 10th harmonic.

4.4.2 Test Procedures

1. The testing follows FCC KDB 971168 v02r02 Section 5.8 and ANSI / TIA-603-D-2010 Section 2.2.12.
2. The EUT was placed on a turntable with 0.8 meter for frequency below 1GHz and 1.5 meter for frequency above 1GHz respectively above ground.
3. The EUT was set 3 meters from the receiving antenna, which was mounted on the antenna tower.
4. The table was rotated 360 degrees to determine the position of the highest spurious emission.
5. The height of the receiving antenna is varied between one meter and four meters to search the maximum spurious emission for both horizontal and vertical polarizations.
6. Make the measurement with the spectrum analyzer's RBW = 1MHz, VBW = 3MHz, taking the record of maximum spurious emission.
7. A horn antenna was substituted in place of the EUT and was driven by a signal generator.
8. Tune the output power of signal generator to the same emission level with EUT maximum spurious emission.
9. Taking the record of output power at antenna port.
10. Repeat step 7 to step 8 for another polarization.
11. The RF fundamental frequency should be excluded against the limit line in the operating frequency band.

The limit line is derived from $43 + 10\log(P)$ dB below the transmitter power P(Watts)

$$= P(W) - [43 + 10\log(P)] \text{ (dB)}$$

$$= [30 + 10\log(P)] \text{ (dBm)} - [43 + 10\log(P)] \text{ (dB)}$$

$$= -13\text{dBm.}$$

12. For Band 7, 41:

The limit line is derived from $55 + 10\log(P)$ dB below the transmitter power P(Watts)

$$\text{EIRP (dBm)} = \text{S.G. Power} - \text{Tx Cable Loss} + \text{Tx Antenna Gain}$$

$$\text{ERP (dBm)} = \text{EIRP} - 2.15$$



5 List of Measuring Equipment

Instrument	Manufacturer	Model No.	Serial No.	Characteristics	Calibration Date	Test Date	Due Date	Remark
Base Station(Measu	Rohde & Schwarz	CMW500	116160	MIMO/LTE(FDD TDD with 42 43)	Mar. 02, 2016	Nov. 17, 2016 ~ Nov. 25, 2016	Mar. 01, 2017	Conducted (TH02-HY)
Bilog Antenna	TESEQ	CBL 6111D&008	35419&03	30MHz to 1GHz	Jan. 13, 2016	Nov. 17, 2016 ~ Nov. 25, 2016	Jan. 12, 2017	Radiation (03CH07-HY)
Double Ridge Horn Antenna	ESCO	3117	00075962	1GHz ~ 18GHz	Aug. 19, 2016	Nov. 17, 2016 ~ Nov. 25, 2016	Aug. 18, 2017	Radiation (03CH07-HY)
EMI Test Receiver	Keysight	N9038A(MXE)	MY54130085	20Hz ~ 8.4GHz	Oct. 26, 2016	Nov. 17, 2016 ~ Nov. 25, 2016	Oct. 25, 2017	Radiation (03CH07-HY)
Preamplifier	MITEQ	AMF-7D-00 101800-30-1	1590075	1GHz ~ 18GHz	Apr. 15, 2016	Nov. 17, 2016 ~ Nov. 25, 2016	Apr. 14, 2017	Radiation (03CH07-HY)
Preamplifier	COM-POWER	PA-103A	161241	10MHz-1GHz	Mar. 18, 2016	Nov. 17, 2016 ~ Nov. 25, 2016	Mar. 17, 2017	Radiation (03CH07-HY)
Spectrum Analyzer	Agilent	N9010A	MY53470118	10Hz~44GHz	Feb. 27, 2016	Nov. 17, 2016 ~ Nov. 25, 2016	Feb. 26, 2017	Radiation (03CH07-HY)
Antenna Mast	Max-Full	MFA520BS	N/A	1m~4m	N/A	Nov. 17, 2016 ~ Nov. 25, 2016	N/A	Radiation (03CH07-HY)
Turn Table	ChainTek	Chaintek 3000	N/A	0~360 Degree	N/A	Nov. 17, 2016 ~ Nov. 25, 2016	N/A	Radiation (03CH07-HY)
Preamplifier	MITEQ	JS44-18004 000-33-8P	1840917	18GHz ~ 40GHz	Jun. 14, 2016	Nov. 17, 2016 ~ Nov. 25, 2016	Jun. 13, 2017	Radiation (03CH07-HY)
SHF-EHF Horn Antenna	SCHWARZBECK	BBHA 9170	BBHA9170251	18GHz ~ 40GHz	Oct. 07, 2016	Nov. 17, 2016 ~ Nov. 25, 2016	Oct. 06, 2017	Radiation (03CH07-HY)
Horn Antenna	ESCO	3117	00066584	1GHz~18GHz	Sep. 02, 2016	Nov. 17, 2016 ~ Nov. 25, 2016	Sep. 01, 2017	Radiation (03CH07-HY)
Signal Generator	Rohde & Schwarz	SMF100A	101107	100kHz~40GHz	May 19, 2016	Nov. 17, 2016 ~ Nov. 25, 2016	May 18, 2017	Radiation (03CH07-HY)



6 Uncertainty of Evaluation

Uncertainty of Radiated Emission Measurement (30 MHz ~ 1000 MHz)

Measuring Uncertainty for a Level of Confidence of 95% ($U = 2Uc(y)$)	3.05
---	------

Uncertainty of Radiated Emission Measurement (1 GHz ~ 18 GHz)

Measuring Uncertainty for a Level of Confidence of 95% ($U = 2Uc(y)$)	3.44
---	------

Uncertainty of Radiated Emission Measurement (18 GHz ~ 40 GHz)

Measuring Uncertainty for a Level of Confidence of 95% ($U = 2Uc(y)$)	3.95
---	------





Appendix A. Test Results of Conducted Test

Conducted Output Power(Average power)

LTE Band 2 Maximum Average Power [dBm]						
BW [MHz]	RB Size	RB Offset	Mod	Lowest	Middle	Highest
20	1	0	QPSK	22.85	22.89	22.99
20	1	49		22.73	22.86	22.80
20	1	99		22.60	22.75	22.64
20	50	0		21.93	21.94	21.95
20	50	24		21.83	21.93	21.88
20	50	50		21.82	21.90	21.86
20	100	0		21.83	21.92	21.93
20	1	0	16-QAM	22.14	22.14	22.21
20	1	49		22.01	22.19	22.06
20	1	99		21.90	22.05	21.93
20	50	0		20.95	20.92	20.86
20	50	24		20.87	20.97	20.83
20	50	50		20.84	20.94	20.81
20	100	0		20.84	20.92	20.78
15	1	0	QPSK	22.83	22.82	22.79
15	1	37		22.79	22.90	22.74
15	1	74		22.78	22.79	22.82
15	36	0		21.87	21.83	21.77
15	36	20		21.87	21.95	21.90
15	36	39		21.77	21.80	21.85
15	75	0		21.86	21.84	21.84
15	1	0	16-QAM	22.17	22.10	22.05
15	1	37		22.05	22.17	21.97
15	1	74		22.03	22.16	22.05
15	36	0		20.85	20.90	20.76
15	36	20		20.87	21.02	20.92
15	36	39		20.73	20.93	20.88
15	75	0		20.87	20.89	20.86



LTE Band 2 Maximum Average Power [dBm]						
BW [MHz]	RB Size	RB Offset	Mod	Lowest	Middle	Highest
10	1	0	QPSK	22.98	22.87	22.94
10	1	25		22.78	22.91	22.88
10	1	49		22.95	22.86	22.81
10	25	0		22.01	21.88	21.84
10	25	12		21.95	21.94	21.71
10	25	25		21.87	21.88	21.79
10	50	0		21.93	21.95	21.82
10	1	0	16-QAM	22.28	22.15	22.17
10	1	25		22.08	22.17	21.96
10	1	49		22.18	22.13	22.10
10	25	0		20.99	20.90	20.86
10	25	12		20.92	20.92	20.73
10	25	25		20.85	20.91	20.76
10	50	0		20.89	20.91	20.82
5	1	0	QPSK	22.86	22.86	22.78
5	1	12		22.86	22.86	22.70
5	1	24		22.74	22.65	22.58
5	12	0		21.80	21.80	21.62
5	12	7		21.87	21.89	21.68
5	12	13		21.77	21.66	21.61
5	25	0		21.83	21.88	21.65
5	1	0	16-QAM	22.11	22.16	22.06
5	1	12		22.17	22.15	22.05
5	1	24		22.07	21.95	21.91
5	12	0		20.81	20.83	20.68
5	12	7		20.84	20.89	20.70
5	12	13		20.80	20.76	20.63
5	25	0		20.80	20.88	20.59



LTE Band 2 Maximum Average Power [dBm]						
BW [MHz]	RB Size	RB Offset	Mod	Lowest	Middle	Highest
3	1	0	QPSK	22.73	22.75	22.69
3	1	8		22.78	22.81	22.57
3	1	14		22.63	22.65	22.53
3	8	0		21.82	21.77	21.57
3	8	4		21.84	21.81	21.63
3	8	7		21.80	21.73	21.61
3	15	0		21.82	21.76	21.61
3	1	0	16-QAM	21.97	21.91	21.87
3	1	8		22.13	22.06	21.96
3	1	14		21.86	21.74	21.80
3	8	0		20.88	20.84	20.63
3	8	4		20.92	20.86	20.66
3	8	7		20.85	20.80	20.62
3	15	0		20.84	20.75	20.62
1.4	1	0	QPSK	22.75	22.77	22.73
1.4	1	3		22.75	22.83	22.67
1.4	1	5		22.68	22.65	22.62
1.4	3	0		22.68	22.74	22.59
1.4	3	1		22.78	22.81	22.65
1.4	3	3		22.69	22.80	22.60
1.4	6	0		21.69	21.79	21.61
1.4	1	0	16-QAM	22.03	22.06	21.97
1.4	1	3		22.04	22.13	22.01
1.4	1	5		22.01	22.00	21.92
1.4	3	0		21.79	21.83	21.67
1.4	3	1		21.80	21.84	21.65
1.4	3	3		21.77	21.85	21.67
1.4	6	0		20.77	20.88	20.68



LTE Band 25 Maximum Average Power [dBm]						
BW [MHz]	RB Size	RB Offset	Mod	Lowest	Middle	Highest
20	1	0	QPSK	22.98	23.01	22.98
20	1	49		22.81	22.85	22.84
20	1	99		22.73	22.63	22.83
20	50	0		21.93	21.92	21.98
20	50	24		21.90	21.91	21.91
20	50	50		21.92	21.85	21.84
20	100	0		21.85	21.96	21.97
20	1	0	16-QAM	22.25	22.33	22.29
20	1	49		22.16	22.28	22.19
20	1	99		22.04	21.98	22.12
20	50	0		20.87	20.86	20.95
20	50	24		20.87	20.96	20.93
20	50	50		20.89	20.88	20.88
20	100	0		20.91	20.96	20.99
15	1	0	QPSK	22.66	22.72	22.76
15	1	37		22.87	22.61	22.91
15	1	74		22.67	22.72	22.79
15	36	0		21.60	21.68	21.67
15	36	20		21.80	21.83	21.77
15	36	39		21.78	21.79	21.79
15	75	0		21.54	21.65	21.72
15	1	0	16-QAM	21.91	21.95	22.06
15	1	37		21.96	21.93	22.10
15	1	74		22.07	21.88	22.02
15	36	0		20.54	20.60	20.83
15	36	20		20.87	20.63	20.82
15	36	39		20.77	20.66	20.76
15	75	0		20.70	20.79	20.74



LTE Band 25 Maximum Average Power [dBm]						
BW [MHz]	RB Size	RB Offset	Mod	Lowest	Middle	Highest
10	1	0	QPSK	22.72	22.68	22.61
10	1	25		22.48	22.50	22.58
10	1	49		22.43	22.74	22.61
10	25	0		21.53	21.69	21.49
10	25	12		21.51	21.75	21.49
10	25	25		21.49	21.58	21.59
10	50	0		21.51	21.77	21.57
10	1	0	16-QAM	21.99	21.98	21.94
10	1	25		21.79	21.81	21.88
10	1	49		21.94	21.89	21.89
10	25	0		20.55	20.59	20.44
10	25	12		20.49	20.58	20.69
10	25	25		20.45	20.68	20.54
10	50	0		20.52	20.70	20.57
5	1	0	QPSK	22.57	22.63	22.70
5	1	12		22.40	22.65	22.72
5	1	24		22.42	22.45	22.53
5	12	0		21.59	21.69	21.52
5	12	7		21.53	21.49	21.53
5	12	13		21.49	21.48	21.64
5	25	0		21.50	21.53	21.60
5	1	0	16-QAM	21.76	21.85	21.82
5	1	12		21.64	21.77	21.89
5	1	24		21.68	21.88	21.72
5	12	0		20.56	20.65	20.55
5	12	7		20.68	20.63	20.58
5	12	13		20.48	20.65	20.69
5	25	0		20.55	20.56	20.66



LTE Band 25 Maximum Average Power [dBm]						
BW [MHz]	RB Size	RB Offset	Mod	Lowest	Middle	Highest
3	1	0	QPSK	22.61	22.69	22.48
3	1	8		22.46	22.43	22.52
3	1	14		22.43	22.50	22.43
3	8	0		21.81	21.60	21.35
3	8	4		21.90	21.61	21.58
3	8	7		21.76	21.48	21.39
3	15	0		21.85	21.44	21.56
3	1	0	16-QAM	21.82	21.82	21.63
3	1	8		21.74	21.81	21.64
3	1	14		21.81	21.70	21.57
3	8	0		20.64	20.55	20.49
3	8	4		20.61	20.54	20.50
3	8	7		20.67	20.54	20.39
3	15	0		20.47	20.51	20.52
1.4	1	0	QPSK	22.57	22.48	22.38
1.4	1	3		22.37	22.58	22.46
1.4	1	5		22.31	22.44	22.40
1.4	3	0		22.43	22.47	22.48
1.4	3	1		22.42	22.67	22.50
1.4	3	3		22.48	22.47	22.30
1.4	6	0		21.29	21.45	21.37
1.4	1	0	16-QAM	21.87	21.83	21.73
1.4	1	3		21.73	21.63	21.79
1.4	1	5		21.63	21.72	21.64
1.4	3	0		21.44	21.59	21.50
1.4	3	1		21.53	21.63	21.61
1.4	3	3		21.45	21.46	21.52
1.4	6	0		20.57	20.49	20.47



LTE Band 4 Maximum Average Power [dBm]						
BW [MHz]	RB Size	RB Offset	Mod	Lowest	Middle	Highest
20	1	0	QPSK	22.74	22.91	22.89
20	1	49		22.58	22.80	22.87
20	1	99		22.50	22.56	22.77
20	50	0		21.74	21.88	21.87
20	50	24		21.71	21.79	21.84
20	50	50		21.62	21.76	21.82
20	100	0		21.73	21.90	21.89
20	1	0	16-QAM	22.07	22.00	22.22
20	1	49		21.97	22.13	22.17
20	1	99		21.77	21.83	22.04
20	50	0		20.67	20.75	20.89
20	50	24		20.70	20.80	20.92
20	50	50		20.59	20.77	20.80
20	100	0		20.72	20.76	20.89
15	1	0	QPSK	22.56	22.77	22.82
15	1	37		22.41	22.71	22.71
15	1	74		22.79	22.72	22.56
15	36	0		21.74	21.71	21.71
15	36	20		21.79	21.91	21.85
15	36	39		21.64	21.80	21.64
15	75	0		21.67	21.85	21.72
15	1	0	16-QAM	21.80	22.01	22.08
15	1	37		21.83	22.01	21.94
15	1	74		21.98	21.91	21.85
15	36	0		20.66	20.77	20.67
15	36	20		20.64	20.94	20.79
15	36	39		20.62	20.74	20.63
15	75	0		20.63	20.89	20.77



LTE Band 4 Maximum Average Power [dBm]						
BW [MHz]	RB Size	RB Offset	Mod	Lowest	Middle	Highest
10	1	0	QPSK	22.88	22.86	22.74
10	1	25		22.84	22.69	22.60
10	1	49		22.66	22.62	22.55
10	25	0		21.89	21.83	21.66
10	25	12		21.71	21.70	21.62
10	25	25		21.68	21.69	21.57
10	50	0		21.73	21.75	21.62
10	1	0	16-QAM	22.04	22.09	22.15
10	1	25		21.92	21.85	21.76
10	1	49		22.06	21.97	21.82
10	25	0		20.85	20.88	20.77
10	25	12		20.66	20.84	20.70
10	25	25		20.78	20.78	20.60
10	50	0		20.81	20.77	20.63
5	1	0	QPSK	22.87	22.81	22.66
5	1	12		22.64	22.70	22.83
5	1	24		22.66	22.51	22.65
5	12	0		21.65	21.76	21.72
5	12	7		21.63	21.57	21.74
5	12	13		21.52	21.43	21.64
5	25	0		21.57	21.51	21.78
5	1	0	16-QAM	22.07	21.96	21.91
5	1	12		22.10	21.95	22.17
5	1	24		21.94	21.73	21.76
5	12	0		20.71	20.72	20.69
5	12	7		20.68	20.73	20.79
5	12	13		20.64	20.45	20.62
5	25	0		20.60	20.59	20.68



LTE Band 4 Maximum Average Power [dBm]						
BW [MHz]	RB Size	RB Offset	Mod	Lowest	Middle	Highest
3	1	0	QPSK	22.64	22.63	22.65
3	1	8		22.67	22.52	22.52
3	1	14		22.64	22.46	22.50
3	8	0		21.49	21.51	21.63
3	8	4		21.68	21.44	21.55
3	8	7		21.56	21.51	21.55
3	15	0		21.70	21.54	21.55
3	1	0	16-QAM	21.77	21.85	21.84
3	1	8		21.88	21.83	21.82
3	1	14		21.71	21.81	21.73
3	8	0		20.70	20.75	20.55
3	8	4		20.67	20.62	20.60
3	8	7		20.65	20.50	20.42
3	15	0		20.69	20.59	20.41
1.4	1	0	QPSK	22.78	22.77	22.66
1.4	1	3		22.78	22.62	22.58
1.4	1	5		22.73	22.46	22.53
1.4	3	0		22.60	22.49	22.51
1.4	3	1		22.62	22.67	22.68
1.4	3	3		22.61	22.64	22.51
1.4	6	0		21.63	21.65	21.37
1.4	1	0	16-QAM	22.08	21.95	21.79
1.4	1	3		22.01	21.84	22.01
1.4	1	5		21.79	21.74	21.72
1.4	3	0		21.62	21.57	21.57
1.4	3	1		21.65	21.52	21.46
1.4	3	3		21.71	21.62	21.61
1.4	6	0		20.57	20.55	20.56



LTE Band 5 Maximum Average Power [dBm]						
BW [MHz]	RB Size	RB Offset	Mod	Lowest	Middle	Highest
10	1	0	QPSK	22.66	22.69	22.68
10	1	25		22.62	22.56	22.65
10	1	49		22.40	22.43	22.54
10	25	0		21.50	21.51	21.47
10	25	12		21.49	21.45	21.46
10	25	25		21.37	21.41	21.45
10	50	0		21.50	21.51	21.44
10	1	0	16-QAM	21.90	21.76	21.80
10	1	25		21.77	21.76	21.86
10	1	49		21.70	21.69	21.78
10	25	0		20.53	20.43	20.44
10	25	12		20.53	20.46	20.47
10	25	25		20.43	20.43	20.56
10	50	0		20.52	20.40	20.47
5	1	0	QPSK	22.54	22.54	22.49
5	1	12		22.40	22.50	22.43
5	1	24		22.52	22.52	22.41
5	12	0		21.40	21.46	21.44
5	12	7		21.41	21.50	21.49
5	12	13		21.37	21.41	21.37
5	25	0		21.49	21.53	21.48
5	1	0	16-QAM	21.75	21.81	21.72
5	1	12		21.81	21.86	21.80
5	1	24		21.70	21.81	21.64
5	12	0		20.47	20.50	20.56
5	12	7		20.45	20.55	20.48
5	12	13		20.48	20.53	20.53
5	25	0		20.45	20.50	20.44



LTE Band 5 Maximum Average Power [dBm]						
BW [MHz]	RB Size	RB Offset	Mod	Lowest	Middle	Highest
3	1	0	QPSK	22.39	22.50	22.37
3	1	8		22.36	22.55	22.51
3	1	14		22.34	22.49	22.39
3	8	0		21.28	21.45	21.50
3	8	4		21.46	21.56	21.46
3	8	7		21.31	21.50	21.40
3	15	0		21.44	21.42	21.32
3	1	0	16-QAM	21.32	21.39	21.34
3	1	8		21.44	21.46	21.33
3	1	14		21.32	21.52	21.37
3	8	0		20.17	20.28	20.26
3	8	4		20.17	20.31	20.23
3	8	7		20.18	20.28	20.21
3	15	0		20.11	20.16	20.07
1.4	1	0	QPSK	22.47	22.46	22.51
1.4	1	3		22.47	22.57	22.51
1.4	1	5		22.38	22.52	22.34
1.4	3	0		22.36	22.36	22.48
1.4	3	1		22.39	22.46	22.47
1.4	3	3		22.42	22.41	22.44
1.4	6	0		21.28	21.41	21.30
1.4	1	0	16-QAM	21.71	21.81	21.73
1.4	1	3		21.67	21.75	21.79
1.4	1	5		21.76	21.91	21.72
1.4	3	0		21.35	21.46	21.43
1.4	3	1		21.45	21.50	21.46
1.4	3	3		21.44	21.52	21.51
1.4	6	0		20.39	20.49	20.53



LTE Band 7 Maximum Average Power [dBm]						
BW [MHz]	RB Size	RB Offset	Mod	Lowest	Middle	Highest
20	1	0	QPSK	21.49	21.71	21.36
20	1	49		21.42	21.71	21.34
20	1	99		21.48	21.49	21.27
20	50	0		20.55	20.74	20.39
20	50	24		20.46	20.73	20.38
20	50	50		20.54	20.66	20.33
20	100	0		20.46	20.68	20.37
20	1	0	16-QAM	20.65	20.86	20.57
20	1	49		20.64	20.97	20.62
20	1	99		20.74	20.76	20.51
20	50	0		19.48	19.71	19.25
20	50	24		19.43	19.81	19.38
20	50	50		19.53	19.70	19.37
20	100	0		19.51	19.72	19.41
15	1	0	QPSK	21.41	21.57	21.22
15	1	37		21.63	21.52	21.44
15	1	74		21.44	21.40	21.14
15	36	0		20.54	20.77	20.25
15	36	20		20.70	20.73	20.36
15	36	39		20.61	20.55	20.23
15	75	0		20.62	20.67	20.33
15	1	0	16-QAM	20.65	20.99	20.54
15	1	37		20.96	20.97	20.68
15	1	74		20.71	20.68	20.67
15	36	0		19.57	19.78	19.31
15	36	20		19.77	19.72	19.42
15	36	39		19.62	19.58	19.35
15	75	0		19.61	19.60	19.36



LTE Band 7 Maximum Average Power [dBm]						
BW [MHz]	RB Size	RB Offset	Mod	Lowest	Middle	Highest
10	1	0	QPSK	21.43	21.49	21.18
10	1	25		21.55	21.62	21.39
10	1	49		21.31	21.34	21.15
10	25	0		20.35	20.51	20.21
10	25	12		20.46	20.58	20.36
10	25	25		20.35	20.45	20.20
10	50	0		20.42	20.49	20.24
10	1	0	16-QAM	20.76	20.90	20.55
10	1	25		20.72	20.91	20.66
10	1	49		20.65	20.65	20.39
10	25	0		19.44	19.55	19.20
10	25	12		19.42	19.52	19.30
10	25	25		19.30	19.48	19.26
10	50	0		19.43	19.45	19.21
5	1	0	QPSK	21.41	21.48	21.27
5	1	12		21.39	21.56	21.23
5	1	24		21.39	21.51	21.20
5	12	0		20.26	20.47	20.23
5	12	7		20.36	20.48	20.32
5	12	13		20.34	20.52	20.26
5	25	0		20.34	20.49	20.27
5	1	0	16-QAM	20.65	20.83	20.56
5	1	12		20.77	20.87	20.71
5	1	24		20.63	20.70	20.53
5	12	0		19.36	19.59	19.36
5	12	7		19.39	19.55	19.33
5	12	13		19.36	19.52	19.36
5	25	0		19.39	19.56	19.27



LTE Band 12 Maximum Average Power [dBm]						
BW [MHz]	RB Size	RB Offset	Mod	Lowest	Middle	Highest
10	1	0	QPSK	23.16	23.18	23.11
10	1	25		23.15	23.07	23.10
10	1	49		22.96	23.09	22.96
10	25	0		22.11	22.12	21.89
10	25	12		22.10	21.94	21.88
10	25	25		21.97	21.84	21.88
10	50	0		22.02	22.03	21.95
10	1	0	16-QAM	22.32	22.30	22.32
10	1	25		22.38	22.36	22.28
10	1	49		22.24	22.28	22.26
10	25	0		21.02	20.99	20.91
10	25	12		21.09	20.96	20.91
10	25	25		20.98	20.90	20.91
10	50	0		21.01	20.95	20.95
5	1	0	QPSK	22.84	23.00	22.69
5	1	12		23.05	22.99	22.91
5	1	24		22.84	22.86	22.58
5	12	0		21.97	22.21	21.73
5	12	7		22.18	22.15	21.86
5	12	13		22.02	22.03	21.71
5	25	0		22.02	22.09	21.76
5	1	0	16-QAM	22.13	22.47	22.01
5	1	12		22.40	22.42	22.14
5	1	24		22.17	22.12	22.10
5	12	0		21.04	21.19	20.72
5	12	7		21.20	21.16	20.87
5	12	13		21.04	21.00	20.75
5	25	0		21.08	21.10	20.79



LTE Band 12 Maximum Average Power [dBm]						
BW [MHz]	RB Size	RB Offset	Mod	Lowest	Middle	Highest
3	1	0	QPSK	22.87	22.97	22.62
3	1	8		22.97	23.05	22.84
3	1	14		22.80	22.77	22.63
3	8	0		21.81	21.98	21.61
3	8	4		21.91	21.99	21.76
3	8	7		21.75	21.92	21.69
3	15	0		21.84	21.95	21.71
3	1	0	16-QAM	22.18	22.31	21.97
3	1	8		22.19	22.33	22.08
3	1	14		22.06	22.09	21.87
3	8	0		20.88	21.01	20.64
3	8	4		20.92	20.98	20.78
3	8	7		20.75	20.92	20.71
3	15	0		20.86	20.94	20.71
1.4	1	0	QPSK	22.85	22.97	22.72
1.4	1	3		22.80	22.96	22.73
1.4	1	5		22.80	22.91	22.67
1.4	3	0		22.16	22.35	22.11
1.4	3	1		22.23	22.37	22.19
1.4	3	3		22.15	22.32	22.11
1.4	6	0		21.78	21.93	21.73
1.4	1	0	16-QAM	22.15	22.30	22.04
1.4	1	3		22.18	22.32	22.18
1.4	1	5		22.10	22.19	22.02
1.4	3	0		21.26	21.39	21.19
1.4	3	1		21.27	21.39	21.19
1.4	3	3		21.18	21.37	21.19
1.4	6	0		20.80	20.96	20.75



LTE Band 13 Maximum Average Power [dBm]						
BW [MHz]	RB Size	RB Offset	Mod	Lowest	Middle	Highest
10	1	0	QPSK		22.88	
10	1	25			22.86	
10	1	49			22.60	
10	25	0			21.70	
10	25	12			21.67	
10	25	25			21.63	
10	50	0			21.76	
10	1	0	16-QAM		21.82	
10	1	25			22.12	
10	1	49			21.95	
10	25	0			20.72	
10	25	12			20.70	
10	25	25			20.55	
10	50	0			20.71	
5	1	0	QPSK	22.49	22.61	22.67
5	1	12		22.78	22.57	22.62
5	1	24		22.73	22.54	22.82
5	12	0		21.67	21.60	21.60
5	12	7		21.69	21.63	21.72
5	12	13		21.72	21.48	21.70
5	25	0		21.72	21.58	21.61
5	1	0	16-QAM	21.94	21.87	21.93
5	1	12		22.09	21.92	22.02
5	1	24		22.02	21.72	22.09
5	12	0		20.64	20.57	20.62
5	12	7		20.71	20.59	20.71
5	12	13		20.71	20.60	20.73
5	25	0		20.84	20.65	20.59



LTE Band 26 Maximum Average Power [dBm]						
BW [MHz]	RB Size	RB Offset	Mod	Lowest	Middle	Highest
15	1	0	QPSK	23.04	23.06	23.05
15	1	37		22.98	22.78	23.00
15	1	74		22.89	22.99	23.03
15	36	0		22.00	22.09	22.07
15	36	20		21.98	21.96	21.96
15	36	39		21.93	21.83	21.96
15	75	0		22.00	22.05	22.04
15	1	0	16-QAM	22.29	22.25	22.17
15	1	37		22.21	22.18	22.23
15	1	74		22.07	22.18	22.29
15	36	0		21.01	20.83	20.95
15	36	20		21.02	20.90	20.95
15	36	39		20.83	20.81	20.89
15	75	0		20.96	20.94	21.08
10	1	0	QPSK	23.00	22.75	22.80
10	1	25		22.94	22.63	22.75
10	1	49		22.78	22.53	22.54
10	25	0		21.91	21.53	21.55
10	25	12		21.78	21.56	21.52
10	25	25		21.84	21.46	21.53
10	50	0		21.87	21.58	21.63
10	1	0	16-QAM	22.38	22.06	22.09
10	1	25		22.21	21.86	21.99
10	1	49		22.13	21.83	21.87
10	25	0		20.89	20.53	20.55
10	25	12		20.77	20.54	20.50
10	25	25		20.79	20.47	20.48
10	50	0		20.80	20.52	20.58



LTE Band 26 Maximum Average Power [dBm]						
BW [MHz]	RB Size	RB Offset	Mod	Lowest	Middle	Highest
5	1	0	QPSK	22.89	22.78	22.82
5	1	12		22.80	22.68	22.84
5	1	24		22.89	22.71	22.81
5	12	0		21.92	21.55	21.71
5	12	7		21.85	21.70	21.82
5	12	13		21.75	21.62	21.71
5	25	0		21.88	21.65	21.83
5	1	0	16-QAM	22.20	22.01	22.11
5	1	12		22.18	22.08	22.13
5	1	24		22.09	21.93	22.04
5	12	0		20.86	20.50	20.74
5	12	7		20.78	20.70	20.79
5	12	13		20.83	20.60	20.76
5	25	0		20.85	20.66	20.78
3	1	0	QPSK	22.93	22.70	22.85
3	1	8		22.92	22.69	22.95
3	1	14		22.75	22.68	22.79
3	8	0		21.88	21.64	21.84
3	8	4		21.95	21.77	21.81
3	8	7		21.79	21.61	21.83
3	15	0		21.88	21.74	21.78
3	1	0	16-QAM	22.07	21.88	22.12
3	1	8		22.19	22.01	22.19
3	1	14		22.13	21.93	22.04
3	8	0		20.89	20.59	20.81
3	8	4		20.89	20.76	20.85
3	8	7		20.95	20.69	20.86
3	15	0		20.90	20.63	20.80



LTE Band 26 Maximum Average Power [dBm]						
BW [MHz]	RB Size	RB Offset	Mod	Lowest	Middle	Highest
1.4	1	0	QPSK	22.80	22.81	22.86
1.4	1	3		22.90	22.74	22.88
1.4	1	5		22.92	22.58	22.86
1.4	3	0		22.81	22.62	22.81
1.4	3	1		22.85	22.79	22.88
1.4	3	3		22.85	22.76	22.87
1.4	6	0		21.84	21.61	21.73
1.4	1	0	16-QAM	22.11	21.98	22.09
1.4	1	3		22.23	22.00	22.09
1.4	1	5		22.17	21.92	22.08
1.4	3	0		21.80	21.80	21.84
1.4	3	1		21.95	21.75	21.82
1.4	3	3		21.97	21.79	21.88
1.4	6	0		20.86	20.66	20.83



LTE Band 41 Maximum Average Power [dBm]						
BW [MHz]	RB Size	RB Offset	Mod	Lowest	Middle	Highest
20	1	0	QPSK	21.52	21.63	21.57
20	1	49		21.51	21.62	21.56
20	1	99		21.46	21.49	21.50
20	50	0		20.78	20.73	20.77
20	50	24		20.77	20.72	20.82
20	50	50		20.65	20.66	20.76
20	100	0		20.69	20.69	20.77
20	1	0	16-QAM	20.63	20.52	20.88
20	1	49		20.80	20.72	20.84
20	1	99		20.58	20.56	20.82
20	50	0		19.68	19.51	19.79
20	50	24		19.80	19.73	19.81
20	50	50		19.75	19.67	19.79
20	100	0		19.77	19.69	19.81
15	1	0	QPSK	21.54	21.40	21.59
15	1	37		21.67	21.39	21.70
15	1	74		21.25	21.29	21.31
15	36	0		20.58	20.25	20.61
15	36	20		20.54	20.26	20.52
15	36	39		20.37	20.15	20.40
15	75	0		20.44	20.19	20.47
15	1	0	16-QAM	20.45	20.42	20.51
15	1	37		20.51	20.36	20.55
15	1	74		20.19	20.08	20.39
15	36	0		19.56	19.20	19.51
15	36	20		19.49	19.22	19.50
15	36	39		19.27	19.07	19.36
15	75	0		19.42	19.20	19.41



LTE Band 41 Maximum Average Power [dBm]						
BW [MHz]	RB Size	RB Offset	Mod	Lowest	Middle	Highest
10	1	0	QPSK	21.56	21.26	21.33
10	1	25		21.73	21.29	21.25
10	1	49		21.52	21.26	21.24
10	25	0		20.63	20.15	20.34
10	25	12		20.62	20.24	20.30
10	25	25		20.48	20.19	20.29
10	50	0		20.53	20.16	20.36
10	1	0	16-QAM	20.71	20.30	20.46
10	1	25		20.71	20.39	20.49
10	1	49		20.56	20.24	20.28
10	25	0		19.65	19.18	19.35
10	25	12		19.66	19.25	19.36
10	25	25		19.47	19.28	19.28
10	50	0		19.58	19.18	19.36
5	1	0	QPSK	21.43	21.16	21.17
5	1	12		21.46	21.15	21.21
5	1	24		21.36	21.15	21.08
5	12	0		20.57	20.24	20.34
5	12	7		20.64	20.21	20.39
5	12	13		20.60	20.16	20.36
5	25	0		20.54	20.16	20.34
5	1	0	16-QAM	20.67	20.29	20.52
5	1	12		20.76	20.31	20.61
5	1	24		20.69	20.32	20.49
5	12	0		19.57	19.22	19.32
5	12	7		19.61	19.21	19.35
5	12	13		19.61	19.18	19.33
5	25	0		19.62	19.21	19.38



Appendix B. Test Results of ERP/EIRP and Radiated Test

ERP/EIRP

LTE Band 2 / 1.4MHz (Average) (GT - LC = 2.97 dB)							
Channel	Mode	RB		Conducted		EIRP	
		Size	Offset	Power (dBm)	Power (Watts)	EIRP(dBm)	EIRP(W)
Lowest	QPSK	1	3	22.75	0.1884	25.72	0.3733
Middle		1	3	22.83	0.1919	25.80	0.3802
Highest		1	3	22.67	0.1849	25.64	0.3664
Lowest	16QAM	1	3	22.04	0.1600	25.01	0.3170
Middle		1	3	22.13	0.1633	25.10	0.3236
Highest		1	3	22.01	0.1589	24.98	0.3148
Limit	EIRP < 2W			Result		PASS	

LTE Band 2 / 3MHz (Average) (GT - LC = 2.97 dB)							
Channel	Mode	RB		Conducted		EIRP	
		Size	Offset	Power (dBm)	Power (Watts)	EIRP(dBm)	EIRP(W)
Lowest	QPSK	1	8	22.78	0.1897	25.75	0.3758
Middle		1	8	22.81	0.1910	25.78	0.3784
Highest		1	8	22.57	0.1807	25.54	0.3581
Lowest	16QAM	1	8	22.13	0.1633	25.10	0.3236
Middle		1	8	22.06	0.1607	25.03	0.3184
Highest		1	8	21.96	0.1570	24.93	0.3112
Limit	EIRP < 2W			Result		PASS	

LTE Band 2 / 5MHz (Average) (GT - LC = 2.97 dB)							
Channel	Mode	RB		Conducted		EIRP	
		Size	Offset	Power (dBm)	Power (Watts)	EIRP(dBm)	EIRP(W)
Lowest	QPSK	1	0	22.86	0.1932	25.83	0.3828
Middle		1	0	22.86	0.1932	25.83	0.3828
Highest		1	0	22.78	0.1897	25.75	0.3758
Lowest	16QAM	1	12	22.17	0.1648	25.14	0.3266
Middle		1	12	22.15	0.1641	25.12	0.3251
Highest		1	12	22.05	0.1603	25.02	0.3177
Limit	EIRP < 2W			Result		PASS	



LTE Band 2 / 10MHz (Average) (GT - LC = 2.97 dB)							
Channel	Mode	RB		Conducted		EIRP	
		Size	Offset	Power (dBm)	Power (Watts)	EIRP(dBm)	EIRP(W)
Lowest	QPSK	1	0	22.98	0.1986	25.95	0.3936
Middle		1	0	22.87	0.1936	25.84	0.3837
Highest		1	0	22.94	0.1968	25.91	0.3899
Lowest	16QAM	1	0	22.28	0.1690	25.25	0.3350
Middle		1	0	22.15	0.1641	25.12	0.3251
Highest		1	0	22.17	0.1648	25.14	0.3266
Limit	EIRP < 2W			Result		PASS	

LTE Band 2 / 15MHz (Average) (GT - LC = 2.97 dB)							
Channel	Mode	RB		Conducted		EIRP	
		Size	Offset	Power (dBm)	Power (Watts)	EIRP(dBm)	EIRP(W)
Lowest	QPSK	1	37	22.79	0.1901	25.76	0.3767
Middle		1	37	22.90	0.1950	25.87	0.3864
Highest		1	37	22.74	0.1879	25.71	0.3724
Lowest	16QAM	1	0	22.17	0.1648	25.14	0.3266
Middle		1	0	22.10	0.1622	25.07	0.3214
Highest		1	0	22.05	0.1603	25.02	0.3177
Limit	EIRP < 2W			Result		PASS	

LTE Band 2 / 20MHz (Average) (GT - LC = 2.97 dB)							
Channel	Mode	RB		Conducted		EIRP	
		Size	Offset	Power (dBm)	Power (Watts)	EIRP(dBm)	EIRP(W)
Lowest	QPSK	1	0	22.85	0.1928	25.82	0.3819
Middle		1	0	22.89	0.1945	25.86	0.3855
Highest		1	0	22.99	0.1991	25.96	0.3945
Lowest	16QAM	1	0	22.14	0.1637	25.11	0.3243
Middle		1	0	22.14	0.1637	25.11	0.3243
Highest		1	0	22.21	0.1663	25.18	0.3296
Limit	EIRP < 2W			Result		PASS	



LTE Band 25 / 1.4MHz (Average) (GT - LC = 2.99 dB)							
Channel	Mode	RB		Conducted		EIRP	
		Size	Offset	Power (dBm)	Power (Watts)	EIRP(dBm)	EIRP(W)
Lowest	QPSK	3	1	22.42	0.1746	25.41	0.3475
Middle		3	1	22.67	0.1849	25.66	0.3681
Highest		3	1	22.50	0.1778	25.49	0.3540
Lowest	16QAM	1	0	21.87	0.1538	24.86	0.3062
Middle		1	0	21.83	0.1524	24.82	0.3034
Highest		1	0	21.73	0.1489	24.72	0.2965
Limit	EIRP < 2W			Result		PASS	

LTE Band 25 / 3MHz (Average) (GT - LC = 2.99 dB)							
Channel	Mode	RB		Conducted		EIRP	
		Size	Offset	Power (dBm)	Power (Watts)	EIRP(dBm)	EIRP(W)
Lowest	QPSK	1	0	22.61	0.1824	25.60	0.3631
Middle		1	0	22.69	0.1858	25.68	0.3698
Highest		1	0	22.48	0.1770	25.47	0.3524
Lowest	16QAM	1	0	21.82	0.1521	24.81	0.3027
Middle		1	0	21.82	0.1521	24.81	0.3027
Highest		1	0	21.63	0.1455	24.62	0.2897
Limit	EIRP < 2W			Result		PASS	

LTE Band 25 / 5MHz (Average) (GT - LC = 2.99 dB)							
Channel	Mode	RB		Conducted		EIRP	
		Size	Offset	Power (dBm)	Power (Watts)	EIRP(dBm)	EIRP(W)
Lowest	QPSK	1	12	22.40	0.1738	25.39	0.3459
Middle		1	12	22.65	0.1841	25.64	0.3664
Highest		1	12	22.72	0.1871	25.71	0.3724
Lowest	16QAM	1	12	21.64	0.1459	24.63	0.2904
Middle		1	12	21.77	0.1503	24.76	0.2992
Highest		1	12	21.89	0.1545	24.88	0.3076
Limit	EIRP < 2W			Result		PASS	



LTE Band 25 / 10MHz (Average) (GT - LC = 2.99 dB)							
Channel	Mode	RB		Conducted		EIRP	
		Size	Offset	Power (dBm)	Power (Watts)	EIRP(dBm)	EIRP(W)
Lowest	QPSK	1	49	22.43	0.1750	25.42	0.3483
Middle		1	49	22.74	0.1879	25.73	0.3741
Highest		1	49	22.61	0.1824	25.60	0.3631
Lowest	16QAM	1	0	21.99	0.1581	24.98	0.3148
Middle		1	0	21.98	0.1578	24.97	0.3141
Highest		1	0	21.94	0.1563	24.93	0.3112
Limit	EIRP < 2W			Result		PASS	

LTE Band 25 / 15MHz (Average) (GT - LC = 2.99 dB)							
Channel	Mode	RB		Conducted		EIRP	
		Size	Offset	Power (dBm)	Power (Watts)	EIRP(dBm)	EIRP(W)
Lowest	QPSK	1	37	22.87	0.1936	25.86	0.3855
Middle		1	37	22.61	0.1824	25.60	0.3631
Highest		1	37	22.91	0.1954	25.90	0.3890
Lowest	16QAM	1	37	21.96	0.1570	24.95	0.3126
Middle		1	37	21.93	0.1560	24.92	0.3105
Highest		1	37	22.10	0.1622	25.09	0.3228
Limit	EIRP < 2W			Result		PASS	

LTE Band 25 / 20MHz (Average) (GT - LC = 2.99 dB)							
Channel	Mode	RB		Conducted		EIRP	
		Size	Offset	Power (dBm)	Power (Watts)	EIRP(dBm)	EIRP(W)
Lowest	QPSK	1	0	22.98	0.1986	25.97	0.3954
Middle		1	0	23.01	0.2000	26.00	0.3981
Highest		1	0	22.98	0.1986	25.97	0.3954
Lowest	16QAM	1	0	22.25	0.1679	25.24	0.3342
Middle		1	0	22.33	0.1710	25.32	0.3404
Highest		1	0	22.29	0.1694	25.28	0.3373
Limit	EIRP < 2W			Result		PASS	



LTE Band 4 / 1.4MHz (Average) (GT - LC = 2.94 dB)							
Channel	Mode	RB		Conducted		EIRP	
		Size	Offset	Power (dBm)	Power (Watts)	EIRP(dBm)	EIRP(W)
Lowest	QPSK	1	0	22.78	0.1897	25.72	0.3733
Middle		1	0	22.77	0.1892	25.71	0.3724
Highest		1	0	22.66	0.1845	25.60	0.3631
Lowest	16QAM	1	0	22.08	0.1614	25.02	0.3177
Middle		1	0	21.95	0.1567	24.89	0.3083
Highest		1	0	21.79	0.1510	24.73	0.2972
Limit	EIRP < 1W			Result		PASS	

LTE Band 4 / 3MHz (Average) (GT - LC = 2.94 dB)							
Channel	Mode	RB		Conducted		EIRP	
		Size	Offset	Power (dBm)	Power (Watts)	EIRP(dBm)	EIRP(W)
Lowest	QPSK	1	8	22.67	0.1849	25.61	0.3639
Middle		1	8	22.52	0.1786	25.46	0.3516
Highest		1	8	22.52	0.1786	25.46	0.3516
Lowest	16QAM	1	8	21.88	0.1542	24.82	0.3034
Middle		1	8	21.83	0.1524	24.77	0.2999
Highest		1	8	21.82	0.1521	24.76	0.2992
Limit	EIRP < 1W			Result		PASS	

LTE Band 4 / 5MHz (Average) (GT - LC = 2.94 dB)							
Channel	Mode	RB		Conducted		EIRP	
		Size	Offset	Power (dBm)	Power (Watts)	EIRP(dBm)	EIRP(W)
Lowest	QPSK	1	0	22.87	0.1936	25.81	0.3811
Middle		1	0	22.81	0.1910	25.75	0.3758
Highest		1	0	22.66	0.1845	25.60	0.3631
Lowest	16QAM	1	12	22.10	0.1622	25.04	0.3192
Middle		1	12	21.95	0.1567	24.89	0.3083
Highest		1	12	22.17	0.1648	25.11	0.3243
Limit	EIRP < 1W			Result		PASS	



LTE Band 4 / 10MHz (Average) (GT - LC = 2.94 dB)							
Channel	Mode	RB		Conducted		EIRP	
		Size	Offset	Power (dBm)	Power (Watts)	EIRP(dBm)	EIRP(W)
Lowest	QPSK	1	0	22.88	0.1941	25.82	0.3819
Middle		1	0	22.86	0.1932	25.80	0.3802
Highest		1	0	22.74	0.1879	25.68	0.3698
Lowest	16QAM	1	0	22.04	0.1600	24.98	0.3148
Middle		1	0	22.09	0.1618	25.03	0.3184
Highest		1	0	22.15	0.1641	25.09	0.3228
Limit	EIRP < 1W			Result		PASS	

LTE Band 4 / 15MHz (Average) (GT - LC = 2.94 dB)							
Channel	Mode	RB		Conducted		EIRP	
		Size	Offset	Power (dBm)	Power (Watts)	EIRP(dBm)	EIRP(W)
Lowest	QPSK	1	0	22.56	0.1803	25.50	0.3548
Middle		1	0	22.77	0.1892	25.71	0.3724
Highest		1	0	22.82	0.1914	25.76	0.3767
Lowest	16QAM	1	0	21.80	0.1514	24.74	0.2979
Middle		1	0	22.01	0.1589	24.95	0.3126
Highest		1	0	22.08	0.1614	25.02	0.3177
Limit	EIRP < 1W			Result		PASS	

LTE Band 4 / 20MHz (Average) (GT - LC = 2.94 dB)							
Channel	Mode	RB		Conducted		EIRP	
		Size	Offset	Power (dBm)	Power (Watts)	EIRP(dBm)	EIRP(W)
Lowest	QPSK	1	0	22.74	0.1879	25.68	0.3698
Middle		1	0	22.91	0.1954	25.85	0.3846
Highest		1	0	22.89	0.1945	25.83	0.3828
Lowest	16QAM	1	0	22.07	0.1611	25.01	0.3170
Middle		1	0	22.00	0.1585	24.94	0.3119
Highest		1	0	22.22	0.1667	25.16	0.3281
Limit	EIRP < 1W			Result		PASS	



LTE Band 5 / 1.4MHz (Average) (GT - LC = -0.42 dB)							
Channel	Mode	RB		Conducted		ERP	
		Size	Offset	Power (dBm)	Power (Watts)	ERP(dBm)	ERP(W)
Lowest	QPSK	1	3	22.47	0.1766	19.90	0.0977
Middle		1	3	22.57	0.1807	20.00	0.1000
Highest		1	3	22.51	0.1782	19.94	0.0986
Lowest	16QAM	1	5	21.76	0.1500	19.19	0.0830
Middle		1	5	21.91	0.1552	19.34	0.0859
Highest		1	5	21.72	0.1486	19.15	0.0822
Limit	ERP < 7W			Result		PASS	

LTE Band 5 / 3MHz (Average) (GT - LC = -0.42 dB)							
Channel	Mode	RB		Conducted		ERP	
		Size	Offset	Power (dBm)	Power (Watts)	ERP(dBm)	ERP(W)
Lowest	QPSK	1	8	22.36	0.1722	19.79	0.0953
Middle		1	8	22.55	0.1799	19.98	0.0995
Highest		1	8	22.51	0.1782	19.94	0.0986
Lowest	16QAM	1	14	21.32	0.1355	18.75	0.0750
Middle		1	14	21.52	0.1419	18.95	0.0785
Highest		1	14	21.37	0.1371	18.80	0.0759
Limit	ERP < 7W			Result		PASS	

LTE Band 5 / 5MHz (Average) (GT - LC = -0.42 dB)							
Channel	Mode	RB		Conducted		ERP	
		Size	Offset	Power (dBm)	Power (Watts)	ERP(dBm)	ERP(W)
Lowest	QPSK	1	0	22.54	0.1795	19.97	0.0993
Middle		1	0	22.54	0.1795	19.97	0.0993
Highest		1	0	22.49	0.1774	19.92	0.0982
Lowest	16QAM	1	12	21.81	0.1517	19.24	0.0839
Middle		1	12	21.86	0.1535	19.29	0.0849
Highest		1	12	21.80	0.1514	19.23	0.0838
Limit	ERP < 7W			Result		PASS	



LTE Band 5 / 10MHz (Average) (GT - LC = -0.42 dB)							
Channel	Mode	RB		Conducted		ERP	
		Size	Offset	Power (dBm)	Power (Watts)	ERP(dBm)	ERP(W)
Lowest	QPSK	1	0	22.66	0.1845	20.09	0.1021
Middle		1	0	22.69	0.1858	20.12	0.1028
Highest		1	0	22.68	0.1854	20.11	0.1026
Lowest	16QAM	1	0	21.90	0.1549	19.33	0.0857
Middle		1	0	21.76	0.1500	19.19	0.0830
Highest		1	0	21.80	0.1514	19.23	0.0838
Limit	ERP < 7W			Result		PASS	



LTE Band 7 / 5MHz (Average) (GT - LC = 2.9 dB)							
Channel	Mode	RB		Conducted		EIRP	
		Size	Offset	Power (dBm)	Power (Watts)	EIRP(dBm)	EIRP(W)
Lowest	QPSK	1.00	12.00	21.39	0.1377	24.29	0.2685
Middle		1.00	12.00	21.56	0.1432	24.46	0.2793
Highest		1.00	12.00	21.23	0.1327	24.13	0.2588
Lowest	16QAM	1.00	12.00	20.77	0.1194	23.67	0.2328
Middle		1.00	12.00	20.87	0.1222	23.77	0.2382
Highest		1.00	12.00	20.71	0.1178	23.61	0.2296
Limit	EIRP < 2W			Result		PASS	

LTE Band 7 / 10MHz (Average) (GT - LC = 2.9 dB)							
Channel	Mode	RB		Conducted		EIRP	
		Size	Offset	Power (dBm)	Power (Watts)	EIRP(dBm)	EIRP(W)
Lowest	QPSK	1.00	25	21.55	0.1429	24.45	0.2786
Middle		1.00	25	21.62	0.1452	24.52	0.2831
Highest		1.00	25	21.39	0.1377	24.29	0.2685
Lowest	16QAM	1.00	25	20.72	0.1180	23.62	0.2301
Middle		1.00	25	20.91	0.1233	23.81	0.2404
Highest		1.00	25	20.66	0.1164	23.56	0.2270
Limit	EIRP < 2W			Result		PASS	

LTE Band 7 / 15MHz (Average) (GT - LC = 2.9 dB)							
Channel	Mode	RB		Conducted		EIRP	
		Size	Offset	Power (dBm)	Power (Watts)	EIRP(dBm)	EIRP(W)
Lowest	QPSK	1.00	37.00	21.63	0.1455	24.53	0.2838
Middle		1.00	37.00	21.52	0.1419	24.42	0.2767
Highest		1.00	37.00	21.44	0.1393	24.34	0.2716
Lowest	16QAM	1.00	0.00	20.65	0.1161	23.55	0.2265
Middle		1.00	0.00	20.99	0.1256	23.89	0.2449
Highest		1.00	0.00	20.54	0.1132	23.44	0.2208
Limit	EIRP < 2W			Result		PASS	



LTE Band 7 / 20MHz (Average) (GT - LC = 2.9 dB)							
Channel	Mode	RB		Conducted		EIRP	
		Size	Offset	Power (dBm)	Power (Watts)	EIRP(dBm)	EIRP(W)
Lowest	QPSK	1.00	0.00	21.49	0.1409	24.39	0.2748
Middle		1.00	0.00	21.71	0.1483	24.61	0.2891
Highest		1.00	0.00	21.36	0.1368	24.26	0.2667
Lowest	16QAM	1.00	49.00	20.64	0.1159	23.54	0.2259
Middle		1.00	49.00	20.97	0.1250	23.87	0.2438
Highest		1.00	49.00	20.62	0.1153	23.52	0.2249
Limit	EIRP < 2W			Result		PASS	



LTE Band 12 / 1.4MHz (Average) (GT - LC = -2.57 dB)							
Channel	Mode	RB		Conducted		ERP	
		Size	Offset	Power (dBm)	Power (Watts)	ERP(dBm)	ERP(W)
Lowest	QPSK	1	0	22.85	0.1928	18.13	0.0650
Middle		1	0	22.97	0.1982	18.25	0.0668
Highest		1	0	22.72	0.1871	18.00	0.0631
Lowest	16QAM	1	3	22.18	0.1652	17.46	0.0557
Middle		1	3	22.32	0.1706	17.60	0.0575
Highest		1	3	22.18	0.1652	17.46	0.0557
Limit	ERP < 3W			Result		PASS	

LTE Band 12 / 3MHz (Average) (GT - LC = -2.57 dB)							
Channel	Mode	RB		Conducted		ERP	
		Size	Offset	Power (dBm)	Power (Watts)	ERP(dBm)	ERP(W)
Lowest	QPSK	1	8	22.97	0.1982	18.25	0.0668
Middle		1	8	23.05	0.2018	18.33	0.0681
Highest		1	8	22.84	0.1923	18.12	0.0649
Lowest	16QAM	1	8	22.19	0.1656	17.47	0.0558
Middle		1	8	22.33	0.1710	17.61	0.0577
Highest		1	8	22.08	0.1614	17.36	0.0545
Limit	ERP < 3W			Result		PASS	

LTE Band 12 / 5MHz (Average) (GT - LC = -2.57 dB)							
Channel	Mode	RB		Conducted		ERP	
		Size	Offset	Power (dBm)	Power (Watts)	ERP(dBm)	ERP(W)
Lowest	QPSK	1	12	23.05	0.2018	18.33	0.0681
Middle		1	12	22.99	0.1991	18.27	0.0671
Highest		1	12	22.91	0.1954	18.19	0.0659
Lowest	16QAM	1	0	22.13	0.1633	17.41	0.0551
Middle		1	0	22.47	0.1766	17.75	0.0596
Highest		1	0	22.01	0.1589	17.29	0.0536
Limit	ERP < 3W			Result		PASS	



LTE Band 12 / 10MHz (Average) (GT - LC = -2.57 dB)							
Channel	Mode	RB		Conducted		ERP	
		Size	Offset	Power (dBm)	Power (Watts)	ERP(dBm)	ERP(W)
Lowest	QPSK	1	0	23.16	0.2070	18.44	0.0698
Middle		1	0	23.18	0.2080	18.46	0.0701
Highest		1	0	23.11	0.2046	18.39	0.0690
Lowest	16QAM	1	25	22.38	0.1730	17.66	0.0583
Middle		1	25	22.36	0.1722	17.64	0.0581
Highest		1	25	22.28	0.1690	17.56	0.0570
Limit	ERP < 3W			Result		PASS	



LTE Band 13 / 5MHz (Average) (GT - LC = -2.28 dB)							
Channel	Mode	RB		Conducted		ERP	
		Size	Offset	Power (dBm)	Power (Watts)	ERP(dBm)	ERP(W)
Lowest	QPSK	1	24	22.73	0.1875	18.30	0.0676
Middle		1	24	22.54	0.1795	18.11	0.0647
Highest		1	24	22.82	0.1914	18.39	0.0690
Lowest	16QAM	1	12	22.09	0.1618	17.66	0.0583
Middle		1	12	21.92	0.1556	17.49	0.0561
Highest		1	12	22.02	0.1592	17.59	0.0574
Limit	ERP < 3W			Result		PASS	

LTE Band 13 / 10MHz (Average) (GT - LC = -2.28 dB)							
Channel	Mode	RB		Conducted		ERP	
		Size	Offset	Power (dBm)	Power (Watts)	ERP(dBm)	ERP(W)
Lowest	QPSK	-	-	-	-	-	-
Middle		1	0	22.88	0.1941	18.45	0.0700
Highest		-	-	-	-	-	-
Lowest	16QAM	-	-	-	-	-	-
Middle		1	25	22.12	0.1629	17.69	0.0587
Highest		-	-	-	-	-	-
Limit	ERP < 3W			Result		PASS	



LTE Band 41 / 5MHz (Average) (GT - LC = 2.36 dB)							
Channel	Mode	RB		Conducted		EIRP	
		Size	Offset	Power (dBm)	Power (Watts)	EIRP(dBm)	EIRP(W)
Lowest	QPSK	1.00	12.00	21.46	0.1400	23.82	0.2410
Middle		1.00	12.00	21.15	0.1303	23.51	0.2244
Highest		1.00	12.00	21.21	0.1321	23.57	0.2275
Lowest	16QAM	1.00	12.00	20.76	0.1191	23.12	0.2051
Middle		1.00	12.00	20.31	0.1074	22.67	0.1849
Highest		1.00	12.00	20.61	0.1151	22.97	0.1982
Limit	EIRP < 2W			Result		PASS	

LTE Band 41 / 10MHz (Average) (GT - LC = 2.36 dB)							
Channel	Mode	RB		Conducted		EIRP	
		Size	Offset	Power (dBm)	Power (Watts)	EIRP(dBm)	EIRP(W)
Lowest	QPSK	1.00	25	21.73	0.1489	24.09	0.2564
Middle		1.00	25	21.29	0.1346	23.65	0.2317
Highest		1.00	25	21.25	0.1334	23.61	0.2296
Lowest	16QAM	1.00	0.00	20.71	0.1178	23.07	0.2028
Middle		1.00	0.00	20.30	0.1072	22.66	0.1845
Highest		1.00	0.00	20.46	0.1112	22.82	0.1914
Limit	EIRP < 2W			Result		PASS	

LTE Band 41 / 15MHz (Average) (GT - LC = 2.36 dB)							
Channel	Mode	RB		Conducted		EIRP	
		Size	Offset	Power (dBm)	Power (Watts)	EIRP(dBm)	EIRP(W)
Lowest	QPSK	1.00	37.00	21.67	0.1469	24.03	0.2529
Middle		1.00	37.00	21.39	0.1377	23.75	0.2371
Highest		1.00	37.00	21.70	0.1479	24.06	0.2547
Lowest	16QAM	1.00	37.00	20.51	0.1125	22.87	0.1936
Middle		1.00	37.00	20.36	0.1086	22.72	0.1871
Highest		1.00	37.00	20.55	0.1135	22.91	0.1954
Limit	EIRP < 2W			Result		PASS	



LTE Band 41 / 20MHz (Average) (GT - LC = 2.36 dB)							
Channel	Mode	RB		Conducted		EIRP	
		Size	Offset	Power (dBm)	Power (Watts)	EIRP(dBm)	EIRP(W)
Lowest	QPSK	1.00	0.00	21.52	0.1419	23.88	0.2443
Middle		1.00	0.00	21.63	0.1455	23.99	0.2506
Highest		1.00	0.00	21.57	0.1435	23.93	0.2472
Lowest	16QAM	1.00	0.00	20.63	0.1156	22.99	0.1991
Middle		1.00	0.00	20.52	0.1127	22.88	0.1941
Highest		1.00	0.00	20.88	0.1225	23.24	0.2109
Limit	EIRP < 2W			Result		PASS	



LTE Band 26 / 1.4MHz (Average) (GT - LC = -0.4 dB)							
Channel	Mode	RB		Conducted		ERP	
		Size	Offset	Power (dBm)	Power (Watts)	ERP(dBm)	ERP(W)
Lowest	QPSK	1	5	22.92	0.1957	20.37	0.1088
Middle		1	5	22.58	0.1810	20.03	0.1006
Highest		1	5	22.86	0.1930	20.31	0.1073
Lowest	16QAM	1	3	22.23	0.1670	19.68	0.0928
Middle		1	3	22.00	0.1583	19.45	0.0880
Highest		1	3	22.09	0.1617	19.54	0.0899
Limit	ERP < 7W			Result		PASS	

LTE Band 26 / 3MHz (Average) (GT - LC = -0.4 dB)							
Channel	Mode	RB		Conducted		ERP	
		Size	Offset	Power (dBm)	Power (Watts)	ERP(dBm)	ERP(W)
Lowest	QPSK	1	8	22.92	0.1957	20.37	0.1088
Middle		1	8	22.69	0.1856	20.14	0.1032
Highest		1	8	22.95	0.1971	20.40	0.1095
Lowest	16QAM	1	8	22.19	0.1654	19.64	0.0920
Middle		1	8	22.01	0.1587	19.46	0.0882
Highest		1	8	22.19	0.1654	19.64	0.0920
Limit	ERP < 7W			Result		PASS	

LTE Band 26 / 5MHz (Average) (GT - LC = -0.4 dB)							
Channel	Mode	RB		Conducted		ERP	
		Size	Offset	Power (dBm)	Power (Watts)	ERP(dBm)	ERP(W)
Lowest	QPSK	1	0	22.89	0.1944	20.34	0.1080
Middle		1	0	22.78	0.1895	20.23	0.1053
Highest		1	0	22.82	0.1912	20.27	0.1063
Lowest	16QAM	1	0	22.20	0.1658	19.65	0.0922
Middle		1	0	22.01	0.1587	19.46	0.0882
Highest		1	0	22.11	0.1624	19.56	0.0903
Limit	ERP < 7W			Result		PASS	



LTE Band 26 / 10MHz (Average) (GT - LC = -0.4 dB)							
Channel	Mode	RB		Conducted		ERP	
		Size	Offset	Power (dBm)	Power (Watts)	ERP(dBm)	ERP(W)
Lowest	QPSK	1	0	23.00	0.1993	20.45	0.1108
Middle		1	0	22.75	0.1882	20.20	0.1046
Highest		1	0	22.80	0.1904	20.25	0.1058
Lowest	16QAM	1	0	22.38	0.1728	19.83	0.0961
Middle		1	0	22.06	0.1605	19.51	0.0892
Highest		1	0	22.09	0.1617	19.54	0.0899
Limit	ERP < 7W			Result		PASS	

LTE Band 26 / 15MHz (Average) (GT - LC = -0.4 dB)							
Channel	Mode	RB		Conducted		ERP	
		Size	Offset	Power (dBm)	Power (Watts)	ERP(dBm)	ERP(W)
Lowest	QPSK	1	0	23.04	0.2012	20.49	0.1118
Middle		1	0	23.06	0.2021	20.51	0.1124
Highest		1	0	23.05	0.2017	20.50	0.1121
Lowest	16QAM	1	74	22.07	0.1609	19.52	0.0895
Middle		1	74	22.18	0.1650	19.63	0.0917
Highest		1	74	22.29	0.1693	19.74	0.0941
Limit	ERP < 7W			Result		PASS	



Radiated Spurious Emission

LTE Band 2

LTE Band 2 / 1.4MHz / QPSK									
Channel	Frequency (MHz)	EIRP (dBm)	Limit (dBm)	Over Limit (dB)	SPA Reading (dBm)	S.G. Power (dBm)	TX Cable loss (dB)	TX Antenna Gain (dBi)	Polarization (H/V)
Lowest	3702	-64.31	-13	-51.31	-59.88	-70.88	1.67	8.24	H
	5552	-62.48	-13	-49.48	-65.06	-69.55	2.65	9.72	H
	7402	-63.22	-13	-50.22	-67.25	-72.36	2.46	11.60	H
									H
									H
									H
	3702	-63.45	-13	-50.45	-58.21	-70.02	1.67	8.24	V
	5552	-62.62	-13	-49.62	-65.24	-69.69	2.65	9.72	V
	7402	-62.91	-13	-49.91	-67.15	-72.05	2.46	11.60	V
									V
									V
									V
Middle	3762	-64.48	-13	-51.48	-60.12	-71.11	1.69	8.31	H
	5636	-63.04	-13	-50.04	-65.89	-70.09	2.70	9.75	H
	7520	-63.66	-13	-50.66	-67.57	-73.05	2.42	11.81	H
									H
									H
									H
	3762	-62.42	-13	-49.42	-58.46	-69.05	1.69	8.31	V
	5636	-62.96	-13	-49.96	-65.85	-70.01	2.70	9.75	V
	7520	-63.16	-13	-50.16	-67.58	-72.55	2.42	11.81	V
									V
									V
									V



Highest	3816	-64.71	-13	-51.71	-60.35	-71.39	1.70	8.38	H
	5727	-62.62	-13	-49.62	-65.94	-69.66	2.76	9.79	H
	7637	-62.91	-13	-49.91	-67.48	-72.41	2.39	11.88	H
									H
									H
									H
									H
	3816	-61.54	-13	-48.54	-57.15	-68.22	1.70	8.38	V
	5727	-62.48	-13	-49.48	-66	-69.52	2.76	9.79	V
	7637	-62.83	-13	-49.83	-67.59	-72.33	2.39	11.88	V
									V
									V
									V
									V

Remark: Spurious emissions within 30-1000MHz were found more than 20dB below limit line.



LTE Band 2 / 3MHz / QPSK									
Channel	Frequency (MHz)	EIRP (dBm)	Limit (dBm)	Over Limit (dB)	SPA Reading (dBm)	S.G. Power (dBm)	TX Cable loss (dB)	TX Antenna Gain (dBi)	Polarization (H/V)
Lowest	3702	-64.02	-13	-51.02	-59.76	-70.59	1.67	8.24	H
	5554	-62.94	-13	-49.94	-65.43	-70.01	2.66	9.72	H
	7406	-63.04	-13	-50.04	-67.18	-72.19	2.46	11.61	H
									H
									H
									H
									H
	3702	-62.62	-13	-49.62	-58.35	-69.19	1.67	8.24	V
	5554	-62.94	-13	-49.94	-65.38	-70.01	2.66	9.72	V
	7406	-61.85	-13	-48.85	-66.92	-71	2.46	11.61	V
									V
									V
									V
									V
Middle	3762	-64.78	-13	-51.78	-60.44	-71.41	1.69	8.31	H
	5636	-62.96	-13	-49.96	-65.82	-70.01	2.70	9.75	H
	7520	-63.42	-13	-50.42	-67.6	-72.81	2.42	11.81	H
									H
									H
									H
									H
	3762	-64.78	-13	-51.78	-60.39	-71.41	1.69	8.31	V
	5636	-62.99	-13	-49.99	-65.86	-70.04	2.70	9.75	V
	7520	-63.32	-13	-50.32	-67.64	-72.71	2.42	11.81	V
									V
									V
									V
									V
								V	



Highest	3816	-64.33	-13	-51.33	-59.91	-71.01	1.70	8.38	H
	5725	-62.52	-13	-49.52	-65.91	-69.56	2.75	9.79	H
	7634	-63.06	-13	-50.06	-67.56	-72.55	2.39	11.88	H
									H
									H
									H
									H
	3816	-62.43	-13	-49.43	-58	-69.11	1.70	8.38	V
	5725	-62.47	-13	-49.47	-65.92	-69.51	2.75	9.79	V
	7634	-63.03	-13	-50.03	-67.84	-72.52	2.39	11.88	V
									V
									V
									V
									V

Remark: Spurious emissions within 30-1000MHz were found more than 20dB below limit line.



LTE Band 2 / 5MHz / QPSK									
Channel	Frequency (MHz)	EIRP (dBm)	Limit (dBm)	Over Limit (dB)	SPA Reading (dBm)	S.G. Power (dBm)	TX Cable loss (dB)	TX Antenna Gain (dBi)	Polarization (H/V)
Lowest	3708	-64.64	-13	-51.64	-60.4	-71.22	1.67	8.25	H
	5557	-62.96	-13	-49.96	-65.32	-70.02	2.66	9.72	H
	7410	-63.25	-13	-50.25	-67.28	-72.41	2.46	11.62	H
									H
									H
									H
									H
	3708	-64.54	-13	-51.54	-60.29	-71.12	1.67	8.25	V
	5557	-62.82	-13	-49.82	-65.31	-69.88	2.66	9.72	V
	7410	-63.12	-13	-50.12	-67.37	-72.28	2.46	11.62	V
									V
									V
									V
									V
Middle	3762	-64.96	-13	-51.96	-60.56	-71.59	1.69	8.31	H
	5636	-63.01	-13	-50.01	-65.75	-70.06	2.70	9.75	H
	7520	-63.37	-13	-50.37	-67.5	-72.76	2.42	11.81	H
									H
									H
									H
									H
	3762	-64.59	-13	-51.59	-60.3	-71.22	1.69	8.31	V
	5636	-63.06	-13	-50.06	-65.7	-70.11	2.70	9.75	V
	7520	-63.29	-13	-50.29	-67.65	-72.68	2.42	11.81	V
									V
									V
									V
									V
								V	



Highest	3816	-65.13	-13	-52.13	-60.56	-71.81	1.70	8.38	H
	5722	-62.48	-13	-49.48	-65.74	-69.52	2.75	9.79	H
	7630	-63.32	-13	-50.32	-67.83	-72.81	2.39	11.88	H
									H
									H
									H
									H
	3816	-65.13	-13	-52.13	-60.74	-71.81	1.70	8.38	V
	5722	-62.55	-13	-49.55	-65.85	-69.59	2.75	9.79	V
	7630	-62.82	-13	-49.82	-67.6	-72.31	2.39	11.88	V
									V
									V
									V
									V

Remark: Spurious emissions within 30-1000MHz were found more than 20dB below limit line.



LTE Band 2 / 10MHz / QPSK									
Channel	Frequency (MHz)	EIRP (dBm)	Limit (dBm)	Over Limit (dB)	SPA Reading (dBm)	S.G. Power (dBm)	TX Cable loss (dB)	TX Antenna Gain (dBi)	Polarization (H/V)
Lowest	3702	-64.67	-13	-51.67	-60.17	-71.24	1.67	8.24	H
	5550	-62.36	-13	-49.36	-64.73	-69.43	2.65	9.72	H
	7400	-63.45	-13	-50.45	-67.34	-72.59	2.46	11.60	H
									H
									H
									H
									H
	3702	-62.57	-13	-49.57	-58.12	-69.14	1.67	8.24	V
	5550	-62.36	-13	-49.36	-64.7	-69.43	2.65	9.72	V
	7400	-62.98	-13	-49.98	-67.14	-72.12	2.46	11.60	V
									V
									V
									V
									V
Middle	3750	-64.22	-13	-51.22	-59.64	-70.84	1.68	8.30	H
	5625	-62.79	-13	-49.79	-65.49	-69.84	2.70	9.75	H
	7500	-63.58	-13	-50.58	-67.41	-72.95	2.43	11.80	H
									H
									H
									H
									H
	3750	-61.46	-13	-48.46	-56.95	-68.08	1.68	8.30	V
	5625	-62.83	-13	-49.83	-65.51	-69.88	2.70	9.75	V
	7500	-63.37	-13	-50.37	-67.41	-72.74	2.43	11.80	V
									V
									V
									V
									V



Highest	3804	-64.81	-13	-51.81	-60.16	-71.48	1.70	8.36	H
	5700	-62.48	-13	-49.48	-65.55	-69.52	2.74	9.78	H
	7600	-63.22	-13	-50.22	-67.46	-72.68	2.40	11.86	H
									H
									H
									H
									H
	3804	-62.63	-13	-49.63	-58.08	-69.3	1.70	8.36	V
	5700	-62.42	-13	-49.42	-65.47	-69.46	2.74	9.78	V
	7600	-62.87	-13	-49.87	-67.31	-72.33	2.40	11.86	V
									V
									V
									V
									V

Remark: Spurious emissions within 30-1000MHz were found more than 20dB below limit line.



LTE Band 2 / 15MHz / QPSK									
Channel	Frequency (MHz)	EIRP (dBm)	Limit (dBm)	Over Limit (dB)	SPA Reading (dBm)	S.G. Power (dBm)	TX Cable loss (dB)	TX Antenna Gain (dBi)	Polarization (H/V)
Lowest	3702	-64.71	-13	-51.71	-60.22	-71.28	1.67	8.24	H
	5550	-62.87	-13	-49.87	-65.29	-69.94	2.65	9.72	H
	7400	-63.59	-13	-50.59	-67.55	-72.73	2.46	11.60	H
									H
									H
									H
									H
	3702	-62.74	-13	-49.74	-58.28	-69.31	1.67	8.24	V
	5550	-63.04	-13	-50.04	-65.44	-70.11	2.65	9.72	V
	7400	-62.58	-13	-49.58	-67.68	-71.72	2.46	11.60	V
									V
									V
									V
									V
Middle	3745	-64.68	-13	-51.68	-60.23	-71.29	1.68	8.29	H
	5617	-63.04	-13	-50.04	-65.83	-70.09	2.69	9.75	H
	7490	-63.73	-13	-50.73	-67.57	-73.08	2.43	11.78	H
									H
									H
									H
									H
	3745	-62.24	-13	-49.24	-57.74	-68.85	1.68	8.29	V
	5617	-62.98	-13	-49.98	-65.7	-70.03	2.69	9.75	V
	7490	-63.66	-13	-50.66	-67.75	-73.01	2.43	11.78	V
									V
									V
									V
									V



Highest	3792	-65.27	-13	-52.27	-60.68	-71.92	1.70	8.35	H
	5685	-62.83	-13	-49.83	-65.8	-69.87	2.73	9.77	H
	7580	-63.19	-13	-50.19	-67.34	-72.63	2.40	11.85	H
									H
									H
									H
									H
	3792	-63.84	-13	-50.84	-59.26	-70.49	1.70	8.35	V
	5685	-62.46	-13	-49.46	-65.52	-69.5	2.73	9.77	V
	7580	-63.33	-13	-50.33	-67.64	-72.77	2.40	11.85	V
									V
									V
									V
									V

Remark: Spurious emissions within 30-1000MHz were found more than 20dB below limit line.



LTE Band 2 / 20MHz / QPSK									
Channel	Frequency (MHz)	EIRP (dBm)	Limit (dBm)	Over Limit (dB)	SPA Reading (dBm)	S.G. Power (dBm)	TX Cable loss (dB)	TX Antenna Gain (dBi)	Polarization (H/V)
Lowest	3702	-64.35	-13	-51.35	-59.91	-70.92	1.67	8.24	H
	5550	-62.98	-13	-49.98	-65.41	-70.05	2.65	9.72	H
	7400	-63.59	-13	-50.59	-67.51	-72.73	2.46	11.60	H
									H
									H
									H
									H
	3702	-62.97	-13	-49.97	-58.59	-69.54	1.67	8.24	V
	5550	-62.96	-13	-49.96	-65.38	-70.03	2.65	9.72	V
	7400	-63.04	-13	-50.04	-67.22	-72.18	2.46	11.60	V
									V
									V
									V
									V
Middle	3762	-65.06	-13	-52.06	-60.69	-71.69	1.69	8.31	H
	5636	-63.07	-13	-50.07	-66.01	-70.12	2.70	9.75	H
	7520	-63.49	-13	-50.49	-67.6	-72.88	2.42	11.81	H
									H
									H
									H
									H
	3762	-64.59	-13	-51.59	-60.11	-71.22	1.69	8.31	V
	5636	-63.24	-13	-50.24	-66.04	-70.29	2.70	9.75	V
	7520	-63.66	-13	-50.66	-67.87	-73.05	2.42	11.81	V
									V
									V
									V
									V



Highest	3798	-65.03	-13	-52.03	-60.65	-71.69	1.70	8.36	H
	5700	-62.47	-13	-49.47	-65.67	-69.51	2.74	9.78	H
	7600	-63.59	-13	-50.59	-67.83	-73.05	2.40	11.86	H
									H
									H
									H
									H
	3798	-65.03	-13	-52.03	-60.72	-71.69	1.70	8.36	V
	5700	-62.47	-13	-49.47	-65.71	-69.51	2.74	9.78	V
	7600	-63.13	-13	-50.13	-67.73	-72.59	2.40	11.86	V
									V
									V
									V
									V

Remark: Spurious emissions within 30-1000MHz were found more than 20dB below limit line.



LTE Band 25

LTE Band 25 / 1.4MHz / QPSK									
Channel	Frequency (MHz)	EIRP (dBm)	Limit (dBm)	Over Limit (dB)	SPA Reading (dBm)	S.G. Power (dBm)	TX Cable loss (dB)	TX Antenna Gain (dBi)	Polarization (H/V)
Lowest	3700	-64.23	-13	-51.23	-60.07	-70.8	1.67	8.24	H
	5550	-63.05	-13	-50.05	-64.74	-70.12	2.65	9.72	H
	7400	-63.05	-13	-50.05	-67.25	-72.19	2.46	11.60	H
									H
									H
									H
									H
	3700	-62.01	-13	-49.01	-57.84	-68.58	1.67	8.24	V
	5550	-62.50	-13	-49.50	-65.16	-69.57	2.65	9.72	V
	7400	-62.76	-13	-49.76	-67.16	-71.9	2.46	11.60	V
									V
									V
									V
									V
Middle	3756	-64.66	-13	-51.66	-60.04	-71.28	1.68	8.31	H
	5638	-63.17	-13	-50.17	-65.95	-70.22	2.70	9.76	H
	7517	-63.74	-13	-50.74	-67.55	-73.13	2.42	11.81	H
									H
									H
									H
									H
	3756	-64.41	-13	-51.41	-59.84	-71.03	1.68	8.31	V
	5638	-62.88	-13	-49.88	-65.71	-69.93	2.70	9.76	V
	7517	-63.29	-13	-50.29	-67.47	-72.68	2.42	11.81	V
									V
									V
									V
									V



Highest	3827	-64.33	-13	-51.33	-59.99	-71.02	1.71	8.39	H
	5741	-62.61	-13	-49.61	-66.22	-69.64	2.76	9.80	H
	7654	-62.61	-13	-49.61	-67.29	-72.12	2.38	11.89	H
									H
									H
									H
									H
	3827	-63.73	-13	-50.73	-59.46	-70.42	1.71	8.39	V
	5741	-62.52	-13	-49.52	-66.12	-69.55	2.76	9.80	V
	7654	-62.72	-13	-49.72	-67.67	-72.23	2.38	11.89	V
									V
									V
									V
									V

Remark: Spurious emissions within 30-1000MHz were found more than 20dB below limit line.



LTE Band 25 / 3MHz / QPSK									
Channel	Frequency (MHz)	EIRP (dBm)	Limit (dBm)	Over Limit (dB)	SPA Reading (dBm)	S.G. Power (dBm)	TX Cable loss (dB)	TX Antenna Gain (dBi)	Polarization (H/V)
Lowest	3700	-63.90	-13	-50.90	-59.74	-70.47	1.67	8.24	H
	5550	-62.53	-13	-49.53	-65.22	-69.6	2.65	9.72	H
	7400	-63.05	-13	-50.05	-67.25	-72.19	2.46	11.60	H
									H
									H
									H
									H
	3700	-61.98	-13	-48.98	-57.81	-68.55	1.67	8.24	V
	5550	-62.69	-13	-49.69	-65.35	-69.76	2.65	9.72	V
	7400	-62.83	-13	-49.83	-67.23	-71.97	2.46	11.60	V
									V
									V
									V
									V
Middle	3750	-64.33	-13	-51.33	-60.09	-70.95	1.68	8.30	H
	5625	-62.60	-13	-49.60	-65.62	-69.65	2.70	9.75	H
	7500	-63.61	-13	-50.61	-67.74	-72.98	2.43	11.80	H
									H
									H
									H
									H
	3750	-64.15	-13	-51.15	-59.93	-70.77	1.68	8.30	V
	5625	-62.85	-13	-49.85	-65.86	-69.9	2.70	9.75	V
	7500	-63.36	-13	-50.36	-67.73	-72.73	2.43	11.80	V
									V
									V
									V
									V



Highest	3824	-65.81	-13	-52.81	-60.47	-72.49	1.71	8.39	H
	11472	-59.48	-13	-46.48	-71.97	-69.11	2.68	12.31	H
	17208	-59.34	-13	-46.34	-74.68	-68.87	3.85	13.38	H
									H
									H
									H
									H
	3824	-63.00	-13	-50.00	-58.73	-69.68	1.71	8.39	V
	11472	-56.78	-13	-43.78	-69.25	-66.41	2.68	12.31	V
	17208	-54.44	-13	-41.44	-70.98	-63.97	3.85	13.38	V
									V
									V
									V
									V

Remark: Spurious emissions within 30-1000MHz were found more than 20dB below limit line.



LTE Band 25 / 5MHz / QPSK									
Channel	Frequency (MHz)	EIRP (dBm)	Limit (dBm)	Over Limit (dB)	SPA Reading (dBm)	S.G. Power (dBm)	TX Cable loss (dB)	TX Antenna Gain (dBi)	Polarization (H/V)
Lowest	3700	-64.22	-13	-51.22	-60.06	-70.79	1.67	8.24	H
	5550	-62.69	-13	-49.69	-65.38	-69.76	2.65	9.72	H
	7400	-63.16	-13	-50.16	-67.36	-72.3	2.46	11.60	H
									H
									H
									H
									H
	3700	-62.19	-13	-49.19	-58.02	-68.76	1.67	8.24	V
	5550	-62.73	-13	-49.73	-65.39	-69.8	2.65	9.72	V
	7400	-62.82	-13	-49.82	-67.22	-71.96	2.46	11.60	V
									V
									V
									V
									V
Middle	3760	-64.48	-13	-51.48	-60.24	-71.11	1.69	8.31	H
	5640	-62.39	-13	-49.39	-65.5	-69.44	2.71	9.76	H
	7520	-63.24	-13	-50.24	-67.49	-72.63	2.42	11.81	H
									H
									H
									H
									H
	3760	-64.56	-13	-51.56	-60.34	-71.19	1.69	8.31	V
	5640	-62.78	-13	-49.78	-65.87	-69.83	2.71	9.76	V
	7520	-63.07	-13	-50.07	-67.57	-72.46	2.42	11.81	V
									V
									V
									V
									V



Highest	3820	-64.44	-13	-51.44	-60.1	-71.12	1.70	8.38	H
	11460	-59.31	-13	-46.31	-71.74	-68.94	2.68	12.32	H
	17190	-58.50	-13	-45.50	-74.82	-67.98	3.85	13.33	H
									H
									H
									H
									H
	3820	-61.99	-13	-48.99	-57.72	-68.67	1.70	8.38	V
	11460	-56.45	-13	-43.45	-68.85	-66.08	2.68	12.32	V
	17190	-54.64	-13	-41.64	-71.15	-64.12	3.85	13.33	V
									V
									V
									V
									V

Remark: Spurious emissions within 30-1000MHz were found more than 20dB below limit line.



LTE Band 25 / 10MHz / QPSK									
Channel	Frequency (MHz)	EIRP (dBm)	Limit (dBm)	Over Limit (dB)	SPA Reading (dBm)	S.G. Power (dBm)	TX Cable loss (dB)	TX Antenna Gain (dBi)	Polarization (H/V)
Lowest	3700	-64.08	-13	-51.08	-59.92	-70.65	1.67	8.24	H
	5550	-62.26	-13	-49.26	-64.95	-69.33	2.65	9.72	H
	7400	-62.71	-13	-49.71	-66.91	-71.85	2.46	11.60	H
									H
									H
									H
									H
	3700	-62.23	-13	-49.23	-58.06	-68.8	1.67	8.24	V
	5550	-62.42	-13	-49.42	-65.08	-69.49	2.65	9.72	V
	7400	-62.47	-13	-49.47	-66.87	-71.61	2.46	11.60	V
									V
									V
									V
									V
Middle	3750	-64.38	-13	-51.38	-60.14	-71	1.68	8.30	H
	5625	-62.70	-13	-49.70	-65.72	-69.75	2.70	9.75	H
	7500	-63.46	-13	-50.46	-67.59	-72.83	2.43	11.80	H
									H
									H
									H
									H
	3750	-62.38	-13	-49.38	-58.16	-69	1.68	8.30	V
	5625	-62.68	-13	-49.68	-65.69	-69.73	2.70	9.75	V
	7500	-63.40	-13	-50.40	-67.77	-72.77	2.43	11.80	V
									V
									V
									V
									V



Highest	3810	-64.02	-13	-51.02	-59.71	-70.69	1.70	8.37	H
	5715	-62.31	-13	-49.31	-65.75	-69.35	2.75	9.79	H
	17145	-59.51	-13	-46.51	-75.78	-68.86	3.86	13.21	H
									H
									H
									H
									H
	3810	-61.81	-13	-48.81	-57.55	-68.48	1.70	8.37	V
	5715	-62.20	-13	-49.20	-65.64	-69.24	2.75	9.79	V
	17145	-53.68	-13	-40.68	-70.14	-63.03	3.86	13.21	V
									V
									V
									V
									V

Remark: Spurious emissions within 30-1000MHz were found more than 20dB below limit line.



LTE Band 25 / 15MHz / QPSK									
Channel	Frequency (MHz)	EIRP (dBm)	Limit (dBm)	Over Limit (dB)	SPA Reading (dBm)	S.G. Power (dBm)	TX Cable loss (dB)	TX Antenna Gain (dBi)	Polarization (H/V)
Lowest	3702	-64.36	-13	-51.36	-59.87	-70.93	1.67	8.24	H
	5550	-62.86	-13	-49.86	-65.23	-69.93	2.65	9.72	H
	7400	-63.42	-13	-50.42	-67.34	-72.56	2.46	11.60	H
									H
									H
									H
									H
	3702	-64.33	-13	-51.33	-59.87	-70.9	1.67	8.24	V
	5550	-62.97	-13	-49.97	-65.32	-70.04	2.65	9.72	V
	7400	-62.84	-13	-49.84	-66.92	-71.98	2.46	11.60	V
									V
									V
									V
									V
Middle	3744	-64.63	-13	-51.63	-60.15	-71.24	1.68	8.29	H
	5618	-62.97	-13	-49.97	-65.77	-70.02	2.69	9.75	H
	7490	-63.76	-13	-50.76	-67.62	-73.11	2.43	11.78	H
									H
									H
									H
									H
	3744	-63.28	-13	-50.28	-58.74	-69.89	1.68	8.29	V
	5618	-62.87	-13	-49.87	-65.62	-69.92	2.69	9.75	V
	7490	-63.58	-13	-50.58	-67.65	-72.93	2.43	11.78	V
									V
									V
									V
									V



Highest	3798	-65.08	-13	-52.08	-60.48	-71.74	1.70	8.36	H
	5700	-62.32	-13	-49.32	-65.39	-69.36	2.74	9.78	H
	7600	-63.22	-13	-50.22	-67.4	-72.68	2.40	11.86	H
									H
									H
									H
									H
	3798	-64.77	-13	-51.77	-60.25	-71.43	1.70	8.36	V
	5700	-62.49	-13	-49.49	-65.53	-69.53	2.74	9.78	V
	7600	-63.02	-13	-50.02	-67.57	-72.48	2.40	11.86	V
									V
									V
									V
									V

Remark: Spurious emissions within 30-1000MHz were found more than 20dB below limit line.



LTE Band 25 / 20MHz / QPSK									
Channel	Frequency (MHz)	EIRP (dBm)	Limit (dBm)	Over Limit (dB)	SPA Reading (dBm)	S.G. Power (dBm)	TX Cable loss (dB)	TX Antenna Gain (dBi)	Polarization (H/V)
Lowest	3702	-64.68	-13	-51.68	-60.19	-71.25	1.67	8.24	H
	5550	-63.17	-13	-50.17	-65.58	-70.24	2.65	9.72	H
	7400	-63.39	-13	-50.39	-67.34	-72.53	2.46	11.60	H
									H
									H
									H
									H
	3702	-64.38	-13	-51.38	-59.85	-70.95	1.67	8.24	V
	5550	-62.81	-13	-49.81	-65.17	-69.88	2.65	9.72	V
	7400	-62.96	-13	-49.96	-67.12	-72.1	2.46	11.60	V
									V
									V
									V
									V
Middle	3738	-64.71	-13	-51.71	-60.22	-71.32	1.68	8.29	H
	5610	-62.89	-13	-49.89	-65.59	-69.95	2.69	9.74	H
	7480	-63.82	-13	-50.82	-67.72	-73.14	2.44	11.76	H
									H
									H
									H
									H
	3738	-62.58	-13	-49.58	-58.12	-69.19	1.68	8.29	V
	5610	-62.72	-13	-49.72	-65.36	-69.78	2.69	9.74	V
	7480	-63.69	-13	-50.69	-67.64	-73.01	2.44	11.76	V
									V
									V
									V
									V



Highest	3792	-64.88	-13	-51.88	-60.34	-71.53	1.70	8.35	H
	5685	-62.43	-13	-49.43	-65.5	-69.47	2.73	9.77	H
	11373	-57.78	-13	-44.78	-69.62	-67.45	2.68	12.35	H
									H
									H
									H
									H
	3792	-64.98	-13	-51.98	-60.51	-71.63	1.70	8.35	V
	5685	-62.28	-13	-49.28	-65.27	-69.32	2.73	9.77	V
	11373	-57.84	-13	-44.84	-69.54	-67.51	2.68	12.35	V
									V
									V
									V
									V

Remark: Spurious emissions within 30-1000MHz were found more than 20dB below limit line.



LTE Band 4

LTE Band 4 / 1.4MHz / QPSK									
Channel	Frequency (MHz)	EIRP (dBm)	Limit (dBm)	Over Limit (dB)	SPA Reading (dBm)	S.G. Power (dBm)	TX Cable loss (dB)	TX Antenna Gain (dBi)	Polarization (H/V)
Lowest	3420	-56.39	-13	-43.39	-52.16	-62.46	1.58	7.65	H
	5132	-63.04	-13	-50.04	-63.57	-70.33	2.41	9.70	H
	6842	-62.91	-13	-49.91	-67.48	-70.88	2.64	10.61	H
									H
									H
									H
									H
	3420	-56.51	-13	-43.51	-52.18	-62.58	1.58	7.65	V
	5132	-63.57	-13	-50.57	-63.85	-70.86	2.41	9.70	V
	6842	-63.02	-13	-50.02	-67.48	-70.99	2.64	10.61	V
									V
									V
									V
									V
Middle	3462	-56.78	-13	-43.78	-52.64	-63.02	1.59	7.83	H
	5193	-63.32	-13	-50.32	-64.18	-70.57	2.45	9.70	H
	6924	-63.13	-13	-50.13	-67.57	-71.22	2.62	10.71	H
									H
									H
									H
									H
	3462	-58.81	-13	-45.81	-54.57	-65.05	1.59	7.83	V
	5193	-63.52	-13	-50.52	-64.24	-70.77	2.45	9.70	V
	6924	-63.27	-13	-50.27	-67.79	-71.36	2.62	10.71	V
									V
									V
									V
									V



Highest	3510	-56.62	-13	-43.62	-52.55	-63.02	1.61	8.01	H
	5265	-64.01	-13	-51.01	-65.1	-71.22	2.49	9.70	H
	7020	-62.85	-13	-49.85	-67.22	-71.11	2.58	10.84	H
									H
									H
									H
									H
	3510	-58.65	-13	-45.65	-54.47	-65.05	1.61	8.01	V
	5265	-63.81	-13	-50.81	-64.88	-71.02	2.49	9.70	V
	7020	-62.85	-13	-49.85	-67.22	-71.11	2.58	10.84	V
									V
									V
									V
									V

Remark: Spurious emissions within 30-1000MHz were found more than 20dB below limit line.



LTE Band 4 / 3MHz / QPSK									
Channel	Frequency (MHz)	EIRP (dBm)	Limit (dBm)	Over Limit (dB)	SPA Reading (dBm)	S.G. Power (dBm)	TX Cable loss (dB)	TX Antenna Gain (dBi)	Polarization (H/V)
Lowest	3420	-56.29	-13	-43.29	-52.04	-62.36	1.58	7.65	H
	5134	-63.26	-13	-50.26	-63.75	-70.55	2.41	9.70	H
	6846	-63.03	-13	-50.03	-67.54	-71.01	2.64	10.62	H
									H
									H
									H
									H
	3420	-57.48	-13	-44.48	-53.15	-63.55	1.58	7.65	V
	5134	-63.48	-13	-50.48	-63.79	-70.77	2.41	9.70	V
	6846	-63.07	-13	-50.07	-67.65	-71.05	2.64	10.62	V
									V
									V
									V
									V
Middle	3462	-56.95	-13	-43.95	-52.9	-63.19	1.59	7.83	H
	5197	-63.42	-13	-50.42	-64.2	-70.67	2.45	9.70	H
	6930	-63.23	-13	-50.23	-67.72	-71.33	2.61	10.72	H
									H
									H
									H
									H
	3462	-58.88	-13	-45.88	-54.7	-65.12	1.59	7.83	V
	5197	-63.43	-13	-50.43	-64.19	-70.68	2.45	9.70	V
	6930	-63.23	-13	-50.23	-67.61	-71.33	2.61	10.72	V
									V
									V
									V
									V



Highest	3504	-58.26	-13	-45.26	-54.29	-64.66	1.61	8.00	H
	5260	-63.81	-13	-50.81	-64.78	-71.02	2.49	9.70	H
	7014	-62.98	-13	-49.98	-67.32	-71.22	2.59	10.83	H
									H
									H
									H
									H
	3504	-59.62	-13	-46.62	-55.33	-66.02	1.61	8.00	V
	5260	-63.94	-13	-50.94	-64.95	-71.15	2.49	9.70	V
	7014	-62.81	-13	-49.81	-67.34	-71.05	2.59	10.83	V
									V
									V
									V
									V

Remark: Spurious emissions within 30-1000MHz were found more than 20dB below limit line.



LTE Band 4 / 5MHz / QPSK									
Channel	Frequency (MHz)	EIRP (dBm)	Limit (dBm)	Over Limit (dB)	SPA Reading (dBm)	S.G. Power (dBm)	TX Cable loss (dB)	TX Antenna Gain (dBi)	Polarization (H/V)
Lowest	3420	-55.01	-13	-42.01	-50.82	-61.08	1.58	7.65	H
	5130	-62.39	-13	-49.39	-62.97	-69.68	2.41	9.70	H
	6840	-62.35	-13	-49.35	-67.08	-70.32	2.64	10.61	H
									H
									H
									H
									H
	3420	-56.03	-13	-43.03	-51.89	-62.1	1.58	7.65	V
	5130	-62.90	-13	-49.90	-63.32	-70.19	2.41	9.70	V
	6840	-62.26	-13	-49.26	-66.94	-70.23	2.64	10.61	V
									V
									V
									V
									V
Middle	2462	-56.13	-13	-43.13	-51.86	-60.14	1.28	5.29	H
	5190	-63.68	-13	-50.68	-64.21	-70.93	2.45	9.70	H
	6920	-63.38	-13	-50.38	-67.73	-71.47	2.62	10.70	H
									H
									H
									H
									H
	3460	-58.55	-13	-45.55	-54.17	-64.78	1.59	7.82	V
	5190	-63.58	-13	-50.58	-63.95	-70.83	2.45	9.70	V
	6920	-63.66	-13	-50.66	-67.96	-71.75	2.62	10.70	V
									V
									V
									V
									V



Highest	3504	-58.94	-13	-45.94	-54.82	-65.34	1.61	8.00	H
	5250	-63.84	-13	-50.84	-64.76	-71.06	2.48	9.70	H
	7000	-63.06	-13	-50.06	-67.35	-71.27	2.59	10.80	H
									H
									H
									H
									H
	3504	-59.67	-13	-46.67	-55.44	-66.07	1.61	8.00	V
	5250	-63.89	-13	-50.89	-64.7	-71.11	2.48	9.70	V
	7000	-62.94	-13	-49.94	-67.22	-71.15	2.59	10.80	V
									V
									V
									V
									V

Remark: Spurious emissions within 30-1000MHz were found more than 20dB below limit line.



LTE Band 4 / 10MHz / QPSK									
Channel	Frequency (MHz)	EIRP (dBm)	Limit (dBm)	Over Limit (dB)	SPA Reading (dBm)	S.G. Power (dBm)	TX Cable loss (dB)	TX Antenna Gain (dBi)	Polarization (H/V)
Lowest	3420	-56.25	-13	-43.25	-52.06	-62.32	1.58	7.65	H
	5130	-62.61	-13	-49.61	-63.19	-69.9	2.41	9.70	H
	6840	-62.21	-13	-49.21	-66.94	-70.18	2.64	10.61	H
									H
									H
									H
									H
	3420	-55.74	-13	-42.74	-51.6	-61.81	1.58	7.65	V
	5130	-62.68	-13	-49.68	-63.1	-69.97	2.41	9.70	V
	6840	-62.43	-13	-49.43	-67.11	-70.4	2.64	10.61	V
									V
									V
									V
									V
Middle	3455	-55.46	-13	-42.46	-51.41	-61.67	1.59	7.80	H
	5182.5	-62.52	-13	-49.52	-63.35	-69.78	2.44	9.70	H
	6910	-62.43	-13	-49.43	-67.06	-70.5	2.62	10.69	H
									H
									H
									H
									H
	3455	-56.90	-13	-43.90	-52.82	-63.11	1.59	7.80	V
	5182.5	-62.83	-13	-49.83	-63.52	-70.09	2.44	9.70	V
	6910	-61.94	-13	-48.94	-66.57	-70.01	2.62	10.69	V
									V
									V
									V
									V



Highest	3490	-62.50	-13	-49.50	-58.59	-68.85	1.60	7.96	H
	5235	-62.88	-13	-49.88	-63.97	-70.11	2.47	9.70	H
	6980	-62.39	-13	-49.39	-66.91	-70.57	2.60	10.78	H
									H
									H
									H
									H
	3490	-59.16	-13	-46.16	-55.14	-65.51	1.60	7.96	V
	5235	-62.91	-13	-49.91	-63.87	-70.14	2.47	9.70	V
	6980	-62.04	-13	-49.04	-66.6	-70.22	2.60	10.78	V
									V
									V
									V
									V

Remark: Spurious emissions within 30-1000MHz were found more than 20dB below limit line.



LTE Band 4 / 15MHz / QPSK									
Channel	Frequency (MHz)	EIRP (dBm)	Limit (dBm)	Over Limit (dB)	SPA Reading (dBm)	S.G. Power (dBm)	TX Cable loss (dB)	TX Antenna Gain (dBi)	Polarization (H/V)
Lowest	3420	-55.51	-13	-42.51	-51.15	-61.58	1.58	7.65	H
	5130	-63.09	-13	-50.09	-63.54	-70.38	2.41	9.70	H
	6840	-62.94	-13	-49.94	-67.5	-70.91	2.64	10.61	H
									H
									H
									H
									H
	3420	-56.39	-13	-43.39	-52.12	-62.46	1.58	7.65	V
	5130	-63.37	-13	-50.37	-63.68	-70.66	2.41	9.70	V
	6840	-62.84	-13	-49.84	-67.28	-70.81	2.64	10.61	V
									V
									V
									V
									V
Middle	3450	-53.59	-13	-40.59	-49.26	-59.78	1.59	7.78	H
	5175	-63.26	-13	-50.26	-64	-70.52	2.44	9.70	H
	6900	-63.38	-13	-50.38	-67.71	-71.44	2.62	10.68	H
									H
									H
									H
									H
	3450	-54.27	-13	-41.27	-50.1	-60.46	1.59	7.78	V
	5175	-63.03	-13	-50.03	-63.63	-70.29	2.44	9.70	V
	6900	-63.31	-13	-50.31	-67.69	-71.37	2.62	10.68	V
									V
									V
									V
									V



Highest	3480	-59.34	-13	-46.34	-55.28	-65.65	1.60	7.91	H
	5220	-63.22	-13	-50.22	-64	-70.46	2.46	9.70	H
	6960	-62.96	-13	-49.96	-67.4	-71.11	2.60	10.75	H
									H
									H
									H
									H
	3480	-58.74	-13	-45.74	-54.6	-65.05	1.60	7.91	V
	5220	-63.42	-13	-50.42	-64.2	-70.66	2.46	9.70	V
	6960	-62.94	-13	-49.94	-67.16	-71.09	2.60	10.75	V
									V
									V
									V
									V

Remark: Spurious emissions within 30-1000MHz were found more than 20dB below limit line.



LTE Band 4 / 20MHz / QPSK									
Channel	Frequency (MHz)	EIRP (dBm)	Limit (dBm)	Over Limit (dB)	SPA Reading (dBm)	S.G. Power (dBm)	TX Cable loss (dB)	TX Antenna Gain (dBi)	Polarization (H/V)
Lowest	3420	-55.47	-13	-42.47	-50.95	-61.54	1.58	7.65	H
	5130	-63.37	-13	-50.37	-63.76	-70.66	2.41	9.70	H
	6840	-63.02	-13	-50.02	-67.67	-70.99	2.64	10.61	H
									H
									H
									H
									H
	3420	-56.14	-13	-43.14	-51.86	-62.21	1.58	7.65	V
	5130	-63.29	-13	-50.29	-63.77	-70.58	2.41	9.70	V
	6840	-63.02	-13	-50.02	-67.56	-70.99	2.64	10.61	V
									V
									V
									V
									V
Middle	3450	-53.58	-13	-40.58	-49.34	-59.77	1.59	7.78	H
	5175	-63.29	-13	-50.29	-63.88	-70.55	2.44	9.70	H
	6900	-63.33	-13	-50.33	-67.7	-71.39	2.62	10.68	H
									H
									H
									H
									H
	3450	-54.86	-13	-41.86	-50.62	-61.05	1.59	7.78	V
	5175	-63.42	-13	-50.42	-64.09	-70.68	2.44	9.70	V
	6900	-63.29	-13	-50.29	-67.69	-71.35	2.62	10.68	V
									V
									V
									V
									V



Highest	3474	-59.73	-13	-46.73	-55.56	-66.02	1.60	7.89	H
	5211	-63.78	-13	-50.78	-64.45	-71.02	2.46	9.70	H
	6948	-62.98	-13	-49.98	-67.42	-71.11	2.61	10.74	H
									H
									H
									H
									H
	3474	-60.23	-13	-47.23	-56.04	-66.52	1.60	7.89	V
	5211	-63.81	-13	-50.81	-64.47	-71.05	2.46	9.70	V
	6948	-63.06	-13	-50.06	-67.48	-71.19	2.61	10.74	V
									V
									V
									V
									V

Remark: Spurious emissions within 30-1000MHz were found more than 20dB below limit line.



LTE Band 5

LTE Band 5 / 1.4MHz / QPSK									
Channel	Frequency (MHz)	EIRP (dBm)	Limit (dBm)	Over Limit (dB)	SPA Reading (dBm)	S.G. Power (dBm)	TX Cable loss (dB)	TX Antenna Gain (dBi)	Polarization (H/V)
Lowest	1648	-67.79	-13	-54.79	-55.48	-69.55	0.98	4.89	H
	2474	-66.79	-13	-53.79	-59.94	-68.68	1.28	5.32	H
	3298	-66.24	-13	-53.24	-61.33	-69.66	1.54	7.11	H
									H
									H
									H
									H
	1648	-69.35	-13	-56.35	-57.52	-71.11	0.98	4.89	V
	2474	-66.03	-13	-53.03	-59.66	-67.92	1.28	5.32	V
	3298	-66.39	-13	-53.39	-61.82	-69.81	1.54	7.11	V
									V
									V
									V
									V
Middle	1672	-67.19	-13	-54.19	-55.16	-68.87	0.99	4.82	H
	2509	-67.03	-13	-54.03	-60.33	-68.99	1.29	5.41	H
	3345	-65.94	-13	-52.94	-61.22	-69.55	1.56	7.32	H
									H
									H
									H
									H
	1672	-68.43	-13	-55.43	-56.96	-70.11	0.99	4.82	V
	2509	-65.86	-13	-52.86	-59.47	-67.82	1.29	5.41	V
	3345	-65.92	-13	-52.92	-61.47	-69.53	1.56	7.32	V
									V
									V
									V
									V



Highest	1696	-67.22	-13	-54.22	-55.36	-68.82	1.00	4.75	H
	2544	-66.78	-13	-53.78	-60.1	-68.76	1.30	5.44	H
	3393	-65.71	-13	-52.71	-61.14	-69.52	1.57	7.53	H
									H
									H
									H
									H
	1696	-68.62	-13	-55.62	-57.32	-70.22	1.00	4.75	V
	2544	-66.35	-13	-53.35	-60.17	-68.33	1.30	5.44	V
	3393	-64.89	-13	-51.89	-60.53	-68.7	1.57	7.53	V
									V
									V
									V
									V

Remark: Spurious emissions within 30-1000MHz were found more than 20dB below limit line.



LTE Band 5 / 3MHz / QPSK									
Channel	Frequency (MHz)	ERP (dBm)	Limit (dBm)	Over Limit (dB)	SPA Reading (dBm)	S.G. Power (dBm)	TX Cable loss (dB)	TX Antenna Gain (dBi)	Polarization (H/V)
Lowest	1648	-68.46	-13	-55.46	-56.08	-70.22	0.98	4.89	H
	2476	-66.99	-13	-53.99	-60.02	-68.88	1.28	5.33	H
	3302	-65.97	-13	-52.97	-61.18	-69.41	1.54	7.13	H
									H
									H
									H
									H
	1648	-69.79	-13	-56.79	-58	-71.55	0.98	4.89	V
	2476	-66.44	-13	-53.44	-60.09	-68.33	1.28	5.33	V
	3302	-65.77	-13	-52.77	-61.35	-69.21	1.54	7.13	V
									V
									V
									V
									V
Middle	1672	-68.23	-13	-55.23	-56.25	-69.91	0.99	4.82	H
	2509	-67.03	-13	-54.03	-60.36	-68.99	1.29	5.41	H
	3345	-65.94	-13	-52.94	-61.13	-69.55	1.56	7.32	H
									H
									H
									H
									H
	1672	-68.91	-13	-55.91	-57.36	-70.59	0.99	4.82	V
	2509	-66.59	-13	-53.59	-60.31	-68.55	1.29	5.41	V
	3345	-65.61	-13	-52.61	-61.16	-69.22	1.56	7.32	V
									V
									V
									V
									V
								V	



Highest	1696	-67.41	-13	-54.41	-55.54	-69.01	1.00	4.75	H
	2542	-67.24	-13	-54.24	-60.54	-69.22	1.30	5.43	H
	3390	-65.25	-13	-52.25	-60.98	-69.05	1.57	7.52	H
									H
									H
									H
									H
	1696	-68.62	-13	-55.62	-57.31	-70.22	1.00	4.75	V
	2542	-66.45	-13	-53.45	-60.28	-68.43	1.30	5.43	V
	3390	-65.31	-13	-52.31	-60.97	-69.11	1.57	7.52	V
									V
									V
									V
									V

Remark: Spurious emissions within 30-1000MHz were found more than 20dB below limit line.



LTE Band 5 / 5MHz / QPSK									
Channel	Frequency (MHz)	ERP (dBm)	Limit (dBm)	Over Limit (dB)	SPA Reading (dBm)	S.G. Power (dBm)	TX Cable loss (dB)	TX Antenna Gain (dBi)	Polarization (H/V)
Lowest	1648	-67.53	-13	-54.53	-55.33	-69.29	0.98	4.89	H
	2480	-66.68	-13	-53.68	-59.8	-68.59	1.28	5.34	H
	3306	-66.04	-13	-53.04	-61.35	-69.49	1.54	7.15	H
									H
									H
									H
									H
	1648	-68.93	-13	-55.93	-57.03	-70.69	0.98	4.89	V
	2480	-66.42	-13	-53.42	-59.96	-68.33	1.28	5.34	V
	3306	-65.86	-13	-52.86	-61.44	-69.31	1.54	7.15	V
									V
									V
									V
									V
Middle	1672	-67.54	-13	-54.54	-55.63	-69.22	0.99	4.82	H
	2509	-67.03	-13	-54.03	-60.29	-68.99	1.29	5.41	H
	3344	-65.91	-13	-52.91	-61.21	-69.52	1.56	7.31	H
									H
									H
									H
									H
	1672	-68.34	-13	-55.34	-56.74	-70.02	0.99	4.82	V
	2509	-66.67	-13	-53.67	-60.4	-68.63	1.29	5.41	V
	3344	-65.54	-13	-52.54	-61.12	-69.15	1.56	7.31	V
									V
									V
									V
									V
								V	



Highest	1688	-66.66	-13	-53.66	-54.67	-68.29	1.00	4.77	H
	2539	-66.54	-13	-53.54	-59.87	-68.52	1.30	5.43	H
	3386	-65.44	-13	-52.44	-61.04	-69.22	1.57	7.50	H
									H
									H
									H
									H
	1688	-68.48	-13	-55.48	-56.93	-70.11	1.00	4.77	V
	2539	-65.03	-13	-52.03	-58.94	-67.01	1.30	5.43	V
	3386	-65.33	-13	-52.33	-61.06	-69.11	1.57	7.50	V
									V
									V
									V
									V

Remark: Spurious emissions within 30-1000MHz were found more than 20dB below limit line.



LTE Band 5 / 10MHz / QPSK									
Channel	Frequency (MHz)	ERP (dBm)	Limit (dBm)	Over Limit (dB)	SPA Reading (dBm)	S.G. Power (dBm)	TX Cable loss (dB)	TX Antenna Gain (dBi)	Polarization (H/V)
Lowest	1648	-70.28	-13	-57.28	-57.78	-72.04	0.98	4.89	H
	2472	-67.05	-13	-54.05	-60.17	-68.93	1.28	5.32	H
	3296	-66.02	-13	-53.02	-61.21	-69.43	1.54	7.10	H
									H
									H
									H
									H
	1648	-69.11	-13	-56.11	-57.12	-70.87	0.98	4.89	V
	2472	-66.34	-13	-53.34	-59.89	-68.22	1.28	5.32	V
	3296	-65.92	-13	-52.92	-61.33	-69.33	1.54	7.10	V
									V
									V
									V
									V
Middle	1664	-66.58	-13	-53.58	-54.3	-68.29	0.98	4.84	H
	2496	-64.24	-13	-51.24	-57.35	-66.19	1.29	5.39	H
	3326	-65.96	-13	-52.96	-61.17	-69.49	1.55	7.23	H
									H
									H
									H
									H
	1664	-65.83	-13	-52.83	-54	-67.54	0.98	4.84	V
	2496	-62.47	-13	-49.47	-56.05	-64.42	1.29	5.39	V
	3326	-65.84	-13	-52.84	-61.3	-69.37	1.55	7.23	V
									V
									V
									V
									V



Highest	1678	-65.67	-13	-52.67	-53.55	-67.33	0.99	4.80	H
	2520	-67.34	-13	-54.34	-60.54	-69.31	1.30	5.42	H
	3356	-65.77	-13	-52.77	-61.15	-69.43	1.56	7.37	H
									H
									H
									H
									H
	1678	-70.62	-13	-57.62	-59.06	-72.28	0.99	4.80	V
	2520	-66.58	-13	-53.58	-60.25	-68.55	1.30	5.42	V
	3356	-65.51	-13	-52.51	-61.04	-69.17	1.56	7.37	V
									V
									V
									V
									V

Remark: Spurious emissions within 30-1000MHz were found more than 20dB below limit line.



LTE Band 26

LTE Band 26 / 1.4MHz / QPSK										
Channel	Frequency (MHz)	ERP (dBm)	Limit (dBm)	Over Limit (dB)	SPA Reading (dBm)	S.G. Power (dBm)	TX Cable loss (dB)	TX Antenna Gain (dBi)	Polarization (H/V)	
Lowest	1648	-68.93	-13	-55.93	-56.54	-70.69	0.98	4.89	H	
	2474	-67.09	-13	-54.09	-60.11	-68.98	1.28	5.32	H	
	3298	-66.35	-13	-53.35	-61.33	-69.77	1.54	7.11	H	
										H
										H
										H
										H
	1648	-69.12	-13	-56.12	-57.22	-70.88	0.98	4.89	V	
	2474	-66.33	-13	-53.33	-59.94	-68.22	1.28	5.32	V	
	3298	-65.99	-13	-52.99	-61.51	-69.41	1.54	7.11	V	
										V
										V
										V
										V
Middle	1672	-68.21	-13	-55.21	-56.15	-69.89	0.99	4.82	H	
	2509	-67.09	-13	-54.09	-60.45	-69.05	1.29	5.41	H	
	3346	-66.07	-13	-53.07	-61.46	-69.69	1.56	7.32	H	
										H
										H
										H
										H
	1672	-68.83	-13	-55.83	-56.99	-70.51	0.99	4.82	V	
	2509	-66.59	-13	-53.59	-60.18	-68.55	1.29	5.41	V	
	3346	-65.43	-13	-52.43	-61.06	-69.05	1.56	7.32	V	
										V
										V
										V
										V



Highest	1696	-68.42	-13	-55.42	-56.44	-70.02	1.00	4.75	H
	2544	-67.13	-13	-54.13	-60.48	-69.11	1.30	5.44	H
	3393	-65.24	-13	-52.24	-60.92	-69.05	1.57	7.53	H
									H
									H
									H
									H
	1696	-68.73	-13	-55.73	-57.41	-70.33	1.00	4.75	V
	2544	-66.54	-13	-53.54	-60.35	-68.52	1.30	5.44	V
	3393	-65.44	-13	-52.44	-61.16	-69.25	1.57	7.53	V
									V
									V
									V
									V

Remark: Spurious emissions within 30-1000MHz were found more than 20dB below limit line.



LTE Band 26 / 3MHz / QPSK									
Channel	Frequency (MHz)	ERP (dBm)	Limit (dBm)	Over Limit (dB)	SPA Reading (dBm)	S.G. Power (dBm)	TX Cable loss (dB)	TX Antenna Gain (dBi)	Polarization (H/V)
Lowest	1648	-68.68	-13	-55.68	-56.4	-70.44	0.98	4.89	H
	2476	-66.88	-13	-53.88	-59.97	-68.77	1.28	5.33	H
	3302	-66.07	-13	-53.07	-61.32	-69.51	1.54	7.13	H
									H
									H
									H
									H
	1648	-69.35	-13	-56.35	-57.59	-71.11	0.98	4.89	V
	2476	-66.44	-13	-53.44	-60.07	-68.33	1.28	5.33	V
	3302	-65.77	-13	-52.77	-61.35	-69.21	1.54	7.13	V
									V
									V
									V
									V
Middle	1672	-68.33	-13	-55.33	-56.27	-70.01	0.99	4.82	H
	2509	-67.09	-13	-54.09	-60.42	-69.05	1.29	5.41	H
	3346	-66.04	-13	-53.04	-61.44	-69.66	1.56	7.32	H
									H
									H
									H
									H
	1672	-69.01	-13	-56.01	-57.43	-70.69	0.99	4.82	V
	2509	-66.59	-13	-53.59	-60.33	-68.55	1.29	5.41	V
	3346	-65.43	-13	-52.43	-60.84	-69.05	1.56	7.32	V
									V
									V
									V
									V



Highest	1696	-67.95	-13	-54.95	-56.1	-69.55	1.00	4.75	H
	2542	-66.94	-13	-53.94	-60.32	-68.92	1.30	5.43	H
	3390	-65.64	-13	-52.64	-61.28	-69.44	1.57	7.52	H
									H
									H
									H
									H
	1696	-68.95	-13	-55.95	-57.56	-70.55	1.00	4.75	V
	2542	-66.67	-13	-53.67	-60.39	-68.65	1.30	5.43	V
	3390	-65.31	-13	-52.31	-61.06	-69.11	1.57	7.52	V
									V
									V
									V
									V

Remark: Spurious emissions within 30-1000MHz were found more than 20dB below limit line.



LTE Band 26 / 5MHz / QPSK									
Channel	Frequency (MHz)	EIRP (dBm)	Limit (dBm)	Over Limit (dB)	SPA Reading (dBm)	S.G. Power (dBm)	TX Cable loss (dB)	TX Antenna Gain (dBi)	Polarization (H/V)
Lowest	1656	-71.28	-13	-58.28	-59.01	-73.01	0.98	4.86	H
	2479	-66.98	-13	-53.98	-59.93	-68.88	1.28	5.34	H
	3306	-65.96	-13	-52.96	-61.21	-69.41	1.54	7.15	H
									H
									H
									H
									H
	1656	-70.28	-13	-57.28	-58.57	-72.01	0.98	4.86	V
	2479	-66.43	-13	-53.43	-59.94	-68.33	1.28	5.34	V
	3306	-65.77	-13	-52.77	-61.38	-69.22	1.54	7.15	V
									V
									V
									V
									V
Middle	1672	-68.09	-13	-55.09	-56.03	-69.77	0.99	4.82	H
	2509	-67.15	-13	-54.15	-60.44	-69.11	1.29	5.41	H
	3346	-66.04	-13	-53.04	-61.13	-69.66	1.56	7.32	H
									H
									H
									H
									H
	1672	-68.76	-13	-55.76	-57.19	-70.44	0.99	4.82	V
	2509	-67.03	-13	-54.03	-60.69	-68.99	1.29	5.41	V
	3346	-65.60	-13	-52.60	-61.17	-69.22	1.56	7.32	V
									V
									V
									V
									V



Highest	1688	-67.39	-13	-54.39	-55.29	-69.02	1.00	4.77	H
	2532	-66.58	-13	-53.58	-59.82	-68.55	1.30	5.43	H
	3376	-65.27	-13	-52.27	-60.88	-69.01	1.57	7.45	H
									H
									H
									H
									H
	1688	-69.03	-13	-56.03	-57.47	-70.66	1.00	4.77	V
	2532	-66.14	-13	-53.14	-59.92	-68.11	1.30	5.43	V
	3376	-65.03	-13	-52.03	-60.78	-68.77	1.57	7.45	V
									V
									V
									V
									V

Remark: Spurious emissions within 30-1000MHz were found more than 20dB below limit line.



LTE Band 26 / 10MHz / QPSK									
Channel	Frequency (MHz)	EIRP (dBm)	Limit (dBm)	Over Limit (dB)	SPA Reading (dBm)	S.G. Power (dBm)	TX Cable loss (dB)	TX Antenna Gain (dBi)	Polarization (H/V)
Lowest	1648	-68.35	-13	-55.35	-55.96	-70.11	0.98	4.89	H
	2472	-66.67	-13	-53.67	-59.83	-68.55	1.28	5.32	H
	3296	-65.92	-13	-52.92	-60.95	-69.33	1.54	7.10	H
									H
									H
									H
									H
	1648	-68.93	-13	-55.93	-57.01	-70.69	0.98	4.89	V
	2472	-66.91	-13	-53.91	-60.5	-68.79	1.28	5.32	V
	3296	-66.18	-13	-53.18	-61.61	-69.59	1.54	7.10	V
									V
									V
									V
									V
Middle	1665	-67.52	-13	-54.52	-55.46	-69.22	0.99	4.84	H
	2495	-66.97	-13	-53.97	-60.21	-68.92	1.29	5.39	H
	3328	-65.85	-13	-52.85	-61.19	-69.39	1.55	7.24	H
									H
									H
									H
									H
	1665	-68.74	-13	-55.74	-57.14	-70.44	0.99	4.84	V
	2495	-67.49	-13	-54.49	-61.14	-69.44	1.29	5.39	V
	3328	-66.05	-13	-53.05	-61.62	-69.59	1.55	7.24	V
									V
									V
									V
									V



Highest	1680	-54.36	-13	-41.36	-55.27	-56.01	0.99	4.80	H
	2524	-66.85	-13	-53.85	-60.15	-68.82	1.30	5.42	H
	3366	-65.59	-13	-52.59	-61.04	-69.29	1.56	7.41	H
									H
									H
									H
									H
	1680	-68.79	-13	-55.79	-57.3	-70.44	0.99	4.80	V
	2524	-67.02	-13	-54.02	-60.86	-68.99	1.30	5.42	V
	3366	-64.59	-13	-51.59	-60.21	-68.29	1.56	7.41	V
									V
									V
									V
									V

Remark: Spurious emissions within 30-1000MHz were found more than 20dB below limit line.



LTE Band 26 / 15MHz / QPSK									
Channel	Frequency (MHz)	EIRP (dBm)	Limit (dBm)	Over Limit (dB)	SPA Reading (dBm)	S.G. Power (dBm)	TX Cable loss (dB)	TX Antenna Gain (dBi)	Polarization (H/V)
Lowest	1648	-68.53	-13	-55.53	-56.25	-70.29	0.98	4.89	H
	2472	-66.81	-13	-53.81	-60.03	-68.69	1.28	5.32	H
	3296	-65.81	-13	-52.81	-61	-69.22	1.54	7.10	H
									H
									H
									H
									H
	1648	-69.79	-13	-56.79	-57.94	-71.55	0.98	4.89	V
	2472	-66.81	-13	-53.81	-60.5	-68.69	1.28	5.32	V
	3296	-65.81	-13	-52.81	-61.28	-69.22	1.54	7.10	V
									V
									V
									V
									V
Middle	1664	-67.08	-13	-54.08	-54.95	-68.79	0.98	4.84	H
	2495	-67.04	-13	-54.04	-60.26	-68.99	1.29	5.39	H
	3328	-66.05	-13	-53.05	-61.3	-69.59	1.55	7.24	H
									H
									H
									H
									H
	1664	-69.31	-13	-56.31	-57.52	-71.02	0.98	4.84	V
	2495	-66.97	-13	-53.97	-60.66	-68.92	1.29	5.39	V
	3328	-65.57	-13	-52.57	-61.13	-69.11	1.55	7.24	V
									V
									V
									V
									V
								V	



Highest	1672	-68.01	-13	-55.01	-56.02	-69.69	0.99	4.82	H
	2508	-66.63	-13	-53.63	-59.95	-68.59	1.29	5.41	H
	3344	-65.94	-13	-52.94	-61.52	-69.55	1.56	7.31	H
									H
									H
									H
									H
	1672	-68.34	-13	-55.34	-56.79	-70.02	0.99	4.82	V
	2508	-67.03	-13	-54.03	-60.81	-68.99	1.29	5.41	V
	3344	-65.61	-13	-52.61	-61.26	-69.22	1.56	7.31	V
									V
									V
									V
									V

Remark: Spurious emissions within 30-1000MHz were found more than 20dB below limit line.



LTE Band 7

LTE Band 7 / 5MHz / QPSK										
Channel	Frequency (MHz)	ERP (dBm)	Limit (dBm)	Over Limit (dB)	SPA Reading (dBm)	S.G. Power (dBm)	TX Cable loss (dB)	TX Antenna Gain (dBi)	Polarization (H/V)	
Lowest	4998	-63.04	-25	-38.04	-62.66	-70.4	2.34	9.70	H	
	7506	-63.86	-25	-38.86	-67.66	-73.24	2.43	11.80	H	
	10008	-60.28	-25	-35.28	-67.88	-69.79	2.70	12.20	H	
										H
										H
										H
										H
	4998	-63.42	-25	-38.42	-62.81	-70.78	2.34	9.70	V	
	7506	-63.44	-25	-38.44	-67.7	-72.82	2.43	11.80	V	
	10008	-60.42	-25	-35.42	-67.95	-69.93	2.70	12.20	V	
										V
										V
										V
										V
Middle	5064	-56.72	-25	-31.72	-56.64	-64.05	2.37	9.70	H	
	7596	-53.24	-25	-28.24	-67.37	-62.7	2.40	11.86	H	
	10134	-60.78	-25	-35.78	-68.5	-70.34	2.70	12.25	H	
										H
										H
										H
										H
	5064	-53.98	-25	-28.98	-53.8	-61.31	2.37	9.70	V	
	7596	-61.73	-25	-36.73	-66.16	-71.19	2.40	11.86	V	
	10134	-60.38	-25	-35.38	-68.11	-69.94	2.70	12.25	V	
										V
										V
										V
										V



Highest	5130	-51.72	-25	-26.72	-51.95	-59.01	2.41	9.70	H
	7698	-60.42	-25	-35.42	-64.94	-69.97	2.37	11.92	H
	10260	-59.98	-25	-34.98	-68.18	-69.59	2.69	12.30	H
									H
									H
									H
									H
	5130	-48.34	-25	-23.34	-48.38	-55.63	2.41	9.70	V
	7698	-57.06	-25	-32.06	-61.91	-66.61	2.37	11.92	V
	10260	-60.52	-25	-35.52	-68.51	-70.13	2.69	12.30	V
									V
									V
									V
									V

Remark: Spurious emissions within 30-1000MHz were found more than 20dB below limit line.



LTE Band 7 / 10MHz / QPSK									
Channel	Frequency (MHz)	EIRP (dBm)	Limit (dBm)	Over Limit (dB)	SPA Reading (dBm)	S.G. Power (dBm)	TX Cable loss (dB)	TX Antenna Gain (dBi)	Polarization (H/V)
Lowest	5000	-63.34	-25	-38.34	-63.24	-70.7	2.34	9.70	H
	7500	-64.03	-25	-39.03	-68.16	-73.4	2.43	11.80	H
	10000	-60.66	-25	-35.66	-68.51	-70.16	2.70	12.20	H
									H
									H
									H
									H
	5000	-63.48	-25	-38.48	-63.18	-70.84	2.34	9.70	V
	7500	-63.50	-25	-38.50	-67.87	-72.87	2.43	11.80	V
	10000	-60.68	-25	-35.68	-68.47	-70.18	2.70	12.20	V
									V
									V
									V
									V
Middle	5060	-58.87	-25	-33.87	-59.11	-66.2	2.37	9.70	H
	7590	-63.24	-25	-38.24	-67.74	-72.69	2.40	11.85	H
	10120	-60.54	-25	-35.54	-68.66	-70.09	2.70	12.25	H
									H
									H
									H
									H
	5060	-58.80	-25	-33.80	-58.86	-66.13	2.37	9.70	V
	7590	-63.12	-25	-38.12	-67.88	-72.57	2.40	11.85	V
	10120	-60.49	-25	-35.49	-68.52	-70.04	2.70	12.25	V
									V
									V
									V
									V



Highest	5124	-55.06	-25	-30.06	-55.36	-62.35	2.41	9.70	H
	7680	-62.28	-25	-37.28	-66.74	-71.82	2.37	11.91	H
	10240	-60.49	-25	-35.49	-68.62	-70.09	2.69	12.30	H
									H
									H
									H
									H
	5124	-50.88	-25	-25.88	-51.03	-58.17	2.41	9.70	V
	7680	-58.64	-25	-33.64	-63.41	-68.18	2.37	11.91	V
	10240	-60.48	-25	-35.48	-68.45	-70.08	2.69	12.30	V
									V
									V
									V
									V

Remark: Spurious emissions within 30-1000MHz were found more than 20dB below limit line.



LTE Band 7 / 15MHz / QPSK									
Channel	Frequency (MHz)	EIRP (dBm)	Limit (dBm)	Over Limit (dB)	SPA Reading (dBm)	S.G. Power (dBm)	TX Cable loss (dB)	TX Antenna Gain (dBi)	Polarization (H/V)
Lowest	4998	-63.55	-25	-38.55	-63.17	-70.91	2.34	9.70	H
	7500	-64.38	-25	-39.38	-68.24	-73.75	2.43	11.80	H
	10008	-60.87	-25	-35.87	-68.46	-70.38	2.70	12.20	H
									H
									H
									H
									H
	4998	-63.98	-25	-38.98	-63.41	-71.34	2.34	9.70	V
	7500	-63.86	-25	-38.86	-67.93	-73.23	2.43	11.80	V
	10008	-60.98	-25	-35.98	-68.54	-70.49	2.70	12.20	V
									V
									V
									V
									V
Middle	5058	-59.56	-25	-34.56	-59.52	-66.89	2.37	9.70	H
	7584	-63.69	-25	-38.69	-67.81	-73.14	2.40	11.85	H
	10116	-60.87	-25	-35.87	-68.75	-70.42	2.70	12.25	H
									H
									H
									H
									H
	5058	-58.41	-25	-33.41	-58.19	-65.74	2.37	9.70	V
	7584	-63.09	-25	-38.09	-67.52	-72.54	2.40	11.85	V
	10116	-60.61	-25	-35.61	-68.3	-70.16	2.70	12.25	V
									V
									V
									V
									V



Highest	5112	-55.46	-25	-30.46	-55.63	-62.76	2.40	9.70	H
	7665	-63.62	-25	-38.62	-67.95	-73.14	2.38	11.90	H
	10224	-60.45	-25	-35.45	-68.55	-70.04	2.69	12.29	H
									H
									H
									H
									H
	5112	-52.64	-25	-27.64	-52.64	-59.94	2.40	9.70	V
	7665	-61.43	-25	-36.43	-66.14	-70.95	2.38	11.90	V
	10224	-60.56	-25	-35.56	-68.53	-70.15	2.69	12.29	V
									V
									V
									V
									V

Remark: Spurious emissions within 30-1000MHz were found more than 20dB below limit line.



LTE Band 7 / 20MHz / QPSK									
Channel	Frequency (MHz)	EIRP (dBm)	Limit (dBm)	Over Limit (dB)	SPA Reading (dBm)	S.G. Power (dBm)	TX Cable loss (dB)	TX Antenna Gain (dBi)	Polarization (H/V)
Lowest	4998	-63.34	-25	-38.34	-62.89	-70.7	2.34	9.70	H
	7500	-64.11	-25	-39.11	-67.94	-73.48	2.43	11.80	H
	10008	-60.32	-25	-35.32	-67.97	-69.83	2.70	12.20	H
									H
									H
									H
									H
	4998	-63.46	-25	-38.46	-62.84	-70.82	2.34	9.70	V
	7500	-63.81	-25	-38.81	-67.83	-73.18	2.43	11.80	V
	10008	-60.58	-25	-35.58	-68.1	-70.09	2.70	12.20	V
									V
									V
									V
									V
Middle	5052	-58.88	-25	-33.88	-58.76	-66.21	2.37	9.70	H
	7575	-63.84	-25	-38.84	-67.94	-73.28	2.41	11.85	H
	10098	-60.57	-25	-35.57	-68.28	-70.11	2.70	12.24	H
									H
									H
									H
									H
	5052	-59.18	-25	-34.18	-58.81	-66.51	2.37	9.70	V
	7575	-63.39	-25	-38.39	-67.7	-72.83	2.41	11.85	V
	10098	-60.85	-25	-35.85	-68.46	-70.39	2.70	12.24	V
									V
									V
									V
									V



Highest	5100	-52.98	-25	-27.98	-53.16	-60.29	2.39	9.70	H
	7656	-63.02	-25	-38.02	-67.55	-72.53	2.38	11.89	H
	10206	-60.27	-25	-35.27	-68.33	-69.86	2.70	12.28	H
									H
									H
									H
									H
	5100	-49.74	-25	-24.74	-49.66	-57.05	2.39	9.70	V
	7656	-60.35	-25	-35.35	-65.07	-69.86	2.38	11.89	V
	10206	-60.63	-25	-35.63	-68.55	-70.22	2.70	12.28	V
									V
									V
									V
									V

Remark: Spurious emissions within 30-1000MHz were found more than 20dB below limit line.



LTE Band 12

LTE Band 12 / 1.4MHz / QPSK									
Channel	Frequency (MHz)	ERP (dBm)	Limit (dBm)	Over Limit (dB)	SPA Reading (dBm)	S.G. Power (dBm)	TX Cable loss (dB)	TX Antenna Gain (dBi)	Polarization (H/V)
Lowest	1400	-55.97	-13.00	-42.97	-42.11	-57.63	0.87	4.68	H
	2100	-59.06	-13.00	-46.06	-50.51	-59.94	1.17	4.20	H
	2800	-66.59	-13.00	-53.59	-60.42	-68.70	1.38	5.64	H
									H
									H
									H
									H
	1400	-58.58	-13.00	-45.58	-45.19	-60.24	0.87	4.68	V
	2100	-59.39	-13.00	-46.39	-51.18	-60.27	1.17	4.20	V
	2800	-65.67	-13.00	-52.67	-60.28	-67.78	1.38	5.64	V
									V
									V
									V
									V
Middle	1416	-59.95	-13.00	-46.95	-46.09	-61.70	0.87	4.78	H
	2124	-62.13	-13.00	-49.13	-53.66	-63.08	1.17	4.27	H
	2832	-66.82	-13.00	-53.82	-60.71	-68.94	1.39	5.67	H
									H
									H
									H
									H
	1416	-61.29	-13.00	-48.29	-47.90	-63.04	0.87	4.78	V
	2124	-62.68	-13.00	-49.68	-54.56	-63.63	1.17	4.27	V
	2832	-65.61	-13.00	-52.61	-60.31	-67.73	1.39	5.67	V
									V
									V
									V
									V



Highest	1432	-64.27	-13.00	-51.27	-50.48	-66.12	0.88	4.88	H
	2148	-67.49	-13.00	-54.49	-59.19	-68.50	1.18	4.34	H
	2864	-66.28	-13.00	-53.28	-60.22	-68.42	1.40	5.69	H
									H
									H
									H
									H
	1432	-63.27	-13.00	-50.27	-49.97	-65.12	0.88	4.88	V
	2148	-67.12	-13.00	-54.12	-59.17	-68.13	1.18	4.34	V
	2864	-65.19	-13.00	-52.19	-59.98	-67.33	1.40	5.69	V
									V
									V
									V
									V

Remark: Spurious emissions within 30-1000MHz were found more than 20dB below limit line.



LTE Band 12 / 3MHz / QPSK									
Channel	Frequency (MHz)	ERP (dBm)	Limit (dBm)	Over Limit (dB)	SPA Reading (dBm)	S.G. Power (dBm)	TX Cable loss (dB)	TX Antenna Gain (dBi)	Polarization (H/V)
Lowest	1400	-57.87	-13.00	-44.87	-44.01	-59.53	0.87	4.68	H
	2100	-56.71	-13.00	-43.71	-48.16	-57.59	1.17	4.20	H
	2800	-66.33	-13.00	-53.33	-60.16	-68.44	1.38	5.64	H
									H
									H
									H
									H
	1400	-59.45	-13.00	-46.45	-46.06	-61.11	0.87	4.68	V
	2100	-62.32	-13.00	-49.32	-54.11	-63.20	1.17	4.20	V
	2800	-65.62	-13.00	-52.62	-60.23	-67.73	1.38	5.64	V
									V
									V
									V
									V
Middle	1416	-61.08	-13.00	-48.08	-47.22	-62.83	0.87	4.78	H
	2124	-63.01	-13.00	-50.01	-54.54	-63.96	1.17	4.27	H
	2832	-66.00	-13.00	-53.00	-59.89	-68.12	1.39	5.67	H
									H
									H
									H
									H
	1416	-61.43	-13.00	-48.43	-48.04	-63.18	0.87	4.78	V
	2124	-63.60	-13.00	-50.60	-55.48	-64.55	1.17	4.27	V
	2832	-65.77	-13.00	-52.77	-60.47	-67.89	1.39	5.67	V
									V
									V
									V
									V
								V	



Highest	1426	-65.32	-13.00	-52.32	-51.53	-67.13	0.88	4.84	H
	2139	-63.94	-13.00	-50.94	-55.55	-64.93	1.18	4.32	H
	2852	-66.48	-13.00	-53.48	-60.39	-68.61	1.40	5.68	H
									H
									H
									H
									H
	1426	-64.89	-13.00	-51.89	-51.59	-66.70	0.88	4.84	V
	2139	-65.69	-13.00	-52.69	-57.65	-66.68	1.18	4.32	V
	2852	-65.74	-13.00	-52.74	-60.49	-67.87	1.40	5.68	V
									V
									V
									V
									V

Remark: Spurious emissions within 30-1000MHz were found more than 20dB below limit line.



LTE Band 12 / 5MHz / QPSK									
Channel	Frequency (MHz)	ERP (dBm)	Limit (dBm)	Over Limit (dB)	SPA Reading (dBm)	S.G. Power (dBm)	TX Cable loss (dB)	TX Antenna Gain (dBi)	Polarization (H/V)
Lowest	1400	-58.73	-13.00	-45.73	-44.87	-60.39	0.87	4.68	H
	2100	-55.75	-13.00	-42.75	-47.20	-56.63	1.17	4.20	H
	2800	-66.46	-13.00	-53.46	-60.29	-68.57	1.38	5.64	H
									H
									H
									H
									H
	1400	-59.91	-13.00	-46.91	-46.52	-61.57	0.87	4.68	V
	2100	-56.42	-13.00	-43.42	-48.21	-57.30	1.17	4.20	V
	2800	-65.60	-13.00	-52.60	-60.21	-67.71	1.38	5.64	V
									V
									V
									V
									V
Middle	1408	-60.95	-13.00	-47.95	-47.09	-62.66	0.87	4.73	H
	2112	-62.70	-13.00	-49.70	-54.15	-63.62	1.17	4.24	H
	2816	-66.58	-13.00	-53.58	-60.44	-68.69	1.39	5.65	H
									H
									H
									H
									H
	1408	-61.40	-13.00	-48.40	-48.01	-63.11	0.87	4.73	V
	2112	-64.19	-13.00	-51.19	-55.98	-65.11	1.17	4.24	V
	2816	-65.68	-13.00	-52.68	-60.34	-67.79	1.39	5.65	V
									V
									V
									V
									V



Highest	1424	-64.13	-13.00	-51.13	-50.34	-65.93	0.88	4.83	H
	2136	-62.01	-13.00	-49.01	-53.62	-62.99	1.18	4.31	H
	2848	-66.73	-13.00	-53.73	-60.64	-68.86	1.40	5.68	H
									H
									H
									H
									H
	1424	-64.84	-13.00	-51.84	-51.54	-66.64	0.88	4.83	V
	2136	-64.96	-13.00	-51.96	-56.92	-65.94	1.18	4.31	V
	2848	-65.85	-13.00	-52.85	-60.60	-67.98	1.40	5.68	V
									V
									V
									V
									V

Remark: Spurious emissions within 30-1000MHz were found more than 20dB below limit line.



LTE Band 12 / 10MHz / QPSK									
Channel	Frequency (MHz)	ERP (dBm)	Limit (dBm)	Over Limit (dB)	SPA Reading (dBm)	S.G. Power (dBm)	TX Cable loss (dB)	TX Antenna Gain (dBi)	Polarization (H/V)
Lowest	1400	-57.80	-13.00	-44.80	-43.94	-59.46	0.87	4.68	H
	2100	-59.71	-13.00	-46.71	-51.16	-60.59	1.17	4.20	H
	2800	-66.45	-13.00	-53.45	-60.28	-68.56	1.38	5.64	H
									H
									H
									H
									H
	1400	-59.22	-13.00	-46.22	-45.83	-60.88	0.87	4.68	V
	2100	-61.46	-13.00	-48.46	-53.25	-62.34	1.17	4.20	V
	2800	-65.66	-13.00	-52.66	-60.27	-67.77	1.38	5.64	V
									V
									V
									V
									V
Middle	1408	-61.05	-13.00	-48.05	-47.19	-62.76	0.87	4.73	H
	2112	-63.76	-13.00	-50.76	-55.21	-64.68	1.17	4.24	H
	2816	-66.57	-13.00	-53.57	-60.43	-68.68	1.39	5.65	H
									H
									H
									H
									H
	1408	-61.47	-13.00	-48.47	-48.08	-63.18	0.87	4.73	V
	2112	-63.40	-13.00	-50.40	-55.19	-64.32	1.17	4.24	V
	2816	-65.54	-13.00	-52.54	-60.20	-67.65	1.39	5.65	V
									V
									V
									V
									V
								V	



Highest	1416	-61.32	-13.00	-48.32	-47.46	-63.07	0.87	4.78	H
	2124	-62.66	-13.00	-49.66	-54.19	-63.61	1.17	4.27	H
	2832	-66.70	-13.00	-53.70	-60.59	-68.82	1.39	5.67	H
									H
									H
									H
									H
	1416	-61.47	-13.00	-48.47	-48.08	-63.22	0.87	4.78	V
	2124	-62.62	-13.00	-49.62	-54.50	-63.57	1.17	4.27	V
	2832	-65.70	-13.00	-52.70	-60.40	-67.82	1.39	5.67	V
									V
									V
									V
									V

Remark: Spurious emissions within 30-1000MHz were found more than 20dB below limit line.



LTE Band 13

LTE Band 13 / 5MHz / QPSK										
Channel	Frequency (MHz)	ERP (dBm)	Limit (dBm)	Over Limit (dB)	SPA Reading (dBm)	S.G. Power (dBm)	TX Cable loss (dB)	TX Antenna Gain (dBi)	Polarization (H/V)	
Lowest	1559	-69.29	-42.15	-27.14	-56.40	-71.34	0.94	5.13	H	
	2338.5	-67.90	-13	-54.90	-59.51	-69.42	1.24	4.91	H	
	3118	-66.05	-13	-53.05	-60.68	-68.73	1.48	6.32	H	
										H
										H
										H
										H
	1559	-69.06	-42.15	-26.91	-56.67	-71.11	0.94	5.13	V	
	2338.5	-66.56	-13	-53.56	-59.58	-68.08	1.24	4.91	V	
	3118	-65.46	-13	-52.46	-60.81	-68.14	1.48	6.32	V	
										V
										V
										V
										V
Middle	1564	-68.76	-42.15	-26.61	-55.87	-70.79	0.94	5.12	H	
	2346	-66.86	-13	-53.86	-59.47	-68.41	1.24	4.94	H	
	3128	-66.14	-13	-53.14	-60.77	-68.87	1.49	6.36	H	
										H
										H
										H
										H
	1564	-69.51	-42.15	-27.36	-57.12	-71.54	0.94	5.12	V	
	2346	-66.55	-13	-53.55	-59.57	-68.10	1.24	4.94	V	
	3128	-65.55	-13	-52.55	-60.90	-68.28	1.49	6.36	V	
										V
										V
										V
										V



Highest	1569	-68.77	-42.15	-26.62	-55.88	-70.78	0.94	5.11	H
	2353.5	-66.64	-13	-53.64	-59.34	-68.20	1.24	4.96	H
	3138	-66.04	-13	-53.04	-60.74	-68.81	1.49	6.41	H
									H
									H
									H
									H
	1569	-69.20	-42.15	-27.05	-56.81	-71.21	0.94	5.11	V
	2353.5	-66.39	-13	-53.39	-59.50	-67.95	1.24	4.96	V
	3138	-65.07	-13	-52.07	-60.46	-67.84	1.49	6.41	V
									V
									V
									V
									V

Remark: Spurious emissions within 30-1000MHz were found more than 20dB below limit line.



LTE Band 13 / 10MHz / QPSK									
Channel	Frequency (MHz)	ERP (dBm)	Limit (dBm)	Over Limit (dB)	SPA Reading (dBm)	S.G. Power (dBm)	TX Cable loss (dB)	TX Antenna Gain (dBi)	Polarization (H/V)
Middle	1564	-69.34	-42.15	-27.19	-56.45	-71.37	0.94	5.12	H
	2346	-66.85	-13	-53.85	-59.46	-68.4	1.24	4.94	H
	3128	-65.59	-13	-52.59	-60.22	-68.32	1.49	6.36	H
									H
									H
									H
									H
	1564	-68.64	-42.15	-26.49	-56.25	-70.67	0.94	5.12	V
	2346	-66.52	-13	-53.52	-59.54	-68.07	1.24	4.94	V
	3128	-65.30	-13	-52.30	-60.65	-68.03	1.49	6.36	V
									V
									V
									V
									V

Remark: Spurious emissions within 30-1000MHz were found more than 20dB below limit line.



LTE Band 41

LTE Band 41 / 5MHz / QPSK									
Channel	Frequency (MHz)	EIRP (dBm)	Limit (dBm)	Over Limit (dB)	SPA Reading (dBm)	S.G. Power (dBm)	TX Cable loss (dB)	TX Antenna Gain (dBi)	Polarization (H/V)
Lowest	4997	-62.73	-25	-37.73	-62.63	-70.09	2.34	9.69	H
	7495.5	-63.21	-25	-38.21	-67.34	-72.57	2.43	11.79	H
	9994	-60.04	-25	-35.04	-67.89	-69.55	2.70	12.20	H
									H
									H
									H
									H
	4997	-62.62	-25	-37.62	-62.32	-69.98	2.34	9.69	V
	7495.5	-63.14	-25	-38.14	-67.51	-72.5	2.43	11.79	V
	9994	-60.00	-25	-35.00	-67.79	-69.51	2.70	12.20	V
									V
									V
									V
									V
Middle	5186	-48.15	-25	-23.15	-48.98	-55.41	2.44	9.70	H
	7779	-56.00	-25	-31.00	-61.17	-65.63	2.34	11.97	H
	10372	-60.07	-25	-35.07	-68.76	-69.73	2.69	12.35	H
									H
									H
									H
									H
	5186	-45.98	-25	-20.98	-46.67	-53.24	2.44	9.70	V
	7779	-52.92	-25	-27.92	-58.38	-62.55	2.34	11.97	V
	10372	-60.17	-25	-35.17	-68.72	-69.83	2.69	12.35	V
									V
									V
									V
									V



Highest	5376	-29.96	-25	-4.96	-31.43	-37.11	2.55	9.70	H
	8052	-29.06	-25	-4.06	-34.87	-38.92	2.28	12.14	H
	10740	-40.52	-25	-15.52	-50.26	-50.28	2.69	12.45	H
	13428	-35.49	-25	-10.49	-47.87	-46.05	3.04	13.60	H
	16115	-44.05	-25	-19.05	-58.25	-53.33	4.00	13.28	H
									H
									H
	5376	-29.96	-25	-4.96	-31.48	-37.11	2.55	9.70	V
	8052	-29.25	-25	-4.25	-35.43	-39.11	2.28	12.14	V
	10740	-33.83	-25	-8.83	-43.39	-43.59	2.69	12.45	V
	13428	-38.32	-25	-13.32	-50.83	-48.88	3.04	13.60	V
	16115	-45.49	-25	-20.49	-60.38	-54.77	4.00	13.28	V
									V
									V

Remark: Spurious emissions within 30-1000MHz were found more than 20dB below limit line.



LTE Band 41 / 10MHz / QPSK									
Channel	Frequency (MHz)	EIRP (dBm)	Limit (dBm)	Over Limit (dB)	SPA Reading (dBm)	S.G. Power (dBm)	TX Cable loss (dB)	TX Antenna Gain (dBi)	Polarization (H/V)
Lowest	5004	-62.75	-25	-37.75	-62.62	-70.11	2.34	9.70	H
	7503	-63.29	-25	-38.29	-67.35	-72.66	2.43	11.80	H
	10004	-59.85	-25	-34.85	-67.6	-69.35	2.70	12.20	H
									H
									H
									H
									H
	5004	-62.85	-25	-37.85	-62.5	-70.21	2.34	9.70	V
	7503	-62.96	-25	-37.96	-67.25	-72.33	2.43	11.80	V
	10004	-59.95	-25	-34.95	-67.68	-69.45	2.70	12.20	V
									V
									V
									V
									V
Middle	5172	-53.23	-25	-28.23	-53.79	-60.49	2.44	9.70	H
	7764	-58.55	-25	-33.55	-63.46	-68.16	2.34	11.96	H
	10368	-60.04	-25	-35.04	-68.55	-69.69	2.69	12.35	H
									H
									H
									H
									H
	5172	-48.79	-25	-23.79	-49.11	-56.05	2.44	9.70	V
	7764	-53.08	-25	-28.08	-58.3	-62.69	2.34	11.96	V
	10368	-59.97	-25	-34.97	-68.41	-69.62	2.69	12.35	V
									V
									V
									V
									V



Highest	5364	-31.73	-25	-6.73	-33.35	-38.88	2.55	9.70	H
	8040	-32.19	-25	-7.19	-37.99	-42.05	2.28	12.13	H
	10728	-30.63	-25	-5.63	-40.3	-40.39	2.69	12.45	H
	13404	-31.75	-25	-6.75	-44.25	-42.28	3.03	13.57	H
	16081	-37.17	-25	-12.17	-52.28	-46.54	4.00	13.37	H
									H
									H
	5364	-29.31	-25	-4.31	-30.79	-36.46	2.55	9.70	V
	8040	-28.86	-25	-3.86	-34.97	-38.72	2.28	12.13	V
	10728	-29.02	-25	-4.02	-38.56	-38.78	2.69	12.45	V
	13404	-29.52	-25	-4.52	-41.96	-40.05	3.03	13.57	V
	16081	-33.74	-25	-8.74	-48.72	-43.11	4.00	13.37	V
									V
									V

Remark: Spurious emissions within 30-1000MHz were found more than 20dB below limit line.



LTE Band 41 / 15MHz / QPSK									
Channel	Frequency (MHz)	EIRP (dBm)	Limit (dBm)	Over Limit (dB)	SPA Reading (dBm)	S.G. Power (dBm)	TX Cable loss (dB)	TX Antenna Gain (dBi)	Polarization (H/V)
Lowest	5007	-62.91	-25	-37.91	-62.89	-70.27	2.34	9.70	H
	7510.5	-63.26	-25	-38.26	-67.45	-72.64	2.43	11.81	H
	10014	-60.09	-25	-35.09	-67.98	-69.6	2.70	12.21	H
									H
									H
									H
									H
	5007	-62.79	-25	-37.79	-62.58	-70.15	2.34	9.70	V
	7510.5	-63.04	-25	-38.04	-67.47	-72.42	2.43	11.81	V
	10014	-59.83	-25	-34.83	-67.65	-69.34	2.70	12.21	V
									V
									V
									V
									V
Middle	5171	-54.23	-25	-29.23	-54.98	-61.49	2.44	9.70	H
	7756.5	-58.67	-25	-33.67	-63.72	-68.28	2.35	11.95	H
	10342	-59.88	-25	-34.88	-68.54	-69.52	2.69	12.34	H
									H
									H
									H
									H
	5171	-49.62	-25	-24.62	-50.22	-56.88	2.44	9.70	V
	7756.5	-55.34	-25	-30.34	-60.68	-64.95	2.35	11.95	V
	10342	-60.17	-25	-35.17	-68.69	-69.81	2.69	12.34	V
									V
									V
									V
									V



Highest	5352	-30.12	-25	-5.12	-31.76	-37.28	2.54	9.70	H
	8028	-30.44	-25	-5.44	-36.31	-40.29	2.27	12.12	H
	10704	-31.27	-25	-6.27	-40.8	-41.02	2.69	12.44	H
	13380	-38.51	-25	-13.51	-51	-49.02	3.03	13.53	H
	16058	-44.24	-25	-19.24	-58.22	-53.67	4.01	13.44	H
									H
									H
	5352	-29.48	-25	-4.48	-30.8	-36.64	2.54	9.70	V
	8028	-29.48	-25	-4.48	-35.7	-39.33	2.27	12.12	V
	10704	-46.91	-25	-21.91	-56.28	-56.66	2.69	12.44	V
	13380	-42.82	-25	-17.82	-55.36	-53.33	3.03	13.53	V
	16058	-52.59	-25	-27.59	-67.58	-62.02	4.01	13.44	V
									V
									V

Remark: Spurious emissions within 30-1000MHz were found more than 20dB below limit line.



LTE Band 41 / 20MHz / QPSK									
Channel	Frequency (MHz)	EIRP (dBm)	Limit (dBm)	Over Limit (dB)	SPA Reading (dBm)	S.G. Power (dBm)	TX Cable loss (dB)	TX Antenna Gain (dBi)	Polarization (H/V)
Lowest	4992	-62.61	-25	-37.61	-62.51	-69.96	2.33	9.68	H
	7488	-63.44	-25	-38.44	-67.57	-72.78	2.43	11.78	H
	9984	-59.90	-25	-34.90	-67.72	-69.42	2.69	12.21	H
									H
									H
									H
									H
	4992	-61.55	-25	-36.55	-61.25	-68.9	2.33	9.68	V
	7488	-63.07	-25	-38.07	-67.44	-72.41	2.43	11.78	V
	9984	-59.67	-25	-34.67	-67.45	-69.19	2.69	12.21	V
									V
									V
									V
									V
Middle	5166	-50.31	-25	-25.31	-51.06	-57.58	2.43	9.70	H
	7749	-58.86	-25	-33.86	-63.91	-68.46	2.35	11.95	H
	10332	-60.40	-25	-35.40	-69.02	-70.04	2.69	12.33	H
									H
									H
									H
									H
	5166	-46.60	-25	-21.60	-47.2	-53.87	2.43	9.70	V
	7749	-55.65	-25	-30.65	-60.99	-65.25	2.35	11.95	V
	10332	-60.61	-25	-35.61	-69.1	-70.25	2.69	12.33	V
									V
									V
									V
									V



Highest	5340	-29.05	-25	-4.05	-30.53	-36.22	2.53	9.70	H
	8016	-29.64	-25	-4.64	-35.42	-39.48	2.27	12.11	H
	10680	-33.84	-25	-8.84	-43.28	-43.59	2.69	12.44	H
	13356	-47.54	-25	-22.54	-59.91	-58.02	3.02	13.50	H
	16023	-47.36	-25	-22.36	-61.18	-56.88	4.01	13.54	H
									H
									H
	5340	-30.48	-25	-5.48	-31.81	-37.65	2.53	9.70	V
	8016	-29.85	-25	-4.85	-36.1	-39.69	2.27	12.11	V
	10680	-45.77	-25	-20.77	-55.07	-55.52	2.69	12.44	V
	13356	-45.78	-25	-20.78	-59.62	-56.26	3.02	13.50	V
	16023	-54.49	-25	-29.49	-69.45	-64.01	4.01	13.54	V
									V
									V

Remark: Spurious emissions within 30-1000MHz were found more than 20dB below limit line.



Appendix D. Antenna Information

EM7455			3G & LTE	
Antenna 1	Manufacturer	Amphenol	Peak gain	2.97
	P/N	LX-7845-16-000-C	Type	PIFA
Antenna 2	Manufacturer	Speedwire	Peak gain	2.94
	P/N	F.0G.ZV-0006-001-00	Type	PIFA