

Bluetooth Headset K2 INSTRUCTIONS

Introduction ①

Introduction

Thank you for using mini super long time standby bluetooth stereo headset. Fashionable style, powerful and excellent compatibility. It makes you achieve the wonderful experience of using wireless which is your best choice while in office driving and outdoor activities.

This model can be combined "intelligent headset" with "intelligent power bank". It is the best choice for mobile phone. It's super mini not only can be used as a car bluetooth headset, also can be emergency power bank. It's convenient and portable, doesn't always to wear whole time, also can keep full battery state.

Bluetooth wireless technology

Bluetooth wireless technology allows you to connect compatible communication device without cables. The bluetooth connection does not need the phone and the headset to be in line of sight, but both devices should be within 10 meters (30-feet) without any obstructions from each other. Connections can be subjected to interference from obstructions, such as human body, walls or other electronic devices. The headset supports bluetooth V4.0 version and also supports low power bluetooth mode: HSP, HFP, A2DP, AVRCP. Multi-point, noise cancelling and iOS battery display function are also available. Consult to other devices' manufacturer to make sure if their devices are compatible with the headset.

Products Function:

- 2 in 1 bluetooth charge. Long lifetime, necessary for driving/work/outside/sport.
- Super portable bluetooth headset, intelligent answer or reject calling, super long standby time.
- Safety power bank for emergency charge
- Simple and trendy style, aluminum alloy main material
- Eye-catching LED indicator light, can show different work states
- Super compatibility up to 99% bluetooth smart device High resolution
- Stereo, excellent sound quality CVC6.0 noise cancelling, free smoothly communicate Auto back pairing connection future Last number redial function
- Super mini long standby time stereo bluetooth headset imported British high-tech CSR chip
- Optimized circuit design with overcurrent protection, short circuit protection, not to hurt the equipment.

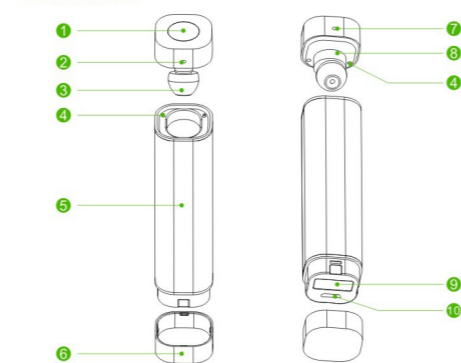
Power bank input voltage: 5V

Component:

- | | |
|-------------------------|----------------------------|
| 1. Home key | 6. Charging protector case |
| 2. LED indicator light | 7. Microphone |
| 3. Ear cap | 8. Earphone |
| 4. Metal charging point | 9. Output type-a USB |
| 5. Power bank | 10. Input micro USB |

User Manual ②

User Manual



There may be restrictions on using bluetooth technology in some locations, check with your local authorities or service providers.

Reminder: Please tear the insulating membrane protector on the earphone before using.

Turn on: When in the off working mode, keep pressing home key until blue indicator light flashes and you will hear "turn on" tone.

Turn off: when in any mode, keep pressing home key until red indicator turns on for 2 seconds and will hear "turn off" tone

Pairing: On the power off status, keep pressing home key for 5-10 seconds until red/blue indicator lights alternately flash (means on pairing), then, turn into only blue light flash means successful pairing. If just see the blue light flash on the whole operation, means the pairing failed, please turn off and re-pair again.

Set up Chinese/English Language Voice: On the red blue light quickly flash state, after hearing the pairing tone, immediately double press home key, then, can change language as you prefer.

Standby in no connection: Blue lights twice per 4 second quickly flash

Connected: Blue lights flash once per 4 seconds

Coming calls: Blue lights flash quickly.

Talking: Blue lights flash once per 4 seconds

Music: Blue lights flash once per 4 seconds

Disconnect: Blue lights twice per 4 second quickly flash

Answering: Press home key once when there is a call (if when charging on the power bank, answering when you pick up the headset)

Hang up: Press home key once when talking (or direct put into the powerbank to charge, auto hang up)

Reject Calls: Press home key about one second when call coming

Redial the last call: Double-click quickly to dial the last phone number you call

Transfer Calls: Press home key for one second in talking mode

Reconnection: Auto reconnect the paired phone once when turned on (some mobiles need to manual to reconnect on the phone)

User Manual ③

User Manual

Multi-point function operating:

- Pairing and connect with A phone.
- Turn off A phone's bluetooth function
- Pairing and connect with B phone
- Turn on A phone's bluetooth function
- Reconnect the A phone or manual to click to make sure reconnect (Please make sure the A phone have reconnect function)
- Already connect A and B phone at the same time

Chargers and batteries: Before charging the headset please check if the specification of the charger label is on accordance with the requirements. If charging voltage is too high it is very likely to damage the power bank.

Warning: Use the configured charger. Use other type of chargers may violate the recognition of equipment warranty, and could lead to danger. If there is a USB cable, it should be connected to the charger or computer which passes 3C certificate.

Recharge the bluetooth headset battery

1. Headset adopt intelligent magnet charging, means, just put it into power bank, will automatically charging. Red light turn on means charging, Red light turn off means battery full or enough. (around 1 hour to full charge)

2. When connected headset flashes in red light, it means the battery is low. In this case, if continue work, it will power off automatically, then it need to be recharged--just put into the power bank

3. Headset adopt intelligent magnetic charging, means, just put it into power bank, will automatically charging (please make sure the red light turn on, otherwise, re-put)

4. A fully charged headset can support up to 3-4Hrs talk time and 100-150Hrs standby time (depends on the headset model) while, the real talk time and standby time may be different because of different mobile phones, different use methods and different environment.

Note: On power bank charging state, the earbuds can't be charging at the same time

Recharge the power bank battery

1. Use the micro cable one side connect the configured charger and other micro side connect with the powerbank, then, charging.

2. Red indicator flash 2 second per time when charging.

3. When fully charged, the red light will keep light but no flash. Need about 2Hrs can fully charged. Red light will go off when pull out power plug

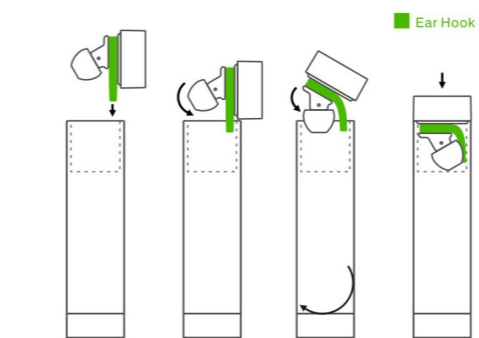
4. Red indicator will be more light when the battery lower and lower (Can see the indicator light when you take off the other side power bank cap)

5. Headset can up to 30-40Hrs total talking time and 1000Hrs standby time when the power bank full battery state. (depends on the headset model, while, the real talk time and standby time may be different because of different mobile phones, difference use methods and different environment.)

User Manual ④

Ear Hook Usage Instruction

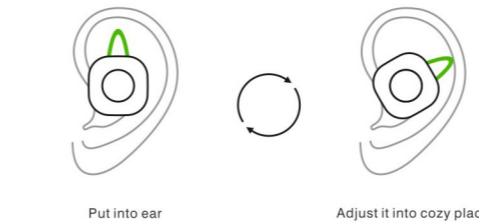
ear hook can be directly put inside power bank and can be removable



Please rotate it on the appropriate place when use it (As photo show):



Ear Hook Usage Instruction:



After sales service ⑤

User Manual

This headset adopts power bank built-in non-removable rechargeable batteries. Please do not try to take out the batteries from the headset or power bank in order to avoid damage to the headsets or power bank. When the headset or power bank is no using for a long time, please put it in a dry place with good ventilation, and recharge it every two months.

Regular problems and solutions

Problems description	Cause	Solution
Can not start	The power used up	Charge the battery fully before use
	Press home button too short	Press the home key for 3 seconds to re-start the headset
Can not charge	Plug is not placed well	Check the plug well
Can not find the headset when searching pairing devices	Not enter pairing state	Till the red/blue light flash alternately
	The headset is not in searching status	Set the headset on searching status
	Mobile phone bluetooth software error	Close the mobile phones and re-start.

After sales service

Our company provides the guarantees in strict accordance with state regulations:

The warranty period is one year.

Our products do not provide unsalable goods refund, replacement services.

When met problems when using, please contact local sales agent to deal with, for the following circumstances can not guaranteed free of charge:

- Fragile label altered tore.
- Touched by liquid, damaged by water.
- Deformed seriously by outside force.
- Damage be wrongly operation or bad reserved.
- Damage caused by accident or carelessness.
- Damage caused by commercial purpose and with non normal using conditions.
- Other situation similar to the above.

FCC Statement

This device complies with Part 15 of the FCC rules. Operation is subject to the following two conditions: 1) this device may not cause harmful interference, and 2) this device must accept any interference received, including interference that may cause undesired operation.

Note: This equipment has been tested and found to comply with the limits for a Class B digital device, pursuant to part 15 of the FCC Rules. These limits are designed to provide reasonable protection against harmful interference in a residential installation. This equipment generates uses and can radiate radio frequency energy and, if not installed and used in accordance with the instructions, may cause harmful interference to radio communications. However, there is no guarantee that interference will not occur in particular installation. If this equipment does cause harmful interference to radio or television reception, which can be determined by turning the equipment off and on, the user is encouraged to try to correct the interference by one or more of the following measures:

- Reorient or relocate the receiving antenna.
- Increase the separation between the equipment and receiver.
- Connect the equipment into an outlet on a circuit different from that to which the receiver is connected.
- Consult the dealer or an experienced radio/TV technician for help.

Changes or modifications not expressly approved by the party responsible for compliance could void the user's authority to operate the equipment.

This device is measured RF output power is less than the SAR exclusion threshold value for human head and body. Therefore, SAR test is not necessary.