

# TRED-CSB-2A

EULUM  
DESIGN



## The TRED module

The Eulum Design TRED module operates exclusively through the Casambi app (free on iOS and Android), using a Bluetooth 4.0 mesh network (BLE). The module is designed for a 120-277VAC input, 2A max. load, Trailing Edge phase dimming.

## The BLE mesh Network

The BLE mesh network operates without the need for additional controllers or gateway units and prevents the lighting system from interfering with other Bluetooth networks.

## Features of the Module include:

- Wireless Bluetooth 4.0 Mesh Network
- Free Casambi lighting control app
- Capable of loads up to 2A
- Suitable for retrofitting onto existing drivers/luminaires

### Compatible with the following loads:

- Incandescent and high voltage halogen lamps
- High quality dimmable LED & CFL lamps
- Trailing Edge Dimmable LED Drivers
- Electronic Transformers

## Eulum BLE controls

Eulum BLE controls have a range of up to 200ft (60m) in open air, combined with a wide range of easy to use lighting arrangements for all lamp types, makes the Eulum BLE control system suitable for all types of installations.



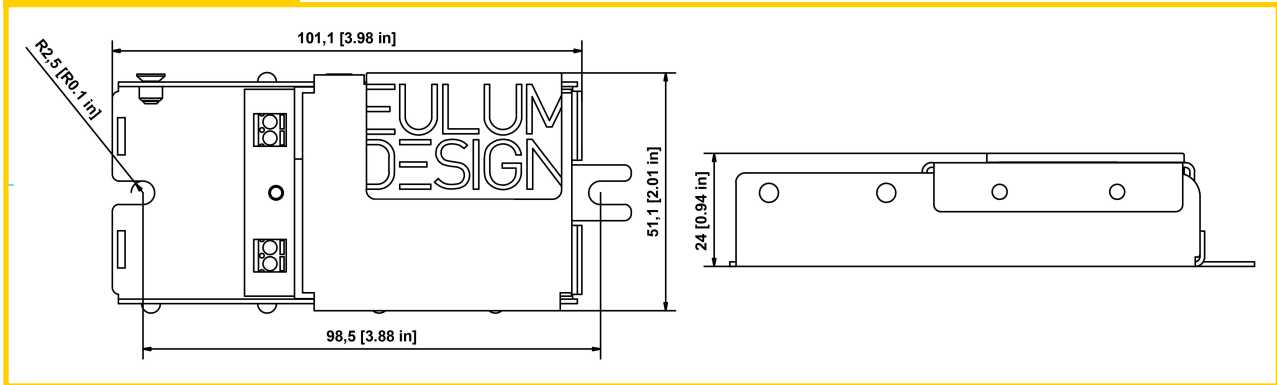
Page 1



# TRED-CSB-2A

EULUM  
DESIGN

## DIMENSIONS



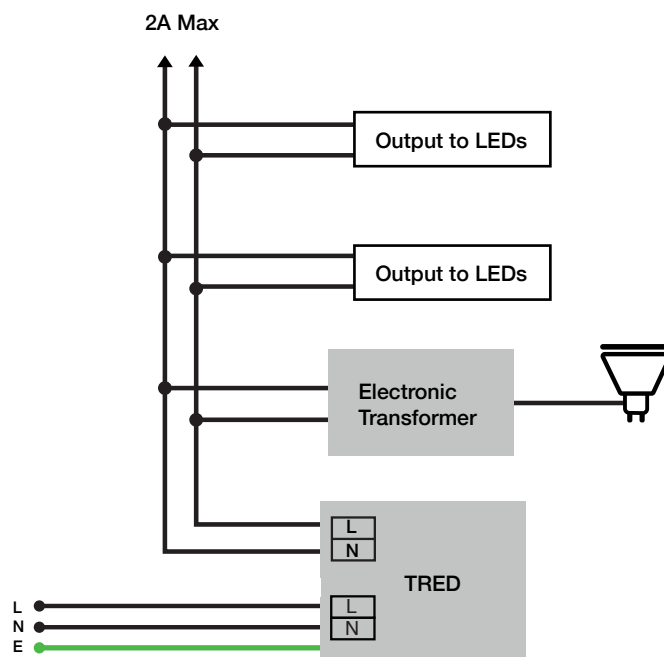
## SPECIFICATIONS

Input Power	100-277VAC, 50/60Hz, 2A Max
Input Cable	16-24AWG / 0.25-1.3sqmm, 0.5"(13mm) conduit hole
Dimming Signal	Casambi BLE Mesh
Maximum Power	240W (120V), 460W (230V), 554W (277V)
Configuration	Single Individual Addressable Output
Output Cable	16-24AWG/ 0.25-1.3sqmm, 0.5"(13mm) conduit hole
Operating Temp.	0-122°F/ 0-50°C
Dimensions	3.98" x 2.01" x 0.94" / 101.2mm x 51.1mm x 24mm
Device Specification	iPhone 4S / iPad 3 or later, Android 5.0 Lollipop with full Bluetooth support
Standards	FC CE



# TRED-CSB-2A

## WIRING DETAILS



## PRODUCT CODES

TRED-CSB-2A

100-277VAC Input, Wireless Casambi Bluetooth Control - 2A Max Load

### Notes:

- Suitable for use in dry locations only, IP20
- Dimming module should be installed by a qualified electrician
- Download Casambi app ensuring device compatibility
- Never connect inductive loads such as iron core transformers. This could permanently damage the dimmer.



# TRED-CSB-2A

## WARNING



All devices should always be disconnected from the mains power supply and verify its absence prior to installation/ maintenance.



**WARNING: Hazardous voltages and risk of electric shock or fire: only qualified professionals should install the connections.**

## FCC STATEMENT

### (1) All Products :

changes or modifications not expressly approved by the party responsible for compliance could void the user's authority to operate the equipment.

This device complies with Part 15 of the FCC Rules. Operation is subject to the following two conditions:

- this device may not cause harmful interference, and
- this device must accept any interference received, including interference that may cause undesired operation.

### (2) Class B :

Note: This equipment has been tested and found to comply with the limits for a Class B digital device, pursuant to Part 15 of the FCC Rules. These limits are designed to provide reasonable protection against harmful interference in a residential installation. This equipment generates, uses, and can radiate radio frequency energy, and if not installed and used in accordance with the instructions, may cause harmful interference to radio communications. However, there is no guarantee that interference will not occur in a particular installation. If this equipment does cause harmful interference to radio or television reception, which can be determined by turning the equipment off and on, the user is encouraged to try to correct the interference by one or more of the following measures:

- Reorient or relocate the receiving antenna.
- Increase the separation between the equipment and receiver.
- Connect the equipment into an outlet on a circuit different from that to which the receiver is connected.
- Consult the dealer or an experienced radio/TV technician for help.

### (5) FCC 20cm Statement

This equipment complies with FCC radiation exposure limits set forth for an uncontrolled environment. This equipment should be installed and operated with a minimum distance of 20cm between the radiator & your body. This transmitter must not be co-located or operating in conjunction with any other antenna or transmitter.

