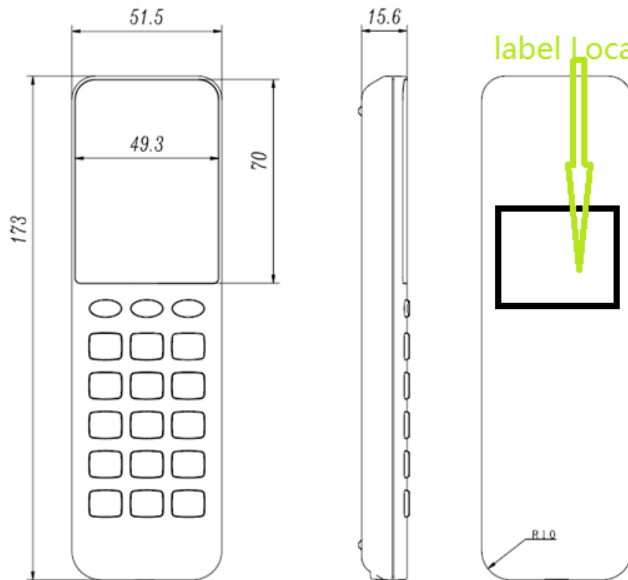


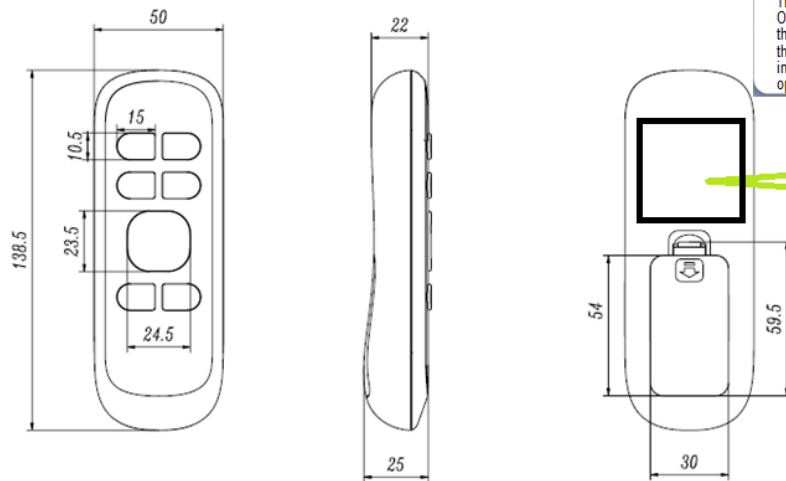
标签尺寸: 46 * 23 mm

HJH72:



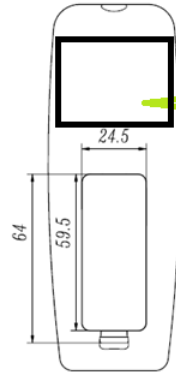
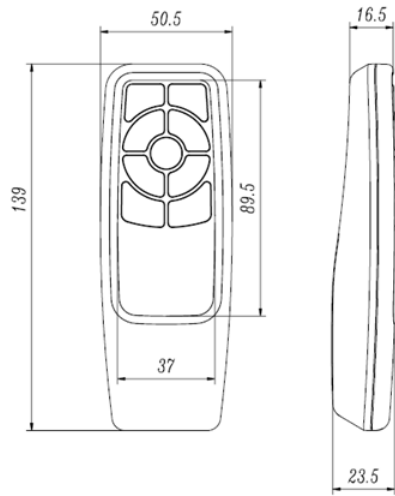
Richmat SN:2018010400001
Model:HJH72
Contains FCC ID:2AJJGHJCO
This device complies with Part 15 of the FCC Rules.
Operation is subject to the following two conditions: (1) this device may not cause harmful interference, and (2) this device must accept any interference received, including interference that may cause undesired operation.

HJH83:



Richmat SN:2018010400001
Model:HJH83
Contains FCC ID:2AJJGHJCO
This device complies with Part 15 of the FCC Rules.
Operation is subject to the following two conditions: (1) this device may not cause harmful interference, and (2) this device must accept any interference received, including interference that may cause undesired operation.

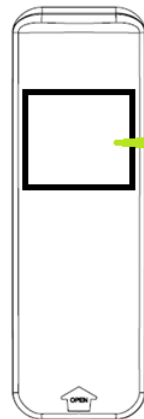
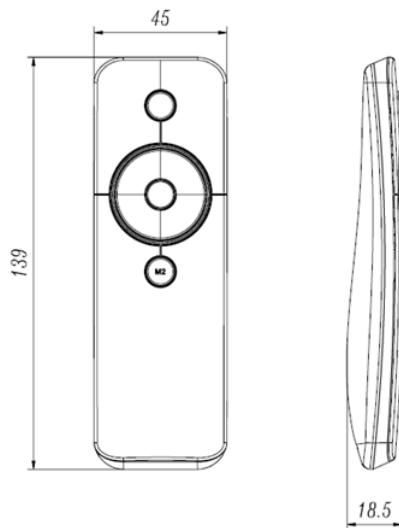
HJH86:



Richmat SN:2018010400001
Model:HJH86
Contains FCC ID:2AJJGHJCO
This device complies with Part 15 of the FCC Rules.
Operation is subject to the following two conditions: (1) this device may not cause harmful interference, and (2) this device must accept any interference received, including interference that may cause undesired operation.

label location

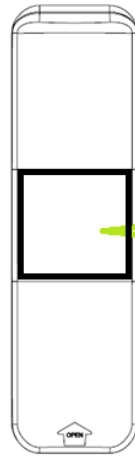
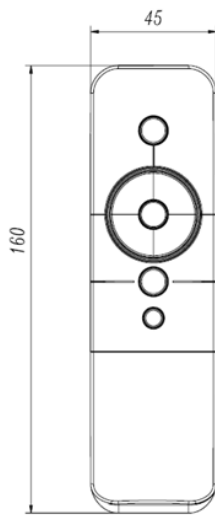
HJH85:



Richmat SN:2018010400001
Model:HJH85
Contains FCC ID:2AJJGHJCO
This device complies with Part 15 of the FCC Rules.
Operation is subject to the following two conditions: (1) this device may not cause harmful interference, and (2) this device must accept any interference received, including interference that may cause undesired operation.

label location

HJH86B:



Richmat

SN:2018010400001

Model:HJH86B

Contains FCC ID:2AJJGHJCO

This device complies with Part 15 of the FCC Rules. Operation is subject to the following two conditions: (1) this device may not cause harmful interference, and (2) this device must accept any interference received, including interference that may cause undesired operation.

label location