

**Richmat 豪江**

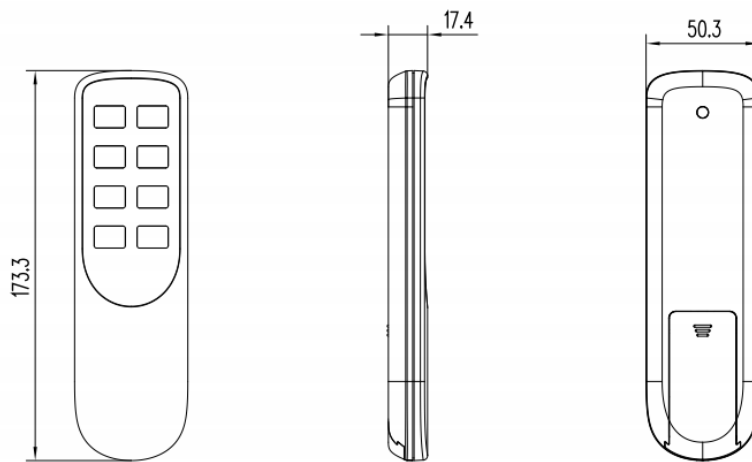
**HANDSET  
HJH124 Ble**



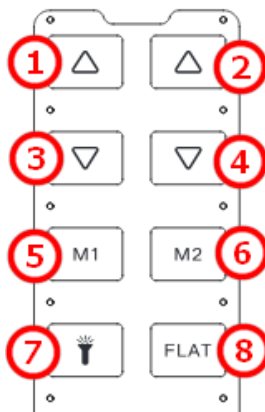
## 1. Remark:

1. Radio frequency handset
2. 2x1.5V batteries
3. Effective distance: within 5m
4. Frequency range: 2.402GHz-2.48GHz.

## 2. Dimension:(mm)



## 3. Remote control button diagram



## 4.Remote control function description

Button label	function
1	The head motor extends.
2	The foot motor extends.
3	The head motor retracts.
4	The foot motor retracts.
5	The motor runs to the M1 position (with an initial value) with one key. Multiplexing function: flashlight + M1, the backlight flashes twice, entering the one-key release mode can reset the memory positions of M1 and M2 to the factory default settings at the same time.
6	The motor runs to the M2 position with one key (there is an initial value).
7	Press the flashlight to light up and automatically turn off after 15s. Multiplexing function: press and hold the flashlight button for 5 seconds, the backlight flashes, release the flashlight, press M1 or M2 within 2 seconds, the control box "beep beep beep" will memorize the current position, if not press M1 or within 2 seconds M2 exits the edit memory position mode;
8	FLAT one-key reset, all motors retract to the minimum stroke position (not reset after power-on). Multiplexing function: press FLAT and flashlight at the same time for 3s, the backlight flashes 3 times, and enter the continuous pressing mode at this time.
Note: Press any button for more than 50s, the remote control will enter sleep, release it and press it again to resume the function. The one-key release mode can follow the synchronization, and the continuous pressing mode does not follow the synchronization.	

**Caution:**

This device complies with Part 15 of the FCC Rules. Operation is subject to the following two conditions: (1) this device may not cause harmful interference, and (2) this device must accept any interference received, including interference that may cause undesired operation.

Changes or modifications not expressly approved by the party responsible for compliance could void the user's authority to operate the equipment.

This equipment has been tested and found to comply with the limits for a Class B digital device, pursuant to part 15 of the FCC Rules. These limits are designed to provide reasonable protection against harmful interference in a residential installation. This equipment generates uses and can radiate radio frequency energy and, if not installed and used in accordance with the instructions, may cause harmful interference to radio communications. However, there is no guarantee that interference will not occur in a particular installation. If this equipment does cause harmful interference to radio or television reception, which can be determined by turning the equipment off and on, the user is encouraged to try to correct the interference by one or more of the following measures:

- Reorient or relocate the receiving antenna.
- Increase the separation between the equipment and receiver.
- Connect the equipment into an outlet on a circuit different from that to which the receiver is connected.
- Consult the dealer or an experienced radio/TV technician for help.