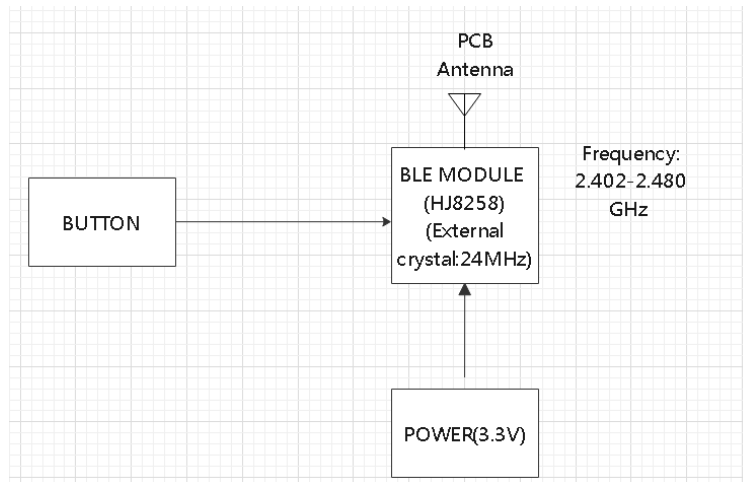


## HJH55B Ble    Ble remote control product description



The HJH55B Ble remote control is mainly used for the control of household electric bed products to realize wireless control of the motor.

The remote control has a built-in low-power Bluetooth module, crystal frequency 24MHz, working frequency range: 2.402-2.48GHz, modulation method GFSK, PCB antenna, gain 3dBi. Built-in DC-DC step-down circuit, low standby power consumption, can easily realize the wireless control of the product.