

Richmat 豪江

Control box

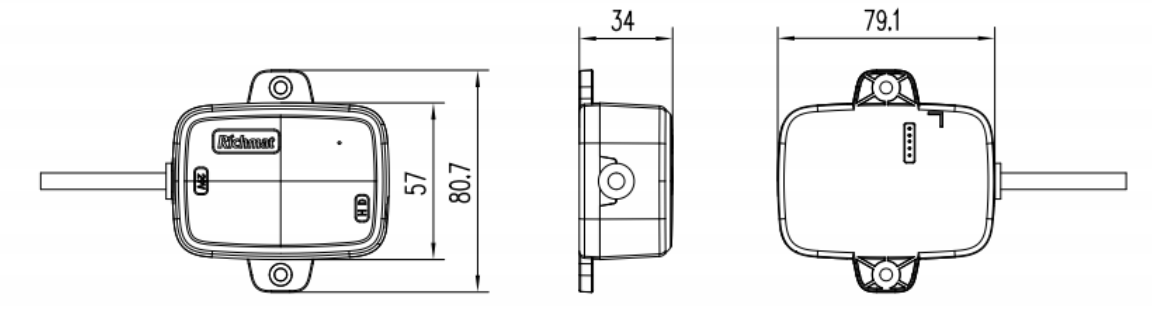
HJC53 Ble



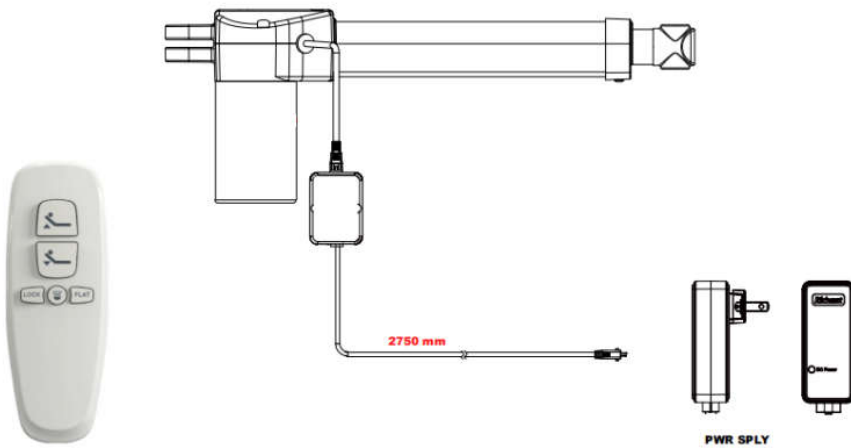
Remark:

1 motors
BLE control available
Color: black

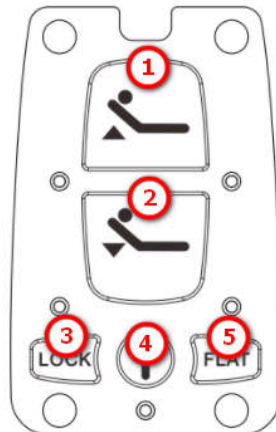
Dimension:(mm)



3.System configuration diagram



4. Remote control button diagram



5. Remote control function description

Button label	function
1	Press the button, the motor extends, release it to stop.
2	Press the button, the motor retracts, release it to stop.
3	Press the button for about 3 seconds, the backlight flashes, and press other keys at this time, the backlight flashes, and the remote control is locked. Press the button again for about 3 seconds, the backlight flashes, press other buttons at this time, the button resumes work.
4	Flashlight on/off. Press the button to turn on the flashlight (default 30s). Press any button within 30 seconds to turn off the flashlight.
5	One button reset: the motor runs to the horizontal position with one button
Coding method: Keep pressing the buttons (3, 5) of the remote control until the backlight flashes, clear the remote control code matching information, power on the control box, the control box will be in the code matching state within 60s, keep pressing the head up and head down of the remote control The backlight of the buttons (1, 2) flashes, and the buzzer sounds, indicating that the code matching is completed.	
Remark: 1. In the unlocked and locked state, press any button for about 50 seconds, the backlight will go out and enter the dormant state, press any button again to release the dormant state. The control box does not reset after power-on.	

Caution:

This device complies with Part 15 of the FCC Rules. Operation is subject to the following two conditions: (1) this device may not cause harmful interference, and (2) this device must accept any interference received, including interference that may cause undesired operation.

Changes or modifications not expressly approved by the party responsible for compliance could void the user's authority to operate the equipment.

This equipment has been tested and found to comply with the limits for a Class B digital device, pursuant to part 15 of the FCC Rules. These limits are designed to provide reasonable protection against harmful interference in a residential installation. This equipment generates uses and can radiate radio frequency energy and, if not installed and used in accordance with the instructions, may cause harmful interference to radio communications. However, there is no guarantee that interference will not occur in a particular installation. If this equipment does cause harmful interference to radio or television reception, which can be determined by turning the equipment off and on, the user is encouraged to try to correct the interference by one or more of the following measures:

- Reorient or relocate the receiving antenna.
- Increase the separation between the equipment and receiver.
- Connect the equipment into an outlet on a circuit different from that to which the receiver is connected.
- Consult the dealer or an experienced radio/TV technician for help.