

Richmat 豪江

Control box

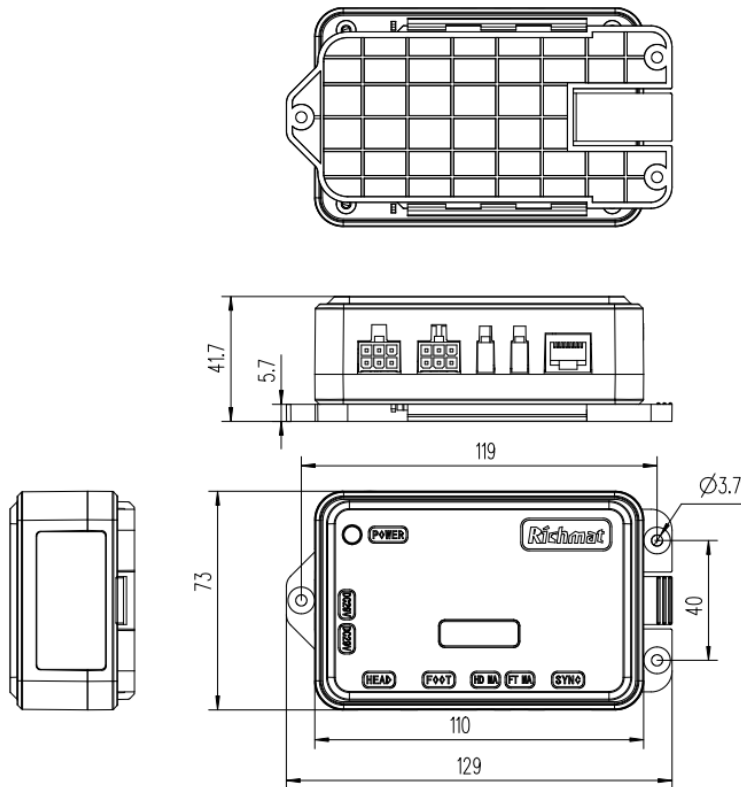
HJC25C



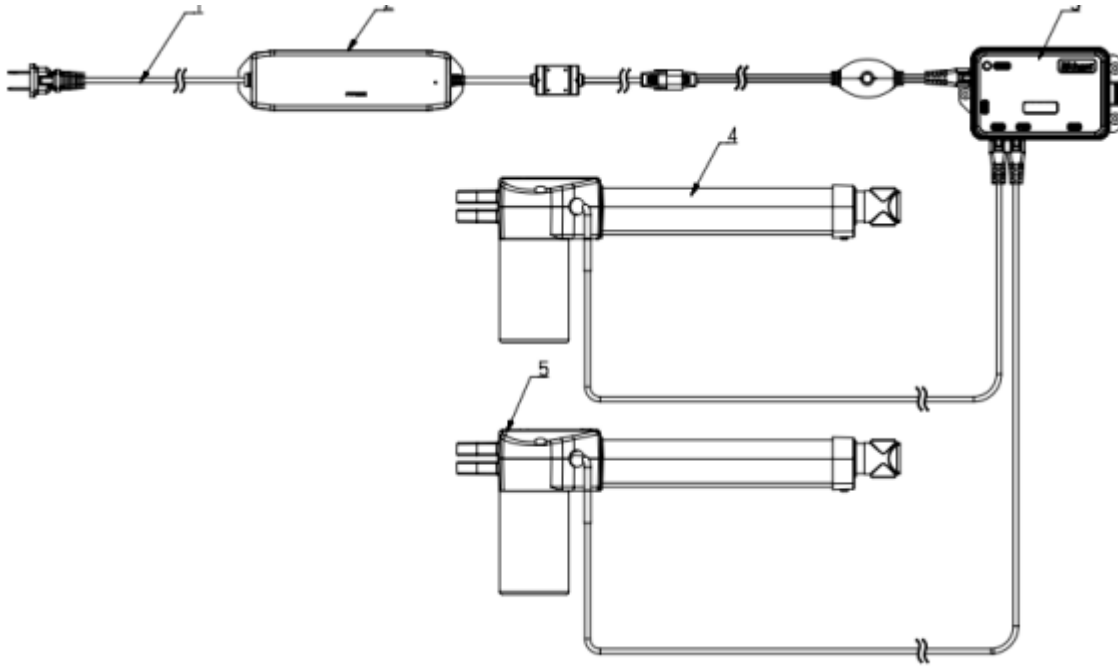
1.Remark:

Up to 2 motors
BLE control available
Memory function
Color: black

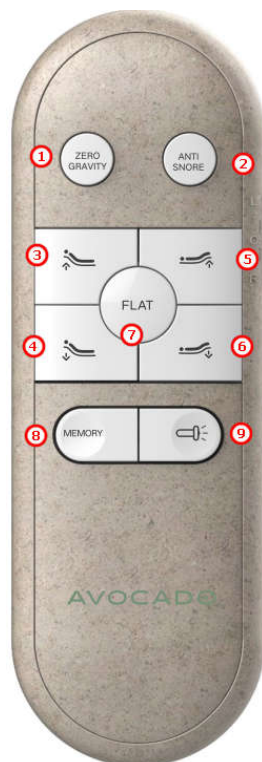
2.Dimension:(mm)



3. System configuration diagram



4. Remote control button silicone diagram



5.Remote control function description

Button label	Function
1	The motor runs to the ZG position with one key (there is an initial value). Alternate function: Press FLAT+ZG, the indicator light flashes, the buzzer sounds, and the current motor position is recorded to ZG. (Clear after power failure)
2	The motor runs to the SNORE position (with an initial value) with one key. Alternate function: Press FLAT+SNORE, the indicator light flashes, the buzzer sounds, and the current motor position is recorded in SNORE. (Clear after power failure)
3	The head motor extends.
4	The head motor retracts.
5	The foot motor extends.
6	The foot motor retracts.
7	One-key reset, the motor runs to the minimum stroke. Power-on reset.
8	The motor runs to the M1 position with one key (no initial value). Alternate function: Press FLAT+M1, the indicator light flashes, the buzzer sounds, and the current motor position is recorded to M1. (Not cleared after power failure)
9	Flashlight on/off.
Coding method: [Remote control head rise + foot rise (3, 5) + control box code matching key] The buzzer sounds and the indicator light flashes, indicating successful code matching (The control box has a reset function for the code key)。	

Precautions:

To protect the reliability and safety of the motor and control box, do not switch the keys frequently.

Caution:

This device complies with Part 15 of the FCC Rules. Operation is subject to the following two conditions: (1) this device may not cause harmful interference, and (2) this device must accept any interference received, including interference that may cause undesired operation.

Changes or modifications not expressly approved by the party responsible for compliance could void the user's authority to operate the equipment.

This equipment has been tested and found to comply with the limits for a Class B digital device, pursuant to part 15 of the FCC Rules. These limits are designed to provide reasonable protection against harmful interference in a residential installation. This equipment generates uses and can radiate radio frequency energy and, if not installed and used in accordance with the instructions, may cause harmful interference to radio communications. However, there is no guarantee that interference will not occur in a particular installation. If this equipment does cause harmful interference to radio or television reception, which can be determined by turning the equipment off and on, the user is encouraged to try to correct the interference by one or more of the following measures:

- Reorient or relocate the receiving antenna.
- Increase the separation between the equipment and receiver.
- Connect the equipment into an outlet on a circuit different from that to which the receiver is connected.
- Consult the dealer or an experienced radio/TV technician for help.