

TP4-022 PS4 Controller Bluetooth Keyboard

Product Name:PS4 Controller Bluetooth Keyboard

No.:20151029

Model: TP4-022

Version:A1.0

Product Features:

- 1.Designed for PS4 controller, It is compatible with PS4 controller perfectly, and it can input letters and symbols easily and conveniently.
- 2.The wireless keyboard can be used to input letters and symbols so as to have a better experience of chatting, voice function, surfing, searching games, playing games and so on. This product is compatible with any versions of PS4 controller, and easy to install and dismantle.
- 3.While charging the wireless keyboard, the PS4 controller can be charged too.

Images:

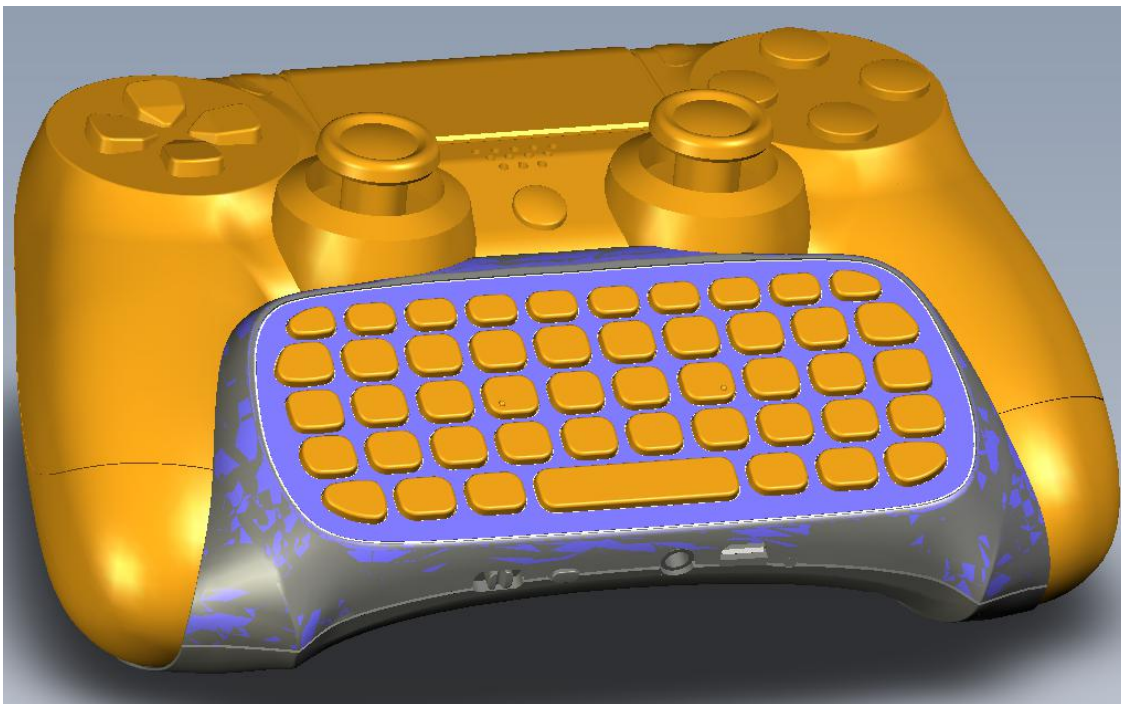


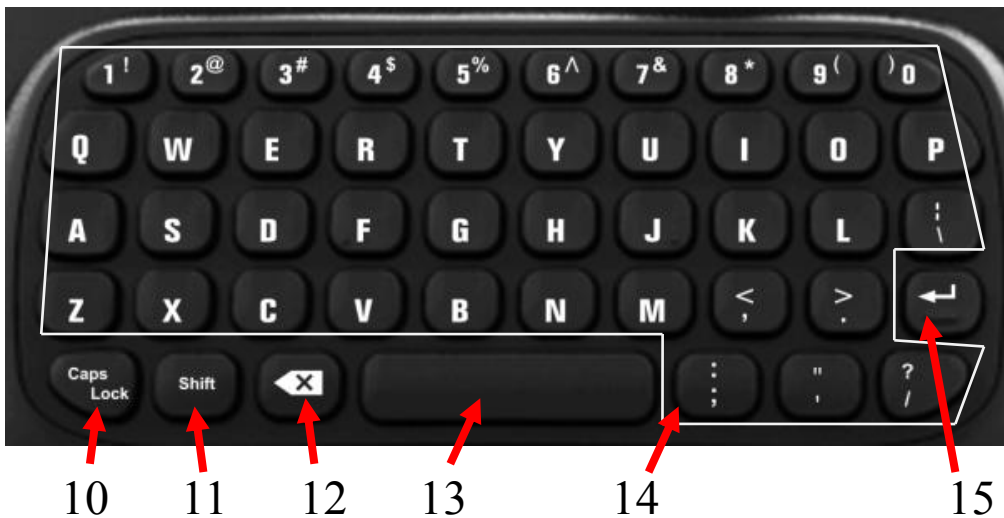
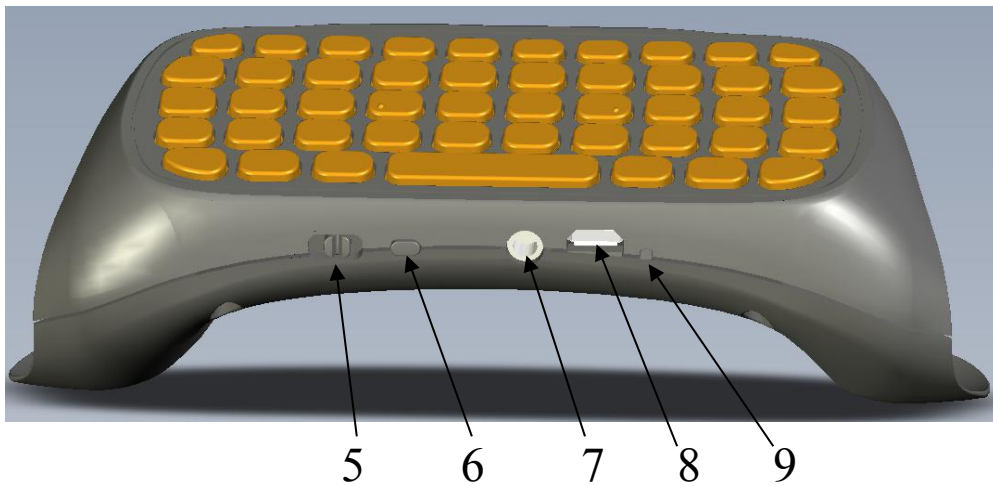
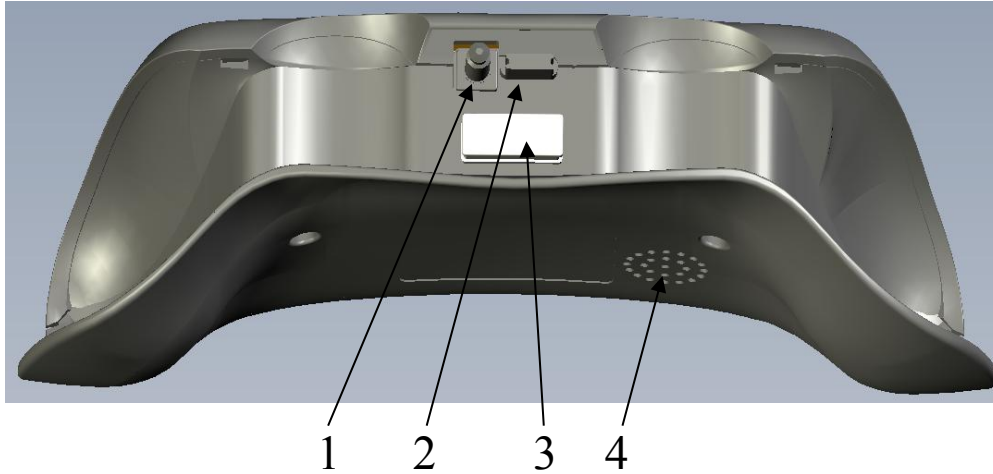
图 1

Measure:

140*70*46mm

Function sketch map:

The relevant function of different parts are as follows.




- 1、 Controller audio connector
- 3、 2.4G receiver port

- 2、 controller charging port
- 4、 loudspeaker

- | | |
|-----------------------------|-------------------------------|
| 5、 3 in 1 gear voice-on-off | 6、 Match code key |
| 7、 3.5 audio output port | 8、 MICRO USB charging port |
| 9、 Red/Blue indicator | 10、 Caps lock |
| 11、 Shift key | 12、 Delete key |
| 13、 Space key | 14、 alphabetic characters key |
| 15、 Enter key | |

Guideline:

- 1、 Firstly, connect the PS4 console to power supply, and connect HDMI cable with screen.
Then turn on the PS4 console and the power light will be on.
- 2、 Adjust the switch of keyboard to “ON” to turn on the wireless keyboard, the blue LED will twinkle once.
- 3、 After putting the keyboard together with the PS4 controller, please insert the 2.4G receiver into the PS4 console USB port, and press the match code key within 15 seconds. At this time the match code blue light will flash and match automatically.(Note: Make sure the matching distance is within 0.5m; if match failed, please repeat the steps.)
- 4、 When pairing successfully, the blue light will be off.
- 5、 Once the wireless keyboard is connected to the 2.4 G receiver, the wireless keyboard can be used directly next time when turn on it and do not need to reconnect them again.
- 6、 The controller’s sound can be played by the Bluetooth keyboard’s loudspeaker when connect the keyboard to PS4 original controller by the 3.5 audio jack, and put the power key at the station of Speaker.  .
- 7、 When the connection is broken, the keyboard will enter into sleeping mode automatically, by pressing any key, it will reconnect again; if automatic connection failed, please restart the keyboard and reconnect them again.

- 8、 Press the key of shift and the needed symbol key at the same time, you can key the relevant symbols you want.
- 9、 Press the key of Caps Lock one time, lock in the capital input; then it will back to lowercase input when press it again.
- 10、 When the blue light continuous flash slowly, it means the built-in lithium battery is in lower power, please charge the bluetooth keyboard; while charging, the red light will be on all the time, then the light will be off when charging finished.
- 11、 Please turn off the product if do not use the it, so as to save power.
- 12、 If do not use the product for a long time, please charge it at least once every two months, so as to prolong the battery's life.

Technical Parameters:

1. Applicable scope: PS4 controller
2. Wireless Protocol: 2.4G
3. Working Range: 8-10m
4. Working Current: 0.8mA(when a key was pressed)
5. Working current: 8uA(at the gear of ON, but do not press the keys)
6. Weight:
7. Product Size: 140*70*46mm
8. Material: ABS

precautions:

In order to help users operate this product properly and make sure the product is in good condition, please read and follow with the following notes:

- Do not seriously bump the product.
- Keep the product away from benzene, thinner and other chemicals.
- Keep away from strong magnetic field, electric field.
- Please keep away from the direct ray or heating apparatus.
- Do not dismantle, repair or remould it by yourself.
- Discarded package, battery, disused electronic products shall be classified properly.

FCC STATEMENT :

This device complies with Part 15 of the FCC Rules. Operation is subject to the following two conditions:

- (1) This device may not cause harmful interference, and
- (2) This device must accept any interference received, including interference that may cause undesired operation.

Warning: Changes or modifications not expressly approved by the party responsible for compliance could void the user's authority to operate the equipment.

NOTE: This equipment has been tested and found to comply with the limits for a Class B digital device, pursuant to Part 15 of the FCC Rules. These limits are designed to provide reasonable protection against harmful interference in a residential installation. This equipment generates uses and can radiate radio frequency energy and, if not installed and used in accordance with the instructions, may cause harmful interference to radio communications. However, there is no guarantee that interference will not occur in a particular installation. If this equipment does cause harmful interference to radio or television reception, which can be determined by turning the equipment off and on, the user is encouraged to try to correct the interference by one or more of the following measures:

- Reorient or relocate the receiving antenna.

- Increase the separation between the equipment and receiver.

- Connect the equipment into an outlet on a circuit different from that to which the receiver is connected.

- Consult the dealer or an experienced radio/TV technician for help.