

## WM760 Antenna

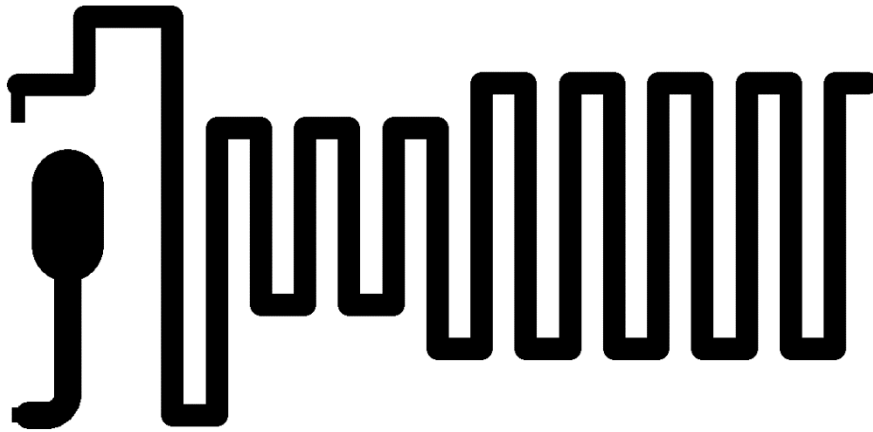
Features:

1. small-size PCB antenna with the size of 31.2X9.7X1.6;
2. low energy loss and high antenna efficiency;
3. high stability in the presence of temperature and humidity changes;

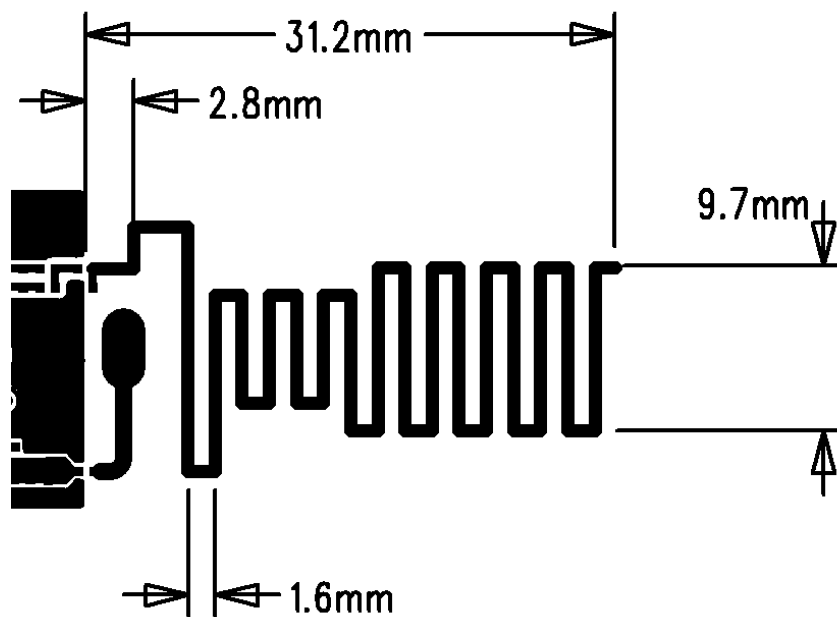
Applications:

1. antenna application in the frequency band of NB-IoT B5 B8;
2. antenna application in the frequency band of Lora 915M 868M 490M 433MHz;
3. antenna application in the frequency band of Sub-1g 915M 868M 490M 433MHz;
4. antenna application in the UHF band of 400M-800M;

Structure:

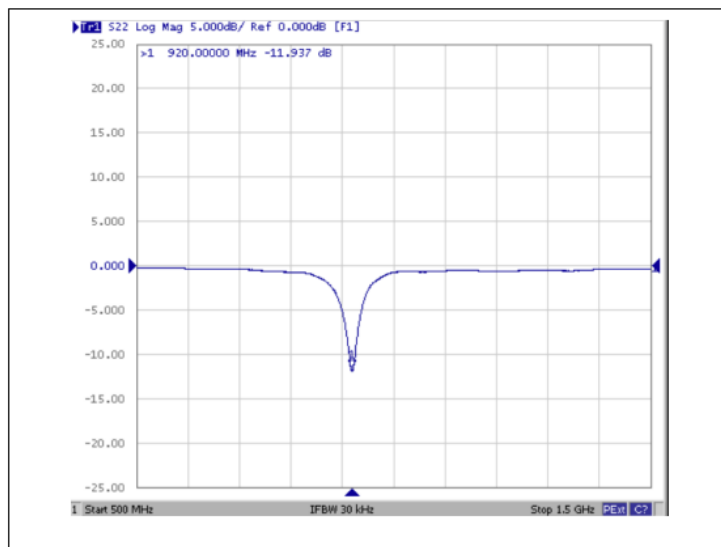


Three Views

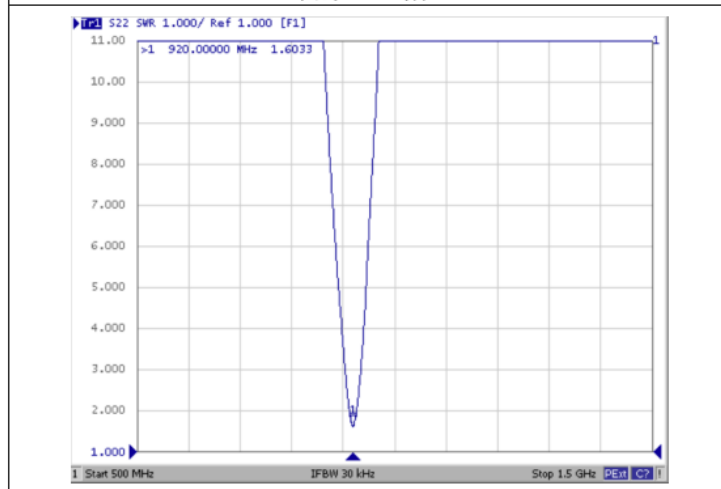


## Electronic Characteristics

1. operating frequency range: 400MHz-960MHz;
2. initial frequency band: 950MHz;
3. bandwidth: > 80MHz;
4. impedance:  $50\Omega$ ;
5. gain: -1dBi;
6. VSWR: <2;
7. operating temperature:  $-40^{\circ}\text{C}+85^{\circ}\text{C}$ ;
8. rated power: 4W;



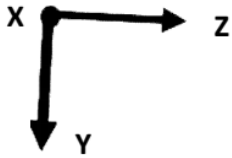
天线 VSWR 特性



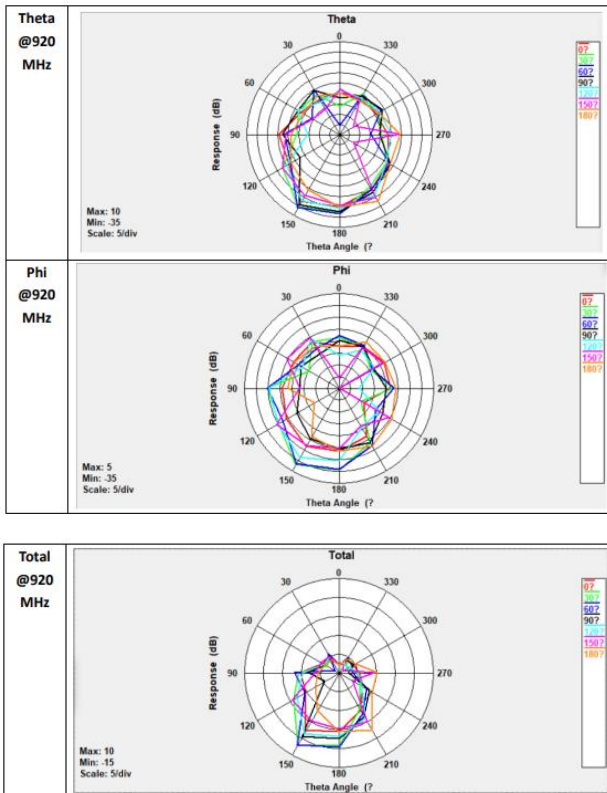
Gain and Efficiency (bandwidth: 660MHz-679.5MHz)



+



1. peak gain: -0.5dBi;
2. in-band gain range: -2dBi~-0.5dBi;
3. peak efficiency: 39.5%;
4. in-band average efficiency: 28.7%;
5. in-band efficiency range: 12.3%-39.5%;



Manufacturer: Shenzhen Shiya Industrial Complex., LTD.