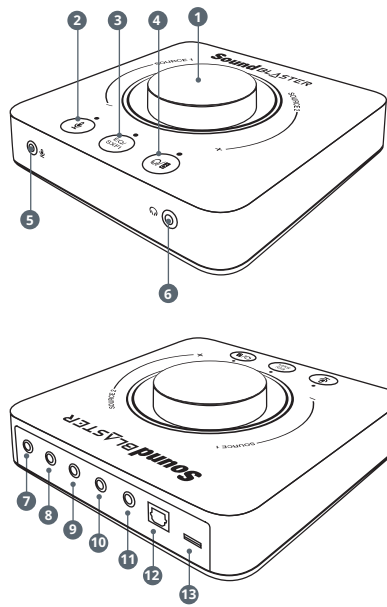


使用产品前请阅读使用说明
 Model No. / 型號 / 型号: SB1810 声霸卡(耳机放大器) / 聲霸卡(耳機放大器)
 产品认证标准: GB13837, GB17625.1, GB8898, eg in SB1770

PN 035B18100000 RevA

EN. You need to provide this serial number if you require technical support for this product.
 FR. Vous devez fournir ce numéro de série si vous avez besoin d'assistance technique pour ce produit.
 DE. Diese Seriennummer wird im Bedarfsfall vom technischen Kundendienst für das Produkt abgefragt.
 ES. Si necesita asistencia técnica para este producto, tendrá que proporcionar este número de serie.
 PL. W razie korzystania z pomocy technicznej odnośnie tego produktu, muszą Państwo podać ten numer.
 CZ. Toto výrobní číslo musíte uvést, budete-li požadovat k výrobku technickou podporu.
 SK. V prípade potreby získať technickú podporu ohľadne tohto výrobku budete toto sériové číslo potrebovať.
 RU. Если вам потребуется техническая поддержка по изделю, необходимо будет указать серийный номер.
 JP. テクニカルサポートを受ける際に、シリアル番号が必要となりますので、シリアル番号ラベルを上部のシリアル番号欄に貼り付け(貼り付けた状態でご出荷されている場合もあります)、本書を大切に保管してください。
 KR. 제품의 기술 지원이 필요할 경우 이 일련 번호를 제공해야 합니다.
 CS. 今後若需要技术支持服务,您还需提供此序列号。
 CT. 今後若需要技術支持服務,您還需提供此序列號。

1. Overview

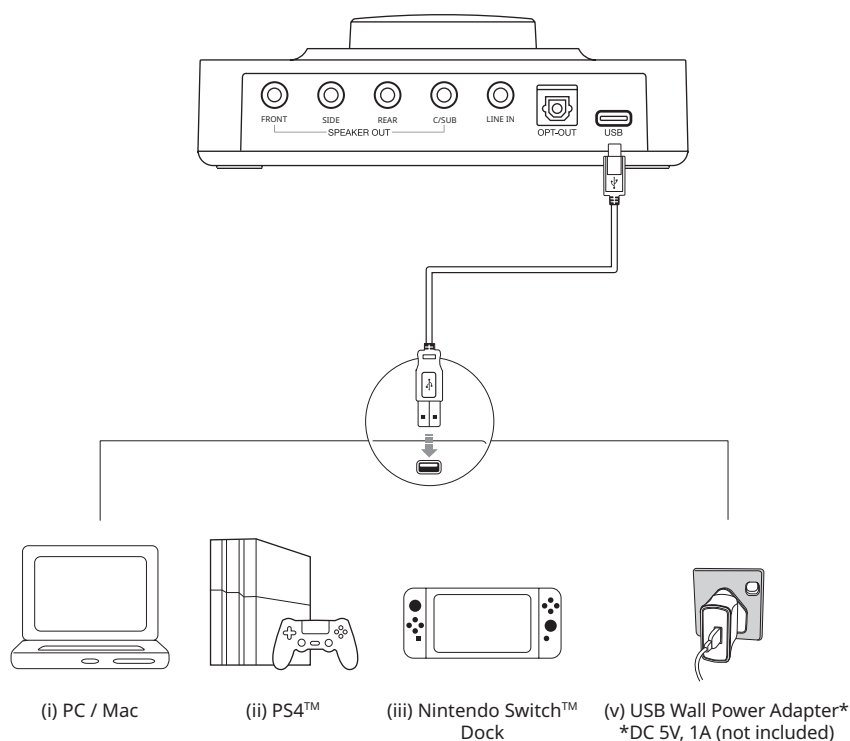


- A) Front View**
 (1) Volume Control Knob
 (2) Microphone Control Button
 (3) EQ / SXFI Button
 (4) Audio Output Button
 (5) Microphone-in (Mono)
 (6) Headphone-out

- B) Back View**
 (7) Front-out (L / R)
 (8) Side-out (L / R)
 (9) Rear-out (L / R)
 (10) Center / Subwoofer
 (11) Line-in
 (12) Optical-out
 (13) USB Type-C Port

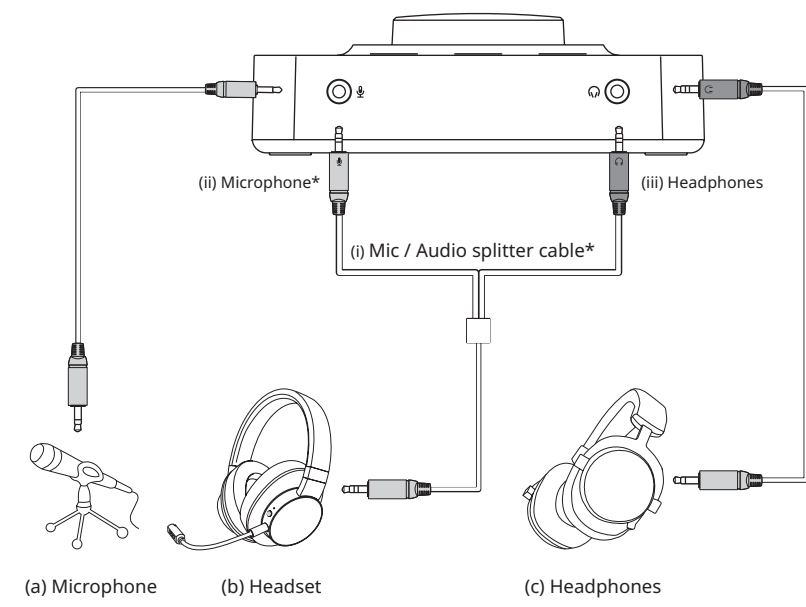
Wireless Type: Bluetooth Low Energy (BLE)
 Operating RF range: 2402-2480 MHz
 Max. RF Output Power: 4dBm
 Input: 5V --- 1A

2. Powering The Device



- (i) PC / Mac (ii) PS4™ (iii) Nintendo Switch™ (iv) USB Wall Power Adapter*
 *DC 5V, 1A (not included)

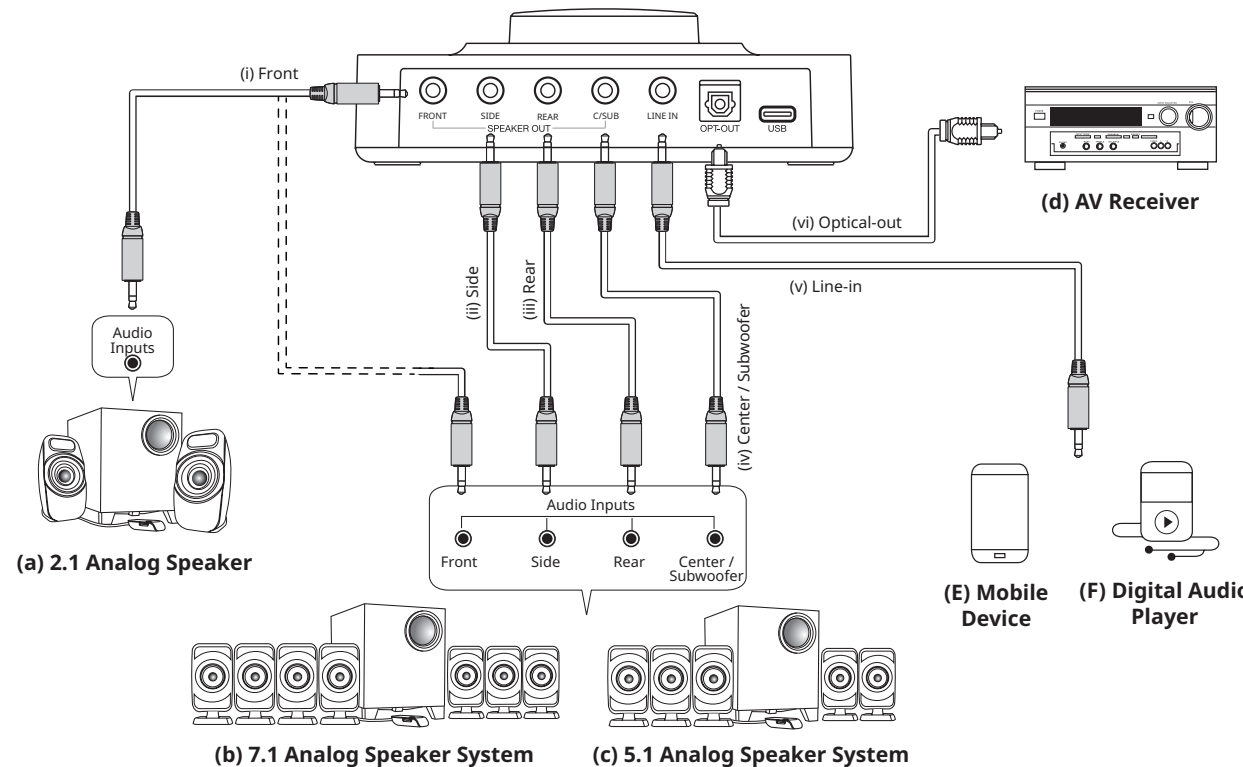
3. Connecting Headphones / Headset and Microphone



- (a) Microphone (b) Headset (c) Headphones

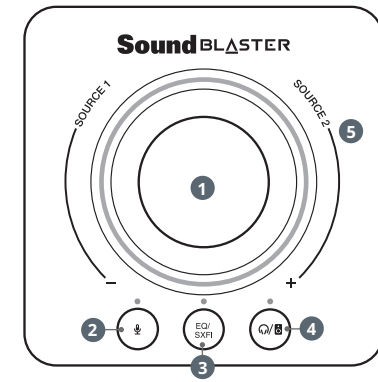
*Cables not included

4. Connecting Speakers and Other Peripherals



- (a) 2.1 Analog Speaker (b) 7.1 Analog Speaker System (c) 5.1 Analog Speaker System
 (i) Front (ii) Side (iii) Rear (iv) Center / Subwoofer (v) Line-in (vi) Optical-out
 (E) Mobile Device (F) Digital Audio Player

5. Button Functions and LED Indicators



3 EQ / SXFI Button	
Press once to toggle between Super X-Fi / EQ Presets / Off	
ORANGE	Super X-Fi - Off
GREEN	Super X-Fi - On
WHITE	Dialog Enhancer - EQ Preset 1
PURPLE	Dynamics Enhancer - EQ Preset 2
BLUE	Footstep Enhancer - EQ Preset 3
OFF	Direct Mode

1 Volume Control Knob	
Turn the knob left / right to decrease / increase playback's, microphone's or Audio Balance's volume.	
BLUE	Playback Volume
RED	Microphone Volume

4 Audio Output Button	
Press once to switch between headphone and speaker output. In headphone mode, press and hold to switch between Normal and High Gain.	
GREEN	Headphone Output (Normal Gain)
ORANGE	Headphone Output (High Gain)
BLUE	Speaker Output

2 Microphone Control Button	
Press once to switch to Mic control. Use Volume Control Knob to control Mic Input Level. Press on the Volume Control Knob once to mute Mic monitoring. Press and hold to activate / deactivate Audio Balance feature.	
LED OFF	Mic Input / Monitoring Level - Off
RED	Mic Input / Monitoring Level - On
GREEN	Audio Balance - On

5 Audio Balance	
Press and hold the Microphone Control Button for 2 secs to enable / disable Audio Balance. Subsequently, press the Volume Control Knob once to reset the balance.	
GREEN	Audio Balance - On
BLINKING ORANGE	Audio Source 1 - Max
BLINKING CYAN	Audio Source 2 - Max

6. Software Download

Unlock your Sound Blaster X3 with Sound Blaster Command software. Download the software and its user manual at creative.com/support/sbx3.

Sound Blaster Command

iOS and Android
 Control your Sound Blaster X3 even when connected to your console! Simply download the **Sound Blaster Command** app from the App Store or Google Play Store to start.

Mac
 Download **Sound Blaster Command** software from the Mac App Store to enjoy complete control of your audio experience on the Sound Blaster X3.

Windows
 Download **Sound Blaster Command** from creative.com/support/sbx3 to enjoy complete control of your audio experience on the Sound Blaster X3.

- With **Sound Blaster Command**, you can:
- Experience professionally-tuned audio presets for gaming, movies and music
 - Personalize audio effects with Sound Blaster Acoustic Engine
 - Set up speakers and headphones' configuration
 - Adjust playback and recording settings

*Sound Blaster Acoustic Engine is available on PC and Mac only

7. Setting Up Super X-Fi

1. Download **SXFI App** on your mobile device and register for an account
2. Personalize a Super X-Fi profile by completing the Head and Ear Mapping profile in the SXFI App
3. Load the Super X-Fi profile onto Sound Blaster X3 by signing into your account on Sound Blaster Command
4. Visit creative.com/sxfi to learn more

FR

1. Présentation
A) Front View
 (1) Volume Control Knob
 (2) Microphone Control Button
 (3) EQ / SXFI Button
 (4) Audio Output Button
 (5) Microphone-in (Mono)
 (6) Headphone-out
B) Back View
 (7) Front-out (L / R)
 (8) Side-out (L / R)
 (9) Rear-out (L / R)
 (10) Center / Subwoofer
 (11) Line-in
 (12) Optical-out
 (13) USB Type-C Port
Wireless Type: Bluetooth Low Energy (BLE)
Operating RF range: 2402-2480 MHz
Max. RF Output Power: 4dBm
Input: 5V --- 1A
2. Powering The Device
 (i) PC / Mac
 (ii) PS4™
 (iii) Nintendo Switch™ Dock
 (iv) USB Wall Power Adapter*
 *DC 5V, 1A (not included)
3. Connecting Headphones / Headset and Microphone
 (a) Microphone
 (b) Headset
 (c) Headphones
 (d) Mic / Audio splitter cable*
 *Cables not included
4. Connecting Speakers and Other Peripherals
(a) 2.1 Analog Speaker (i) Front (ii) Side (iii) Rear (iv) Center / Subwoofer
(b) 7.1 Analog Speaker System (v) Line-in (vi) Optical-out
(c) 5.1 Analog Speaker System (v) Line-in (vi) Optical-out
(E) Mobile Device (F) Digital Audio Player
5. Button Functions and LED Indicators
1. Volume Control Knob
 Turn the knob left / right to decrease / increase playback's, microphone's or Audio Balance's volume.
BLUE - Playback Volume
RED - Microphone Volume
2. Microphone Control Button
 Press once to switch to Mic control. Use Volume Control Knob to control Mic Input Level. Press on the Volume Control Knob once to mute Mic monitoring. Press and hold to activate / deactivate Audio Balance feature.
LED OFF - Mic Input / Monitoring Level - Off
RED - Mic Input / Monitoring Level - On
GREEN - Audio Balance - On
3. EQ / SXFI Button
 Press once to toggle between Super X-Fi / EQ Presets / Off
ORANGE - Super X-Fi - Off
GREEN - Super X-Fi - On
WHITE - Dialog Enhancer - EQ Preset 1
PURPLE - Dynamics Enhancer - EQ Preset 2
BLUE - Footstep Enhancer - EQ Preset 3
OFF - Direct Mode
4. Audio Output Button
 Press once to switch between headphone and speaker output. In headphone mode, press and hold to switch between Normal and High Gain.
GREEN - Headphone Output (Normal Gain)
ORANGE - Headphone Output (High Gain)
BLUE - Speaker Output
5. Audio Balance
 Press and hold the Microphone Control Button for 2 secs to enable / disable Audio Balance. Subsequently, press the Volume Control Knob once to reset the balance.
GREEN - Audio Balance - On
BLINKING ORANGE - Audio Source 1 - Max
BLINKING CYAN - Audio Source 2 - Max
With Sound Blaster Command, you can:
 • Experience professionally-tuned audio presets for gaming, movies and music
 • Personalize audio effects with Sound Blaster Acoustic Engine
 • Set up speakers and headphones' configuration
 • Adjust playback and recording settings
 *Sound Blaster Acoustic Engine is available on PC and Mac only

ES

1. Overview
A) Front View
 (1) Volume Control Knob
 (2) Microphone Control Button
 (3) EQ / SXFI Button
 (4) Audio Output Button
 (5) Microphone-in (Mono)
 (6) Headphone-out
B) Back View
 (7) Front-out (L / R)
 (8) Side-out (L / R)
 (9) Rear-out (L / R)
 (10) Center / Subwoofer
 (11) Line-in
 (12) Optical-out
 (13) USB Type-C Port
Wireless Type: Bluetooth Low Energy (BLE)
Operating RF range: 2402-2480 MHz
Max. RF Output Power: 4dBm
Input: 5V --- 1A
2. Powering The Device
 (i) PC / Mac
 (ii) PS4™
 (iii) Nintendo Switch™ Dock
 (iv) USB Wall Power Adapter*
 *DC 5V, 1A (not included)
3. Connecting Headphones / Headset and Microphone
 (a) Microphone
 (b) Headset
 (c) Headphones
 (d) Mic / Audio splitter cable*
 *Cables not included
4. Connecting Speakers and Other Peripherals
(a) 2.1 Analog Speaker (i) Front (ii) Side (iii) Rear (iv) Center / Subwoofer
(b) 7.1 Analog Speaker System (v) Line-in (vi) Optical-out
(c) 5.1 Analog Speaker System (v) Line-in (vi) Optical-out
(E) Mobile Device (F) Digital Audio Player
5. Button Functions and LED Indicators
1. Volume Control Knob
 Turn the knob left / right to decrease / increase playback's, microphone's or Audio Balance's volume.
BLUE - Playback Volume
RED - Microphone Volume
2. Microphone Control Button
 Press once to switch to Mic control. Use Volume Control Knob to control Mic Input Level. Press on the Volume Control Knob once to mute Mic monitoring. Press and hold to activate / deactivate Audio Balance feature.
LED OFF - Mic Input / Monitoring Level - Off
RED - Mic Input / Monitoring Level - On
GREEN - Audio Balance - On
3. EQ / SXFI Button
 Press once to toggle between Super X-Fi / EQ Presets / Off
ORANGE - Super X-Fi - Off
GREEN - Super X-Fi - On
WHITE - Dialog Enhancer - EQ Preset 1
PURPLE - Dynamics Enhancer - EQ Preset 2
BLUE - Footstep Enhancer - EQ Preset 3
OFF - Direct Mode
4. Audio Output Button
 Press once to switch between headphone and speaker output. In headphone mode, press and hold to switch between Normal and High Gain.
GREEN - Headphone Output (Normal Gain)
ORANGE - Headphone Output (High Gain)
BLUE - Speaker Output
5. Audio Balance
 Press and hold the Microphone Control Button for 2 secs to enable / disable Audio Balance. Subsequently, press the Volume Control Knob once to reset the balance.
GREEN - Audio Balance - On
BLINKING ORANGE - Audio Source 1 - Max
BLINKING CYAN - Audio Source 2 - Max
With Sound Blaster Command, you can:
 • Experience professionally-tuned audio presets for gaming, movies and music
 • Personalize audio effects with Sound Blaster Acoustic Engine
 • Set up speakers and headphones' configuration
 • Adjust playback and recording settings
 *Sound Blaster Acoustic Engine is available on PC and Mac only

DE

1. Overview
A) Front View
 (1) Volume Control Knob
 (2) Microphone Control Button
 (3) EQ / SXFI Button
 (4) Audio Output Button
 (5) Microphone-in (Mono)
 (6) Headphone-out
B) Back View
 (7) Front-out (L / R)
 (8) Side-out (L / R)
 (9) Rear-out (L / R)
 (10) Center / Subwoofer
 (11) Line-in
 (12) Optical-out
 (13) USB Type-C Port
Wireless Type: Bluetooth Low Energy (BLE)
Operating RF range: 2402-2480 MHz
Max. RF Output Power: 4dBm
Input: 5V --- 1A
2. Powering The Device
 (i) PC / Mac
 (ii) PS4™
 (iii) Nintendo Switch™ Dock
 (iv) USB Wall Power Adapter*
 *DC 5V, 1A (not included)
3. Connecting Headphones / Headset and Microphone
 (a) Microphone
 (b) Headset
 (c) Headphones
 (d) Mic / Audio splitter cable*
 *Cables not included
4. Connecting Speakers and Other Peripherals
(a) 2.1 Analog Speaker (i) Front (ii) Side (iii) Rear (iv) Center / Subwoofer
(b) 7.1 Analog Speaker System (v) Line-in (vi) Optical-out
(c) 5.1 Analog Speaker System (v) Line-in (vi) Optical-out
(E) Mobile Device (F) Digital Audio Player
5. Button Functions and LED Indicators
1. Volume Control Knob
 Turn the knob left / right to decrease / increase playback's, microphone's or Audio Balance's volume.
BLUE - Playback Volume
RED - Microphone Volume
2. Microphone Control Button
 Press once to switch to Mic control. Use Volume Control Knob to control Mic Input Level. Press on the Volume Control Knob once to mute Mic monitoring. Press and hold to activate / deactivate Audio Balance feature.
LED OFF - Mic Input / Monitoring Level - Off
RED - Mic Input / Monitoring Level - On
GREEN - Audio Balance - On
7. Software Download
 1. Download **SXFI App** on your mobile device and register for an account.
 2. Personalize a Super X-Fi profile by completing the Head and Ear Mapping profile in the SXFI App.
 3. Load the Super X-Fi profile onto Sound Blaster X3 by signing into your account on Sound Blaster Command.
 4. Visit creative.com/sxfi to learn more.
Enregistrement du produit
 L'enregistrement de votre produit vous garantit de profiter d'un service et d'une assistance adaptés. Vous pouvez enregistrer votre produit lors de l'installation ou à l'adresse www.creative.com/register.
 Veuillez noter que vos droits de recours à la garantie ne dépendent en aucun cas de l'enregistrement.
Servicios de asistencia técnica y cliente
 Allez sur creative.com/support/sbx3 pour résoudre un problème technique et utilisez la base de connaissances Creative (Knowledge Base), disponible 24 heures sur 24. Vous pouvez également trouver des services d'assistance clientèle et d'autres informations utiles à cet endroit.
Informations complémentaires
 Les documents supplémentaires concernant ce produit incluent la DoC ainsi que des informations réglementaires Creative (Knowledge Base), disponible 24 heures sur 24. Vous pouvez également trouver des services d'assistance clientèle et d'autres informations utiles à cet endroit.
Garantie
 Les informations sur la garantie sont fournies avec votre produit dans un document séparé. Conservez votre preuve d'achat pendant toute la période de garantie.
Conservez ce document pour pouvoir vous y référer ultérieurement.

PL

1. Overview
A) Front View
 (1) Volume Control Knob
 (2) Microphone Control Button
 (3) EQ / SXFI Button
 (4) Audio Output Button
 (5) Microphone-in (Mono)
 (6) Headphone-out
B) Back View
 (7) Front-out (L / R)
 (8) Side-out (L / R)
 (9) Rear-out (L / R)
 (10) Center / Subwoofer
 (11) Line-in
 (12) Optical-out
 (13) USB Type-C Port
Wireless Type: Bluetooth Low Energy (BLE)
Operating RF range: 2402-2480 MHz
Max. RF Output Power: 4dBm
Input: 5V --- 1A
2. Powering The Device
 (i) PC / Mac
 (ii) PS4™
 (iii) Nintendo Switch™ Dock
 (iv) USB Wall Power Adapter*
 *DC 5V, 1A (not included)
3. Connecting Headphones / Headset and Microphone
 (a) Microphone
 (b) Headset
 (c) Headphones
 (d) Mic / Audio splitter cable*
 *Cables not included
4. Connecting Speakers and Other Peripherals
(a) 2.1 Analog Speaker (i) Front (ii) Side (iii) Rear (iv) Center / Subwoofer
(b) 7.1 Analog Speaker System (v) Line-in (vi) Optical-out
(c) 5.1 Analog Speaker System (v) Line-in (vi) Optical-out
(E) Mobile Device (F) Digital Audio Player
5. Button Functions and LED Indicators
1. Volume Control Knob
 Turn the knob left / right to decrease / increase playback's, microphone's or Audio Balance's volume.
BLUE - Playback Volume
RED - Microphone Volume
2. Microphone Control Button
 Press once to switch to Mic control. Use Volume Control Knob to control Mic Input Level. Press on the Volume Control Knob once to mute Mic monitoring. Press and hold to activate / deactivate Audio Balance feature.
LED OFF - Mic Input / Monitoring Level - Off
RED - Mic Input / Monitoring Level - On
GREEN - Audio Balance - On
7. Software Download
 1. Download **SXFI App** on your mobile device and register for an account.
 2. Personalize a Super X-Fi profile by completing the Head and Ear Mapping profile in the SXFI App.
 3. Load the Super X-Fi profile onto Sound Blaster X3 by signing into your account on Sound Blaster Command.
 4. Visit creative.com/sxfi to learn more.
Rejestracja produktu
 Rejestracja produktu gwarantuje uzyskanie najlepszej obsługi i pomocy dotyczącej produktu. Otwarcie można zarejestrować podczas instalacji lub w witrynie www.creative.com/register. Należy pamiętać, że prawa gwarancyjne nie są zależne od rejestracji produktu.
Pomoc techniczna i obsługa klienta
 Przejdź do creative.com/support/sbx3, aby rozwiązywać i sprawdzać odpowiedzi odnośnie zapytań technicznych na 24-godzinnym serwisie samopomocy Creative Knowledge Base. Na tej stronie można także skorzystać z usług pomocy technicznej i znaleźć inne przydatne informacje.
Inne informacje
 Dokumentację uzupełniająca oraz info produktu zawierającą certyfikat zgodności (DoC) oraz informacje na temat bezpieczeństwa i przepisów prawnych można pobrać ze strony creative.com/support/sbx3.
Gwarancja
 Informacja dotycząca gwarancji jest dostarczana wraz z produktem w osobnym dokumencie. Dowód zakupu należy przechowywać przez cały okres ważności gwarancji.
 Należy zachować ten dokument do użytku w przyszłości.

Product Registration

Registering your product ensures you receive the most appropriate service and product support available. You can register your product within Sound Blaster Command software or at www.creative.com/register. Please note that your warranty rights are not dependent on registration.

Technical & Customer Support Services

Visit creative.com/support/sbx3 to resolve and troubleshoot technical queries at Creative's 24-hour self-help Knowledge Base. You can also find customer support services and other helpful information here.

Other Information

Supplementary documentation for this product including DoC and safety and regulatory information can be downloaded from creative.com/support/sbx3.

Warranty	Warranty information is supplied with your product in a separate document. Please keep your Proof of Purchase for the duration of the Warranty period.
Keep this document for future reference.	

© 2019 Creative Technology Ltd. All rights reserved. Creative, the Creative logo, Sound Blaster and the BlasterX logo are trademarks or registered trademarks of Creative Technology Ltd in the United States and/or other countries. Manufactured under license from Dolby Laboratories. Dolby, Dolby Audio, and the double-D symbol are trademarks of Dolby Laboratories. DTS is a registered trademark and the DTS logos and symbol are trademarks of DTS, Inc. All other trademarks are the property of their respective owners and are hereby recognized as such. All specifications are subject to change without prior notice. Actual product may differ slightly from images shown. Use of this product is subject to a limited warranty. Before using the software, you must agree to be bound by the terms and conditions of the end user license agreement.

- Overview**
 - Front View**
 - Volume Control Knob
 - Microphone Control Button
 - EQ / SXFI Button
 - Audio Output Button
 - Microphone-in (Mono)
 - Headphone-out
 - Back View**
 - Front-out (L / R)
 - Side-out (L / R)
 - Rear-out (L / R)
 - Center / Subwoofer
 - Line-in
 - Optical-out
 - USB Type-C Port

Wireless Type: Bluetooth Low Energy (BLE)
Operating RF range: 2402-2480 MHz
Max. RF Output Power: 4dBm
Input: SV⇄1A

2. Powering The Device

- PC / Mac
- PS4™
- Nintendo Switch™ Dock
- USB Wall Power Adapter*
 - *DC 5V, 1A (not included)

3.Connecting Headphones / Headset and Microphone

- Microphone
- Headset
- Headphones
- Mic / Audio splitter cable*
 - *Cables not included

4. Connecting Speakers and Other Peripherals

- 2.1 Analog Speaker**
 - Front
 - Side
- 7.1 Analog Speaker System**
 - Rear / Subwoofer
 - Center / Subwoofer
- 5.1 Analog Speaker System**
 - Center / Subwoofer
 - Line-in
- AV Receiver**
 - Center / Subwoofer
- Mobile Device**
 - Line-in
- Digital Audio Player**
 - Optical-out

5. Button Functions and LED Indicators

- Volume Control Knob**

Turn the knob left / right to decrease / increase playback's, microphones or Audio Balance's volume.
BLUE - Playback Volume
BLUE - Speaker Output
- Microphone Control Button**

Press once to switch to Mic control.
Use Volume Control Knob to control Mic Input Level. Press on the Volume Control Knob once to mute Mic monitoring.
Press and hold to activate / deactivate Audio Balance feature.
LED OFF - Mic Input / Monitoring Level – Off
RED - Mic Input / Monitoring Level – On
GREEN - Audio Balance – On

CS

- Overview**
 - Front View**
 - Volume Control Knob
 - Microphone Control Button
 - EQ / SXFI Button
 - Audio Output Button
 - Microphone-in (Mono)
 - Headphone-out
 - Back View**
 - Front-out (L / R)
 - Side-out (L / R)
 - Rear-out (L / R)
 - Center / Subwoofer
 - Line-in
 - Optical-out
 - USB Type-C Port

Wireless Type: Bluetooth Low Energy (BLE)
Operating RF range: 2402-2480 MHz
Max. RF Output Power: 4dBm
Input: SV⇄1A

2. Powering The Device

- PC / Mac
- PS4™
- Nintendo Switch™ Dock
- USB Wall Power Adapter*
 - *DC 5V, 1A (not included)

3.Connecting Headphones / Headset and Microphone

- Microphone
- Headset
- Headphones
- Mic / Audio splitter cable*
 - *Cables not included

4. Connecting Speakers and Other Peripherals

- 2.1 Analog Speaker**
 - Front
 - Side
- 7.1 Analog Speaker System**
 - Rear / Subwoofer
 - Center / Subwoofer
- 5.1 Analog Speaker System**
 - Center / Subwoofer
 - Line-in
- AV Receiver**
 - Center / Subwoofer
- Mobile Device**
 - Line-in
- Digital Audio Player**
 - Optical-out

5. Button Functions and LED Indicators

- Volume Control Knob**

Turn the knob left / right to decrease / increase playback's, microphones or Audio Balance's volume.
BLUE - Playback Volume
BLUE - Speaker Output
- Microphone Control Button**

Press once to switch to Mic control.
Use Volume Control Knob to control Mic Input Level. Press on the Volume Control Knob once to mute Mic monitoring.
Press and hold to activate / deactivate Audio Balance feature.
LED OFF - Mic Input / Monitoring Level – Off
RED - Mic Input / Monitoring Level – On
GREEN - Audio Balance – On

JP

- Overview**
 - Front View**
 - Volume Control Knob
 - Microphone Control Button
 - EQ / SXFI Button
 - Audio Output Button
 - Microphone-in (Mono)
 - Headphone-out
 - Back View**
 - Front-out (L / R)
 - Side-out (L / R)
 - Rear-out (L / R)
 - Center / Subwoofer
 - Line-in
 - Optical-out
 - USB Type-C Port

Wireless Type: Bluetooth Low Energy (BLE)
Operating RF range: 2402-2480 MHz
Max. RF Output Power: 4dBm
Input: SV⇄1A

2. Powering The Device

- PC / Mac
- PS4™
- Nintendo Switch™ Dock
- USB Wall Power Adapter*
 - *DC 5V, 1A (not included)

3.Connecting Headphones / Headset and Microphone

- Microphone
- Headset
- Headphones
- Mic / Audio splitter cable*
 - *Cables not included

4. Connecting Speakers and Other Peripherals

- 2.1 Analog Speaker**
 - Front
 - Side
- 7.1 Analog Speaker System**
 - Rear / Subwoofer
 - Center / Subwoofer
- 5.1 Analog Speaker System**
 - Center / Subwoofer
 - Line-in
- AV Receiver**
 - Center / Subwoofer
- Mobile Device**
 - Line-in
- Digital Audio Player**
 - Optical-out

5. Button Functions and LED Indicators

- Volume Control Knob**

Turn the knob left / right to decrease / increase playback's, microphones or Audio Balance's volume.
BLUE - Playback Volume
BLUE - Speaker Output
- Microphone Control Button**

Press once to switch to Mic control.
Use Volume Control Knob to control Mic Input Level. Press on the Volume Control Knob once to mute Mic monitoring.
Press and hold to activate / deactivate Audio Balance feature.
LED OFF - Mic Input / Monitoring Level – Off
RED - Mic Input / Monitoring Level – On
GREEN - Audio Balance – On

RU

- Overview**
 - Front View**
 - Volume Control Knob
 - Microphone Control Button
 - EQ / SXFI Button
 - Audio Output Button
 - Microphone-in (Mono)
 - Headphone-out
 - Back View**
 - Front-out (L / R)
 - Side-out (L / R)
 - Rear-out (L / R)
 - Center / Subwoofer
 - Line-in
 - Optical-out
 - USB Type-C Port

Wireless Type: Bluetooth Low Energy (BLE)
Operating RF range: 2402-2480 MHz
Max. RF Output Power: 4dBm
Input: SV⇄1A

2. Powering The Device

- PC / Mac
- PS4™
- Nintendo Switch™ Dock
- USB Wall Power Adapter*
 - *DC 5V, 1A (not included)

3.Connecting Headphones / Headset and Microphone

- Microphone
- Headset
- Headphones
- Mic / Audio splitter cable*
 - *Cables not included

4. Connecting Speakers and Other Peripherals

- 2.1 Analog Speaker**
 - Front
 - Side
- 7.1 Analog Speaker System**
 - Rear / Subwoofer
 - Center / Subwoofer
- 5.1 Analog Speaker System**
 - Center / Subwoofer
 - Line-in
- AV Receiver**
 - Center / Subwoofer
- Mobile Device**
 - Line-in
- Digital Audio Player**
 - Optical-out

5. Button Functions and LED Indicators

- Volume Control Knob**

Turn the knob left / right to decrease / increase playback's, microphones or Audio Balance's volume.
BLUE - Playback Volume
BLUE - Speaker Output
- Microphone Control Button**

Press once to switch to Mic control.
Use Volume Control Knob to control Mic Input Level. Press on the Volume Control Knob once to mute Mic monitoring.
Press and hold to activate / deactivate Audio Balance feature.
LED OFF - Mic Input / Monitoring Level – Off
RED - Mic Input / Monitoring Level – On
GREEN - Audio Balance – On

7. Software Download

- Download **SXFI App** on your mobile device and register for an account.
Personalize a Super X-Fi profile by completing the Head and Ear Mapping profile in the SXFI App.
- Load the Super X-Fi profile onto Sound Blaster X3 by signing into your account on Sound Blaster Command
- Visit **creative.com/sxfi** to learn more

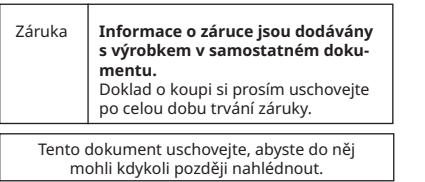
Registrační produktů

Registrační produkt získáte nejvhodnější dostupně během a podporu. Produkt můžete zaregistrovat během instalace, nebo na webové stránce www.creative.com/register. Žáruční práva nejsou na registraci závislá.

Služby technické a zákaznické podpory

Při řešení technických dotazů týkajících se odstraňování problémů použijte svépomocno vědomostmi základůna (Knowledge Base) společnosti Creative, která je k dispozici 24 hodin denně na webové adrese creative.com/support/SBAE-7. Tam také můžete najít službu podpory zákazníkům a další užitečné informace.

Dořadí informací dokumentace pro tento produkt včetně DoC a informací o bezpečnosti a zákonných požadavcích je ke stažení na adrese creative.com/support/SBAE-7.

	Informace o záruce jsou dodávány s výrobkem v samostatném dokumentu. Doklad o koupi si prosím uschovejte po celou dobu trvání záruky.

SK

- Overview**
 - Front View**
 - Volume Control Knob
 - Microphone Control Button
 - EQ / SXFI Button
 - Audio Output Button
 - Microphone-in (Mono)
 - Headphone-out
 - Back View**
 - Front-out (L / R)
 - Side-out (L / R)
 - Rear-out (L / R)
 - Center / Subwoofer
 - Line-in
 - Optical-out
 - USB Type-C Port

Wireless Type: Bluetooth Low Energy (BLE)
Operating RF range: 2402-2480 MHz
Max. RF Output Power: 4dBm
Input: SV⇄1A

2. Powering The Device

- PC / Mac
- PS4™
- Nintendo Switch™ Dock
- USB Wall Power Adapter*
 - *DC 5V, 1A (not included)

3.Connecting Headphones / Headset and Microphone

- Microphone
- Headset
- Headphones
- Mic / Audio splitter cable*
 - *Cables not included

4. Connecting Speakers and Other Peripherals

- 2.1 Analog Speaker**
 - Front
 - Side
- 7.1 Analog Speaker System**
 - Rear / Subwoofer
 - Center / Subwoofer
- 5.1 Analog Speaker System**
 - Center / Subwoofer
 - Line-in
- AV Receiver**
 - Center / Subwoofer
- Mobile Device**
 - Line-in
- Digital Audio Player**
 - Optical-out

5. Button Functions and LED Indicators

- Volume Control Knob**

Turn the knob left / right to decrease / increase playback's, microphones or Audio Balance's volume.
BLUE - Playback Volume
BLUE - Speaker Output
- Microphone Control Button**

Press once to switch to Mic control.
Use Volume Control Knob to control Mic Input Level. Press on the Volume Control Knob once to mute Mic monitoring.
Press and hold to activate / deactivate Audio Balance feature.
LED OFF - Mic Input / Monitoring Level – Off
RED - Mic Input / Monitoring Level – On
GREEN - Audio Balance – On

CT

- Overview**
 - Front View**
 - Volume Control Knob
 - Microphone Control Button
 - EQ / SXFI Button
 - Audio Output Button
 - Microphone-in (Mono)
 - Headphone-out
 - Back View**
 - Front-out (L / R)
 - Side-out (L / R)
 - Rear-out (L / R)
 - Center / Subwoofer
 - Line-in
 - Optical-out
 - USB Type-C Port

Wireless Type: Bluetooth Low Energy (BLE)
Operating RF range: 2402-2480 MHz
Max. RF Output Power: 4dBm
Input: SV⇄1A

2. Powering The Device

- PC / Mac
- PS4™
- Nintendo Switch™ Dock
- USB Wall Power Adapter*
 - *DC 5V, 1A (not included)

3.Connecting Headphones / Headset and Microphone

- Microphone
- Headset
- Headphones
- Mic / Audio splitter cable*
 - *Cables not included

4. Connecting Speakers and Other Peripherals

- 2.1 Analog Speaker**
 - Front
 - Side
- 7.1 Analog Speaker System**
 - Rear / Subwoofer
 - Center / Subwoofer
- 5.1 Analog Speaker System**
 - Center / Subwoofer
 - Line-in
- AV Receiver**
 - Center / Subwoofer
- Mobile Device**
 - Line-in
- Digital Audio Player**
 - Optical-out

5. Button Functions and LED Indicators

- Volume Control Knob**

Turn the knob left / right to decrease / increase playback's, microphones or Audio Balance's volume.
BLUE - Playback Volume
BLUE - Speaker Output
- Microphone Control Button**

Press once to switch to Mic control.
Use Volume Control Knob to control Mic Input Level. Press on the Volume Control Knob once to mute Mic monitoring.
Press and hold to activate / deactivate Audio Balance feature.
LED OFF - Mic Input / Monitoring Level – Off
RED - Mic Input / Monitoring Level – On
GREEN - Audio Balance – On

KR

- Overview**
 - Front View**
 - Volume Control Knob
 - Microphone Control Button
 - EQ / SXFI Button
 - Audio Output Button
 - Microphone-in (Mono)
 - Headphone-out
 - Back View**
 - Front-out (L / R)
 - Side-out (L / R)
 - Rear-out (L / R)
 - Center / Subwoofer
 - Line-in
 - Optical-out
 - USB Type-C Port

Wireless Type: Bluetooth Low Energy (BLE)
Operating RF range: 2402-2480 MHz
Max. RF Output Power: 4dBm
Input: SV⇄1A

2. Powering The Device

- PC / Mac
- PS4™
- Nintendo Switch™ Dock
- USB Wall Power Adapter*
 - *DC 5V, 1A (not included)

3.Connecting Headphones / Headset and Microphone

- Microphone
- Headset
- Headphones
- Mic / Audio splitter cable*
 - *Cables not included

4. Connecting Speakers and Other Peripherals

- 2.1 Analog Speaker**
 - Front
 - Side
- 7.1 Analog Speaker System**
 - Rear / Subwoofer
 - Center / Subwoofer
- 5.1 Analog Speaker System**
 - Center / Subwoofer
 - Line-in
- AV Receiver**
 - Center / Subwoofer
- Mobile Device**
 - Line-in
- Digital Audio Player**
 - Optical-out

5. Button Functions and LED Indicators

- Volume Control Knob**

Turn the knob left / right to decrease / increase playback's, microphones or Audio Balance's volume.
BLUE - Playback Volume
BLUE - Speaker Output
- Microphone Control Button**

Press once to switch to Mic control.
Use Volume Control Knob to control Mic Input Level. Press on the Volume Control Knob once to mute Mic monitoring.
Press and hold to activate / deactivate Audio Balance feature.
LED OFF - Mic Input / Monitoring Level – Off
RED - Mic Input / Monitoring Level – On
GREEN - Audio Balance – On

Техника безопасности

Ознакомьтесь с информацией, содержащейся в данном разделе, чтобы обеспечить условия безопасного использования изделия и снизить риск поражения электрическим током, возникновения короткого замыкания, нанесения травм, возгорания, укушения слуха и прочих опасностей.
Неправильная эксплуатация изделия может привести к аннулированию гарантии. Дополнительную информацию см. в гарантийном документе, входящем в комплект поставки.

- Не разбирайте и не пытайтесь самостоятельно ремонтировать изделие. Все работы по техническому обслуживанию и ремонту должны проводить квалифицированные специалисты.

- Запрещено эксплуатировать устройство при температурах ниже 0°C (32°F) и выше 45°C (113°F).

- Запрещено пробывать или повредить корпус устройства и бросать его в огонь.

- Держите устройство вдали от источников мощных магнитных полей.

- Запрещено подвергать изделие сильным механическим воздействиям и ударам.

- Запрещено подвергать изделие воздействию воды или влаги. Если продукт устойчив в высокой влажности, не погружайте его в воду и не выносите под дождь.

Техническая поддержка пользователей

На сайте creative.com/support/SBAE-7 круглосуточно доступна база знаний Creative, предназначенная для самостоятельного решения технических вопросов и устранения неполадок. На этом сайте вы также можете воспользоваться услугами службы технической поддержки и найти другую полезную информацию.

Дополнительная информация
— Дополнительная документация для этого продукта включает DoC и информацию по безопасности и нормативную информацию можно скачать с сайта поддержки creative.com/support/SBAE-7

Гарантия
— Информация о гарантии прилагается к изделию в отдельном документе. Сохраняйте документ, подтверждающий факт покупки, на этом сайте вы также можете ознакомиться с условиями и сроком действия всего гарантийного периода.

Сохраните данный документ для использования в будущем.

- Overview**
 - Front View**
 - Volume Control Knob
 - Microphone Control Button
 - EQ / SXFI Button
 - Audio Output Button
 - Microphone-in (Mono)
 - Headphone-out
 - Back View**
 - Front-out (L / R)
 - Side-out (L / R)
 - Rear-out (L / R)
 - Center / Subwoofer
 - Line-in
 - Optical-out
 - USB Type-C Port

Wireless Type: Bluetooth Low Energy (BLE)
Operating RF range: 2402-2480 MHz
Max. RF Output Power: 4dBm
Input: SV⇄1A

2. Powering The Device

- PC / Mac
- PS4™
- Nintendo Switch™ Dock
- USB Wall Power Adapter*
 - *DC 5V, 1A (not included)

3.Connecting Headphones / Headset and Microphone

- Microphone
- Headset
- Headphones
- Mic / Audio splitter cable*
 - *Cables not included

4. Connecting Speakers and Other Peripherals

- 2.1 Analog Speaker**
 - Front
 - Side
- 7.1 Analog Speaker System**
 - Rear / Subwoofer
 - Center / Subwoofer
- 5.1 Analog Speaker System**
 - Center / Subwoofer
 - Line-in
- AV Receiver**
 - Center / Subwoofer
- Mobile Device**
 - Line-in
- Digital Audio Player**
 - Optical-out

5. Button Functions and LED Indicators

- Volume Control Knob**

Turn the knob left / right to decrease / increase playback's, microphones or Audio Balance's volume.
BLUE - Playback Volume
BLUE - Speaker Output
- Microphone Control Button**

Press once to switch to Mic control.
Use Volume Control Knob to control Mic Input Level. Press on the Volume Control Knob once to mute Mic monitoring.
Press and hold to activate / deactivate Audio Balance feature.
LED OFF - Mic Input / Monitoring Level – Off
RED - Mic Input / Monitoring Level – On
GREEN - Audio Balance – On

- Overview**
 - Front View**
 - Volume Control Knob
 - Microphone Control Button
 - EQ / SXFI Button
 - Audio Output Button
 - Microphone-in (Mono)
 - Headphone-out
 - Back View**
 - Front-out (L / R)
 - Side-out (L / R)
 - Rear-out (L / R)
 - Center / Subwoofer
 - Line-in
 - Optical-out
 - USB Type-C Port

Wireless Type: Bluetooth Low Energy (BLE)
Operating RF range: 2402-2480 MHz
Max. RF Output Power: 4dBm
Input: SV⇄1A

7. Software Download

- Download **SXFI App** on your mobile device and register for an account.
Personalize a Super X-Fi profile by completing the Head and Ear Mapping profile in the SXFI App.
- Load the Super X-Fi profile onto Sound Blaster X3 by signing into your account on Sound Blaster Command
- Visit **creative.com/sxfi** to learn more

Registrační produktů

Registrační produkt získáte, že sa vám dostane čo najvhodnejší služba a podporu produktu. Svoj výrobok si môžete zaregistrovať už počas inštalácie alebo na webovej stránke register.creative.com. Podrobné údaje, ktoré sa vás týkajú, nájdete na stránke creative.com/support/SBAE-7. Na tejto stránke nájdete aj službu zákazníckej podpory a ďalšie užitočné informácie.

Pri riešení technických otázok a problémov použite Vedomosti základných (Knowledge Base) spoločnosti Creative, ktorá je k dispozícii 24 hodín denne a ktorú nájdete na stránke creative.com/support/SBAE-7. Tam tiež nájdete aj službu zákazníckej podpory a ďalšie užitočné informácie.

Dořadí informací dokumentace pro tento produkt včetně DoC a bezpečnostních a regulačních informací si můžete stáhnout z lokality creative.com/support/SBAE-7.

Informácie o záruce nájdete v samostatnom dokumente, ktorý je dodávaný s výrobkom.
Počas záručnej doby si uschovejte doklad o kúpe.

Pre prípady ďalšieho podujatia si tento dokument uschovejte.

SV

- Overview**
 - Front View**
 - Volume Control Knob
 - Microphone Control Button
 - EQ / SXFI Button
 - Audio Output Button
 - Microphone-in (Mono)
 - Headphone-out
 - Back View**
 - Front-out (L / R)
 - Side-out (L / R)
 - Rear-out (L / R)
 - Center / Subwoofer
 - Line-in
 - Optical-out
 - USB Type-C Port

Wireless Type: Bluetooth Low Energy (BLE)
Operating RF range: 2402-2480 MHz
Max. RF Output Power: 4dBm
Input: SV⇄1A

2. Powering The Device

- PC / Mac
- PS4™
- Nintendo Switch™ Dock
- USB Wall Power Adapter*
 - *DC 5V, 1

Additional Safety and Regulatory information for Sound Blaster X3

Regulatory Information

The following sections contain notices for various countries:

CAUTION: This product is intended for use with FCC/CE certified computer equipment. Please check the equipment operating/installation manual and/or with the equipment manufacturer to verify/confirm if your equipment is suitable prior to the installation or use of the product.

Notice for USA

Federal Communication Commission (FCC) Interference Statement

FCC Part 15: This equipment has been tested and found to comply with the limits for a Class B digital device, pursuant to Part 15 of the FCC Rules. These limits are designed to provide reasonable protection against harmful interference in a residential installation. This equipment generates, uses and can radiate radio frequency energy and, if not installed and used in accordance with the instructions, may cause harmful interference to radio communications. However, there is no guarantee that interference will not occur in a particular installation.

If this equipment does cause harmful interference to radio or television reception, which can be determined by turning the equipment off and on, the user is encouraged to try to correct the interference by one or more of the following measures:

- Reorient or relocate the receiving antenna.
- Increase the separation between the equipment and receiver.
- Connect the equipment into an outlet on a circuit different from that to which the receiver is connected.
- Consult the dealer or an experienced radio/TV technician for help.

This device complies with part 15 of the FCC Rules. Operation is subject to the following two conditions:

1. This device may not cause harmful interference, and
2. This device must accept any interference received, including interference that may cause undesired operation.

CAUTION: To comply with the limits of the Class B digital device, pursuant to Part 15 of the FCC Rules, this device must be installed with computer equipment certified to comply with Class B limits.

All cables used to connect to the computer and peripherals must be shielded and grounded. Operation with non-certified computers or non-shielded cables may result in interference to radio or television reception. may result in interference to radio or television reception.

MODIFICATION: Any changes or modification not expressly approved by the grantee of this device could void the user's authority to operate the device the user's authority to operate the device.

Federal Communication Commission (FCC) Radiation Exposure Statement

This equipment complies with FCC radiation exposure limits set forth for an uncontrolled environment
This transmitter must not be co-located or operating in conjunction with any other antenna or transmitter.

Notice for Canada

This device contains licence-exempt transmitter(s)/receiver(s) that comply with Innovation, Science and Economic Development Canada's licence-exempt RSS(s). Operation is subject to the following two conditions:

1. This device may not cause interference.
2. This device must accept any interference, including interference that may cause undesired operation of the device.

L' émetteur/récepteur exempt de licence contenu dans le présent appareil est conforme aux CNR d' Innovation, Sciences et Développement économique Canada applicables aux appareils radio exempts de licence. L' exploitation est autorisée aux deux conditions suivantes:

1. L' appareil ne doit pas produire de brouillage;
2. L' appareil doit accepter tout brouillage radioélectrique subi, même si le brouillage est susceptible d' en compromettre le fonctionnement.

Canada Radiation Exposure Statement

This equipment complies with IC RSS-102 radiation exposure limits set forth for an uncontrolled environment. This transmitter must not be co-located or operating in conjunction with any other antenna or transmitter.

Cet équipement est conforme aux limites d' exposition aux radiations IC CNR-102 établies pour un environnement non contrôlé. Cet émetteur ne doit pas être situé ou fonctionner conjointement avec une autre antenne ou un autre émetteur.

MODIFICATION: Any changes or modification not expressly approved by the grantee of this device could void the user's authority to operate the device.

Toute modification non approuvée explicitement par le fournisseur de licence de l' appareil peut entraîner l' annulation du droit de l' utilisateur à utiliser l' appareil.

Ukraine RoHS Statement

Обладнання відповідає вимогам Технічного регламенту щодо обмеження використання деяких небезпечних речовин в електричному та електронному обладнанні, затвердженого постановою Кабінету Міністрів України від 3 грудня 2008 № 1057

充電式電池リサイクルについてのご注意

クリエイティブの一部製品にはリチウムイオン充電電池が使用されています。



Li-ion

リチウムイオン充電電池はリサイクル可能な資源です。

- クリエイティブ製品に内蔵されている充電電池をリサイクルするには、充電電池の取り外しはお客様ご自身で行わないで下さい。リサイクルの方法などのお問い合わせは、クリエイティブメディア株式会社のカスタマーサービスセンター (<http://jp.creative.com/support/contact/> (日本語のみ) にご相談下さい。
- 取り外しが可能なクリエイティブ製品の充電電池をリサイクルするには -



注意事項

- 安全の為、電力を完全に使い切ってから充電電池を取り外して下さい。
- 安全の為、充電電池の金属端子部分にはゼロハンテープなどの絶縁テープを貼って下さい。
- 安全策を講じた使用済み充電電池は、充電式電池のリサイクル協力店へお持ち下さい。充電式電池の回収/リサイクルおよびリサイクル協力店については、中間責任法人JBRCのホームページ <http://www.jbrc.com/> を参照して下さい。

Vietnam RoHS Statement

This product is in compliance with Circular 30/2011/TTBCT of the Ministry of Trade of the Socialist Republic of Vietnam ("Circular"), it does not contain the following substances in concentration greater than the Maximum Limit value as specified in the Circular.

Substance	Maximum Limit (ppm) 1, 2
• lead	1000
• mercury	1000
• cadmium	100
• hexavalent chromium	1000
• polybrominated biphenyls (PBB)	1000
• polybrominated diphenyl ethers (PBDE)	1000

¹ Maximum Limit does not apply to applications exempted from the Circular.

² Maximum Limit refers to concentration by weight in homogeneous materials.

Notice for Taiwan

敬告使用者:

1. 本產品使用時，不致造成違反低功率電波輻射性電機管理辦法之控制、調整及開關之使用方法。
2. 本產品不得任意調整更改各項零件或對於發射之功率影響之作為，若有操作問題請與本公司人員聯繫；並由本公司負起監督及維修之責任。
3. 根據交通部低功率電波輻射性電機管理辦法規定：

第十二條

經型式認證合格之低功率射頻電機，非經許可，公司、商號或使用者均不得擅自變更頻率、加大功率或變更原設計之特性及功能。

第十四條

低功率射頻電機之使用不得影響飛航安全及干擾合法通信；經發現有干擾現象時，應立即停用，並改善至無干擾時方得繼續使用。

前項合法通信，指依電信法規定作業之無線電通信。

低功率射頻電機須忍受合法通信或工業、科學及醫療用電波輻射性電機設備之干擾。

SUPPLIER'S DECLARATION OF CONFORMITY

According to CFR Title 47 § 2.1077

Importer's Name: Creative Labs, Inc.
Importer's Address: 1901 McCarthy Boulevard
Milpitas, CA. 95035
Tel: (408)428-6600

declares under its sole responsibility that the product

Trade Name: Creative
Model Numbers: SB1810
Product Name: Sound Blaster X3

has been tested according to the FCC / CISPR22 requirement for Class B devices and found compliant with the following standards:

EMI/EMC: ANSI C63.4 & C63.10, FCC Part 15 Subpart B & C
Complies with Canadian ICES-003 Class B & RSS-247 standards

This device complies with part 15 of the FCC Rules.
Operation is subject to the following two conditions:
(1) This device may not cause harmful interference, and
(2) this device must accept any interference received,
including Interference that may cause undesirable operation.

Le présent appareil est conforme aux CNR d' Industrie Canada applicables aux appareils radio exempts de licence.

L' exploitation est autorisée aux deux conditions suivantes:

- (1) l' appareil ne doit pas produire de brouillage, et
- (2) l' utilisateur de l' appareil doit accepter tout brouillage radioélectrique subi, même si le brouillage est susceptible d' en compromettre le fonctionnement.

Supplementary Information:

Thinh Bui
Compliance Manager
Creative Labs, Inc.
1st August 2019

内蔵バッテリー

- 内蔵バッテリーを取り外さないでください。
本製品は、各地の環境規制に準じて処分する必要があります。バッテリーを交換する場合は、お住まいの地域のサポート営業所に製品をお送りください。製品サービス情報については、www.creative.comをご覧ください。
- 直射日光や火等の過度の熱にさらさないでください。

注意: バッテリーが不適切な種類と交換されると、爆発する危険があります。交換は種類が同じまたは同等の電池のみを使用してください。

(Bluetoothデバイス用の追加ガイドライン)

- Bluetoothデバイスの短波無線周波数信号は、他の電子機器や医療機器の動作に悪影響を及ぼすことがあります。
- 使用を禁止されている場所ではデバイスの電源をお切りください。医療施設、飛行機、燃料補給地点、自動ドア付近、自動火災報知機付近、その他の自動制御機器の近くでこのデバイスを使用しないでください。
- このデバイスはペースメーカーや他の医療機器から20cm以上離してください。電波により、ペースメーカーやその他の医療機器の動作に悪影響を及ぼすことがあります。

내장된 배터리

- 내장된 배터리를 제거하지 마십시오.
제품은 해당 지역 환경 법규에 따라 폐기해야 합니다. 배터리를 교체하려면 지역에 제품을 반환 사무실을 지원합니다. 제품서비스 정보에 대해 알아보려면 www.creative.com을 방문하십시오.
- 이러한 햇빛 화재 나 좋아하는 같은 과도한 열에 노출시키지 마십시오.

주의: 배터리가 잘못으로 대체하는 경우 폭발의 위험유형입니다. 동일하거나 같은 형식의 배터리 만 교체.

(Bluetooth 장치에 대한 추가 지침)

- Bluetooth 장치의 단파 무선 주파수 신호는 다른 전자 및 의료 장비의 작동에 영향을 미칠 수 있습니다.
- 사용이 금지된 곳에서는 장치를 끄십시오. 의료 기관, 항공기, 급유 지점, 자동차, 자동문, 자동 화재 경보기 또는 기타 자동으로 제어되는 장치 근처에서는 사용하지 마십시오.
- 이 장치를 심장 박동 조절 장치 및 기타 의료 장비에서 최소 20cm 멀리 두십시오. 라디오파가 심장 박동 조절 장치 및 기타 의료 장비의 작동에 손상을 끼칠 수 있습니다.

Baterai Tersemat

- Jangan coba-coba melepas baterai yang tersemat.
Produk ini harus dibuat sesuai dengan peraturan lingkungan setempat. Untuk mengganti baterai, kembalikan produk Anda ke kantor dukungan di wilayah Anda. Untuk informasi layanan produk, kunjungi www.creative.com.
- Jangan sampai produk terkena panas yang berlebih seperti sinar matahari atau sejenisnya.
PERHATIAN: Berisiko meledak jika baterai diganti dengan tipe yang salah. Gantikan hanya dengan jenis yang sama atau yang setaraf.

(Panduan tambahan untuk perangkat Bluetooth)

- Sinyal frekuensi radio gelombang pendek dari perangkat Bluetooth dapat mengganggu fungsi perangkat elektronik dan medis lain.
- Matikan perangkat jika dilarang menggunakannya. Jangan gunakan perangkat di fasilitas medis, pesawat, pom bensin, dekat dengan pintu otomatis, alarm kebakaran otomatis, atau perangkat lainnya yang dikendalikan secara otomatis.
- Jauhkan perangkat ini setidaknya 20 cm dari alat pacu jantung dan perangkat medis lain. Gelombang radio dapat mengganggu fungsi alat pacu jantung dan perangkat medis lainnya.

إرشادات السلامة AR**البطارية المدمجة**

- لا تحاول فك البطارية المدمجة.
يجب التخلص من المنتج وفقاً للوائح البيئية المحلية.
لاستبدال البطارية، أرجع المنتج الخاص بك إلى مكتب الدعم الإقليمي لديك.
للحصول على معلومات حول خدمة المنتج، انتقل إلى www.creative.com.
- لا تعرض الجهاز للحرارة الزائدة، مثل أشعة الشمس، أو النيران، أو ما شابه.
تنبيه: تجنب خطر الانفجار إذا تم استبدال البطارية بأنواع غير صحيحة.
استبدال فقط مع نفس النوع أو ما يعادلها.

خطوط إرشادية إضافية للأجهزة التي تدعم وظيفة Bluetooth

- قد تُفسد إشارات التردد اللاسلكي ذات الموجات القصيرة لجهاز يدعم وظيفة Bluetooth عملية تشغيل الأجهزة الإلكترونية والطبية الأخرى.
قم بإيقاف تشغيل الجهاز في الأماكن المحظور تشغيله فيها. لا تستخدم الجهاز في المرافق الطبية أو المطارات أو أماكن التزود بالوقود أو الأماكن القريبة من الأبواب الأوتوماتيكية أو إنذارات الحريق التلقائية أو أي أجهزة أخرى يتم التحكم بها بشكل تلقائي.
ضع هذا الجهاز على بعد 20 سم على الأقل عن أجهزة ضبط نبضات القلب أو الأجهزة الطبية الأخرى. قد تُفسد الموجات اللاسلكية عملية تشغيل أجهزة ضبط نبضات القلب والأجهزة الطبية الأخرى.