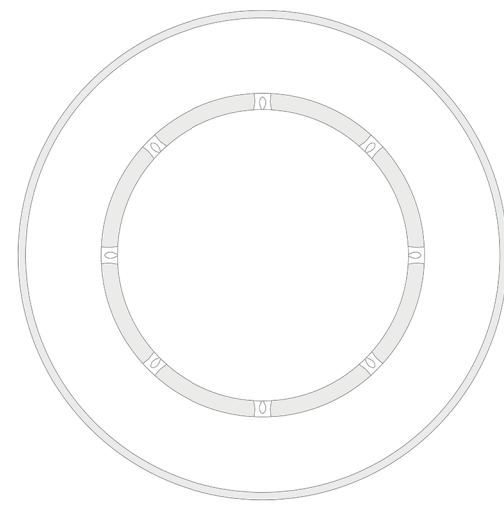
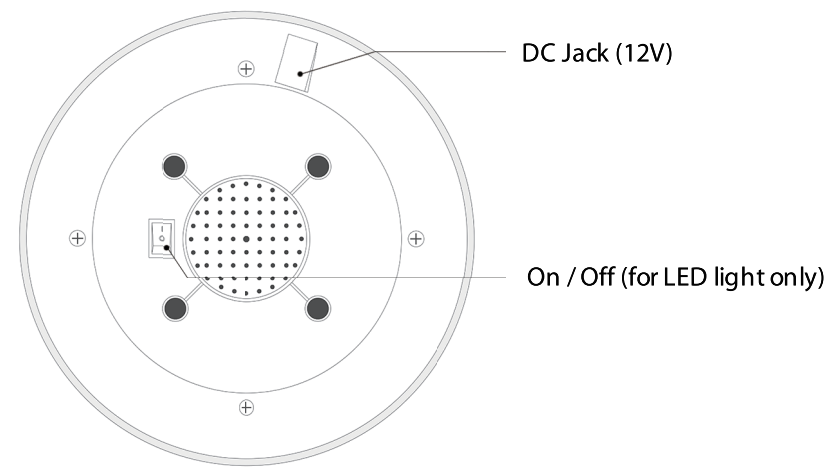


Base Specification

Power Supply: DC 12V
Power Rating: 5-10W
Base diameter: 19CM
Base height: 5CM



Key Definition and Function as below



Bluetooth Pairing

- Turning the Orb Speaker on will enter Bluetooth mode automatically with red & blue LED flashing.
- Turn on Bluetooth function of mobile devices (Cell phone, iPad, etc.) and start to search.
- Select Bluetooth device named "Music Angel" manually for pairing.
- The Orb Speaker will pair with the bluetooth device in bluetooth mode automatically if they have paired previously.

Low Battery Display

When the battery is low, red LED light on top will be flashing with voice reminding you to charge in time. If the speaker won't be used for long time, please charge it at least once every month for keeping battery life span.

Package Contents:

1 x Portable Bluetooth Speaker 1 x USB charging cable
1 x Magnetic Base 1 x User Manual
1 x Power adapter

NOTE: This equipment has been tested and found to comply with the limits for a Class B digital device, pursuant to part 15 of the FCC Rules. These limits are designed to provide reasonable protection against harmful interference in a residential installation. This equipment generates uses and can radiate radio frequency energy and, if not installed and used in accordance with the instructions, may cause harmful interference to radio communications. However, there is no guarantee that interference will not occur in a particular installation. If this equipment does cause harmful interference to radio or television reception, which can be determined by turning the equipment off and on, the user is encouraged to try to correct the interference by one or more of the following measures:

- Reorient or relocate the receiving antenna.
- Increase the separation between the equipment and receiver.
- Connect the equipment into an outlet on a circuit different from that to which the receiver is connected.
- Consult the dealer or an experienced radio/TV technician for help

Changes or modifications not expressly approved by the party responsible for compliance could void the user's authority to operate the equipment. This device complies with Part 15 of the FCC Rules. Operation is subject to the following two conditions:

- (1) this device may not cause harmful interference, and
- (2) this device must accept any interference received, including interference that may cause undesired operation.

Caution:

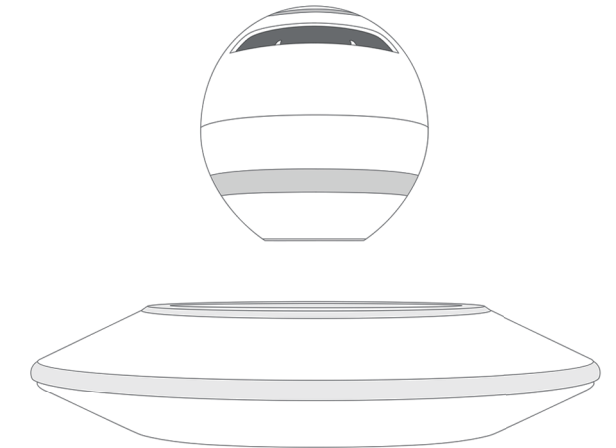
In order to use this speaker correctly and enjoy wonderful home theater experience, please read and comply with the following:

1. DO NOT crash against the speaker and the base.
2. DO NOT touch chemicals including benzene and diluent.
3. DO NOT close to strong magnetic field and electric field
4. Please avoid point-blank light and heating vessels.
5. DO NOT disassemble, fix and remake unprofessionally.
6. Please deal with obsolete package, battery and old electronic products classifiably in right ways.
7. Avoid shaking and knocking severely on the base in case of damage.
8. DO NOT knock on or smash the floating Bluetooth speaker to prevent it from falling down and damaging.
9. When levitating the speaker, if unable to find the floating position within 10 minutes and the base become heat, please disconnect the power and try again until the base cools down.
10. Please keep your electronic products 20CM away from this product to avoid interfering with each other.
11. Only when you find the levitation point you can release the orb.
12. Take away the speaker before turning off the power in case it falls down.
13. This product is high-tech precise and unprofessional disassemble would be not allowed. Manufacture will be not responsible for any damage due to wrong operation.
14. This product is not suitable for children under 6 years.
15. For indoor use only.

MUSIC ANGEL

Levitating Bluetooth Speaker

Model:WB-46
FCC ID:2AJSIWB-46



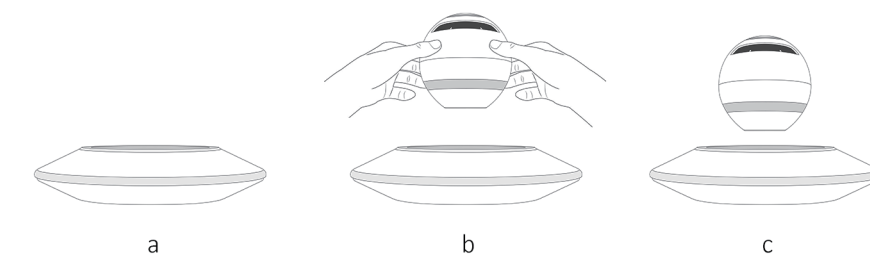
Dear Valued Customer,

Thank you for choosing this product! In order to better understand its performance and use it safely, please read this user manual carefully before using. Please keep this user manual for future reference.

Yours sincerely,
MUSIC ANGEL GROUP

Features:

1. This cool levitation Bluetooth speaker by MUSIC ANGEL® improves your audio experience with Hi-Fi sound, elegant design and easy to use, perfect combination of modern and classic.
2. High-tech Bluetooth wireless system, power conserving, low power consumption, high quality music effect transmission, enable you to enjoy acoustic music at anytime from anywhere.
3. Portable and mobile Bluetooth speaker with integrated stereo system, connects various Bluetooth devices wirelessly, including Computer, iPad, Cell phone, etc.
4. Can be also used as a standalone Bluetooth speaker without the base.
5. Revolve 360 degrees levitating in the air with 15mm above the base and colorful light flashing.
6. Built-in rechargeable battery for a playtime of 8 hours with medium sound.



How to get the Orb Speaker levitating

1. Place the base on a horizontal surface, plug the adapter in power supply and DC Jack. (Note: there is strong magnet in the base, keep it away from any metal.)
2. Hold the Orb Speaker tightly and horizontally with two hands(Picture a), then put it 10cm above from the top surface of the base and move it vertically downwards the center of the base slowly to try to get the levitating point(Picture b).
3. Once feeling a strong force that is suspending the Orb Speaker from the base, this position (about 15mm above the top surface of the base) is the levitation point. At this moment, release the orb carefully(Picture c). (Note: if fail to get the levitating point up to 10 times, the base will get heat. Please stop and unplug the adapter to let the base cool down for 5 minutes, then try again.)
4. Rotate the Orb Speaker slightly and it will spin automatically.

Key Definition and Function as below

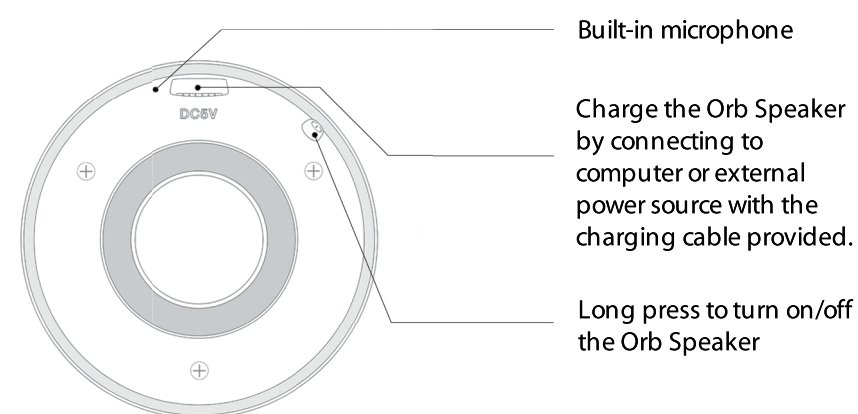
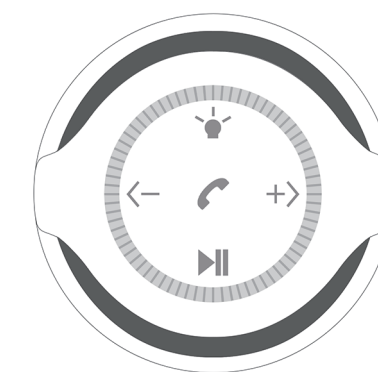
☎ One touch to pick up a phone call through wireless Bluetooth and long touch for rejecting. Double-touch for redial, and one touch to hang up during

💡 Long touch for orb light on and one touch for orb light off

+> Long touch for volume up and one touch for next

<- Long touch for volume down and one touch for previous

⏮ Play / Pause



Orb Speaker Specification:

Output Power: 3W Frequency: 100Hz-18KHz
Battery capacity: 3.7V / 500mAh Orb diameter: 8 CM
Bluetooth connection range: 10Meter
Adapter: UL certified, Input 120V, Output DC 12V, 120CM cord
Signal and noise ratio: >=80db Distortion: <1%
Adjustment form: Touch button
USB charging cable: 120cm

Light Introduction

Red light: for charging, low battery or searching Bluetooth device nearby.
Blue light: for pairing the Bluetooth device successfully or fully charged.

Orb Speaker Charge

1. Plug the micro USB end of the provided data cord into the micro USB port of the speaker and plug the other end into the computer or other power supply of DC 5V.
2. Red light is on while charging, and blue light is on when fully charged. Unplug the USB charging cable after fully charged.
3. Built-in overcharge protection system to protect the battery in case of charging for long time.

NOTE: This equipment has been tested and found to comply with the limits for a Class B digital device, pursuant to part 15 of the FCC Rules. These limits are designed to provide reasonable protection against harmful interference in a residential installation. This equipment generates, uses and can radiate radio frequency energy and, if not installed and used in accordance with the instructions, may cause harmful interference to radio communications. However, there is no guarantee that interference will not occur in a particular installation. If this equipment does cause harmful interference to radio or television reception, which can be determined by turning the equipment off and on, the user is encouraged to try to correct the interference by one or more of the following measures:

- Reorient or relocate the receiving antenna.
- Increase the separation between the equipment and receiver.
- Connect the equipment into an outlet on a circuit different from that to which the receiver is connected.
- Consult the dealer or an experienced radio/TV technician for help.

This device complies with part 15 of the FCC rules. Operation is subject to the following two conditions:

- (1) this device may not cause harmful interference, and
- (2) this device must accept any interference received, including interference that may cause undesired operation.

Changes or modifications to this unit not expressly approved by the party responsible for compliance could void the user's authority to operate the equipment.