

pamu

User Manual

PaMu Karaoke Bluetooth Headphones

FCC ID: 2AJEO-A2K Model: A2K
Made in China Input: 5V = 440mA
Capacity: 500mAh / 1.85Wh

PaMu Karaoke Bluetooth Headphones
Xiamen Padmate Technology Co.,LTD
6F, Innovation Mansion, NO.1300 Jimei Avenue,
Xiamen, 361021, China, P.R
www.padmate-tech.com
www.facebook.com/PadmateTech/



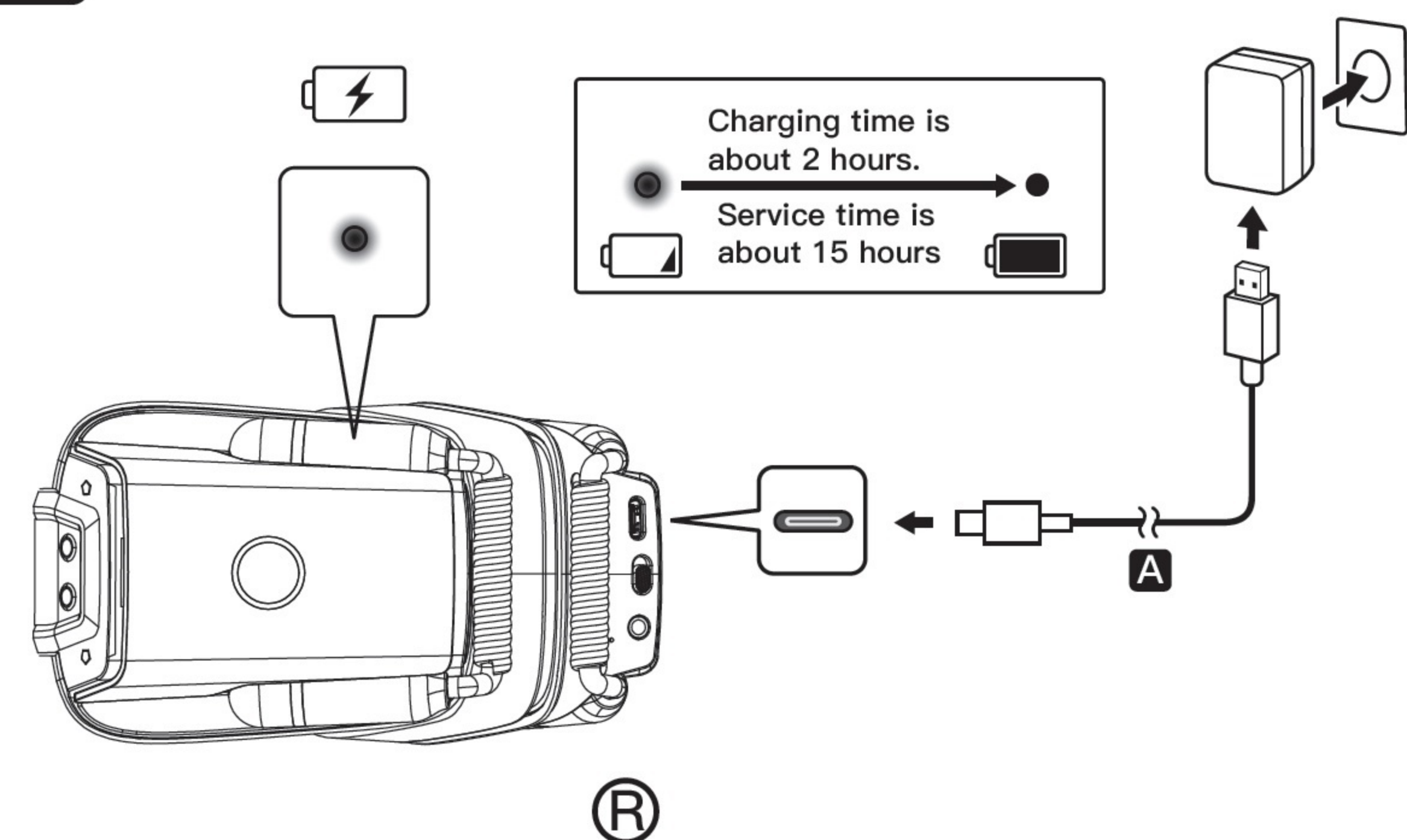
Padmate reserves rights of changes

EN

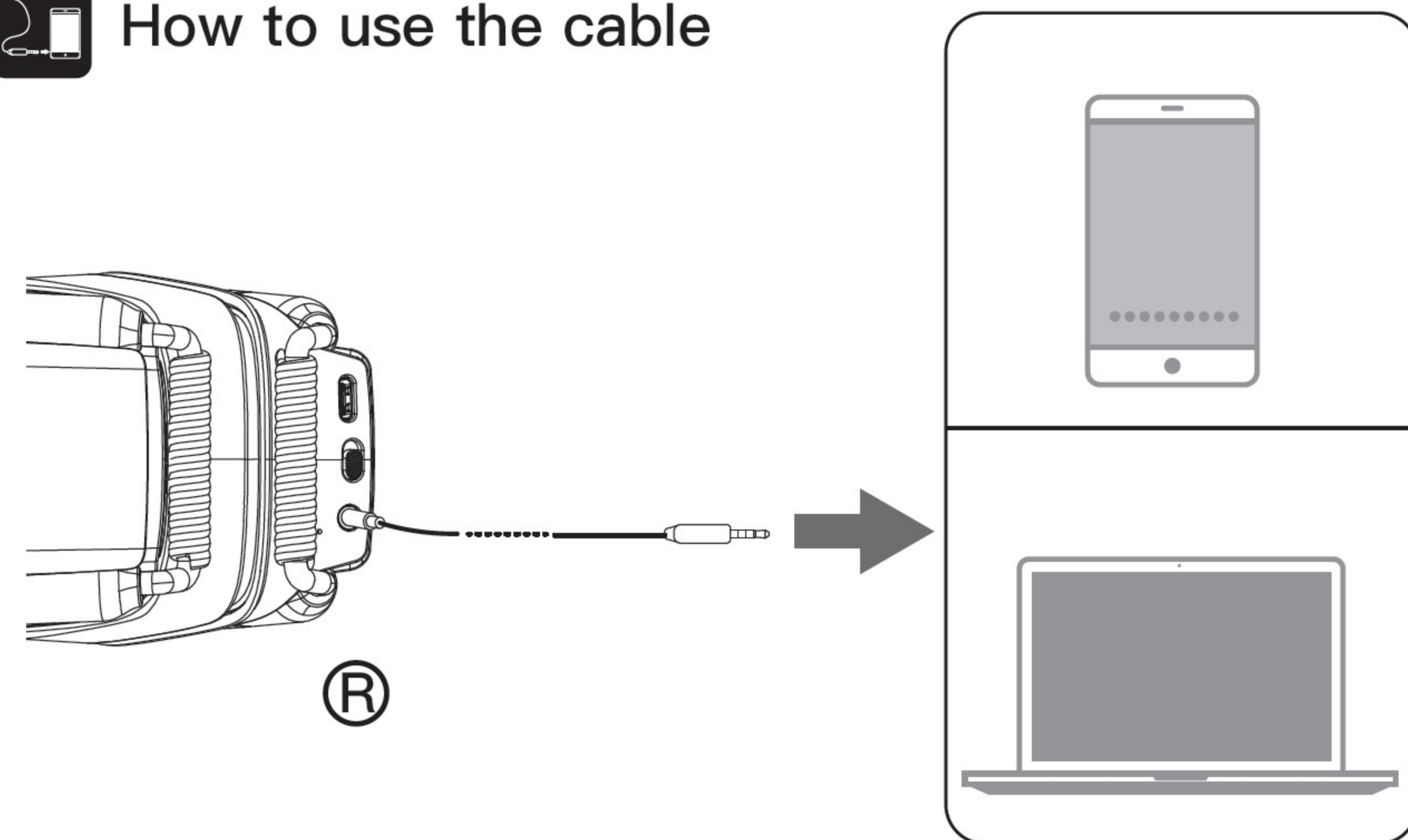


In order to obtain a more stable and better experience, it is recommended to use mobile phones with Android 6.0, iOS 10.0 or higher OS versions.

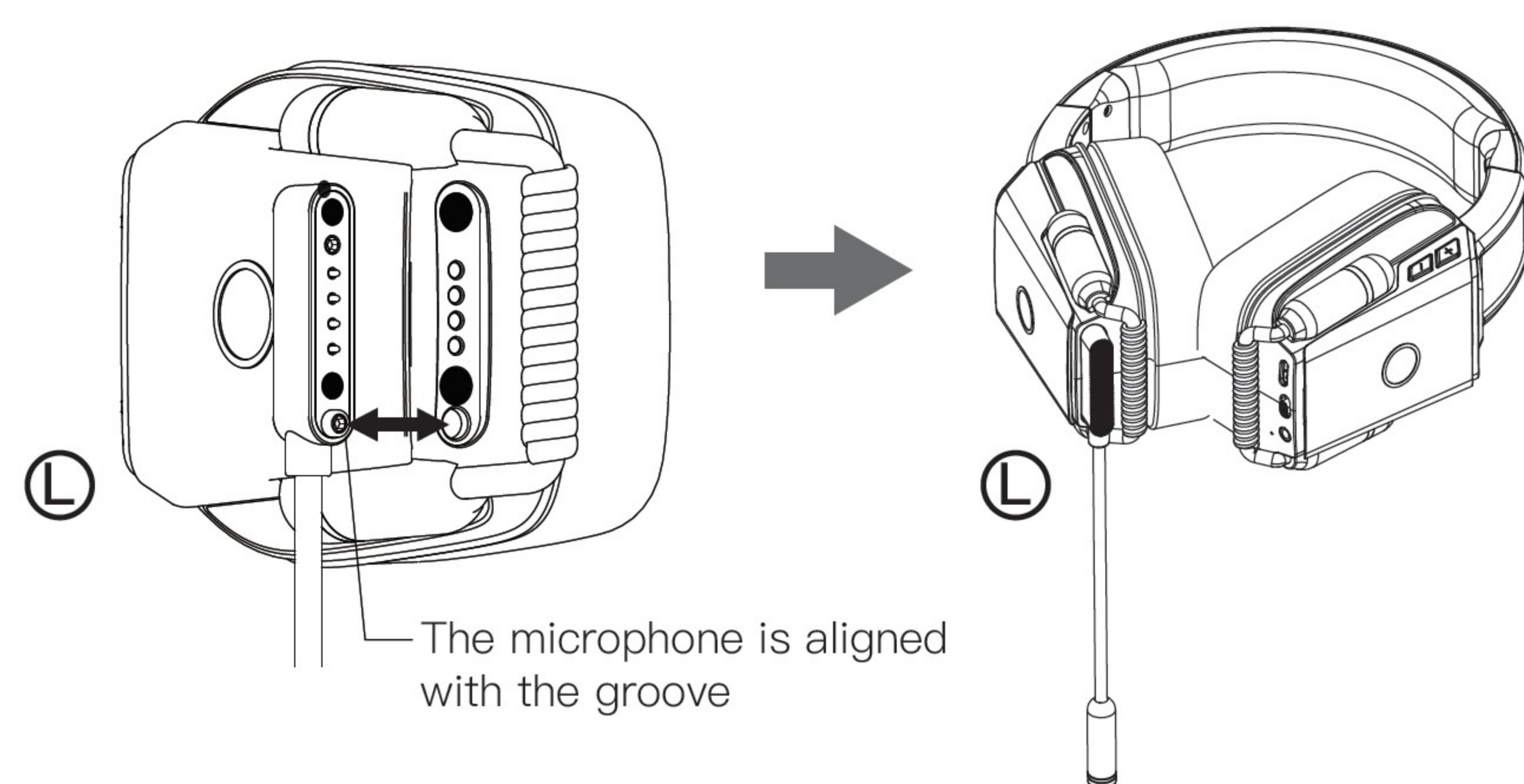
How to charge.



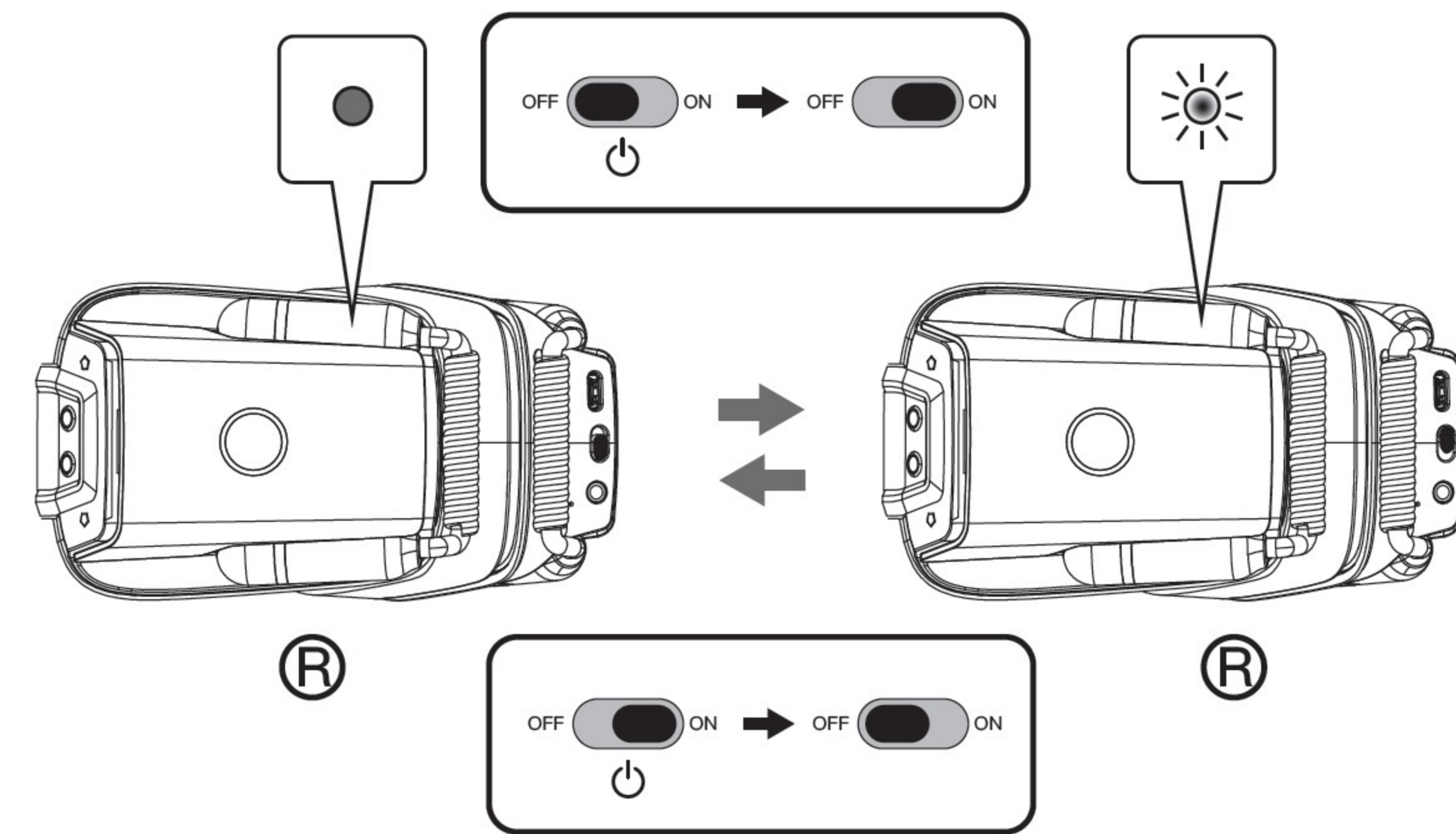
How to use the cable



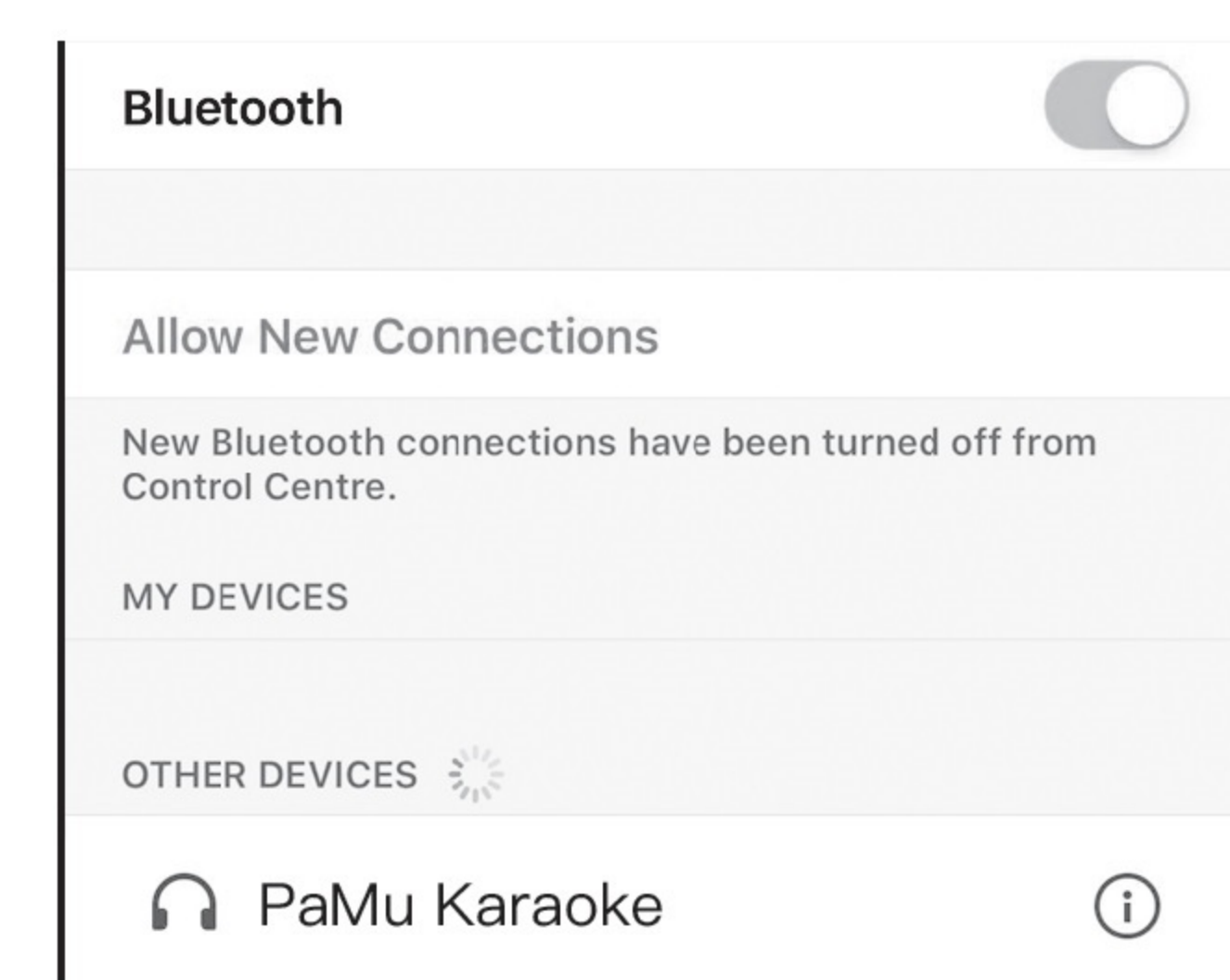
How to install the microphone rod



How to power on and power off

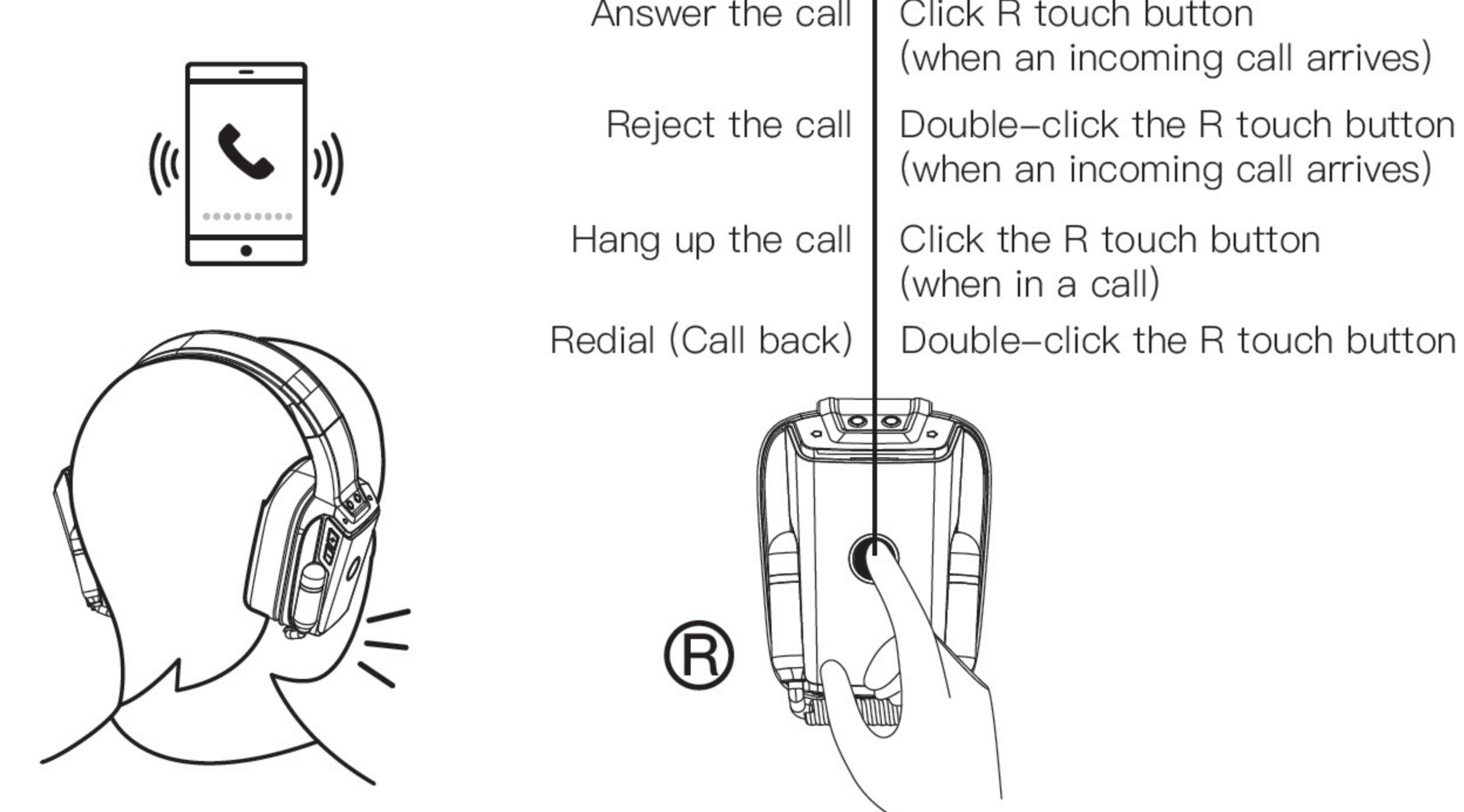


How to power on and pair the headphones

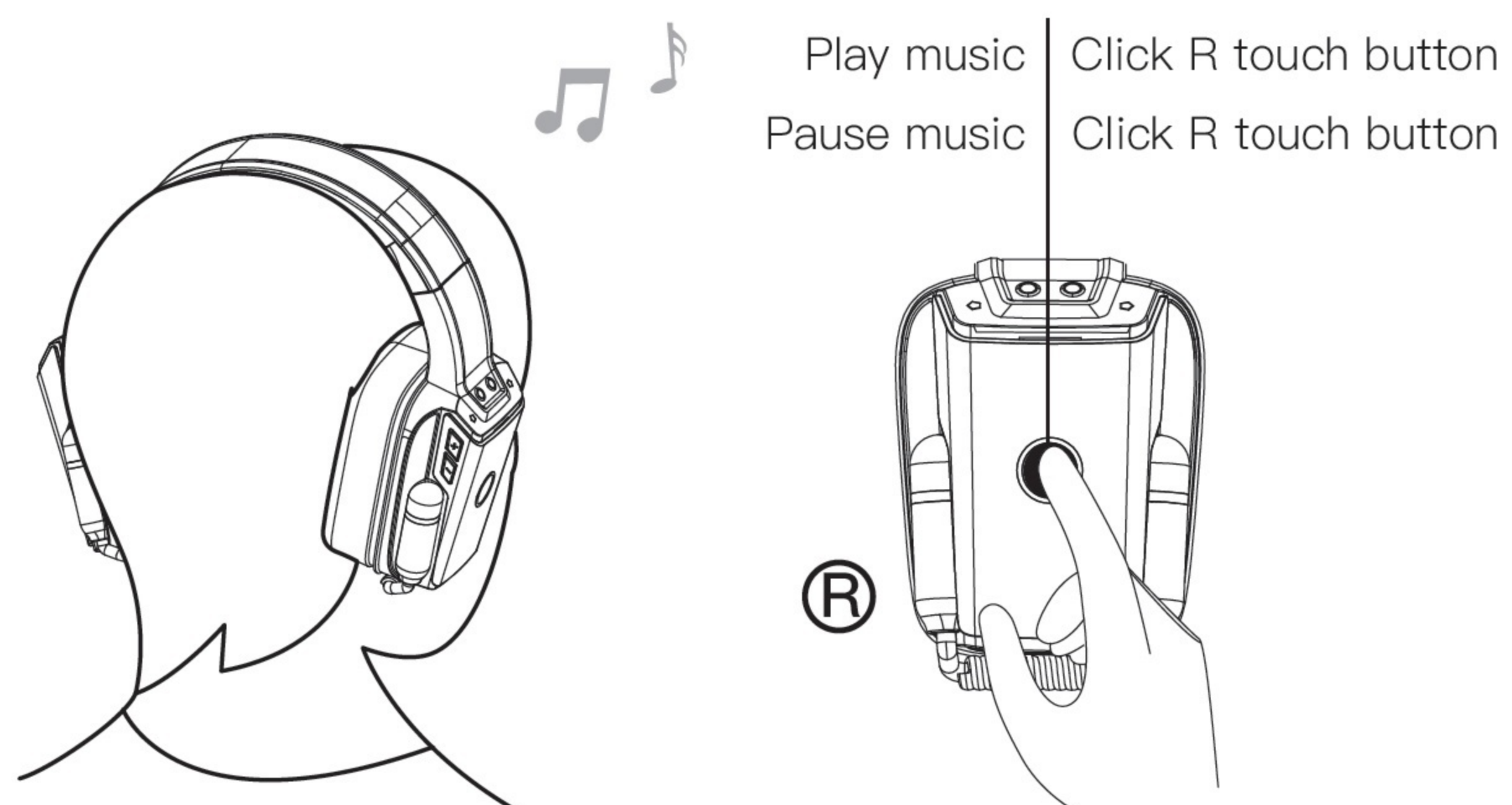


Turn on your phone's Bluetooth, search for "PaMu Karaoke" in the available devices list, and click on it to complete the pairing.

Call function.

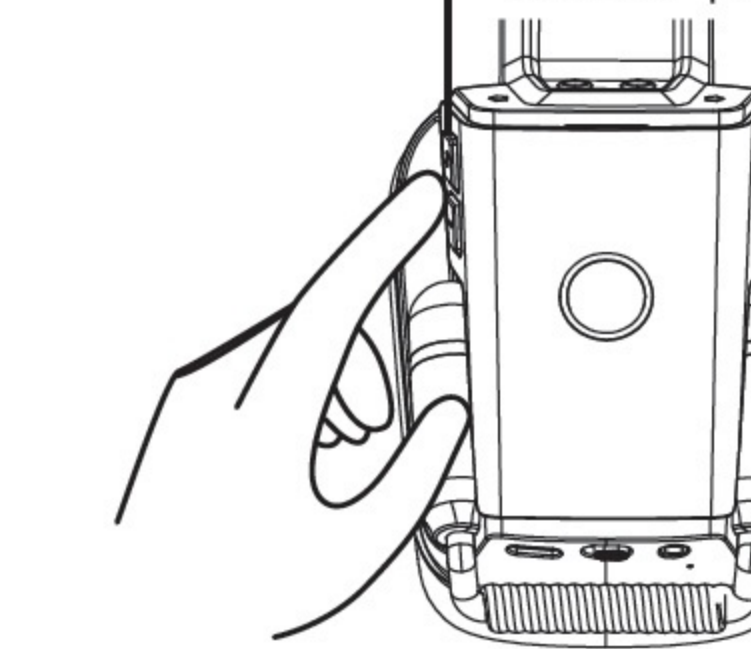


Music function.

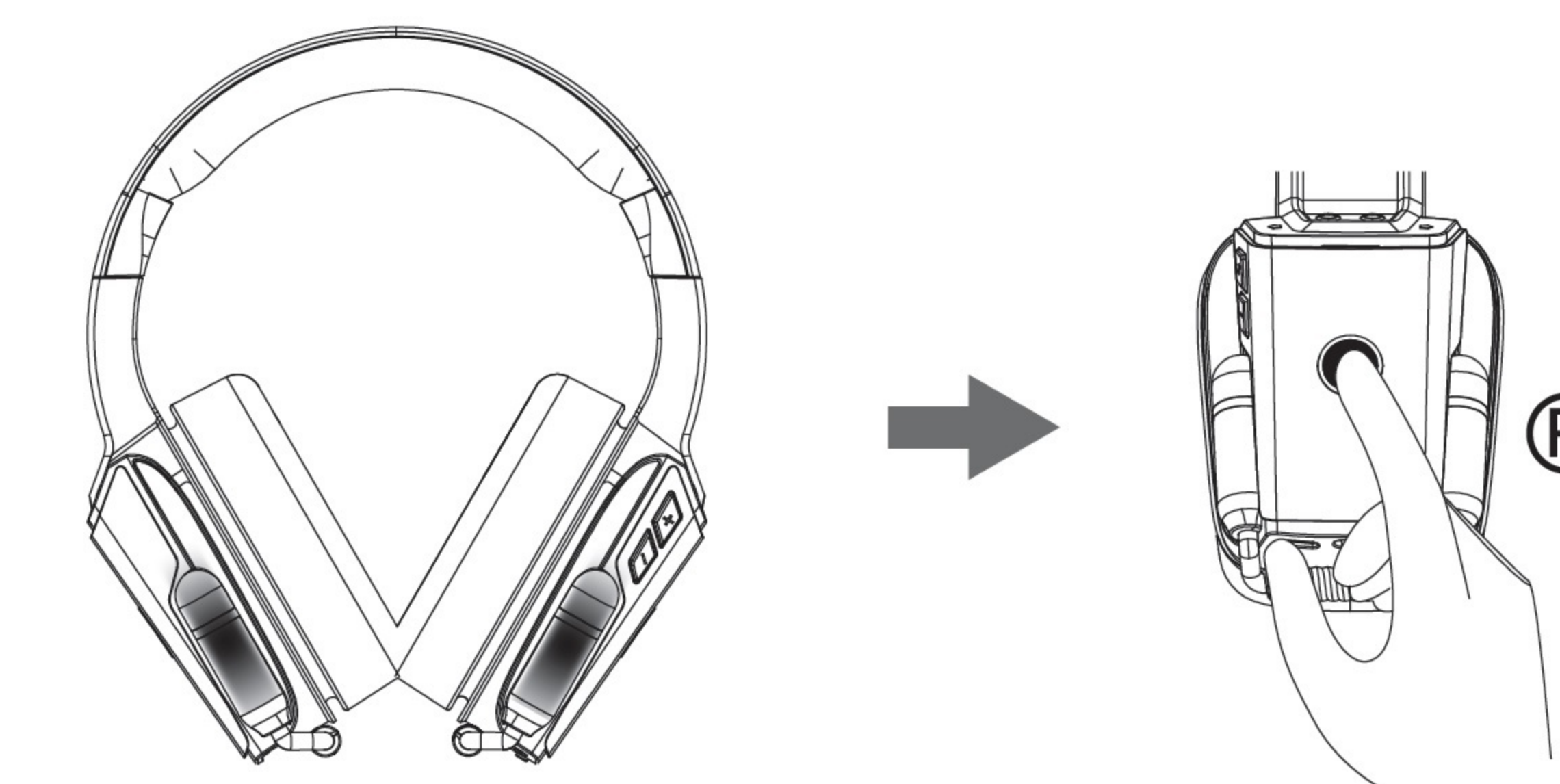


Volume and Previous/Next track functions

- Volume down: Click the volume- button (when playing music)
- Volume up: Click the volume+ button (when playing music)
- Previous track: press and hold the volume- button (when playing music)
- Next track: press and hold the volume+ button (when playing music)

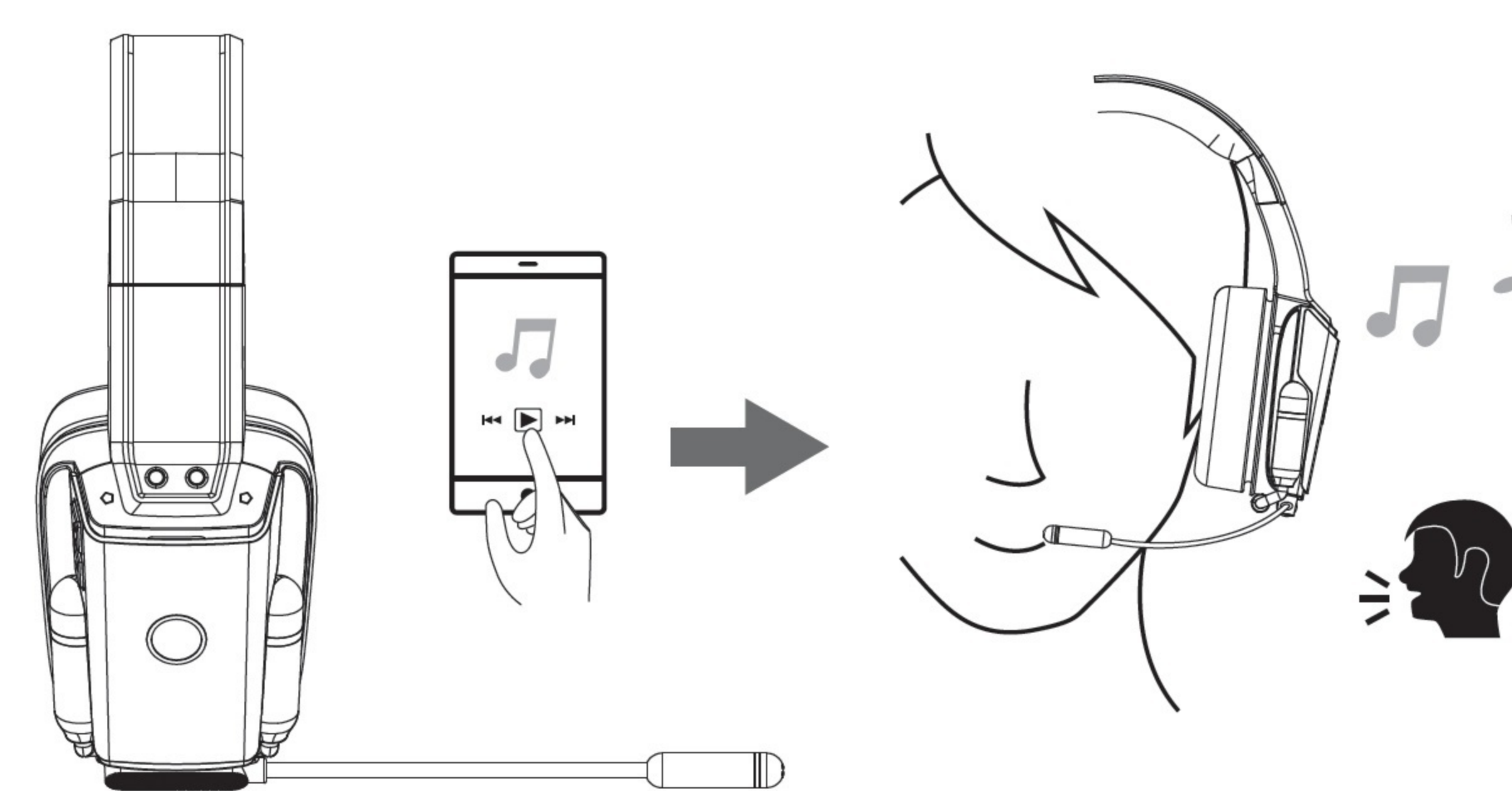


How to control the lighting



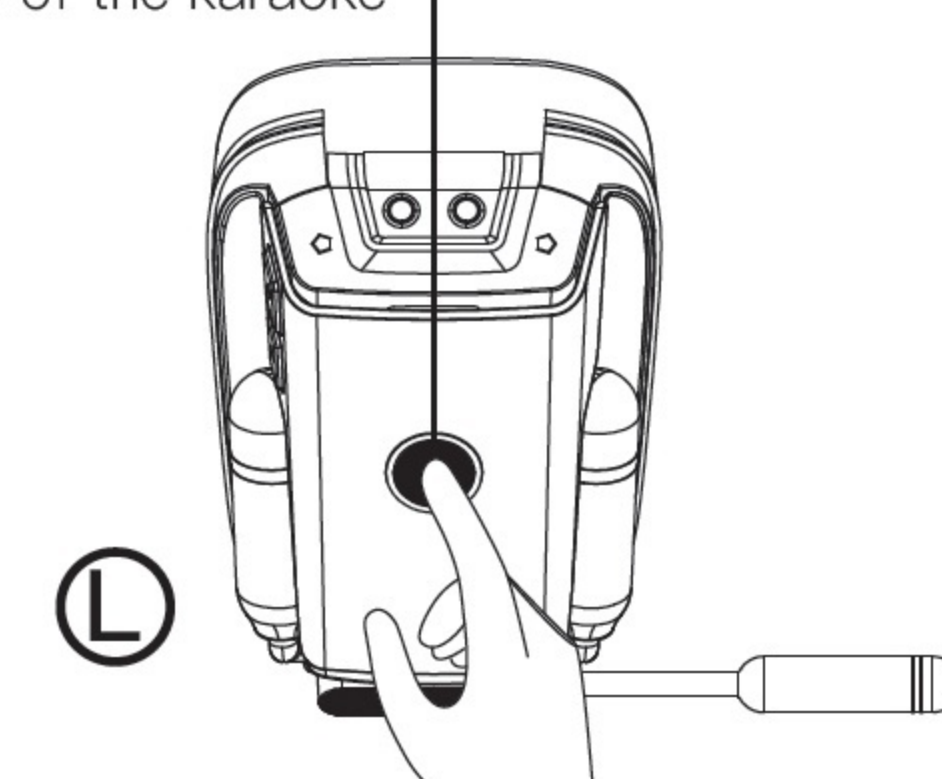
Press and hold the R touch button for 3 seconds (turn off the rocket light)

How to wear the headphones



Turn on and turn off the karaoke

- Turn on the voice change effect of the karaoke: Click L touch button
- Turn on the vocal accompaniment function of the karaoke: Double click the L touch button
- Turn off the vocal accompaniment function of the karaoke: Double click the L touch button



Warning and Declarations

AUDIO PRODUCT WARNING!

PERMANENT HEARING LOSS MAY RESULT FROM long-term EXPOSURE TO SOUNDS AT HIGH VOLUMES. USE AS LOW A VOLUME AS POSSIBLE.

Avoid prolonged use of headsets at excessive sound pressure levels.

Please read the Safety Guidelines below prior to using this product.

You can reduce the risk of hearing damage by following these safety guidelines:

1. Prior to using this product follow these steps

- Before using the product, turn the volume control to its lowest level,
- Put the headset on, if applicable
- Slowly adjust the volume control to a comfortable level.

2. During the use of this product

- Keep the volume at the lowest level possible;
- If increased volume is necessary, adjust the volume control slowly;
- If you experience discomfort or ringing in your ears, immediately discontinue using the product.

With continued use at high volume, your ears may become accustomed to the sound level, which may result in permanent damage to your hearing without any noticeable discomfort.

GENERAL SAFETY INFORMATION!

- If you have a pacemaker or other electrical medical devices, consult your physician before using this product.
- This package contains small parts that may be hazardous to children. Always store the product out of reach from children. The bags themselves or the many small parts they contain may cause choking if ingested.
- Don't disassemble the product yourself or insert any type of object into it, as this may cause a circuit failure that can lead to a fire.
- None of the components can be replaced or repaired by users. Only authorized dealers or service centers may open the product. If any parts of your product require replacement for any reason, including normal wear and tear or breakage, contact your dealer or service centers.
- Avoid exposing your product to rain or other liquids.
- Keep all products, cords, and cables away from operating machinery.
- Observe all signs and instructions that require an electrical device or RF radio product to be switched off in designated areas such as hospitals or aircrafts.
- If the product overheats, has been dropped or damaged or has been dropped in a liquid, discontinue use.

Any Changes or modifications not expressly approved by the party responsible for compliance could void the user's authority to operate the equipment.

This device complies with part 15 of the FCC Rules. Operation is subject to the following two conditions:

(1) This device may not cause harmful interference, and (2) this device must accept any interference received, including interference that may cause undesired operation.

Note: This equipment has been tested and found to comply with the limits for a Class B digital device, pursuant to part 15 of the FCC Rules. These limits are designed to provide reasonable protection against harmful interference in a residential installation. This equipment generates, uses and can radiate radio frequency energy and, if not installed and used in accordance with the instructions, may cause harmful interference to radio communications. However, there is no guarantee that interference will not occur in a particular installation. If this equipment does cause harmful interference to radio or television reception, which can be determined by turning the equipment off and on, the user is encouraged to try to correct the interference by one or more of the following measures:

- Reorient or relocate the receiving antenna.
- Increase the separation between the equipment and receiver.
- Connect the equipment into an outlet on a circuit different from that to which the receiver is connected.
- Consult the dealer or an experienced radio/TV technician for help.

This equipment complies with FCC radiation exposure limits set forth for an uncontrolled environment .

This transmitter must not be co-located or operating in conjunction with any other antenna or transmitter.

padmate®

派美特保修卡
(请保留此页作为凭证)

客户姓名 : _____
姓 别 : _____
客户地址 : _____
手机号码 : _____
产品类型 : _____
产品序列号 : _____
购买日期 : _____
销售印章 : _____
E - mail : _____
备注 :

- 1.以上信息务必完整填写并加盖销售章,以免影响正常保修。
- 2.保修卡及购物发票一经涂改,保修即时失效。
- 3.保修卡及购物发票作为本产品的保修凭证,请用户妥善保存,遗失不补。
- 4.产品保修期为自购买之日起一年内。

padmate®

Padmate Warranty Card
(Please keep this card as proof)

Customer Name: _____
Gender: _____
Address: _____
Phone No.: _____
Product Model: _____
Product Series No.: _____
Date of Purchase: _____
Purchase Stamp : _____
E - mail : _____

Notice:

1. Please fill out the form above with purchase stamp for the procedure of warranty.
2. Any change on warranty card and invoice will result in invalidation.
3. Please keep warranty card and invoice as the proof of warranty for the product. No replacement for warranty card or invoice.
4. This warranty is valid within 1 year from the date of purchase.



温馨提示

●蓝牙信号在以下环境易收到干扰:

- 1.附近有多个Wi-Fi信号或蓝牙信号的环境
- 2.机场、高铁、地铁等电磁干扰较大的环境

●由于当前蓝牙技术限制, 在玩游戏或看视频等同时有声音和画面的场景下, 可能出现声画不同步。

Tips

●Bluetooth Signal is easily interferred in the following environment.

1. Compact environment with multiple Wi-Fi signals and Bluetooth Signals.
2. Airport, railway, metro where electromagnetic interference is strong.

●Current bluetooth technology cannot guarantee synchronization of gaming and video playing.

更多测试报告及合格证信息, 请从以下链接下载:
More about test reports and DOC, please download from:



<https://padmate-tech.com/pages/test-report-download>