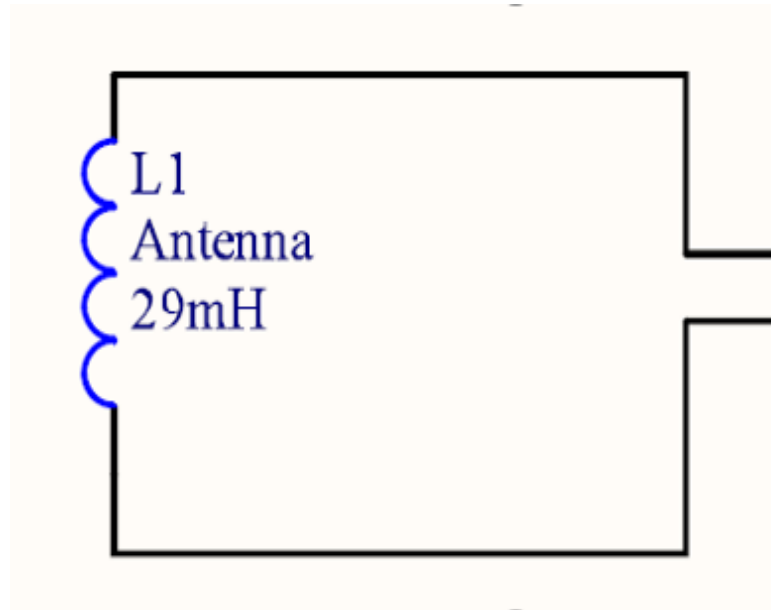
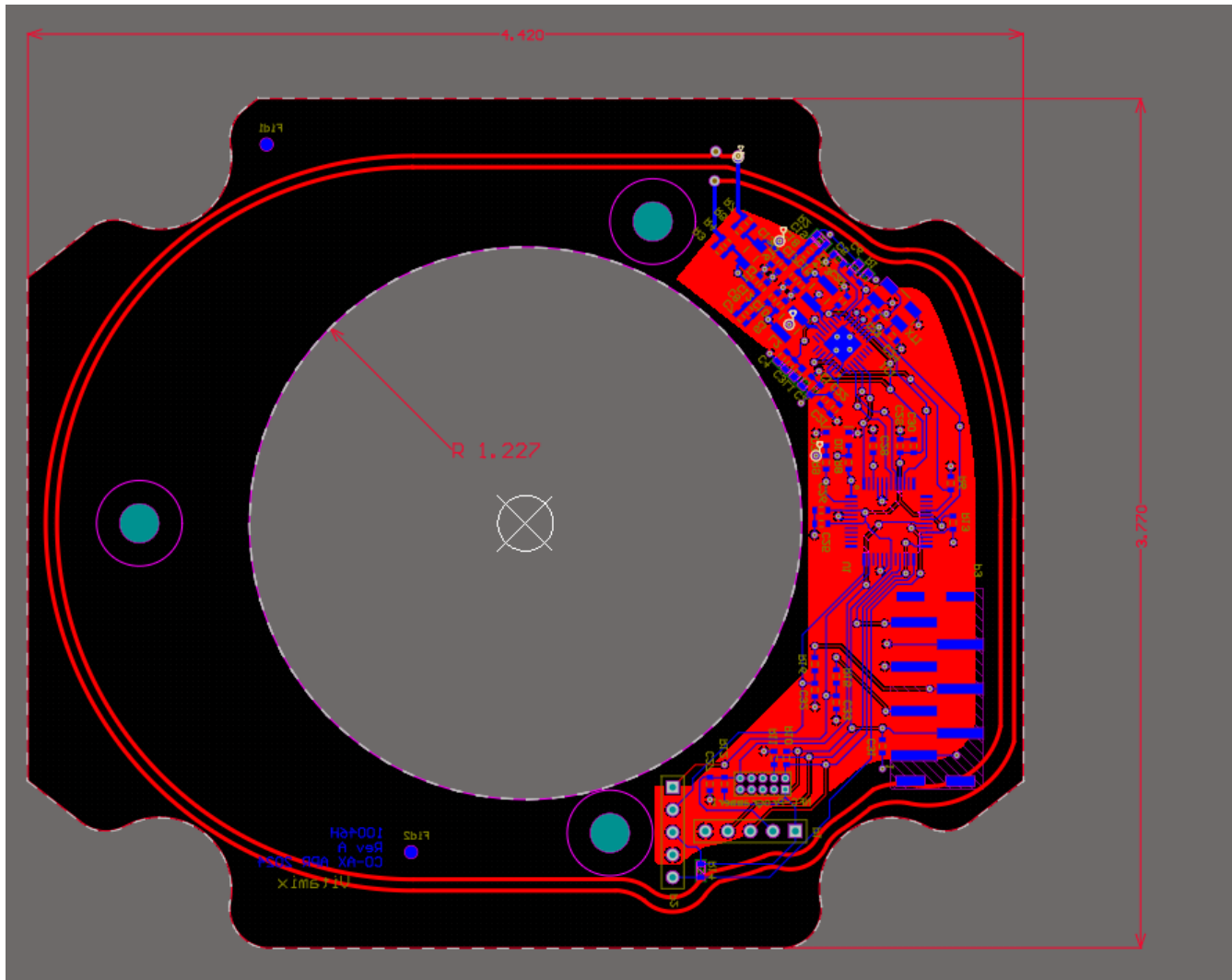


# NFC Antenna

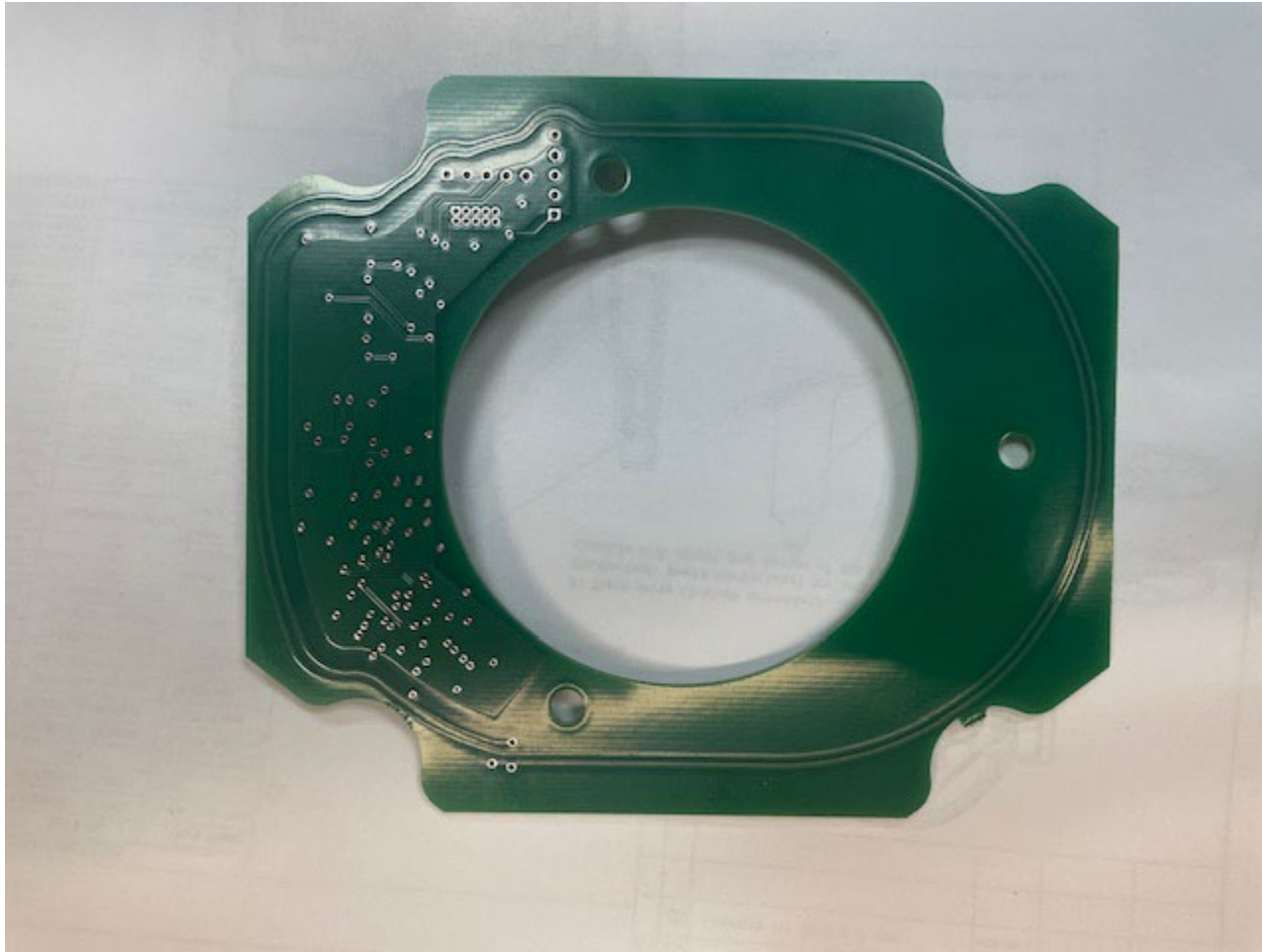


The NFC radio utilizes a loop antenna with an area of about  $0.011\text{m}^2$ . Since the antenna is only generating a magnetic field and not a RF, the gain definition is NA. The antenna coil has 2 turns. The frequency range is 13.56MHz.

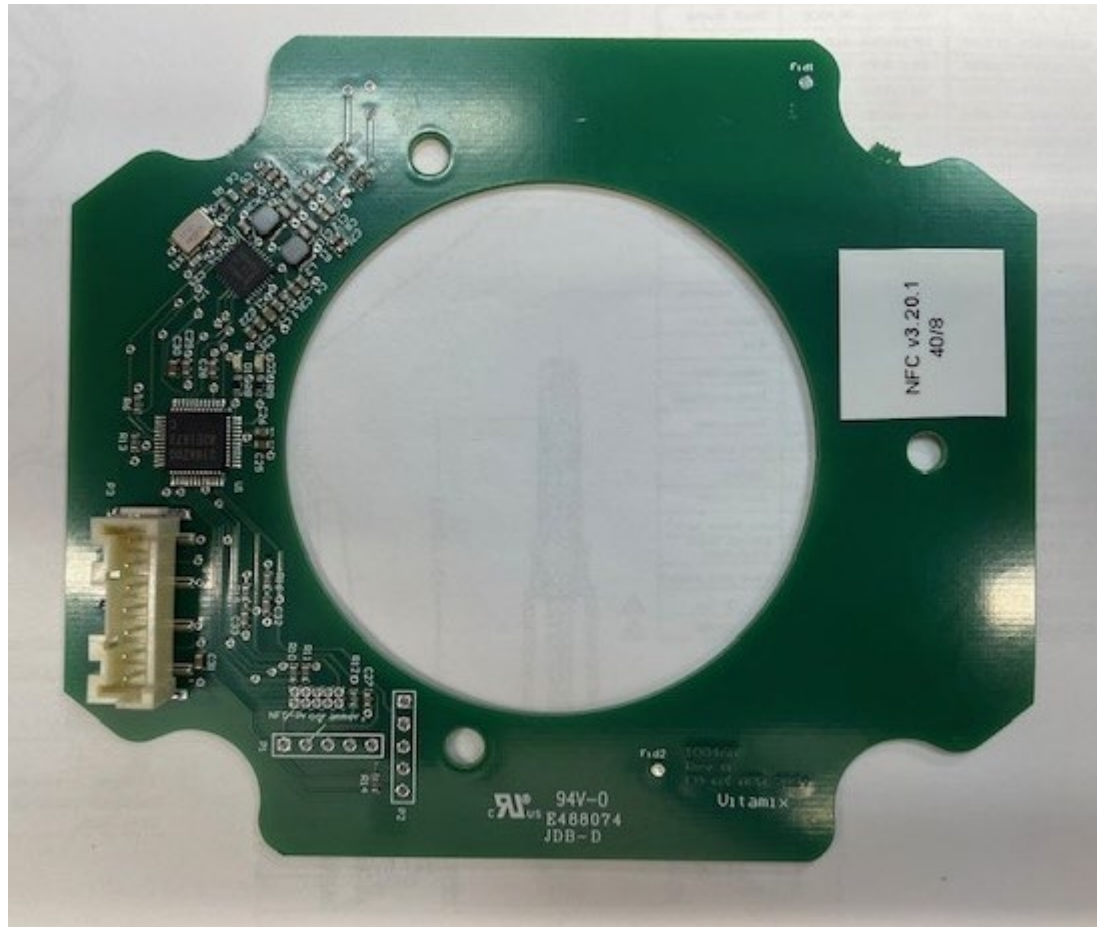
# NFC Antenna



# NFC Antenna Front



# NFC Antenna Back



# Name and address of the coil/antenna manufacturer

COAX Technologies supplies the NFC Coil Antenna.

COAX

30301 Emerald Valley Parkway

Solon Ohio, 44139

# Data Sheet

There is no datasheet available. This is a custom 2 loop COIL on a custom PCB.

# Part Number

The part number of PCBA assembly is 146140

# NFC Information

- For Reader to Tag: 100%ASK miller modified coding
- For Tag to Reader: load modulation at 848 kHz subcarrier, on/off keying, Manchester
- Frequency: 13.56 MHz
- Power Output: Not considered an RF source (Need matched coil to receive magnetic field)



# Antenna patterns (2D or 3D)

N/A – it is a coupled coil