



User Manual

PRODUCT NAME

Wireless module

MODEL / Series / Product Number

P5740-162

SMC Corporation



Contents

Introduction	4
Specification	4
Pin description	5
Dimensions	6

Caution

Notice:

Changes or modifications not expressly approved by the manufacturer could void the user's authority to operate the equipment.

NOTE:

This equipment has been tested and found to comply with the limits for a Class B digital device, pursuant to part 15 of the FCC rules. These limits are designed to provide reasonable protection against harmful interference in a residential installation. This equipment generates, uses and can radiate radio frequency energy and, if not installed and used in accordance with the instructions, may cause harmful interference to radio communications. However, there is no guarantee that interference will not occur in a particular installation. If this equipment does cause harmful interference to radio or television reception, which can be determined by turning the equipment off and on, the user is encouraged to try to correct the interference by one or more of the following measures:

1. Reorient or relocate the receiving antenna.
2. Increase the separation between the equipment and receiver.
3. Connect the equipment into an outlet on a circuit different from that to which the receiver is connected.
4. Consult the dealer or an experienced radio/TV technician for help.

This equipment has been tested and found to comply with Part 15 of the FCC Rules. Operation is subject to the following two conditions:

- (1) This device may not cause harmful interference
- (2) This device must accept any interference received, including interference that may cause undesired operation.

This device complies with part 15 of the FCC Rules. Operation is subject to the following two conditions:

- (1) this device may not cause harmful interference, and
- (2) this device must accept any interference received, including interference that may cause undesired operation.

This device is authorized under Title 47 CFR 15.519 (the FCC Rules and Regulations).

The operation of this device is subject to the following restriction:

The changes or substitutions of the antennas which are furnished with the device is prohibited.

FCC ID : 2AJE7SMC-WEX07 IC: 21344-WEX07

This device complies with Industry Canada license-exempt RSS standard(s). Operation is subject to the following two conditions: (1) this device may not cause interference, and (2) this device must accept any interference, including interference that may cause undesired operation of the device.

Le présent appareil est conforme aux CNR d'Industrie Canada applicables aux appareils radio exempts de licence. L'exploitation est autorisée aux deux conditions suivantes : (1) l'appareil ne doit pas produire de brouillage, et (2) l'utilisateur de l'appareil doit accepter tout brouillage radioélectrique subi, même si le brouillage est susceptible d'en compromettre le fonctionnement.

Caution

This device and its antenna(s) must not be co-located or operation in conjunction with any other antenna or transmitter. Changes or modifications not expressly approved by the party responsible for compliance could void the user's authority to operate the equipment. The antenna must be installed by a professional.

"Operation is subject to the following two conditions: (1) this device may not cause interference, and (2) this device must accept any interference, including interference that may cause undesired operation of the device."

Le présent appareil est conforme aux CNR d'Industrie Canada applicables aux appareils radio exempts de licence. L'exploitation est autorisée aux deux conditions suivantes : (1) l'appareil ne doit pas produire de brouillage, et (2) l'utilisateur de l'appareil doit accepter tout brouillage radioélectrique subi, même si le brouillage est susceptible d'en compromettre le fonctionnement.

"This Class B digital apparatus complies with Canadian ICES-003."

Cet appareil numérique de la classe B est conforme à la norme NMB-003 du Canada.

"This device and its antenna(s) must not be co-located or operating in conjunction with any other antenna or transmitter."

Cet appareil et son antenne (s) ne doit pas être co-localisés ou fonctionnant en conjonction avec une autre antenne ou transmetteur.

"This equipment should be installed and operated with a minimum distance of 20cm between the radiator and your body"

Cet équipement doit être installé et utilisé à une distance minimale de 20cm entre le radiateur et votre corps.

End Product Labeling

This transmitter module is authorized only for use in device where the antenna may be installed such that 20cm may be maintained between the antenna and users. The final end product must be labeled in a visible area with the following: "Contains FCC ID: 2AJE7SMC-WEX07 " and "Contains IC: 21344-WEX07 "

Information for the OEMs and Integrators

The following statement must be included with all versions of this document supplied to an OEM or integrator, but should not be distributed to the end user.

- 1) This device is intended for OEM integrators only.
- 2) Please see the full Grant of Equipment document for other restrictions.

This radio transmitter FCC ID: 2AJE7SMC-WEX07 and IC: 21344-WEX07 has been approved by FCC to operate with the antenna types listed below with the maximum permissible gain and required antenna impedance for each antenna type indicated. Antenna types not included in this list, having a gain greater than the maximum gain indicated for that type, are strictly prohibited for use with this device.

Antenna List

No.	Manufacturer	Part No.	Antenna Type	Peak Gain
1	SMC	P5740-162	PCB Antenna	1.83 dBi for 2.4 GHz
2	SMC	P5740-164	whip Antenna	1.49 dBi for 2.4 GHz

Introduction

P5740-162 is a wireless module which provides a SPI interface for MCU communication. It comes with the SMC original protocol using 2.4GHz ISM band.

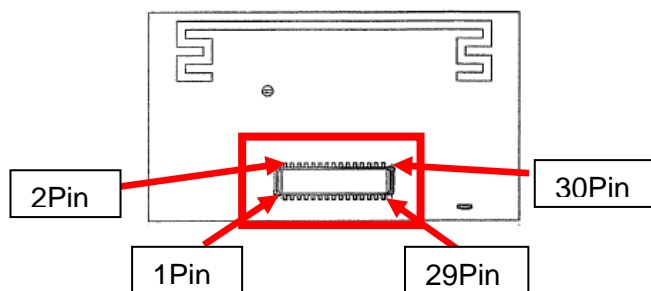
The frequency hopping period and the data rate can be switched between 2ms(1000kbps) / 5ms(250kbps). Moreover, the frequency channel numbers can be selected from 5 to 79.

Specification

Wireless module model No.	P5740-162
Wireless module version	Hardware : Ver.1.00 Wireless software : Ver.1.00
Frequency range	2.4GHz (2403MHz ~ 2481MHz)
Frequency Channel	79ch~15ch (ch separation min.1MHz)
Protocol	SMC original protocol
Encryption	SMC original encryption
Radio wave type	Frequency Hopping Spread Spectrum (FHSS)
Output level	20dBm eirp
CCA	Adaptive
Modulation	GFSK
Data Rate	1000kbps / 250 kbps
Deviation	250kHz (1000kbps) / 62.5kHz (250kbps)
Frequency hopping period	2ms(1000kbps) / 5ms(250kbps)
Antenna	PCB antenna(1.83dBi) / Whip antenna(1.49dBi)
Dimensions	42.4 x 24.0 x 7.8mm
Weight	5g
Ambient operating temperature	-10 to +50°C
Ambient storage temperature	-20 to +60°C
Ambient humidity	35 to 85% RH (no condensation)
Power supply voltage	3.3 VDC ±5%
Current consumption	90m A

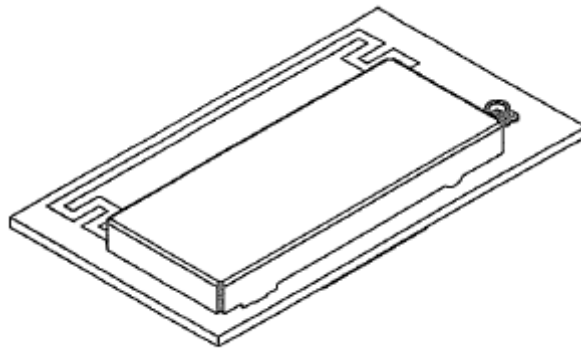
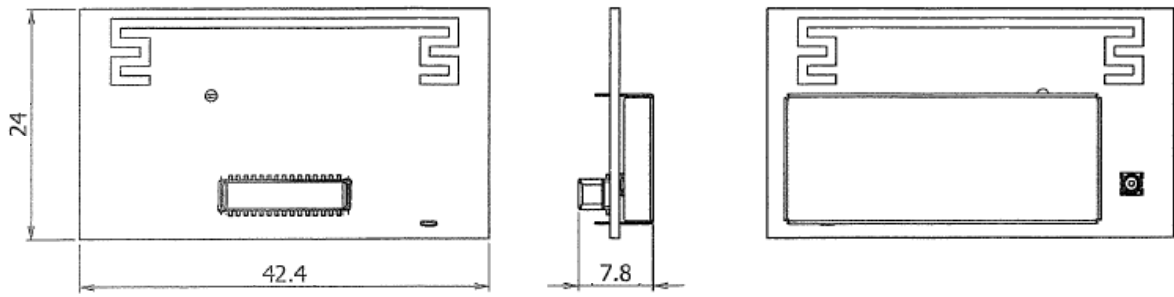
Pin Description

Pin No.	Name	Description
1	3.3V_C	VCC +3.3V DC
2	N.C.	No Connection
3	3.3V_C	VCC +3.3V DC
4	N.C.	No Connection
5	NIRQ	I2C interrupt : Output
6	PB11	Digital I/O
7	PB12	Digital I/O
8	PB13	Digital I/O
9	PC11	Digital I/O
10	PF4	Digital I/O
11	PF7	Digital I/O
12	N.C.	No Connection
13	EFR_RQ1	Request from MCU : Input
14	I2C0_SDA	I2C Data : Input/Output
15	EFR_RQ2	Request to MCU : Output
16	I2C0_SCL	I2C Clock : Output
17	N.C.	No Connection
18	BUSBY_BUSAX	Analog I/O
19	OPA0_P	Analog I/O
20	OPA0_N	Analog I/O
21	OPA0_OUT	Analog I/O
22	N.C.	No Connection
23	US0_CS	SPI Chip Select : Input
24	US0_RX	SPI Rx : Input
25	US0_TX	SPI Tx : Output
26	US0_CLK	SPI Clock : input
27	N.C.	No Connection
28	0V_US1	Ground
29	N.C.	No Connection
30	0V_US1	Ground



Dimensions

•P5740-162



Revision history

SMC Corporation

4-14-1, Sotokanda, Chiyoda-ku, Tokyo 101-0021 JAPAN
Tel: + 81 3 5207 8249 Fax: +81 3 5298 5362
URL <http://www.smcworld.com>

Note: Specifications are subject to change without prior notice and any obligation on the part of the manufacturer.
© 2021 SMC Corporation All Rights Reserved

