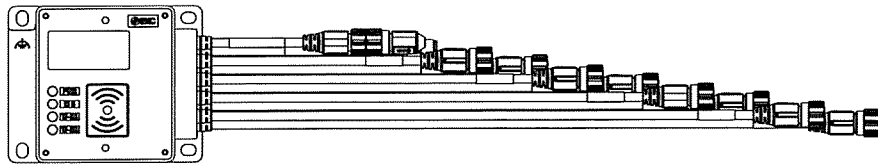
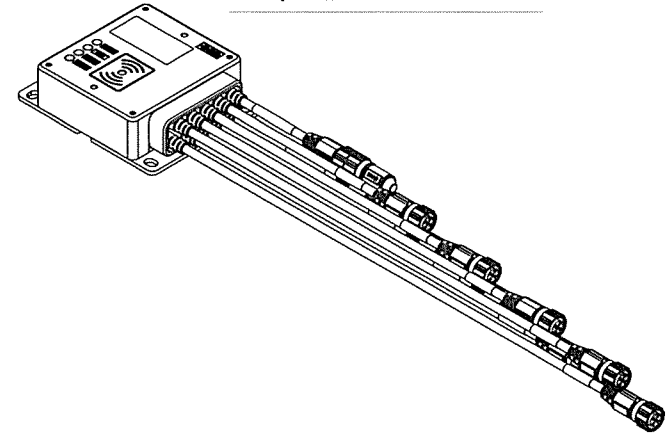
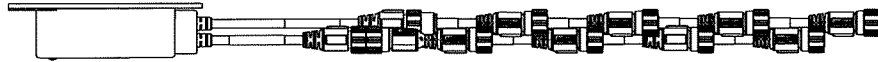
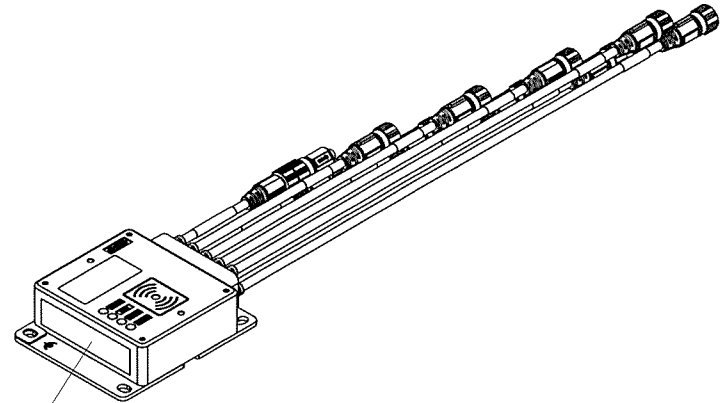


Model Number : EX600-WDXA1 and EX600-WDYA1

FCC ID: 2AJE7SMC-WEX04  
IC: 21344-WEX04



Label Location



Label Location

3D Model

Label material: Polycarbonate Film  
The FCC ISED label is permanently affixed on the device with an acrylic type adhesive.

TOLERANCES JIS B 0405		DRAWN	C. Shirao	SCALE		FINISH	
RANGE (mm)		DATE	2020-07-17			PAINT	
0.5-0.63	0.05/0.1/0.2	DESIGNED	K. Kuniti			MASS	
0.6-0.8	0.05/0.1/0.3	DATE	2020-07-17			PACKING	
0.8-1.0	0.1/0.2/0.5	CHECKED				MATERIAL	
1.0-1.2	0.15/0.3/0.6	DATE				MODEL	BY
1.2-1.6	0.2/0.5/1.2	APPROVED				THIRD ANGLE	
1.6-2.0	0.3/0.8/2	DATE					
2.0-2.5	0.5/1.2/3						
2.5-3.0	0.8/2/3						
DWG NAME				FCC ISED Label Location			
DWG NO				Wireless remote unit(EX600-WD#A1)			
REV NO				REV NO			
REV 1				REV 1			