



P5744-103

DWG NO

10

This device complies with part 15 of the FCC Rules. Operation is subject to the following two conditions : (1) This device may not cause harmful interference, and (2) this device must accept any interference received, including interference that may cause undesired operation. FCC ID : 2AJE7SMC-DIV5

60

4xR1

## 注 記

- 版下データNo. C05147-Aを使用する。  
地：アーバンホワイト1  
指示以外のスミ部：DIC 545（ダークグレー）
- 印刷された文字は鮮明であること。
- 裏面の糊印刷は704接着剤を使用のこと。  
材質はC110C（ポリカーボネート） $t=0.18$ とする。
- 指示無き寸法公差は、JIS B0405-mのこと。

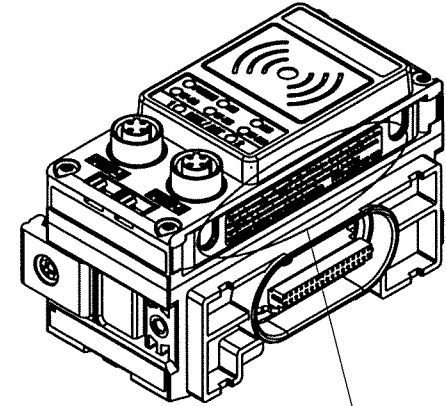
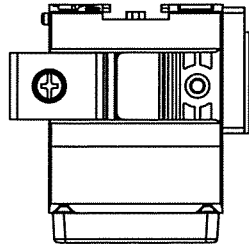
Label material: Polycarbonate Film

The FCC ID label is permanently affixed on the device with an acrylic type adhesive.

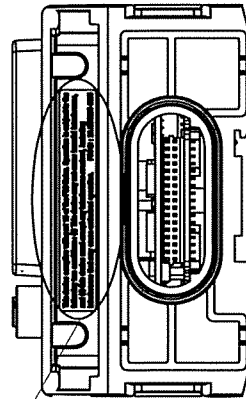
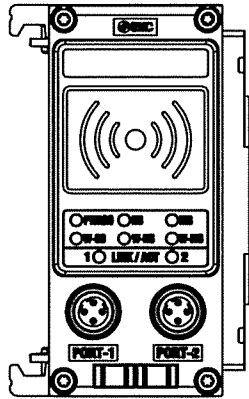
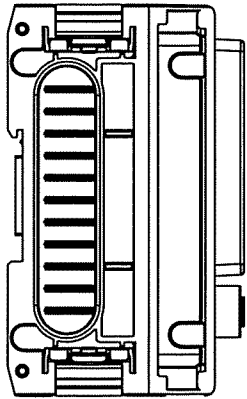
FINISH: 表面処理/PAINT: 塗装/MASS: 質量/PACKING: 包装区分/MATERIAL: 材質/MATERIAL SIZE: 材料寸法

				FINISH			
				PAINT			
				MASS			
				PACKING		EX600-WSV* 1	
				PACKING		EX600-WEN* 1	
REV	QTY	DESCRIPTION	DATE PREPARED	REV NO	MATERIAL	MODEL	QTY
0	-	初版	2016-10-17 K. Kunii	-	C110C		
TOLERANCES JIS B 0405				SCALE		THIRD ANGLE	
GRADE				2 : 1			
RANGE (mm)	f	m	c	DRAWN	DWG NAME		
	±	±	±	C. Shiroo	FCC IDラベル		
0.5 ≤ D ≤ 3	0.05	0.1	0.2	DATE	DWG NO		
3 < D ≤ 6	0.05	0.1	0.3	2016-10-17	P5744-103		
6 < D ≤ 30	0.1	0.2	0.5	DESIGNED	REVISION		
30 < D ≤ 120	0.15	0.3	0.8	K. Kunii			
120 < D ≤ 400	0.2	0.5	1.2	DATE			
400 < D ≤ 1000	0.3	0.8	2	CHECKED			
1000 < D ≤ 2000	0.5	1.2	3	DATE			
APPROVED				DWG ID		SMC Corporation	
DATE				BA48112700			
DWG REC							

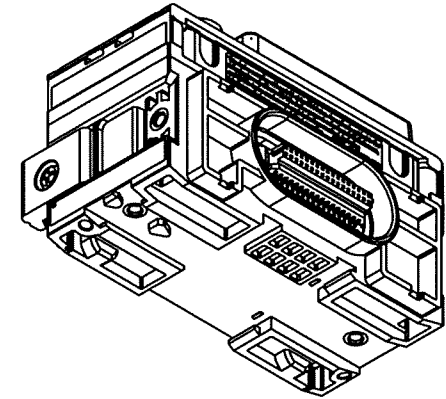
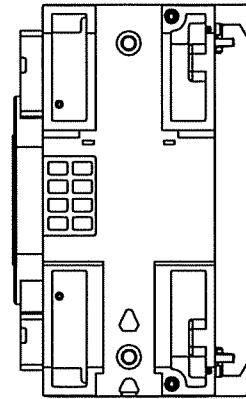
FCC ID: 2AJE7SMC-DIV5



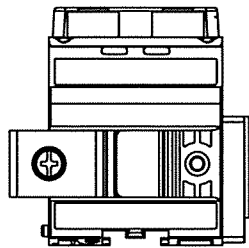
Label Location



Label Location



3D Model

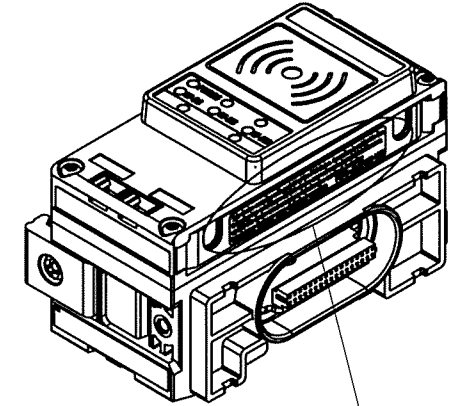
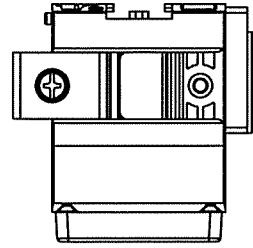


※Label material: C110C, (Polycarbonate)

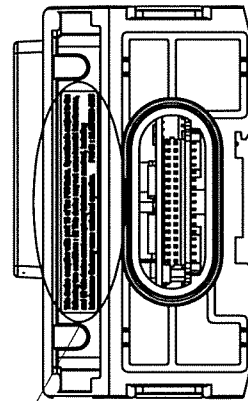
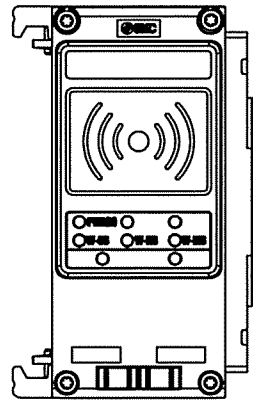
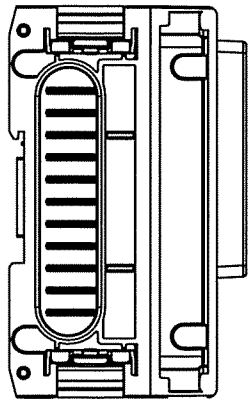
The FCC ID label is permanently affixed on the device with an acrylic type adhesive.  
(Refer to FCC label drawing (P5744-103) for details.)

FINISH				
PAINT				
MASS				
PACKING				
MODEL				
REVISION				
REV	QTY	DESCRIPTION	DATE PREPARED	REV NO
		TOLERANCES JIS B 0405	DRAWN C. Shiroo	SCALE
		RANGE (mm)	DATE 2016-10-14	
		GRADE	DESIGNED K. Kunii	DWG NAME
		T	DATE 2016-10-14	FCC ID Label Location
		F	CHECKED	DWG NO
		M	DATE	Wireless Master unit (EX600-WEN3/4-X40)
		C	APPROVED	REVISION
		F	DATE	

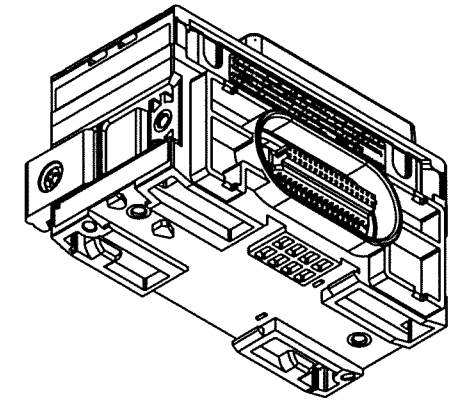
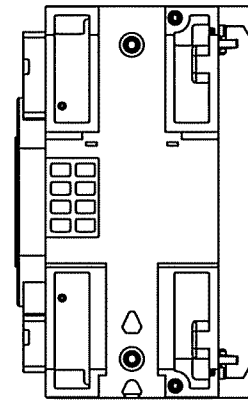
FCC ID:2AJE7SMC-DIV5



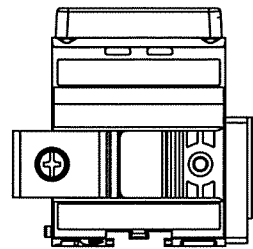
Label Location



Label Location



3D Model



※Label material: C110C, (Polycarbonate)

The FCC ID label is permanently affixed on the device with an acrylic type adhesive.  
(Refer to FCC label drawing (P5744-103) for details.)

						FINISH			
						PAINT			
						MASS			
						PACKING			
REV	QTY	DESCRIPTION		DATE PREPARED	REV NO	MATERIAL		MODEL	QTY
		TOLERANCES JIS B 0405		DATE	SCALE	MATERIAL SIZE		THIRD ANGLE	
RANGE (mm)		T	R	C	DATE				
0.50±0.3		±0.05	0.1	0.3	DESIGNED	K. Kuniti		DWG NAME	
3±0.06		±0.05	0.1	0.3	DATE	2016-10-14		FCC ID Label Location	
6±0.030		±0.1	0.2	0.5	CHECKED			DWG NO	
30±0.120		±0.15	0.3	0.8	DATE				
120±0.400		±0.2	0.5	1.2	APPROVED			Wireless Slave unit(EX600-WSV3/4-X41)	
400±0.1000		±0.3	0.8	2	DATE				
1000±0.2000		±0.5	1.2	3					