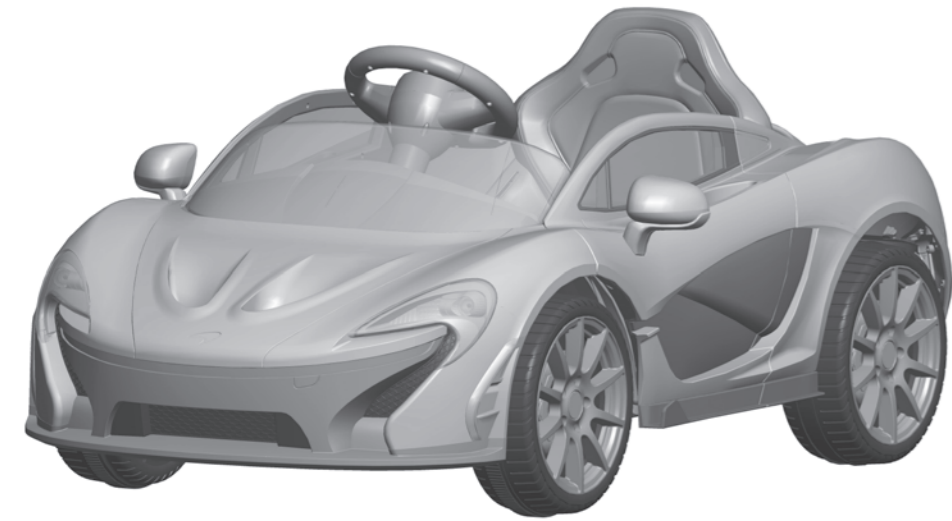


Installation and Operating Instructions of McLaren Electric Baby Car

McLaren P1™



Please read the operating instructions carefully before use

Contents

- I. Product Specifications and Parameters
- II. Components List
- III. Assembly Diagram
- IV. Installation and replacement of remote control batteries
- V. Function and Operation
- VI. Battery and Charger Operating Guide
- VII. Simple Fault Removal Guidance
- VIII. WARNING
- IX. Dimensions of entire car

I. Product Specifications and Parameters

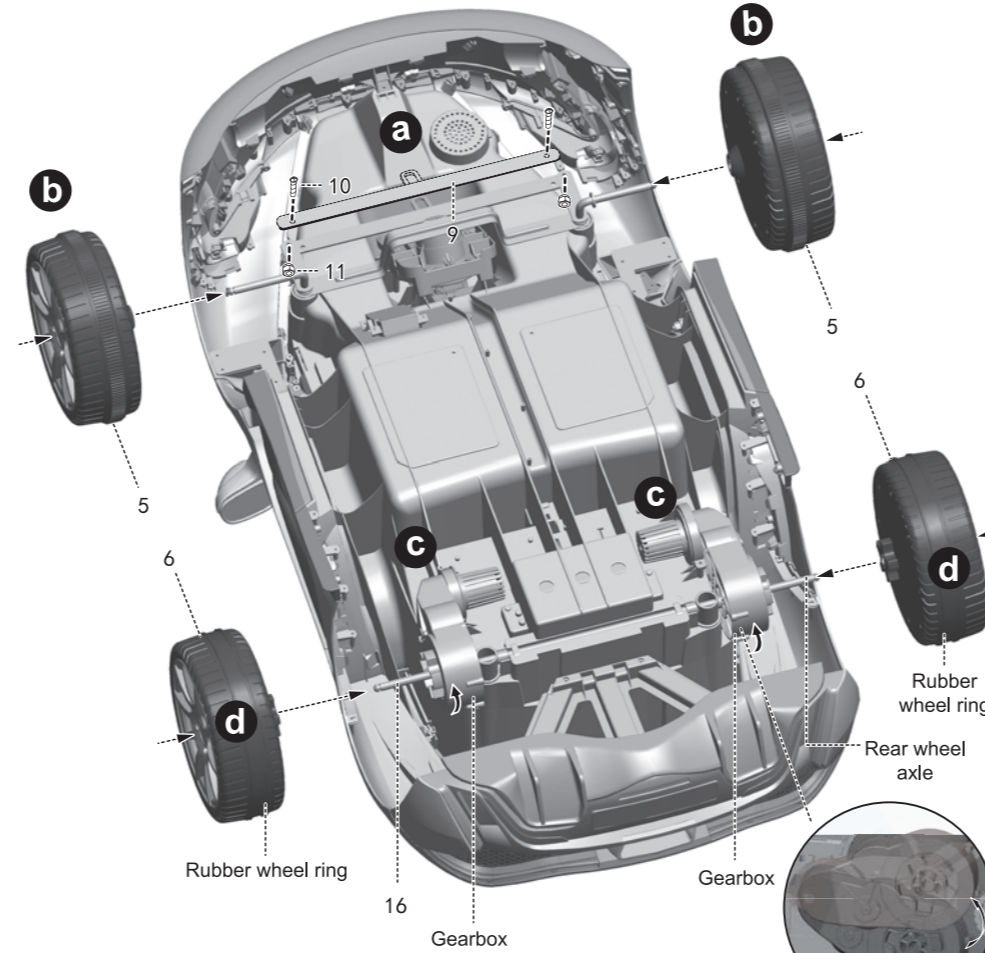
1. This product is suitable for the children of 3-6 years old, and shall be used under adult supervision!
2. Product dimensions: 126.3×64×50.3CM
3. Product maximum load weight: 30 kg
4. Product speed: three-gear speed (load: 30kg); first gear: 2.4km/h; second gear: 3.3km/h; third gear: 4.2km/h
5. Product driving motor: DC 6V/12000r (550 dual drive)
6. Product charger: input AC 100-240V (50/60Hz), output DC 15V/800mA
7. Product rechargeable battery: DC 12V/7AH (1 piece), about 200 cycles of charging and discharging
8. Remote control and manual switching functions, 2.4G one-to-one remote control function
9. Remote control DC power supply: 2×1.5V AAA battery (not included in this product)
10. Product operating ambient temperature: 0-40°C

II. Components List

1. Car Body 	8. Seat backrest 	16. Rear wheel axle
2. Windshield 	9. Front axle frame connecting-rod 	17. MP3 connecting wire
3. Steering Wheel 	10. Front axle frame connecting-rod screw (5×13PM) 2PCS 	18. Charger
4. Rear-view mirror 2PCS 	11. Front axle frame connecting-rod locknut (5MM) 2PCS 	19. Gearbox fixing J-shaped stick screw (3×10PWAB) (D=10) 2PCS
5. Wheel 2PCS 	12. J-shaped stick 	20. Remote Control
6. Driving wheel (With rubber wheel ring) 2PCS 	13. Steering wheel screw (5×33PM) 	
7. Seat 	14. Seat and backrest screw 4×15TAB(D=7.5) 4PCS 	
	15. Steering wheel locknut (5MM) 	

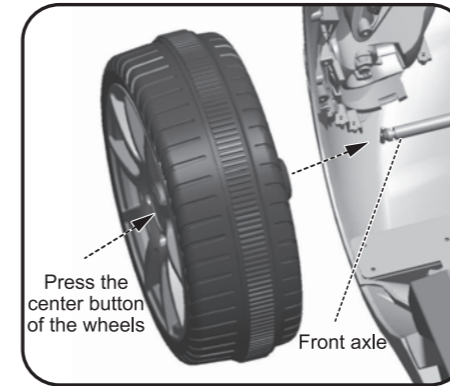
III. Assembly Diagram

1. Installation of front axle frame connecting-rod and wheel

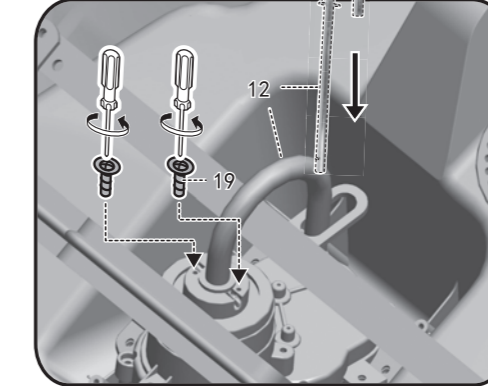


- a** Install the front axle frame connecting-rod (part 9) at the assigned location, and then tighten it with the front axle frame connecting-rod screw (part 10) and locknut (part 11). (The tightening degree shall be based on the flexible swing direction.)
- b** Use the thumb to press the wheels (part 5) center button, and then put them into the front axle in sequence.
- c** Rotate the motor gearbox upwards according to the direction indicated by the arrow until the motor gearbox hole aligns with the car body axle hole, and then insert the rear axle (part 16) into the assigned location of the car body.
- d** Use the thumb to press the center button of the driving wheels (part 6) to put them into the rear wheel axle in sequence.

2. Installation of J-shaped stick

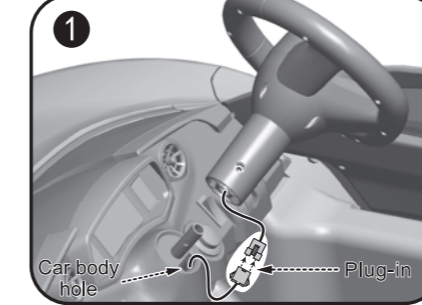


When the wheels are installed, press the center button of the wheels, insert the wheels into the front axle and fix them; press the center button of the wheels to pull out the wheels from the axle so as to remove the wheels.

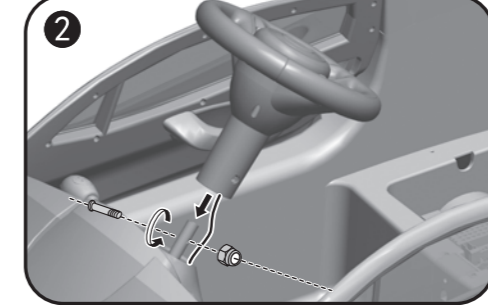


Insert the J-shaped stick (part 12) into the car-front assigned gearbox. And then tighten it with gear box fixing J-shaped stick screw (part 19) through the assigned hole.

3. Installation of steering wheel

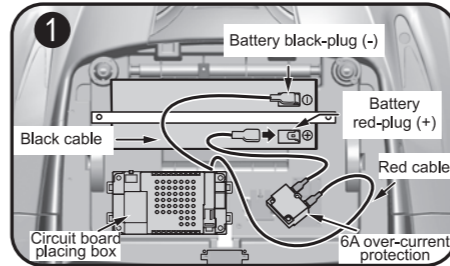


Plug the wire plug of the steering wheel into the wire plug from the car body hole correspondingly, and then put the connected plugs into the car body hole.

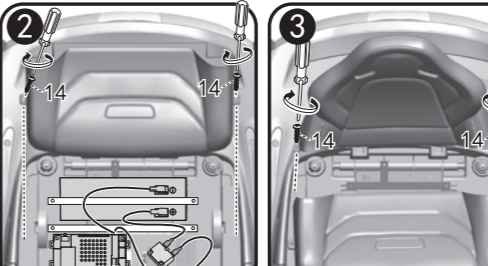


Install the steering wheel (part 3) on the J-shaped stick, and then tighten it with the steering wheel screw (part 13) and locknut (part 15).

4. Installation of power supply, seat and seat backrest



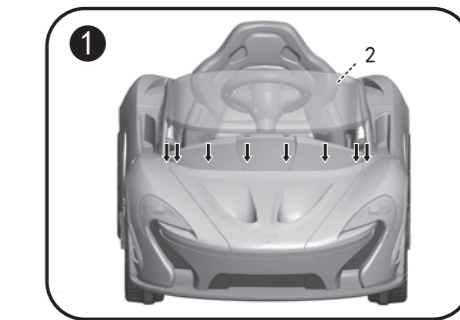
When the power supply is installed, insert the red cable terminal into the battery positive pole. Note: the red cable is connected to the battery red-plug (+), and the black cable is connected to the battery black-plug (-); namely connect same color battery cables and main distribution cables together, and the wrong connection of different color cables will cause short circuit.



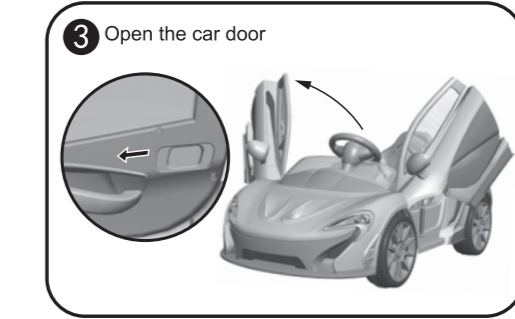
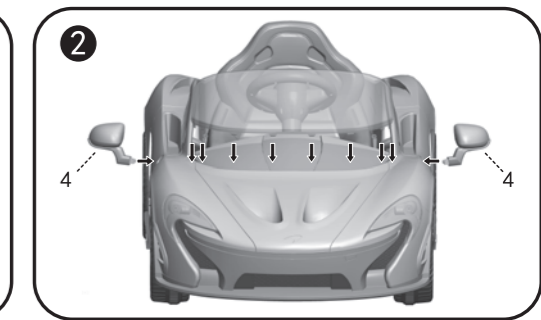
Put the seat (part 7) into the assigned location of the car body after the installation of power supply, and tighten it with the seat screw (part 14).

Put the seat backrest (part 8) into the assigned location of the car body as shown in the figure below, and tighten it with the seat backrest screw (part 14).

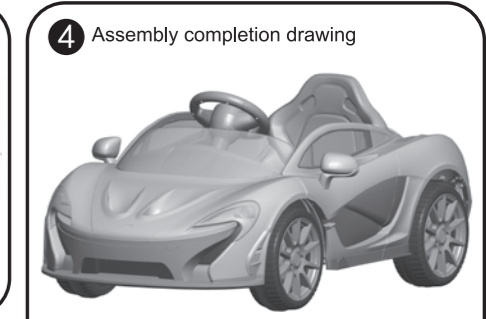
5. Installation of windshield and rear-view mirror



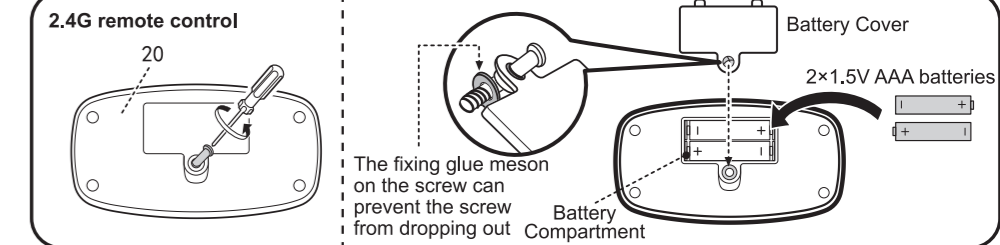
Install the windshield (part 2) and rear-view mirror (part 4) at the assigned location of the car front end, find each buckle position before installation, and then press it forcefully until each buckle position is tight.



Push the switch in the car door panel forwards, turn over the car door outwards and open the car door.



IV. Installation and replacement of remote control batteries



Unscrew the battery cover screws of the remote control (part 20), open the battery cover, find the positive and negative poles, put 2 AAA batteries into the battery compartment, close the battery cover and fix it with screws.

V. Function and Operation

1. Main functions:

- 1) Remote control and foot-tread change-over switch
- 2) Postposition dual drive: Two 6V/12000r (550) motor gearboxes can provide the strong "front or rear" power.
- 3) Forward/backward function: The right side of the dashboard is provided with the three forward gears for speed regulation, neutral gear and reverse gear (each gear has LED lamp display function.)

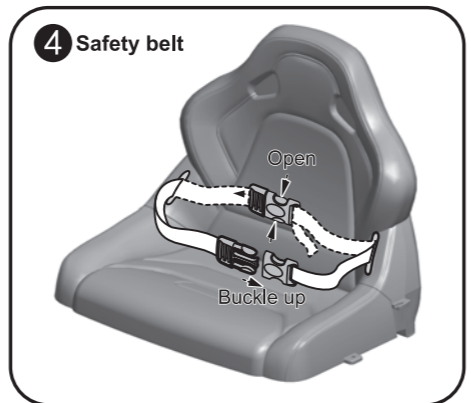
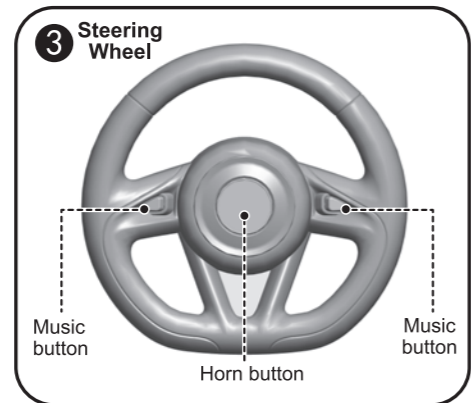
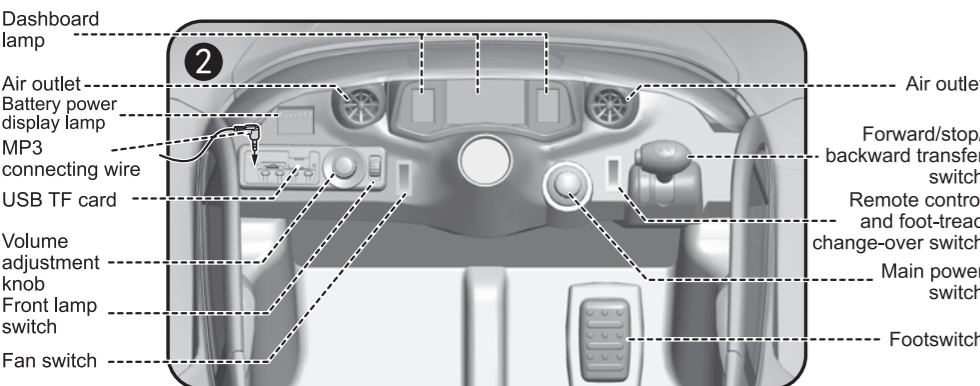
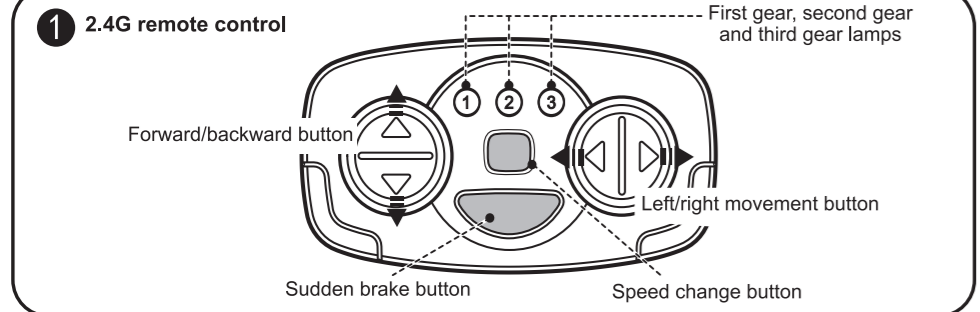
- 4) Foot-tread driving function: When the lever is in a forward or backward state, the car can move forward or backward if the footswitch is stepped, and the car will stop running if the footswitch is loosened.
- 5) Charging protection function: All functions needing to be powered by the battery will fail when the battery is being charged.
- 6) Forward/backward brake function: No matter what the forward or backward is operated, there will be the relay brake function during stop.

2. Functions of dashboard and steering wheel:

- 1) Main power switch: Press the main power switch so that the power lamp is on and the motor is in a standby state. Press it again to stop the motor.
- 2) Front lamp switch: The lower stage is off for all lamps; the middle stage is on for front lamp; the upper stage is on for front lamp and decorative lamp.
- 3) Volume adjustment: The volume of IC music, MP3 music, USB card music or TF card music player can be adjusted.
- 4) Battery power display function (conventional parameters for 7 lamps).
- 5) Horn sound button: Press the "horn sound button" to activate the horn sound.
- 6) Left/right music button on the steering wheel: Every time you press the left/right music button once, a song will start for some time.
- 7) The dashboard has the oil meter lamp function.
- 8) Fan switch (the dashboard has the air-conditioning fan function).

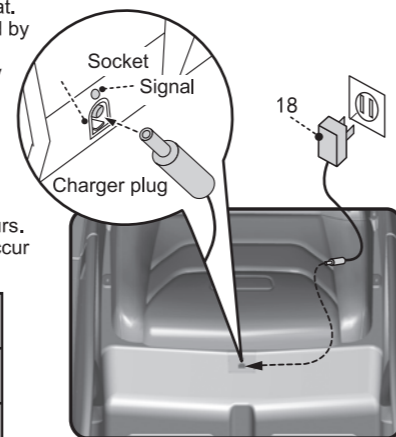
3. Normal operation:

- 1) Manual foot-tread mode:
 - A. Turn on the main power switch
 - B. Convert the switch into the foot-tread mode
 - C. Select the forward/backward direction
 - D. Select the speed gear
 - E. Footswitch
- 2) Remote control code-matching operation:
 - A. Turn on the main power switch in the car (the code-matching operation is valid within 2 min)
 - B. Simultaneously keep pressing the speed change button and sudden brake button of the remote control for 5 seconds; if the lamp of first gear, second gear and third gear twinkles, it will indicate that the code-matching action is transmitted; it will indicate that the codes are matched successfully until the lamp is on and stops twinkling; when the code-matching action is received, the front wheel will rotate leftwards for 1s and rightwards for 1s.
- 3) Remote control function:
 - A. Forward/backward button
 - B. Turn-left/right button
 - C. Sudden brake button
 - D. Speed change button
 - E. It will enter the sleep state if no operation occurs within 1 min. You can press any button to reawaken it.



VI. Battery and Charger Operating Guide

1. The charging socket is located at the lower part of the car seat.
2. The battery and charger which are provided or recommended by Chilokbo can be used only.
3. Please do not play with the charger and battery because they are not toys.
4. The battery charging operation is carried out only by adults but not children.
5. The color of the charging status lamp in the charger is red during charging and turns green after being fully charged.
6. The battery shall be fully charged before first use; the battery charging time shall be 9-10 hours and can not exceed 15 hours.
7. The lukewarm phenomenon of the charger and battery will occur during charging.



Weight Limit	30KGS	
Power Supply	Chargeable type	
Battery specifications	DC 12V/7AH	
Charging Source	Input AC 100V-240V 50Hz/60Hz	Output DC 15V/800mA
Battery charging time for every time	Charging Time:9-10 hours	Utility time:1-2 hours

VII. Simple Fault Removal Guidance

Defective conditions	Key points of inspection
1. The car can not be driven.	<ol style="list-style-type: none"> 1) You can observe the battery power display lamp when checking whether the battery power is enough. If only the red lamp is on, please charge the battery immediately. 2) Check the power switch, all plugs of the control plate under the seat, and the battery terminal line are properly inserted. 3) Check the over current protector, when the car is over loaded or blocked, the over current protector automatically disconnects the circuit to protect the motor and controlling IC board. 4) Check whether the car has been stored for a long time and its battery is not charged on time. 5) If the remote control cannot start the car, please check whether the remote control code-matching function is normally operated. 6) Check whether the remote control battery power is low.
2. Music sound is distorted or silent	Check whether the battery has enough power, otherwise charge fully.

VIII. WARNING

1. Battery warning:

- 1) If the product is not used for a long time, please fully charge the battery and then turn off the power switch for storing the car. The battery shall be recharged once every other month, otherwise the battery service life will be shortened or the battery cannot be charged again.
- 2) Pay attention to the positive and negative poles of the battery during installation (the reverse connection or short circuit of the positive and negative poles of the battery is not allowed to occur).

Battery warning:

- 1) This product needs to be provided with two DC 1.5V AAA batteries (not included in this product).
- 2) Pay attention to the positive and negative poles of the battery during installation (the reverse connection or short circuit of the positive and negative poles of the battery is not allowed to occur).
- 3) Rechargeable batteries charging operation can be carried out only by adults.
- 4) Non-rechargeable batteries cannot be charged.
- 5) The rechargeable batteries can be charged only after being taken out from the remote control battery compartment.
- 6) Please do not mix different types of batteries or used batteries and new batteries.
- 7) If this product has not been used for a long time, the batteries shall be taken out from the remote control battery compartment.
- 8) Exhausted batteries are to be removed from the toy.

2. Product warning:

- 1) There may be potential sharp edges, sharp points or small parts before the assembly of this product, and therefore this product shall be assembled by the adult.
- 2) To avoid suffocation, keep the plastic bag away from children. Dispose of all bags immediately.
- 3) The children shall correctly use the car under the adult guidance and supervision, otherwise they may make themselves or the others injured.
- 4) The car is suitable for being driven on the flat ground and strictly prohibited to be driven in such dangerous places as street, road, sleep slope and beside swimming pool, otherwise the traffic and drowning accidents may occur.
- 5) Please put on shoes and protection equipment before use, such as fastening the safety belt and putting on the helmet, gloves, knee pads, etc.
- 6) Small parts possibly fall off when this product is used improperly. So, it is unsuitable for children under 36 months old.
- 7) Regularly check whether the battery, charger, wire, plug, casing and other parts are damaged; if the damage occurs, please cease to use this product until it has been repaired.
- 8) This product is only allowed to be used by a child; the maximum load is 30kg, and therefore the overload is not allowed.
- 9) Keep away from fire.
- 10) The product instructions shall be kept as they contain important information.

3. WARNING:



To reduce the risk of injury, adult supervision is required. Strictly forbidden using on the roadways, near motor vehicles, slopes, swimming pools and where there is water; Please wear shoes; this toy car can only be used simultaneously by one person. Keep away from kids before assembled by adult, as there are potentially sharp edges, points, or small parts.



Do not mix alkaline battery, standard (carbon-zinc) battery or rechargeable (nickel-cadmium) battery.

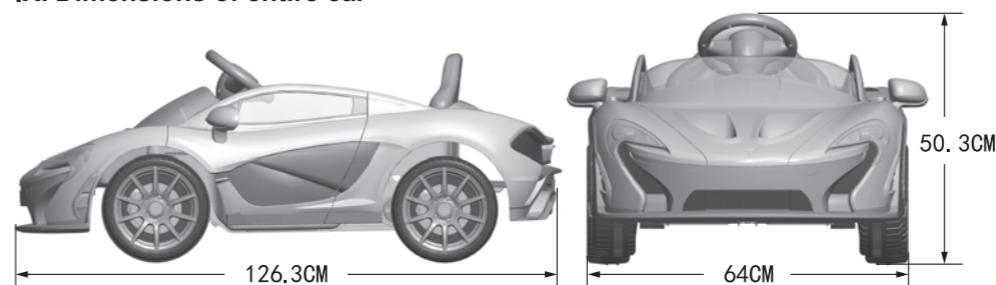


Protective equipment should be worn. Not to be used in traffic.



This product is unsuitable for children under 3 years due to its maximum speed.

IX. Dimensions of entire car



Manufactured under license from McLaren Automotive Limited. The McLaren name and logo are registered trademarks of McLaren. They are used by Chi Lok Bo Toys Company Limited under license.

Warning: Changes or modifications to this unit not expressly approved by the party responsible for compliance could void the user's authority to operate the equipment.

NOTE: This equipment has been tested and found to comply with the limits for a Class B digital device, pursuant to Part 15 of the FCC Rules. These limits are designed to provide reasonable protection against harmful interference in a residential installation. This equipment generates, uses and can radiate radio frequency energy and, if not installed and used in accordance with the instructions, may cause harmful interference to radio communications.

However, there is no guarantee that interference will not occur in a particular installation. If this equipment does cause harmful interference to radio or television reception, which can be determined by turning the equipment off and on, the user is encouraged to try to correct the interference by one or more of the following measures:

- Reorient or relocate the receiving antenna.
- Increase the separation between the equipment and receiver.
- Connect the equipment into an outlet on a circuit different from that to which the receiver is connected.
- Consult the dealer or an experienced radio/TV technician for help.

This device complies with Part 15 of the FCC Rules. Operation is subject to the following two conditions:
 (1) this device may not cause harmful interference, and
 (2) this device must accept any interference received, including interference that may cause undesired operation.

Shielded cables must be used with this unit to ensure compliance with the Class B FCC limits.

K07-SMS-113-002

002-01