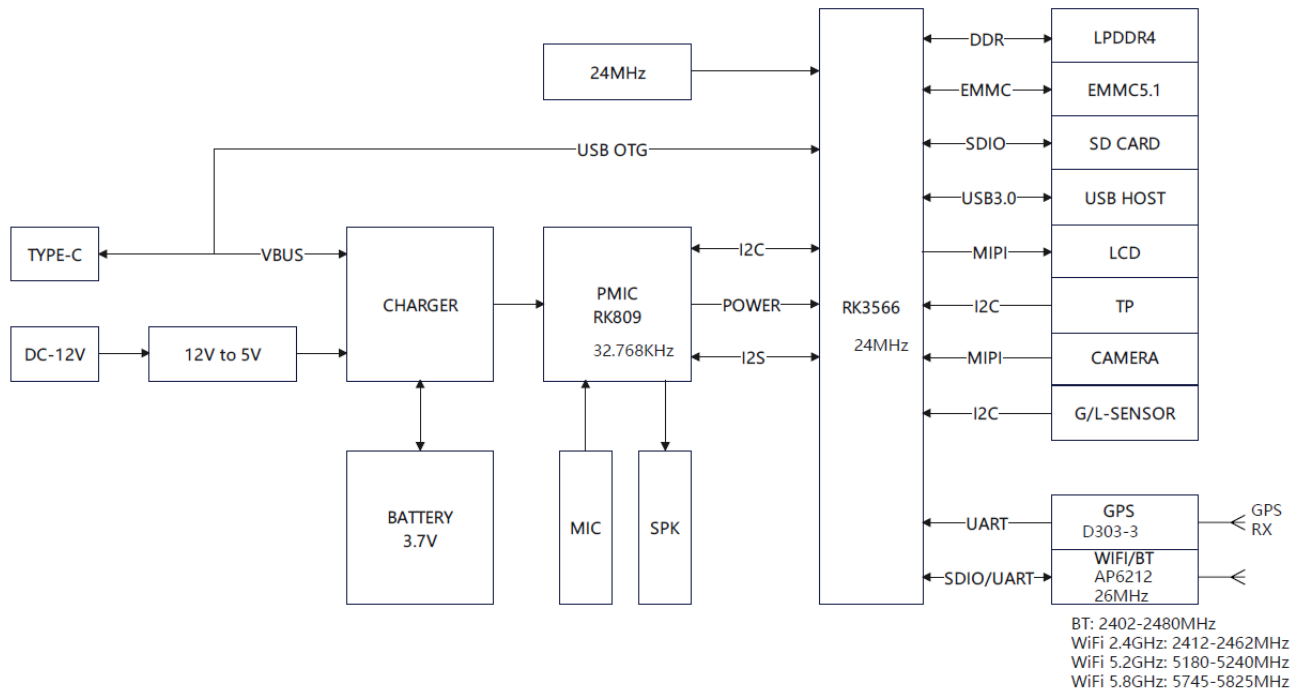


E81 BLOCK DIAGRAM:



Operational Description:

E81 is the new generation tablet diagnostic scanner of Tablet PC for Diagnosis of car system; configured with Android 11 OS; Wireless Wi-Fi Network, and vehicle diagnostic functions (via Bluetooth communication or usb diagnostic device); Extended functions: USB HOST projection, Color touch screen, Audio output / input, Easy operation.

It is comprised of many block . Listed below:

- U1000 is the system's CPU-RK3566 (RK3566 is a 64-bit RISC cost-effective, low power, performance optimized and Coretex-A55 Quad Core based micro-processor), RK3566 adopts 16-bit/32-bit internal bus architecture and many powerful hardware accelerators for different tasks. These tasks, for example are, motion video processing, Image Signal Processing, display control and scaling. Integrated Multi Format Codec (MFC) supports encoding and decoding of MPEG-2/4, H.265, H.264 and decoding of VC-1, MPEG-1/2/4, VP8. This hardware Encoder/Decoder supports real-time video conferencing and HDMI out. And operating frequency up to 216 MHz at 0.9 V, 1GHz at 1.0 V, and 1.8 GHz at 1.3 V.
- U1000 is the DRAM.DRAM ports support lpddr4 interface for high bandwidth, and the internal memory is 4GB.
- U4000 is the EMMC FLASH for internal storage and the Capacities is 64GB, it is used to store the operating system and user data or update the software.
- J4200 is Built-in microSD™ card slot that lets users add up to 128GB additional storage, or transfer files easily.
- U6100 is the 802.11b/g/n and BT4.0 Wireless Sip module AW-256SM which is a small size module based on LGA package that provides full function of 802.11b/g/n/ac and BT4.2 in a tiny module via 44 pins, it is used to communicate with WIFI or BT device,and update the Software.
- CON3 is Capacitive touch screen moduel connector, the moduel powered by 2.8V support 5-point multi-touch and communicate with I2C bus.
- J5300 is screen moduel connector with MIPI display The TFT-LCD has 8 inches

diagonally measured active display area with resolution 1200 horizontal by 800 vertical pixel array.

- J2503 is TYPE-C-usb Port, it is used to communicate to computer for Data storage or update the Software.
- J4600 is camera module interface which connected the rear camera 8.0 Megapixel, the camera is the interface of MIPI that communicated to cpu.
- U2026 (STK8BA53) is a triaxial, low-g acceleration sensor with digital output, it is used for display profile switching or gaming
- J2501 is a USB 3.0 host port upstream connectivity and it convert one USB3.0 downstream port for commutation. This port can connect with usb 3.0 device or diagnostic device of car to exchange data.
- U2025 (SCT2650) is a Wide Input Range Non-Synchronous Buck Controller, and it convert 12V powered by dc adapter to 5v powered for PMIC IC.
- Bt1 is a battery connector inserted by battery. The battery is lithium-ion Polymer rechargeable battery, which the voltage is (3.7-4.2v) and the nominal capacity is 10000 mAh. It supply the power for the whole system.
- U2100 (RK809) is an advanced Power Management IC (PMIC) for cpu. It is comprised of high efficient Buck converters including Qual-Phase Buck converters, various LDOs, and an RTC integrated into a 68pin QFN, 7.0mmx7.0mm package. The Buck Converters in RK809 provide stable power to the cpu core/cache, internal logic, memory, camera processor, and sub-regulations. The various LDOs supply appropriate power to each I/O, functional block and other Peripheral device. RK809 also support hi-fi audio hub codec, the L/R Stereo, and the line input for microphone