

TCL

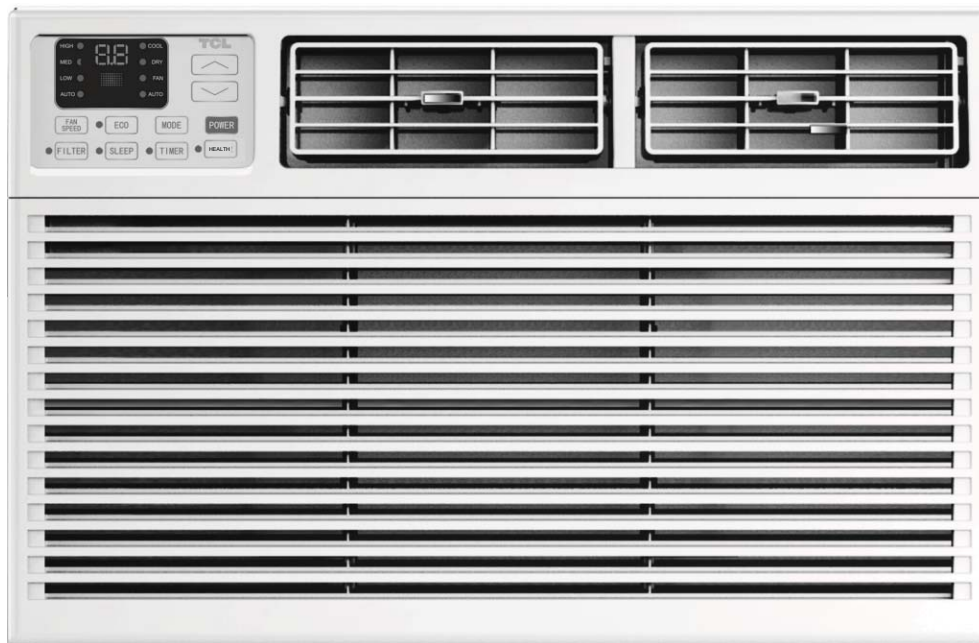
Models

TWAC-15CRA1/K8U(ES)

TWAC-24CRA2/J3U(ES)

Windows Type Air-condition

Operating Instructions



INTRODUCTION

| | |
|--|----|
| IMPORTANT SAFETY INSTRUCTION | 1 |
| ELECTRICAL REQUIREMENTS | 2 |
| PACKING LIST | 3 |
| INSTALLATION&ASSEMBLY INSTRUCTIONS | 4 |
| USING YOUR AIR CONDITIONER | 13 |
| OPERATING YOUR AIR CONDITIONER | 15 |
| CARE AND CLEANING | 16 |
| TROUBLESHOOTING | 17 |

IMPORTANT SAFETY INSTRUCTIONS

Before installing and using your air conditioner, please read this owner's manual carefully. Store this manual in a safe place for future reference. Your safety and the safety of others is very important to us. Please pay attention to all safety messages outlined in this owner's manual.

WARNING: To reduce the risk of fire, electrical shock or injury when using your air conditioner, follow the following basic precautions:

- Plug into a grounded 3 prong outlet.
- Do not remove the ground prong.
- Do not use a plug adapter.
- Do not use an extension cord.
- Unplug the air conditioner before servicing
- Use two or more people to move and install the air conditioner



This is a safety alert symbol. This symbol alerts you to potential hazards that can harm you or others or even cause death. All safety messages will directly follow the safety alert symbol and/or the words "DANGER" or "WARNING".



Failure to immediately follow these instructions may cause serious injury or even death.



All Safety messages alert you of potential hazards, how to reduce the chance of injury, and what can happen if instructions are not followed correctly.

ELECTRICAL REQUIREMENTS

⚠ WARNING



Electrical Shock Hazard

Plug into a grounded 3 prong outlet.
Do not remove the ground prong.
Do not use an adapter
Do not use an extension cord.
Failure to follow these instructions can result in death, fire, or electrical shock

The electrical ratings for your air conditioner are listed on the model and serial number label located on the front left side of the unit (when facing the front).

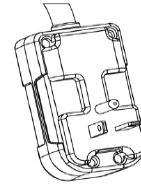
Specific electrical requirements are listed in the chart below. Follow the requirements below for the type of plug on the power supply cord.

Power Supply Cord

15K



18K/22K/24K



Recommended Ground Method

For your personal safety, this air conditioner must be grounded. This air conditioner is equipped with a 3 prong power supply cord with a grounded plug. To minimize the possibility of electrical shock, the cord must be plugged into a 3 prong outlet and grounded in accordance with all local codes and ordinances. If a 3 prong outlet is not available, it is the customer's responsibility to have a properly grounded 3 prong outlet installed by a qualified electrician.

It is the customer's responsibility:

- To contact a qualified electrician
- To assure that the electrical installation is adequate and in conformance with the National Electrical Code, ANSI/NFPA 70 - latest edition, and all local codes and ordinances.

Copies of the standards listed may be obtained from:

National Fire Protection Association
One Batterymarch Park
Quincy, Massachusetts 02269

LCDI Power Cord and Plug

This air conditioner is equipped with an LCDI (Leakage Current Detection and Interruption) power cord that is required by UL. This power supply cord contains state-of-the-art electronics that sense leakage current. If the cord is damaged and leakage occurs, power will be disconnected from the unit.

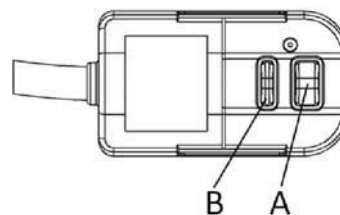
The test and reset buttons on the LCDI Plug are used to check if the plug is functioning properly. To test the plug:

1. Plug power cord into a grounded 3 prong outlet
2. Press RESET (on some units a green light will turn on).
3. Press the TEST Button, the circuit should trip and cut all power to the air conditioner (on some units a green light may turn off).
4. Press the RESET button for use. You will hear a click and the A/C is not ready for use.

NOTES:

- The RESET button must be engaged for proper use.
- The power supply cord must be replaced if it fails to trip when the TEST button is pressed and the unit fails to reset.
- Do not use the power supply cord as an ON/OFF switch. The power supply cord is designed as a protection device.
- A damaged power supply cord must be replaced with a new power supply cord.
- The power supply cord contains new user serviceable parts. Opening the tamper-resistant case voids all warranty and performance claims.

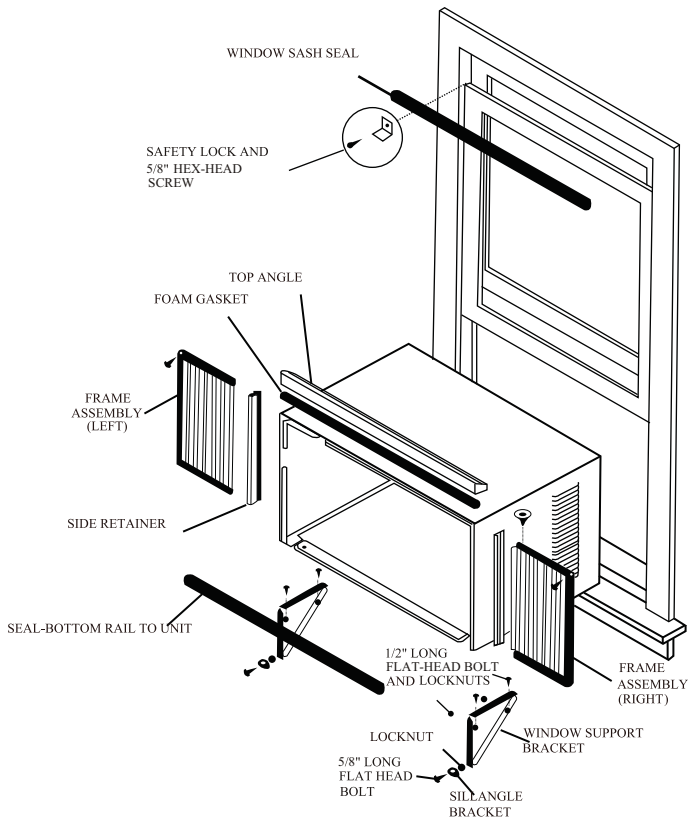
NOTE: Your units power cord and plug may differ from the one shown.

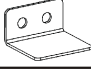




A. Reset button

B. Test button

PARTS LIST



| Hardware (in plastic bag) | Qty. |
|--|------|
|  Safety Lock | 1 |
| 5/16" Long Hex-head Screw | 10 |
| 5/8" Long Hex-head Screw | 4 |
| 1/2" Long Hex-head Screw | 2 |
| 5/8" Long Flat Head Bolt and Locknut | 2ea |
|  Sill Angel Bracket | 2 |
| 1/2" Long Flat Head Bolt and Locknut | 4ea |
|  Gasket | 2 |

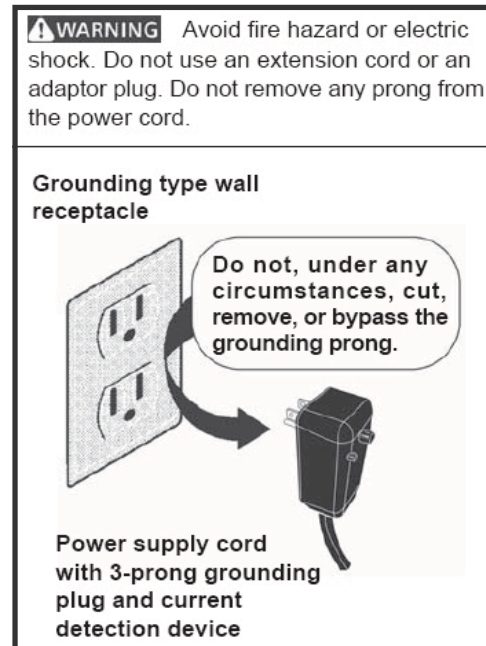
TOOLS NEEDED
 Large Flathead Screwdriver
 Tape Measurer
 Adjustable Wrench or Pliers
 Pencil
 Level
 Socket Wrenches
 Phillips Head Screwdriver

Non-Hardware Packing List

- Window Air Conditioner
- AAA Batteries (2)
- Top Mounting Rail
- Foam Top Mounting Rail Seal Strip
- Accordion Panels (2)
- Side Retainer (2)
- Window Sash Seal
- Foam Seal for Bottom Rail
- Owner's Manual

DISCLAIMER

ALL INFORMATION AND THE TECHNICAL SPECIFICATIONS PRESENTED IN THIS USER'S MANUAL ARE THE PRESENTATION OF THE MANUFACTURER.



INSTALLATION & ASSEMBLY INSTRUCTIONS

Window Preparation

Please read all instructions prior to installing your air conditioner. Two people are recommended to install this product. If a new electrical outlet is required, have the outlet installed by a qualified electrician before installing the unit.

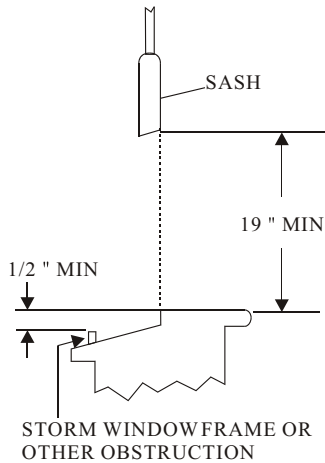
Before installing the unit, check the dimensions of your window to make sure the air conditioner will fit. This unit is made to fit inside a standard double-hung window. Make sure the window is in good shape and able to firmly hold the needed screws. If not, make repairs prior to installing the unit.

| Model | 15K/18K | 22K/24K |
|---|---------|---------|
| Unit Height(inches) | 17.91 | 18.625 |
| Unit Width(inches) | 23.625 | 26.50 |
| Min. Window Opening (See FIG 1)(inches) | 19.00 | 19.50 |
| Min. Window Width (inches) | 28.00 | 30.00 |
| Max Window Width(inches) | 41.00 | 41.00 |

Storm Window Requirements

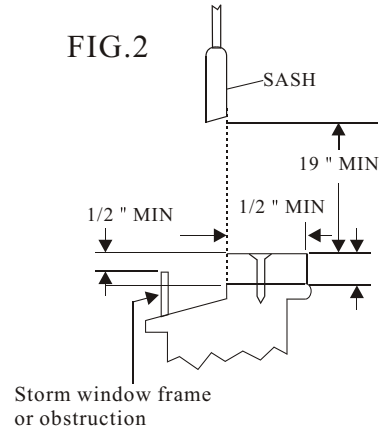
A storm window frame will not allow the air conditioner to tilt properly which in turn will keep it from draining properly. To adjust for this, attach a board or piece of wood to the sill. The board or wood piece should have a depth of at least 1 1/2". Make sure the board or piece of wood is approximately 1/2" higher than the storm window frame. This will allow the air conditioner to tilt enough for proper drainage. (15K/18K See FIG.1/FIG.2 ; 22K/24K See FIG.3/FIG.4).

FIG.1



Storm window frame
or obstruction

FIG.2



Board or wood piece must
be approximately 1/2" higher
than the storm window frame
for proper drainage

FIG.3

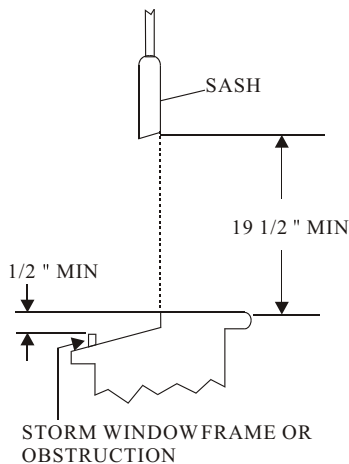
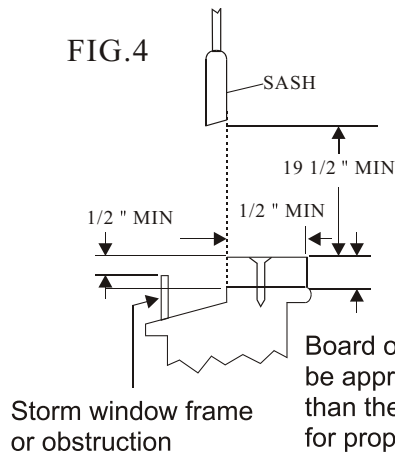


FIG.4



Board or wood piece must
be approximately 1/2" higher
than the storm window frame
for proper drainage

Prior to Installing the Air Conditioner

1. Check for anything that could block airflow. Check the area outside of the window for things such as shrubs, trees, or awnings. Check the inside area to make sure curtains, drapes, or blinds will not prevent proper airflow.
2. Check the available electrical outlet. The power supply must be the same as shown on the unit serial nameplate (located on the left side of the unit, near the front faceplate). Be sure the outlet is close enough for the power cord to reach.
3. Carefully unpack the air conditioner. Remove all packing material and make sure the floor is protected when removing. Due to the large size of this air conditioner, two people should move the unit together.

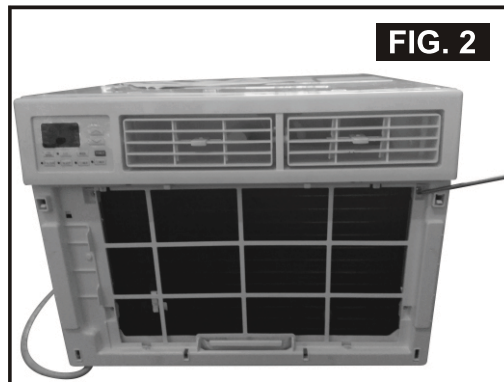
CAUTION

When handling the unit, be careful to avoid cuts from the sharp metal edges and aluminum fins on the front and rear coils.

INSTALLATION & ASSEMBLY INSTRUCTIONS - WINDOW MOUNTING

REMOVE CHASSIS

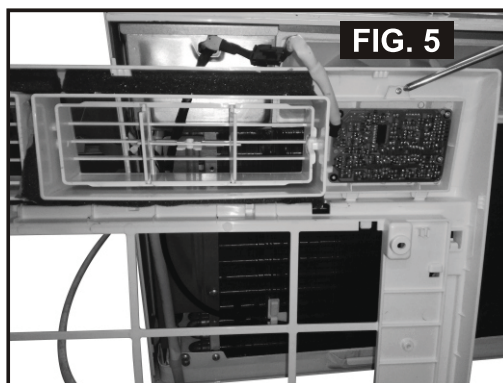
1. Pull down the front panel and remove the filter (FIG. 1 below)
2. Lift the front panel upwards to remove and place to the side.



3. Locate the four faceplate screws and remove. These screws will need to be re-installed prior to mounting the air conditioner (FIG. 2 above)
4. After removing the screws, gently pull away the faceplate from the air conditioner cabinet (FIG. 3 & 4).



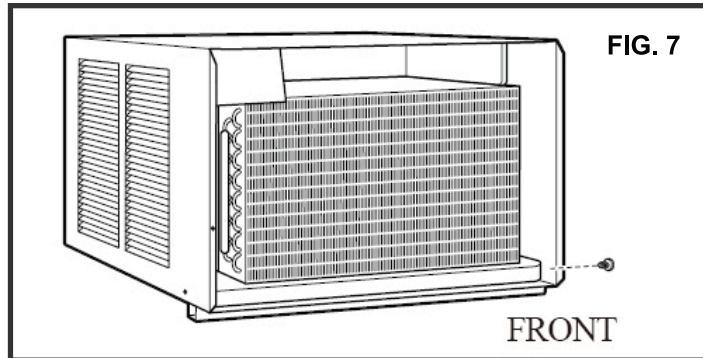
5. Remove the one control panel screws from the front panel (FIG 5).



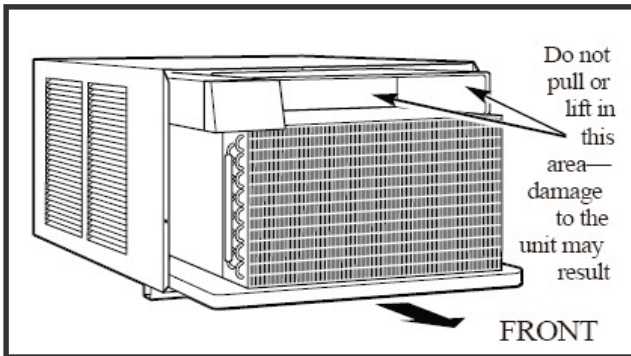
INSTALLATION & ASSEMBLY INSTRUCTIONS - WINDOW MOUNTING

REMOVE CHASSIS

6. Remove the screws from the right side of the cabinet (FIG 7).



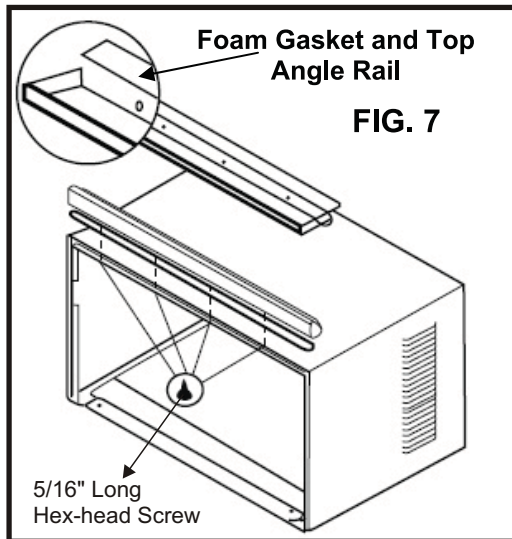
7. Hold the cabinet while pulling on the base handle to carefully remove the unit. Do not pull or lift near the top of the unit (FIG 8).



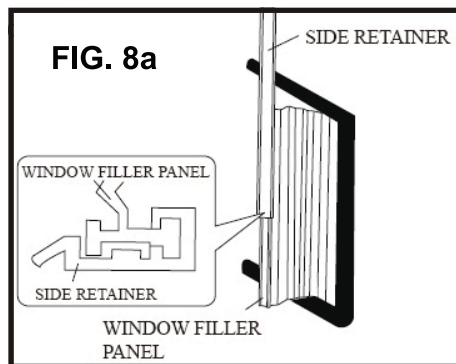
ASSEMBLY & INSTALLATION (CONT.)

Top Angle Rail and Side Bracket Installation

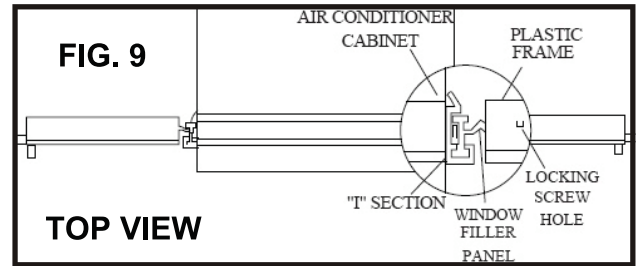
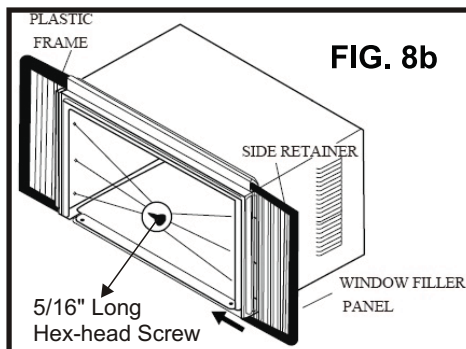
1. Place the air conditioner on a hard flat surface.
2. Locate the foam gasket and top angle rail
3. Attach the foam gasket to the top angle rail
4. Install top angle side to cabinet as shown in FIG 7



5. Slide the "I" section of the window filler panel into the side bracket of the cabinet (FIG. 8a). Do this for both sides.

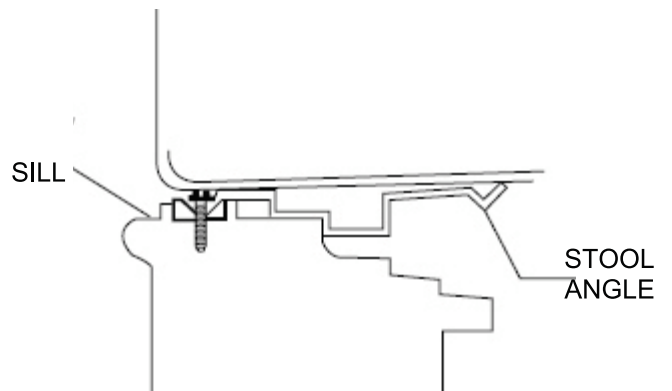


6. Insert top and bottom legs of window filler panel frame into channel in the top angle and bottom rail. Do both sides. Install side retainer to cabinet as shown. FIG 8B-9.

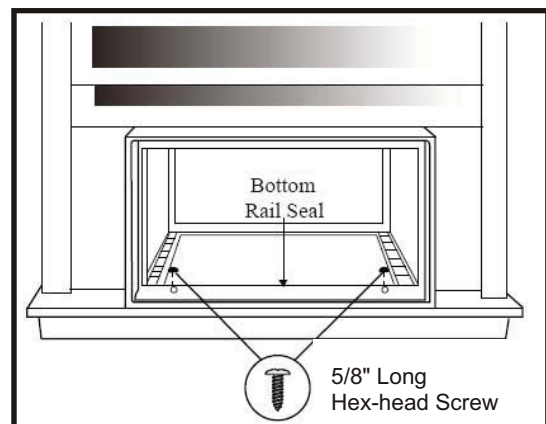


Placing the Cabinet Inside the Window

1. Open the window and place the cabinet in the middle of the window sill.
2. Make sure the bottom rail is seated over the window sill as shown below. Bring the window down temporarily behind the top angle rail to hold the cabinet in place. **(Suggest to keep a downward oblique angle within 3 degree, to let accumulated rain water to drain out, from back side of the unit bottom.)**

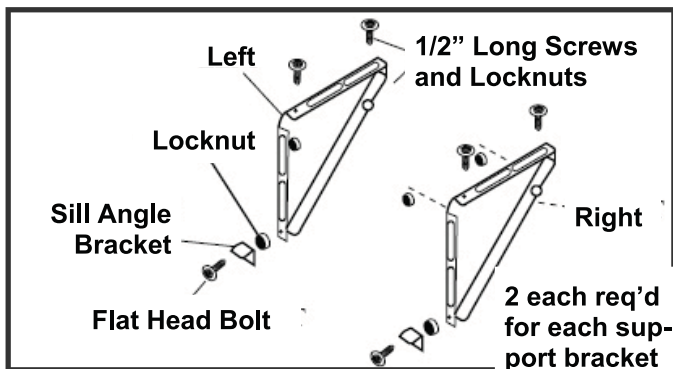
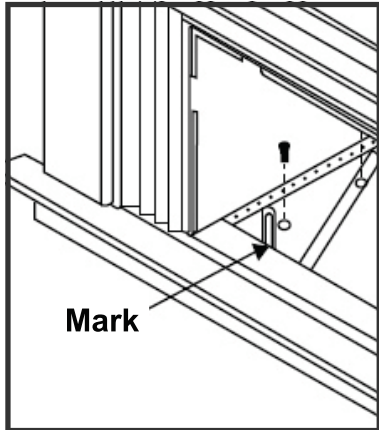


3. Fasten cabinet to window sill using two 7/8 inch Round-Head screws. Pre-drill holes if needed. Add the bottom rail seal over the screws.

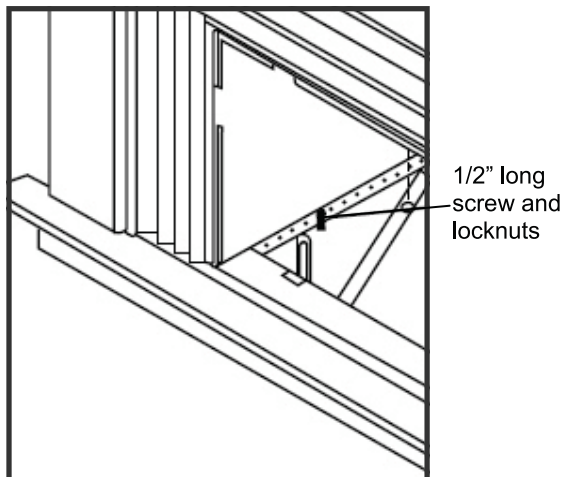


Install Support Brackets

1. Hold each support bracket flush against the outside of the window sill. Tighten each bracket to the bottom of the cabinet as shown below. Mark the brackets at top lever of the window sill and then remove.

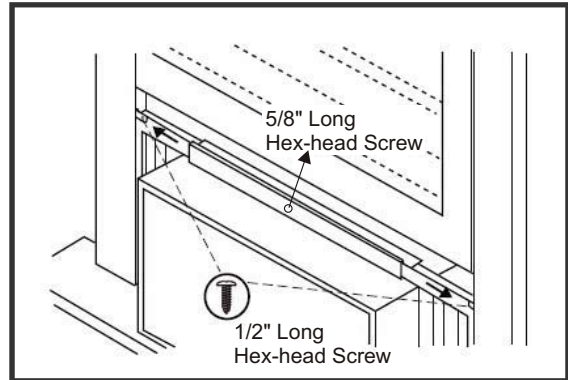


2. Assemble the sill angle brackets to the support brackets at the marked position as shown above. Hand tighten, but not all the way for any changes that may need to be made later during installation.
3. Install the support brackets (with sill angle brackets attached) to the bottom of the cabinet as shown below.
4. Tighten all 6 bolts securely.



Extend the Accordion Panels

1. Carefully raise the window to expose the accordion panel and panel frame. Loosen the locking screws so

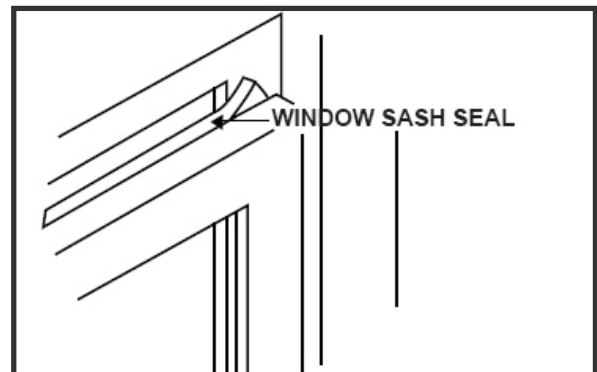


the accordion panels slide easily.

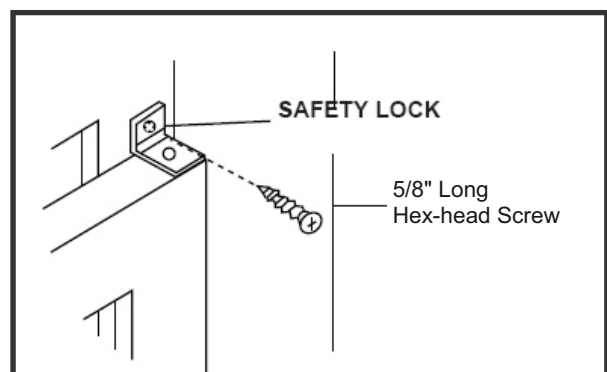
2. Extend each panel to completely fill the width of the window. Tighten the locking screws when the panels are fully extended.

Install the Window Lock and Sash Seal

1. Trim the sash seal to fit the width of the window. Insert the sash seal into space between the upper and lower sashes.



2. Attach the right angle safety lock as shown below.



ASSEMBLY & INSTALLATION (CONT.)

Installing the Chassis into the Cabinet

1. Team lift (two people) the air conditioner chassis and carefully slide it into the cabinet. Let the front of the air conditioner hang out approximately 6".
2. **CAUTION:** DO NOT PUSH ON THE CONTROLS OR FINNED COILS.
3. Be sure the chassis is firmly seated in the back of the cabinet.
4. Insert all screws removed during window installation and reattach the front face plate, front panel, and the air filter. Use the REMOVE CHASSIS instructions and figures 1-6 for reference.

THRU-THE-WALL INSTALLATION

NOTE: Consult local building codes prior to installation and/or a qualified carpenter.

Select the Wall Location

This air conditioner has a slide-out chassis, so that it can be installed through an outside wall as specified below:

MAX WALL THICKNESS: 8"

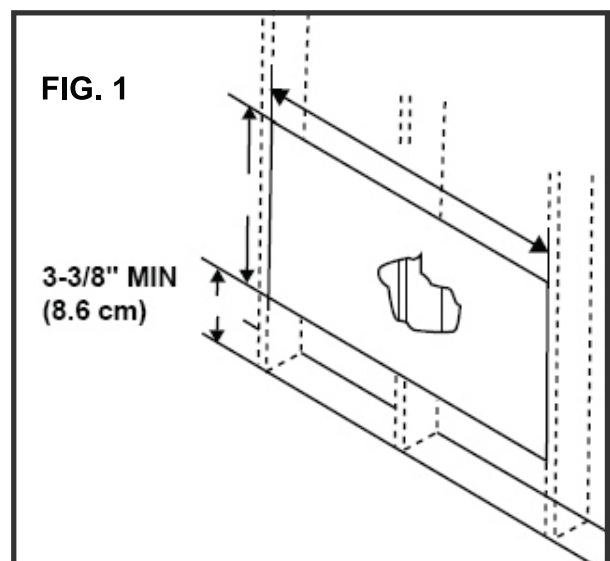
IMPORTANT: The side louvers must never be blocked.

NOTE: All parts needed for Thru-The-Wall Installation are provided, except a wood frame, shims, and 10 wood screws (10-1" long minimum). Select a wall surface that:

1. Does not support major structural loads such as the frame construction at ends of windows, and under truss-bearing points, etc.
2. Does not have plumbing or wiring inside.
3. Is near existing electrical outlets, or where another outlet can or will be installed.
4. Does not have objects blocking the air vents which limits cooling.
5. Allows unblocked airflow from the rear and sides of the air conditioner.

Prepare the Wall

1. Prepare the wall in frame construction (including brick and stucco veneer). Working from inside the room, find the wall stud that is nearest the center of the installation area.
2. Cut a hole on each side of the center stud.
3. Measure between the inside edges of every other stud as shown below.



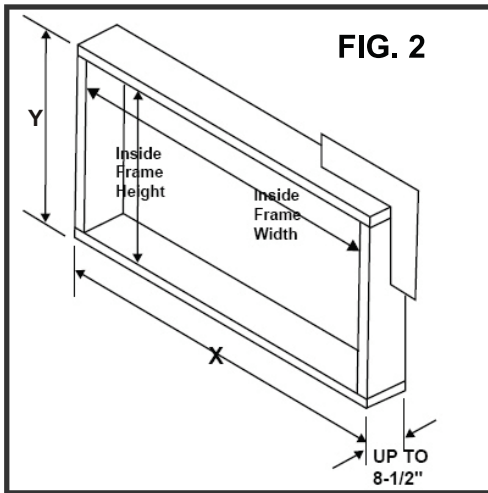
ASSEMBLY & INSTALLATION - THRU-THE-WALL (CONT.)

Carefully measure and cut an opening with the following dimensions depending on your model (FIG. 1 & 2).

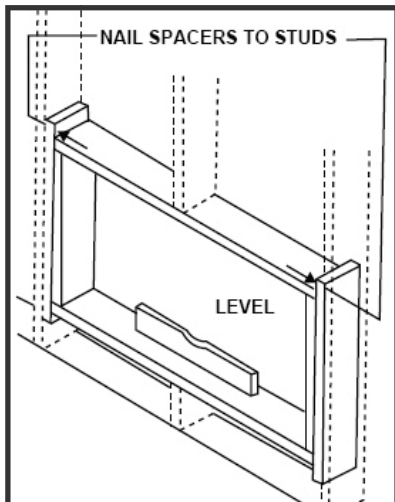
WIDTH "X" = inside model plus twice the thickness of the framing material used.

HEIGHT "Y" = inside model height plus twice the thickness of framing material used.

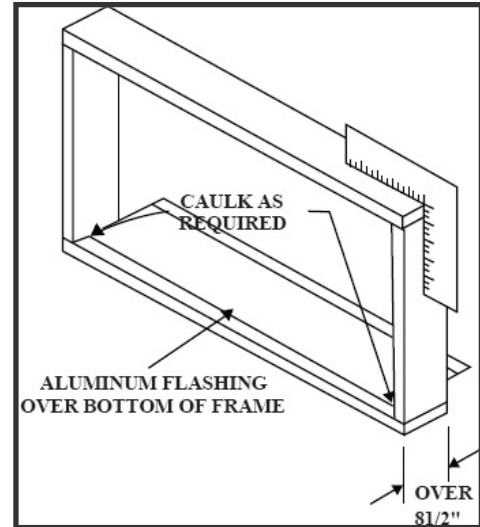
| Model | 15K/18K | 22K/24K |
|---------------------|--------------------|--------------------|
| Inside Frame Height | 18 1/4 " (46.4 cm) | 18 7/8 " (47.9 cm) |
| Inside Frame Width | 23 7/8 " (60.6 cm) | 26 3/4 " (67.9 cm) |



- Build a wooden frame with the INSIDE dimensions of your model listed above (Measure twice). The frame depth should be the same as the wall thickness. Fill in extra space from the opening to the studs with wood spacers as shown below.
- Nail the spacers to the studs. They should be flush with the dry wall.

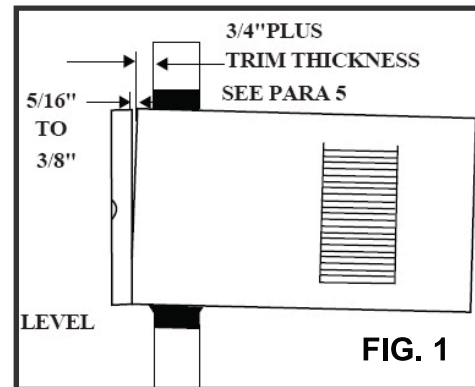


NOTE: If wall thickness is 8-1/2" or more, add aluminum flashing over the bottom of the frame opening to assure water is unable to enter the area between the inner and outer wall.

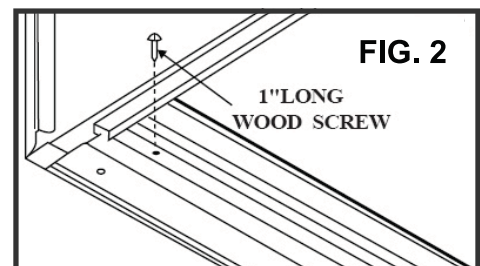


Prepare and Install the Cabinet

- Slide the chassis from the cabinet. Refer back to the REMOVE CHASSIS instructions and FIG. 1-6 in the WINDOW MOUNTING SECTION.
- Place the cabinet into the opening with the bottom rail resting firmly on the bottom board of the wood frame.
- Position the cabinet so it is tilted properly for water removal as seen below.

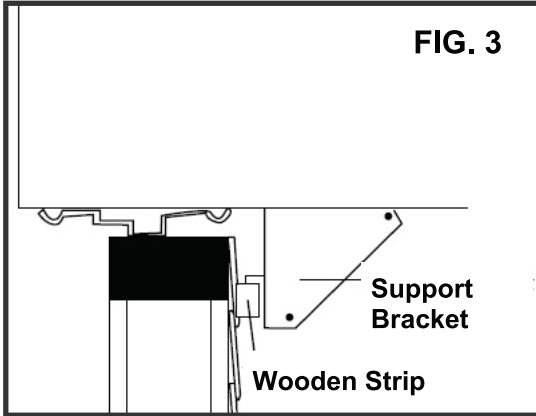


- Secure the bottom rail to the wood frame with two large 1" (2.5 cm) long wood screws as shown below.

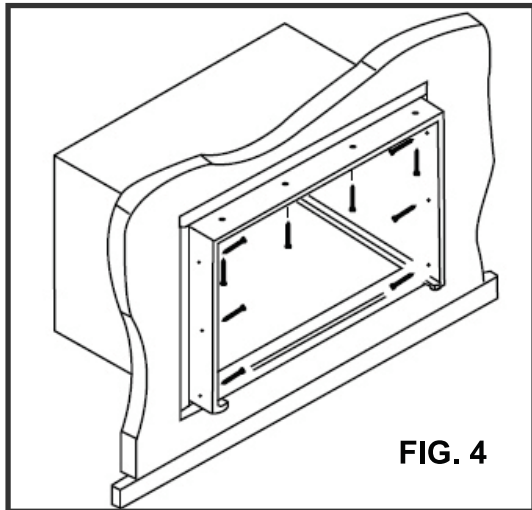


ASSEMBLY & INSTALLATION - THRU-THE-WALL (CONT.)

Refer to the SUPPORT BRACKET ASSEMBLY in the WINDOW MOUNTING section to assemble the support brackets. A wooden strip nailed to the outside wall should be used in conjunction with the angled sill support brackets.



5. Screw or nail the cabinet to the wooden frame using shims if the frame is oversized, to eliminate possible noise. Remember to maintain proper slope for water elimination.



6. Install the chassis into the cabinet by following the steps described in the WINDOW MOUNTING section.

OPTIONAL: Caulking and installation of the trim on the interior wall may be done if desired. Caulk the openings around the top and sides of the cabinet and all sides of the wood sleeve to the opening.

NOTE: See the WINDOW MOUNTING instructions for the bottom rail seal location.

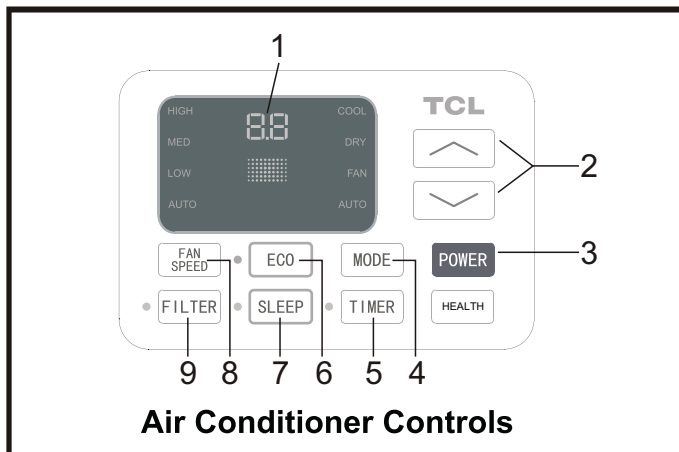
MASONRY CONSTRUCTION

1. Cut or build a wall opening in the masonry wall similar to the frame construction (refer to the THRU-THE-WALL installation for a wall thickness greater than 8 1/2").
2. Secure the cabinet in place using masonry nails, or masonry anchor screws. Or, build a frame using the instructions found in the THRU-THE-WALL installation section.
3. Make sure the masonry above the cabinet is supported well. Use the existing holes in the cabinet or additional drilled holes to fasten the cabinet at various positions. Make sure that the side louvers are clear of any obstructions.
4. Install the exterior cabinet support brackets according to the SUPPORT BRACKET INSTALLATION instructions in the THRU-THE-WALL installation section. Caulk or flash with aluminum if needed. This will provide a tight seal around the top and sides of the cabinet.
5. For a more aesthetically pleasing installation, apply wood trim molding around the sides of the cabinet without obstructing the side louvers.

USING YOUR AIR CONDITIONER

Electronic Control Panel & Remote Control

NOTE: This display always shows the room temperature in Fan Mode except when setting the Set temperature or the Timer.



Air Conditioner Controls

Normal Operating Sounds

- You may hear a pinging noise caused by water hitting the condenser, on rainy days, or when the humidity is high. This design feature helps remove moisture and improve efficiency.
- You may hear the thermostat click when the compressor cycles on and off.
- Water will collect in the base pan during rain or days of high humidity. The water may overflow and drip from the outside part of the unit.
- The fan may run even when the compressor is not on.

1. **Digital Display:** Without timer setting, the operation mode is Cooling, Dry, Fan and Auto, and the set temperature will be displayed. Time will be displayed under timer setting.
2. **▲ and ▼ Button:** Use these buttons on the control panel and remote to increase or decrease the Set Temperature or Timer. Temperature range: 61°F~88°F or 16°C~31°C.
3. **Power Button:** Turn the air conditioner on and off.
4. **Mode Button:** Press the mode button to cycle through the various modes: Cool, Dry, Fan and Auto.

Cool Mode: The cooling function allows the air conditioner to cool the room and at the same time reduces Air humidity. Press the MODE button to activate the cooling function. To optimize the function of the air conditioner, adjust the temperature and the speed by pressing the button indicated.

Dry Mode: This function reduces the humidity of the air to make the room more comfortable. Press MODE button to set the DRY mode. An automatic function of alternating cooling cycles and air fan is activated.

Fan Mode: The conditioner works in only ventilation. Press MODE button to set the FAN mode. With pressing FAN SPEED button the speed changes in the following sequence: Hi, Med and Lo in FAN mode. The remote control also stores the speed that was set in the previous mode of operation. In AUTO mode the unit automatically chooses the fan speed and the mode of operation (COOL, DRY or FAN).

5. **Timer Button:** Use these buttons on the control panel and remote to set the Timer.

Timer Off: The timed stop is programmed by pressing TIMER button. Set the rest time by pressing the button “▲” or “▼” until the rest time displayed is to your demand then press TIMER button again.

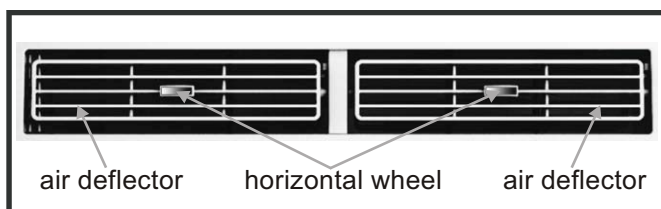
Timer On: When the unit is off, press TIMER button at the first time, set the temperature with pressing the button “▲” or “▼”. Press TIMER button at the second time, set the rest time with pressing the button “▲” or “▼”. Press TIMER button at the third time, confirm the setting, then the rest time to next automatical switching-on could be read on the display of the machine.

Note: It can be set to automatically turn off or on in 0.5-24 hours. Each press of the “▲” “▼” buttons will increase or decrease the timer. The Timer can be set in 0.5 hours increment below 10 hours and 1 hour increment for 10 hours or above. The SET light will turn on while setting. To cancel the setted function, press the TIMER button again.

USING YOUR AIR CONDITIONER

Electronic Control Panel & Remote Control

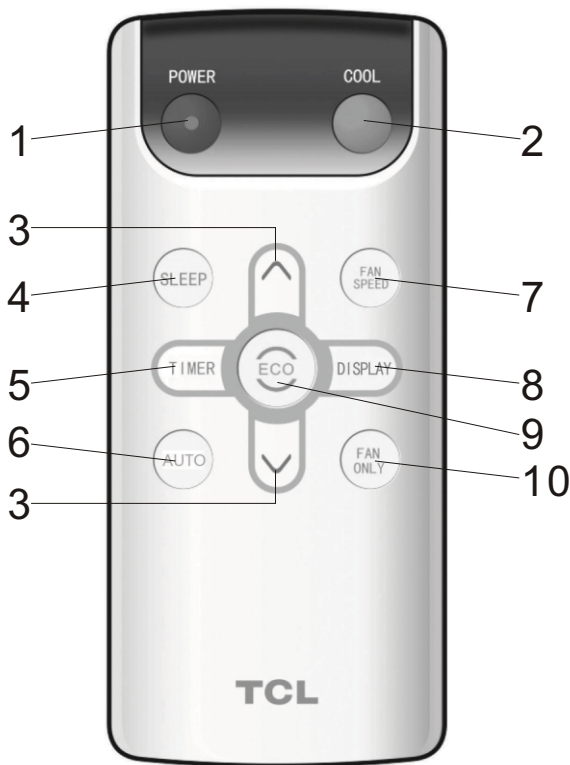
6. **Eco Button:** When the unit is in ECO mode, the light will turn on. In ECO mode, the unit will turn-off once the room is cooled to the user set temperature. The fan will also be off at this point. The unit will turn back on when the room temperature rises above the user set temperature.
7. **Sleep Button:** Press the SLEEP button, the Sleep Light will be on after 10s, and all the left lights will be off. In SLEEP mode, the air-conditioner will automatically adjust the temperature and fan speed to make the room more comfortable during the night. The set temperature will automatically raise by 1 °C every 30-60 minutes and at most change six times until the set temperature is 28 °C. And every running time depends on the set temperature.
8. **Fan Speed Button:** Press the FAN SPEED button to choose the fan speed options. You can choose Hi, Med, Lo or auto speed in COOL mode and choose Hi, Med, Lo in FAN mode.
9. **Filter Button:** When the Filter Check light is off, it is useless to press the Filter Check button. When the Filter Check light is on, it can turn off the light by pressing the Filter Check button. After the compressor works for 500 total hours, the Filter Check light will turn on to remind the user to clean the filter.
10. **Directional Louvers:** To direct the airflow, horizontal wheel to control the horizontal direction, air deflector to control the vertical direction.



11. WIFI remote function please read the APP user manual.

OPERATING YOUR AIR CONDITIONER

REMOTE CONTROL



1. **Power:** Turn the air conditioner on and off.
2. **Cool:** Press the COOL button to COOL mode.
3. **^ and v:** Use these buttons on the control panel and remote to increase or decrease the Set Temperature or Timer. Temperature range: 61°F~88°F or 16°C~31°C.
4. **Sleep:** Press the SLEEP button, the Sleep Light will be on after 10s, and all the left lights will be off. In SLEEP mode, the air-conditioner will automatically adjust the temperature and fan speed to make the room more comfortable during the night. The set temperature will automatically raise by 1 °C every 30-60 minutes and at most change six times until the set temperature is 28 °C. And every running time depends on the set temperature.

5. **Timer:** Use these buttons on the control panel and remote to set the Timer.
Timer Off: The timed stop is programmed by pressing TIMER button. Set the rest time by pressing the button “^” or “v” until the rest time displayed is to your demand then press TIMER button again.
Timer On: When the unit is off, press TIMER button at the first time, set the temperature with pressing the button “^” or “v”. Press TIMER button at the second time, set the rest time with pressing the button “^” or “v”. Press TIMER button at the third time, confirm the setting, then the rest time to next automatical switching-on could be read on the display of the machine.
Note: It can be set to automatically turn off or on in 0.5-24 hours. Each press of the “^” “v” buttons will increase or decrease the timer. The Timer can be set in 0.5 hours increment below 10 hours and 1 hour increment for 10 hours or above. The SET light will turn on while setting. To cancel the setted function, press the TIMER button again.
6. **Auto:** Press AUTO button enter into AUTO mode directly. In this mode the fan speed and the temperature are set automatically according to the room temperature (tested by the temperature sensor which is incorporated in the indoor unit.).
7. **Fan Speed:** Press the FAN SPEED button to choose the fan speed options. You can choose Hi, Med, Lo or auto speed in COOL mode and choose Hi, Med, Lo in FAN mode.
8. **Display:** To press the DISPLAY button, it can switch off/on all lights or LED display.
9. **Eco:** When the unit is in ECO mode, the light will turn on. In ECO mode, the unit will turn-off once the room is cooled to the user set temperature. The fan will also be off at this point. The unit will turn back on when the room temperature rises above the user set temperature.
10. **Fan Only:** Press the Fan Only button to FAN ONLY mode.

Battery Size: AAA - NOTE: Do not mix old and new batteries or different types of AAA batteries.

CARE AND CLEANING

Clean your air conditioner to keep it looking new and to minimize dust build up.

Air Filter Cleaning

The air filter should be checked at least once every month to see if it needs cleaning. Trapped particles and dust can build up in the filter and may decrease airflow as well as cause the cooling coils to accumulate frost. To clean the air filter:

1. Remove the filter by pulling down on the indents of the filter door on the front of the unit. (See FIG. 13)
2. Wash the filter using liquid dish soap and warm water. Rinse the filter thoroughly. Gently shake the filter to remove excess water.
3. Let the filter dry completely before placing it into the air conditioner.
4. If you do not wish to wash the filter, you may vacuum the filter to remove the dust and other particles.

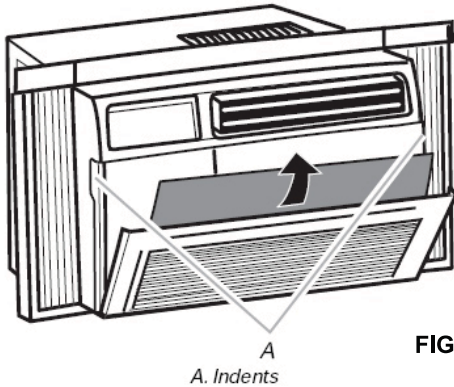


FIG. 13

A. Indents

Wear and Tear

To minimize wear and tear on the air conditioner, always wait at least 3 minutes before changing modes. This will help prevent the compressor from overheating and the circuit breaker from tripping.

Cabinet Cleaning

To clean the air conditioner cabinet:

- Unplug the air conditioner to prevent shock or a fire hazard. The cabinet and front panel of the air conditioner may be dusted with an oil-free cloth or washed with a cloth dampened in a solution of warm water and mild liquid soap. Rinse thoroughly with a damp cloth and wipe dry.
- Never use harsh cleaners, wax or polish on the cabinet front.
- Be sure to wring excess water from the cloth before wiping around the controls. Excess water in or around the controls may cause damage to the air conditioner.

Winter Storage

To store the air conditioner when it is not in use for an extended period of time, remove it carefully from the window according to the installation instructions and cover it with plastic or place it in the original box

TROUBLESHOOTING

| PROBLEM | POSSIBLE CAUSES | SOLUTIONS |
|---|---|---|
| The Air Conditioner will not start | The air conditioner is unplugged | <ul style="list-style-type: none"> Make sure the air conditioner is plug is pushed completely into the outlet |
| | The fuse is blown/circuit breaker is tripped. | <ul style="list-style-type: none"> Check the house fuse/circuit breaker box and replace the fuse or reset the breaker. |
| | Power Failure | <ul style="list-style-type: none"> The unit will automatically re-start when power is restored. There is a protective time delay (approx. 3 minutes) to prevent tripping of the compressor overload. For this reason, the unit may not start normal cooling for 3 minutes after it is turned back on. |
| | The current interrupter device is tripped. | <ul style="list-style-type: none"> Press the RESET button located on the power cord plug. If the RESET button will not stay engaged, discontinue use of the air conditioner and contact a qualified service technician. |
| The Air Conditioner does not cool as it should | Airflow is restricted | <ul style="list-style-type: none"> Make sure there are no curtains, blinds, or furniture blocking the front of the air conditioner |
| | The temperature control may not be set correctly. | <ul style="list-style-type: none"> Lower the set thermostat temperature |
| | The air filter is dirty | <ul style="list-style-type: none"> Clean the filter. See the Cleaning and Care Section of the manual. |
| | The room may be too warm | <ul style="list-style-type: none"> Please allow time for the room to cool down after turning on the air conditioner. |
| | Cold air is escaping | <ul style="list-style-type: none"> Check for open furnace registers and cold air returns |
| | The Cooling Coils are frozen | <ul style="list-style-type: none"> See "Air Conditioner Freezing Up" below. |
| The Air Conditioner is freezing up | Ice blocks the air flow and stops the air conditioner from cooling the room | <ul style="list-style-type: none"> Set the MODE dial to HIGH FAN or HIGH COOL and set the thermostat to a higher temperature |
| The Remote Control is not working | The batteries are inserted incorrectly | <ul style="list-style-type: none"> Check the position of the batteries. |
| | The batteries may be dead | <ul style="list-style-type: none"> Replace the batteries |

TROUBLESHOOTING (CONT.)

| PROBLEM | POSSIBLE CAUSES | SOLUTIONS |
|--|--|--|
| Water is dripping outside | Hot and Humid weather. | <ul style="list-style-type: none">• This is normal |
| Water is dripping inside the room | The air conditioner is not correctly tilted outside. | <ul style="list-style-type: none">• For proper water drainage, make sure the air conditioner is slightly tilted downward from the front of the unit to the rear. |
| Water collects in the base pan | Moisture removed from the air is draining into the base pan. | <ul style="list-style-type: none">• This is normal for a short period in areas with low humidity and normal for a longer period in areas with high humidity. |
| Digital Display reads "E1", "E2" | A sensor has failed | <ul style="list-style-type: none">• Contact customer service |

FCC Caution.

This device complies with part 15 of the FCC Rules. Operation is subject to the following two conditions: (1) This device may not cause harmful interference, and (2) this device must accept any interference received, including interference that may cause undesired operation.

Any Changes or modifications not expressly approved by the party responsible for compliance could void the user's authority to operate the equipment.

Note: This equipment has been tested and found to comply with the limits for a Class B digital device, pursuant to part 15 of the FCC Rules. These limits are designed to provide reasonable protection against harmful interference in a residential installation. This equipment generates uses and can radiate radio frequency energy and, if not installed and used in accordance with the instructions, may cause harmful interference to radio communications. However, there is no guarantee that interference will not occur in a particular installation. If this equipment does cause harmful interference to radio or television reception, which can be determined by turning the equipment off and on, the user is encouraged to try to correct the interference by one or more of the following measures:

- Reorient or relocate the receiving antenna.
- Increase the separation between the equipment and receiver.
- Connect the equipment into an outlet on a circuit different from that to which the receiver is connected.
- Consult the dealer or an experienced radio/TV technician for help.

The distance between user and device should be no less than 20cm.



This instruction has an alternative format and you could obtain from our website: <http://hao.tcl.com>.

APP User Manual

Please scan the QR code to download the latest App software. Or download “Smart Life-smart home” from APP Store or Google Play. The latest App software includes air conditioner, dehumidifier and Portable air conditioner.



For Android



For IOS



Service condition

Thank you for choosing our air conditioner.

This manual apply to the air conditioners which has WiFi function.

Please read the manual carefully before using the product and keep it properly for further review.

Please do not unplug the WIFI module by yourself.

For technical update, there may be deviation of the actual items from the manual. We express our apologies. Please refer to the actual product.

Mention

FCC ID: 2AJCLETWAC-TUWF

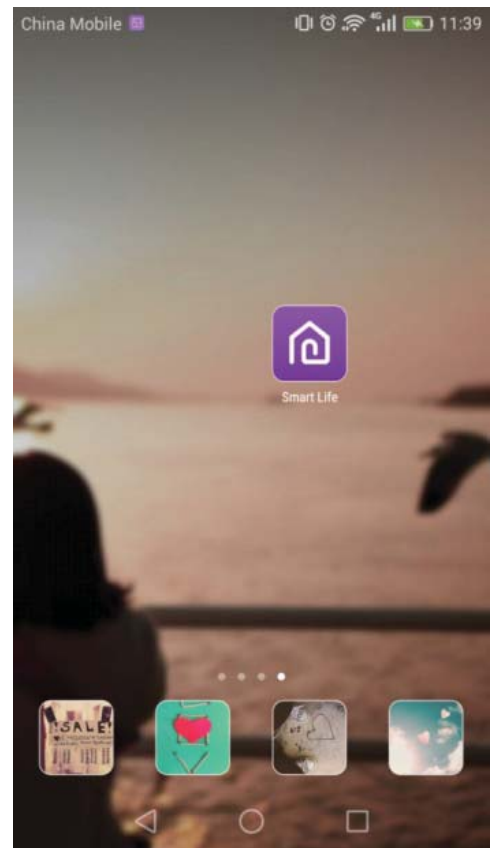
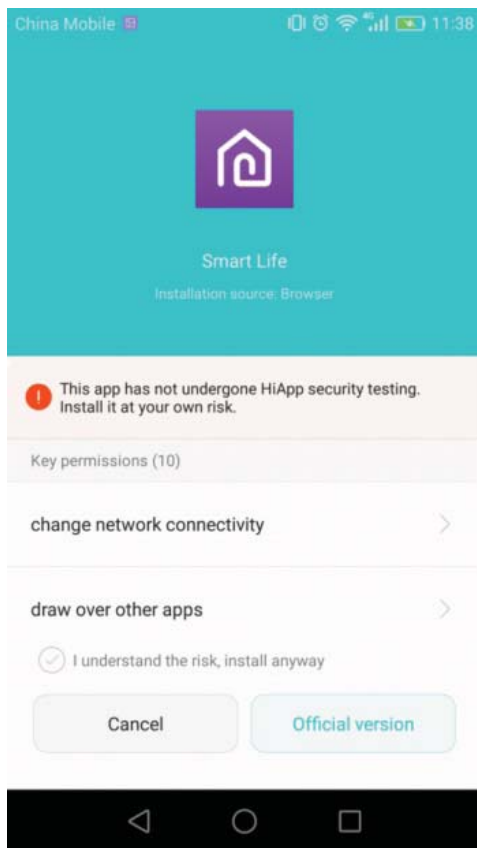
This device complies with Part 15 of the FCC Rules.

Operation is subject to the following two conditions:

- (1) this device may not cause harmful interference, and
- (2) this device must accept any interference received, including interference that may cause undesired operation.

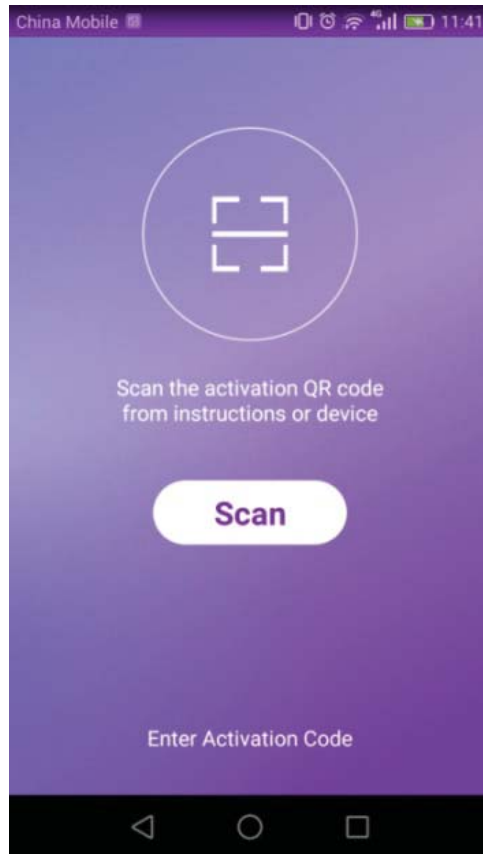
Install the APP

When download the APP software, you can install it in your smart phone. After installation, you can find the “Smart Life” icon on your phone desk.

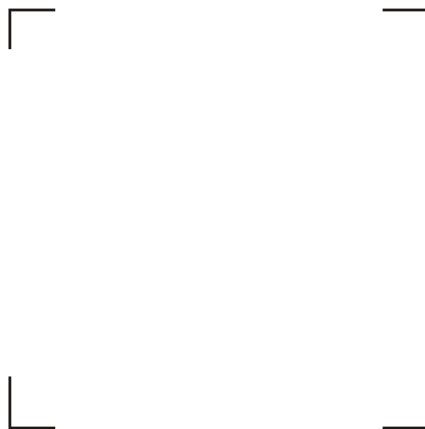


Activate QR code

1. When you first time enter the App, it will display activation interface, you can select scan activation QR code (click “Scan” button and scan the activation QR code in below page) or input “activation code” words (in below page), click “activate” button to active it.



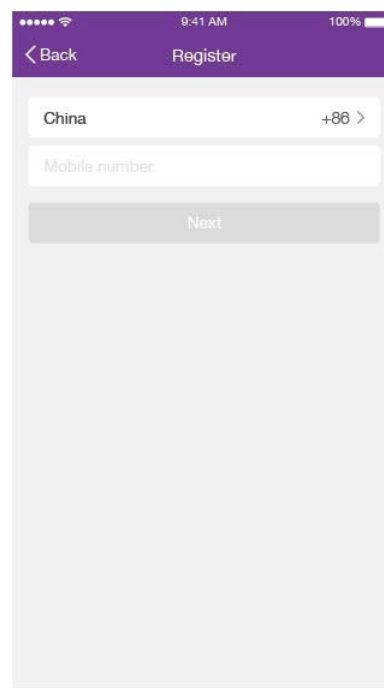
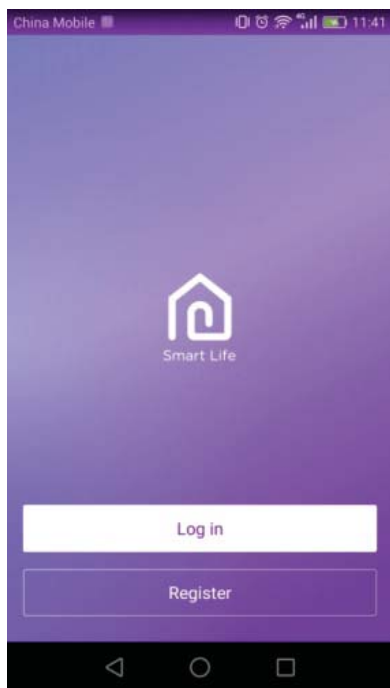
2. Air conditioner activation QR code



3. Air conditioner activation code WORDS:_____

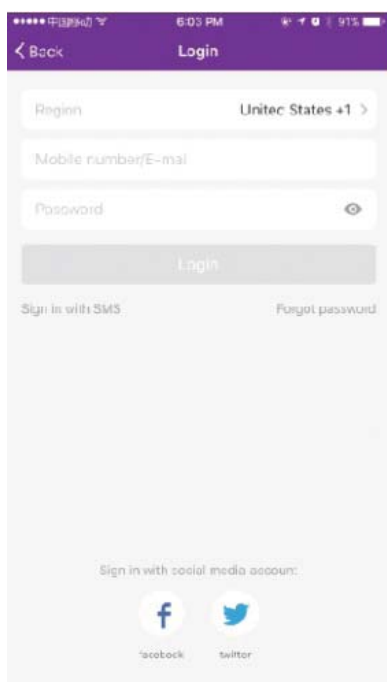
Register user account

When you first time use the App, you need to register an account. Click “Register” button to enter to the register interface. You can register with email or “Register with Mobile number”.



Login user account

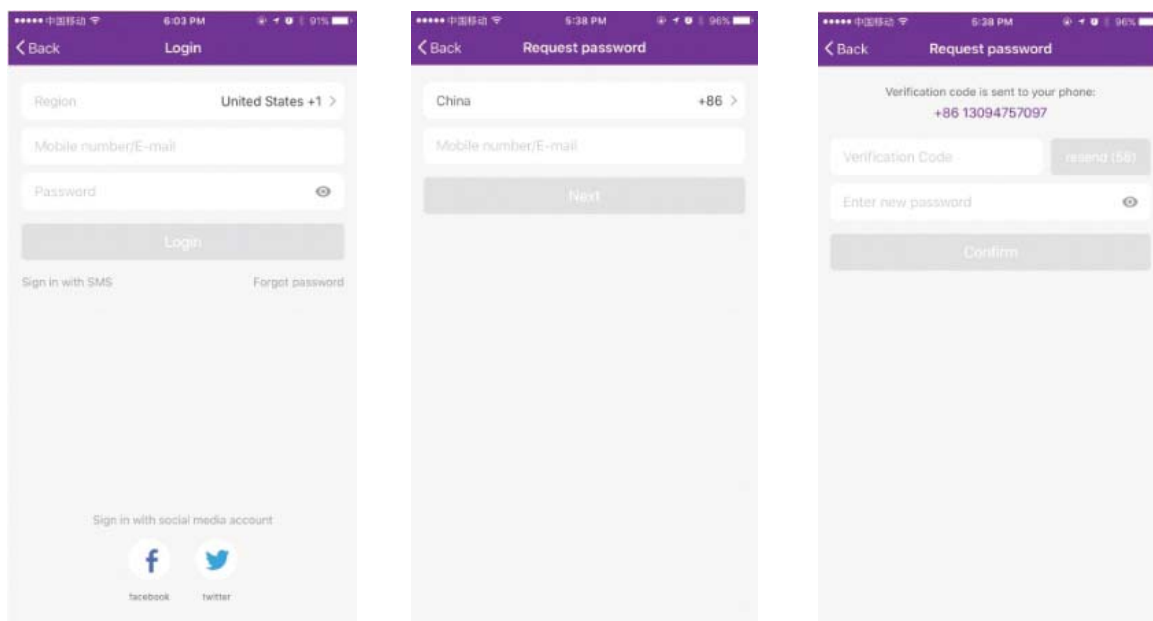
1. Register account login, fulfill the registered email or phone number account and password, press “Login” button.
2. Phone number login, press “Sign in with SMS” button to enter the next page, fulfill the phone number and press “get” button to receive the confirm code, and fill in, then press “Login” button.
3. You also can use the Facebook or Twitter account to login by the below part.



Forget password

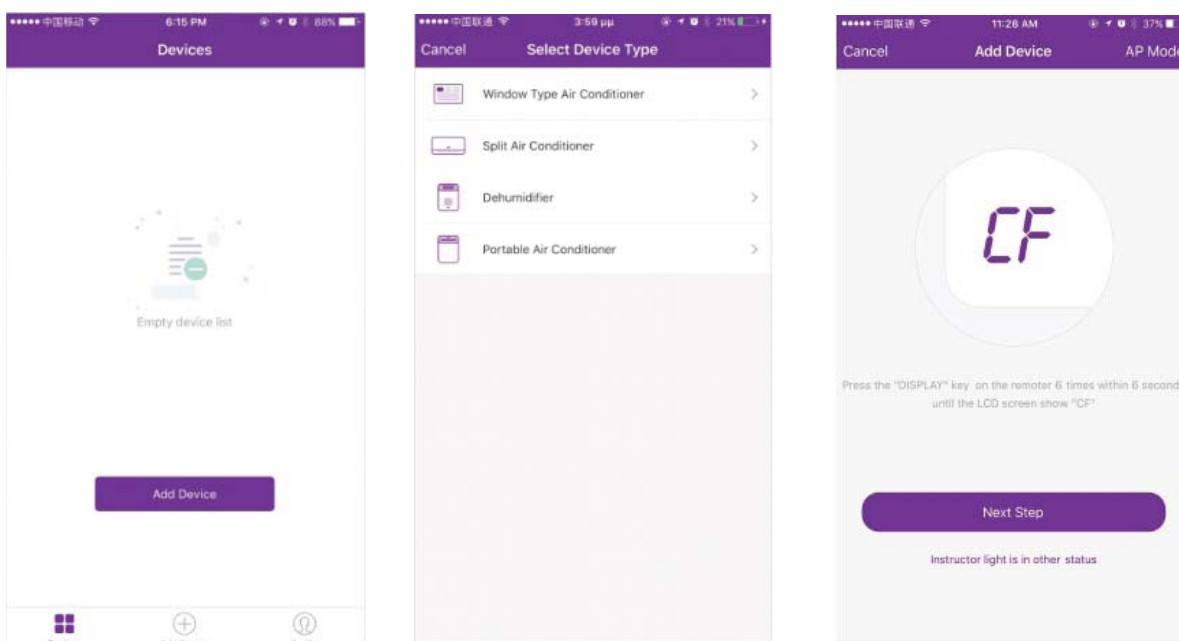
If you forget the password, you can retrieve it by below process.

1. Press the “Forgot password” button to enter the next page.
2. Fulfill the registered phone number or email account, press “Next” button to enter the next page.
3. You will receive the verification code, fulfill it, and set the new password, press “confirm” button to finish.



Add the device

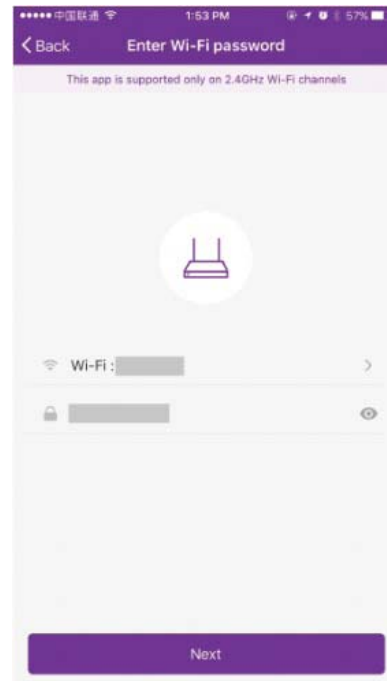
1. Press “Add Device” button to next page, select the product type.
2. There are two methods to do the device match, “CF” or “AP mode”. You can choose by the different button..



Add the device (CF mode)

For CF Mode

1. The system defaults to CF mode at first, Press “Next Step” to continue.
2. Select the home router, and fulfill the password of router, press “Next” to continue.



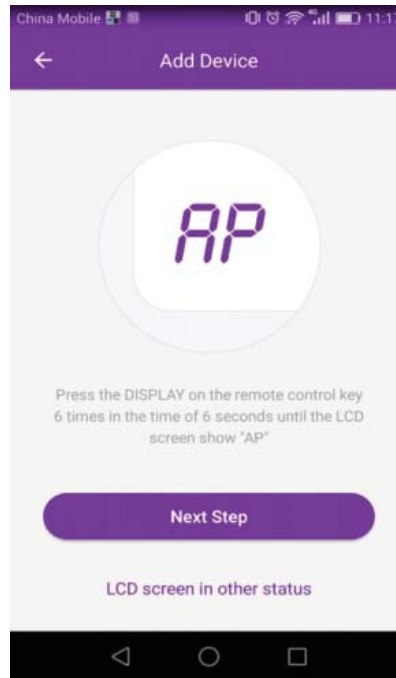
3. The APP software will automatically do the device match.
4. After match successfully, the page will display the prompt as below.
5. You can “Rename” the device name as you like, or share with family, or press “Done” to start to control the device.



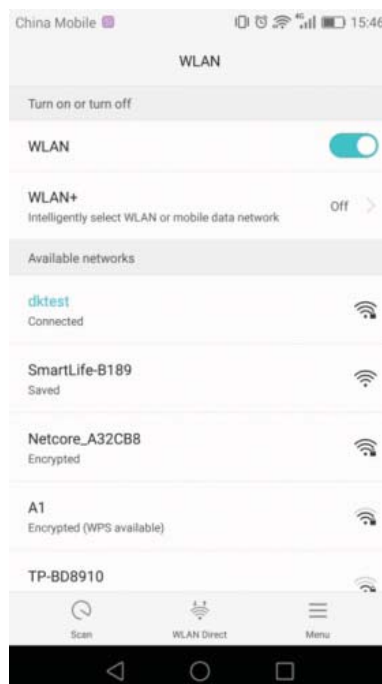
Add the device (AP mode)

For AP mode

1. Click the “AP Mode” to the “AP” page. Press “Next Step” to continue.
2. Select the home router, fulfill the password, press “Next” to continue.

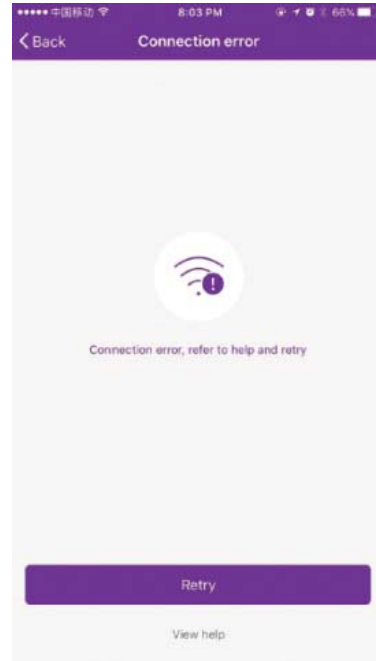


3. Select the AC Device as name “SmartLife-XXX” at the WLAN setting, then back to the APP interface. The APP will automatically do match.



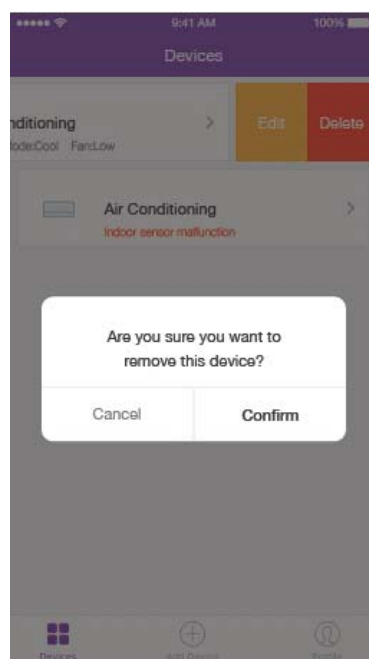
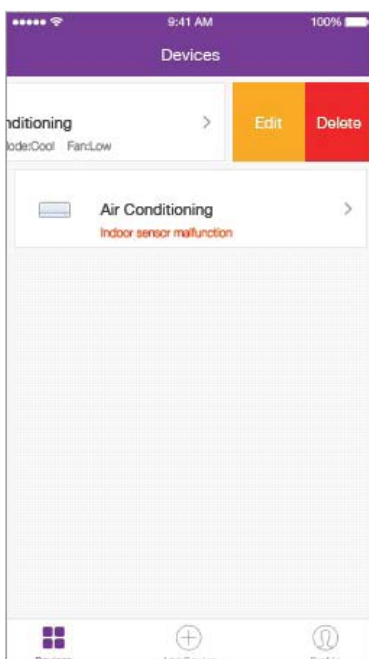
Add the device (AP mode)

4. After match successfully, the page will display the prompt as below.
5. If match failed, the APP will mention it, and press “Retry” to try again.



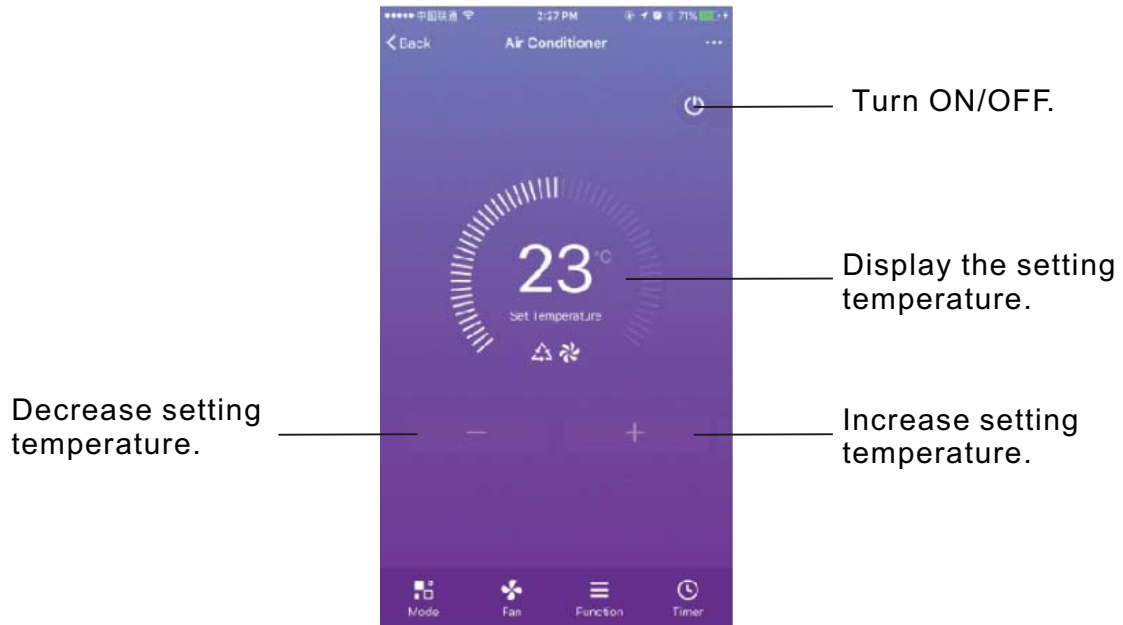
Delete the device or Modify device name

- Go back to “Device list” page at first.
Slide the device name toward the left side, you can choose to delete it, or modify the device name as you like.



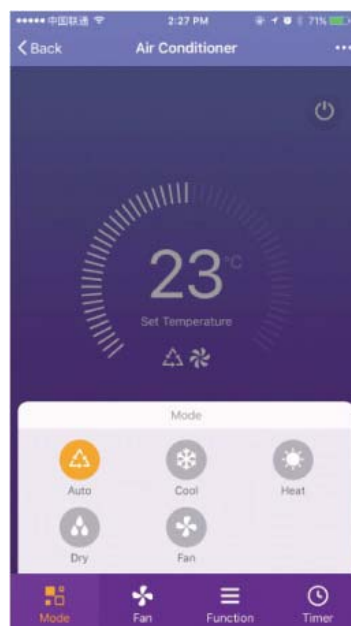
Air conditioner control

1. Click the air conditioner name to enter the control interface. Turn ON/OFF. Adjust the setting temperature.



*For App update, there maybe deviation of the actual items from what is on the manual without prior notice. We express our apologies.

2. Adjust the different operating mode, Cool, Heat, Dry, Fan, Auto mode. Click the "Mode" button, and choose different running mode as you like. For the cooling only unit, the heat mode is no useful. For Dry mode, at the first 3 minutes, the APP temperature display may be little different from the unit display, caused by the unit temperature fast changing.

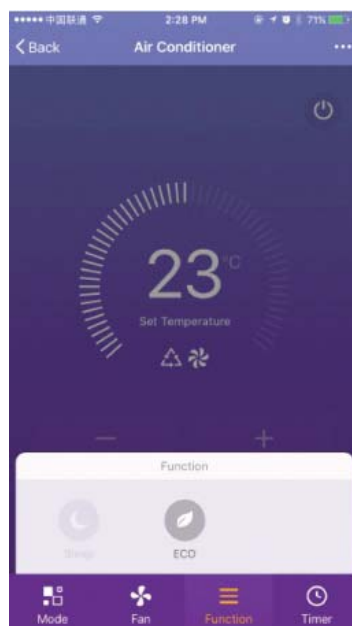


Air conditioner control

3. Click the “Fan” button, choose different fan speed, Low, Med, High, Auto.

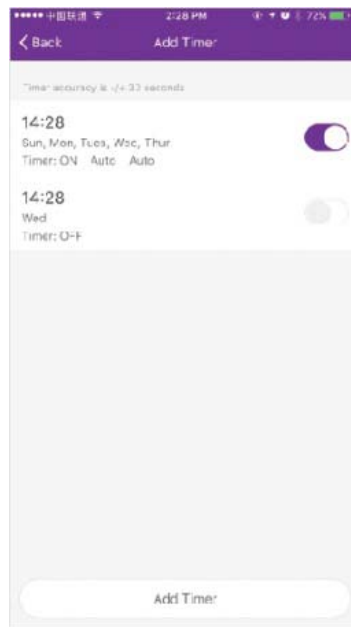


4. Other function control can be selected by “Function” button, Sleep, ECO. When Sleep mode, the fan speed will be fixed to low speed.

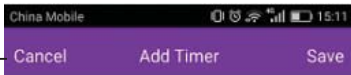
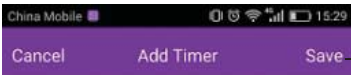
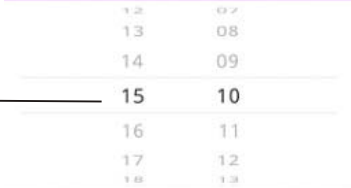
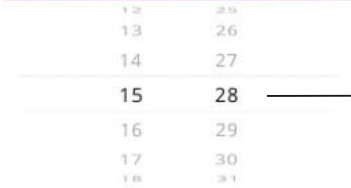

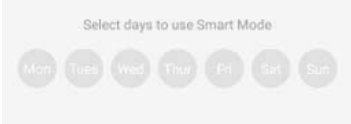





Air conditioner control

5. Setting Timer function. Click the “Timer” button, the APP will enter to timer setting interface. It will display the task scheduler set before. You can long-term press to edit or build a new scheduler by “Add Timer” button.

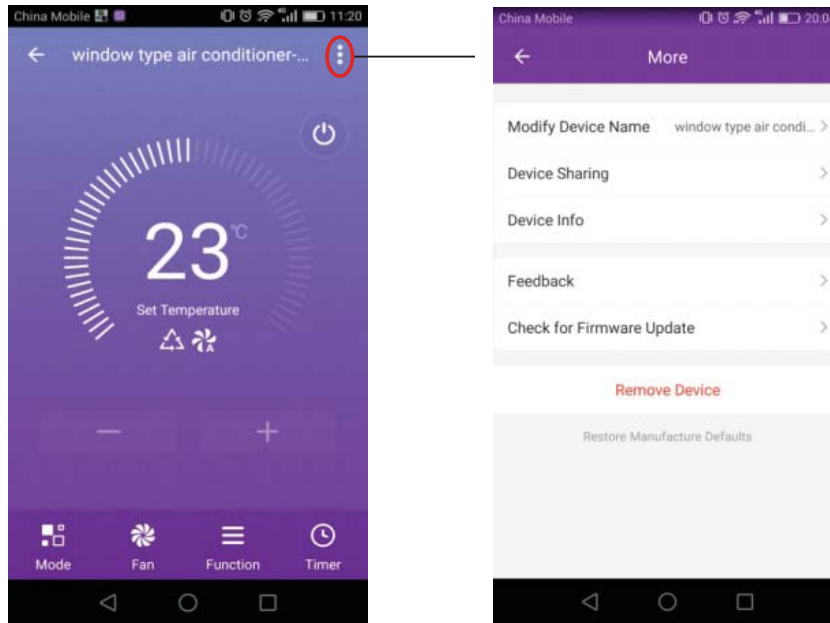


6. Click “ON” or “OFF” button to set Timer ON or Timer OFF. You can set Hour, Minute, operate Mode, operate Fan Speed, operate Temperature, also can set the weekly Timer. After finish the setting, click the button to cancel or confirm.

| | | | |
|---------------------|---|--|----------------------|
| Timer cancel |  |  | Timer submit |
| Hour setting |  |  | Minute setting |
| Mode setting |  |  | Weekly setting |
| Fan Speed setting |  |  | Timer ON/OFF setting |
| Temperature setting |  | | |

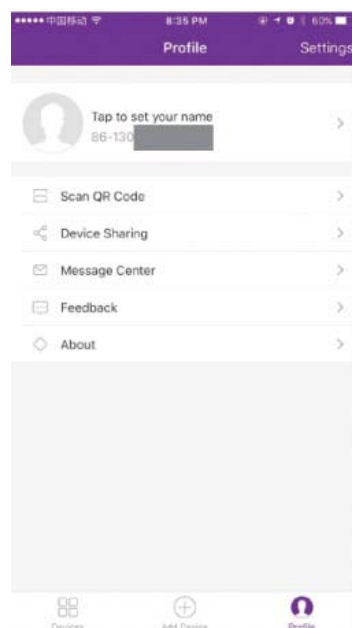
Air conditioner control

7. More setting. From the right-up corner, you can do more function setting, as Modify Device Name, Device Sharing, Device information, Feedback, Check for firmware update, Remove Device, Restore Manufacture setting.



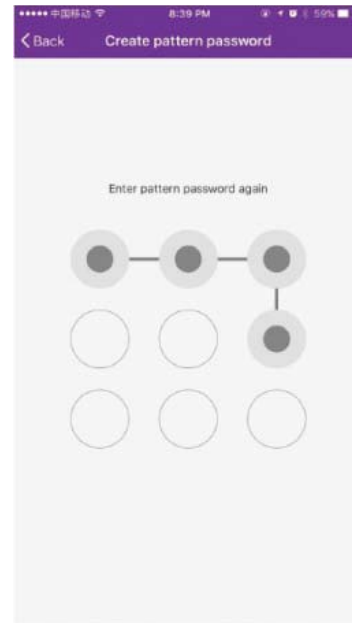
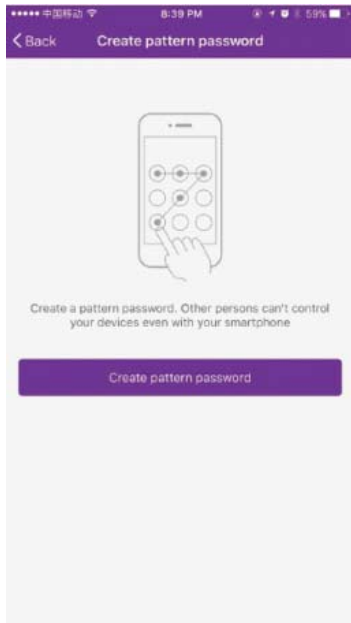
8. Profile. You can manage your personal information. It includes:

- a, Account information.
- b, Scan QR code: Developers could preview the control interface.
- c, Share Device: Display user's device sharing information.
- d, Message Centre: Displays all messages that system sent to users.
- e, Feedback: Where users could submit feedback online.
- f, About: Displays the current App version information.



Air conditioner control

9. Pattern unlock. Tap “Pattern unlock” to set up your App unlock pattern. After it is enabled, you need to draw the pattern to unlock the App.



Trouble shooting

| Description | Analysis of cause |
|--|---|
| Air conditioner can't be configured successfully | <ol style="list-style-type: none"> 1. Check the mobile connected WIFI address and password is correct; 2. Check the air conditioner under configuration status; 3. There are any firewall or other restrictions have been set or not; 4. check the router work normally; 5. Make sure air conditioner, router and mobile work within signal scope 6. Check router shielding App or not |
| Mobile can't control air conditioner | <p>Software display: Identification failed, It means the air conditioner has been reset, and the mobile phone lost control permission. You need to connect WIFI to get permission again. Please connect the local network and refresh it. After all still can't work, please delete air conditioner and wait its refresh.</p> |
| Mobile can't find air conditioner | <p>Software display: Air conditioner out of line. Please check network working</p> <ol style="list-style-type: none"> 1. The air conditioner has been reconfiguration 2. Air conditioner out of power 3. Router out of power 4. Air conditioner can't connect to router 5. Air conditioner can't connect to network through the router(under remote control mode) 6. Mobile can't connect to router(Under local control mode); 7. The mobile phone can't connect to network (under remote control mode). |