

7. Block Diagram

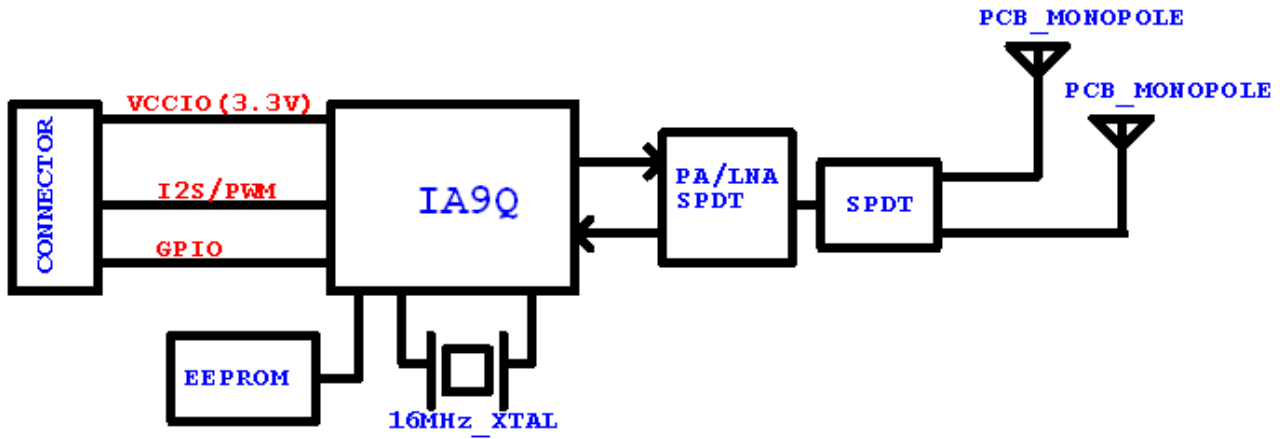


Fig 7.1 Block Diagram of IA9Q5 S83D Module