

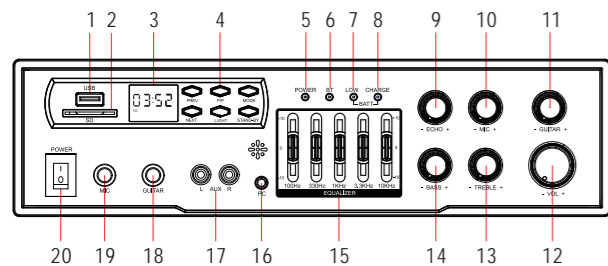
## Bluetooth DJ Speaker

MODEL: PA10130

## Instruction Manual



### CONTROL PANEL



- 1) **USB sockets:** To connect USB devices support media files.
- 2) **CARD sockets:** To connect SD/MMC Card devices support media files.
- 3) **LED display window:** Display playback time or mode information.
- 4) **Panel button:** Press the button to execute the corresponding function.
- 5) **Power LED:** The light indicates the speaker has been switched on.
- 6) **BT LED:** Slow flashing means the speaker is searching for a device; steady light means Bluetooth is connected.
- 7) **Low LED:** Flashing means low battery, please recharge..
- 8) **Charge:** Indicates the battery is charging.
- 9) **ECHO:** Adjust the microphone reverberation depth.
- 10) **MIC VOL:** Adjust the microphone volume.
- 11) **GUITAR VOL:** Adjusts the guitar volume.
- 12) **Main volume:** Adjusts the machine total volume.
- 13) **TREBLE:** Adjust the high-pitched sound gain. The adjusting range is between - 6 + 6.
- 14) **BASS:** Adjust the bass sound gain. The adjusting range is between - 6 + 6.
- 15) **EQUALIZER:** Adjust the gain and the attenuation of different frequency sound.
- 16) **PC IN:** Connect external audio equipment, 3.5mm mini port.
- 17) **AUX IN:** Connect external audio equipment, RCA port.
- 18) **GUITAR sockets:** connect a electric guitar.
- 19) **MIC sockets:** connects a microphone to talk or sing.
- 20) **POWER ON/OFF:** Turns on or off the machine power supply

### WARNING

- Do not share the power socket unit with other electrical appliances.
- Pull off the power plug to save power in case the machine is not being used.
- Do not dismantle the machine and try to repair it or reassemble it by yourself.
- Be careful of the wire and keep proper maintenance. Do not press, twist, pull, lengthen or push the cable to avoid electrical hazards and damage to the cable.
- Do NOT connect the speaker to voltages below 100V or above 240V. When the voltage is below 100V, the machine may not work and its useful life period will be affected adversely. When the voltage is above 240V, the machine may be burned down or cause fire.
- Do not clean or wash with water or use in the bathroom to avoid the possibility of accidents or problems. To prevent suffering an electrical shock or another accident, do not operate the appliance in a rainy or humid environment.



- This symbol indicates that dangerous voltages constituting a risk of electric shock are present within this unit.
- This symbol indicates that there are important operating and maintenance instructions in the literature accompanying this unit.
- This symbol indicates that this product incorporates double insulation between hazardous mains voltage and user accessible parts. When servicing use only identical parts.

### COMPLIANCE WITH FCC REGULATIONS

This device complies with Part 15 of the FCC Rules. Operation is subject to the following two conditions:  
1. This device may not cause harmful interference, and  
2. This device must accept any interference received, including interference that may cause undesired operation.

**FCC WARNING**  
This equipment has been tested and found to comply with the limits for a Class B digital device, pursuant to Part 15 of the FCC Rules. These limits are designed to provide reasonable protection against harmful interference in a residential installation.

This equipment generates uses and can radiate radio frequency energy and, if not installed and used in accordance with the instructions, may cause harmful interference to radio communications.

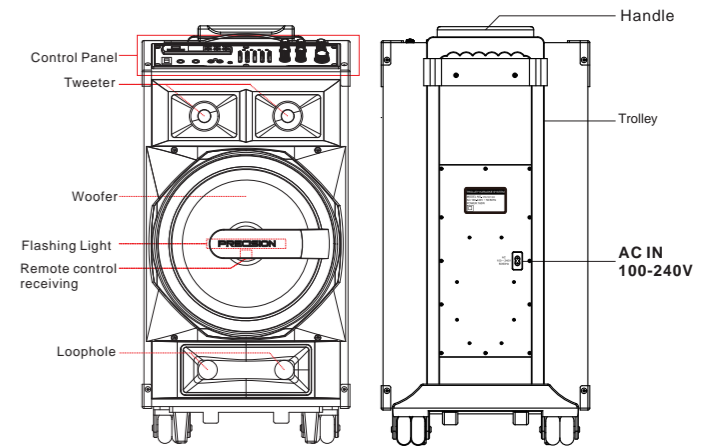
However, there is no guarantee that interference will not occur in a particular installation. If this equipment does cause harmful interference to radio or television reception, which can be determined by turning the equipment off and on, the user is encouraged to try to correct the interference by one or more of the following measures:

- Reorient or relocate the receiving antenna.
- Increase the separation between the equipment and receiver.
- Connect the equipment into an outlet on a circuit different from that to which the receiver is connected.
- Consult the dealer or an experienced radio/TV technician for help.

**Caution:**  
Changes or modifications not expressly approved by the party responsible for compliance could void the user's authority to operate the equipment.

The device has been evaluated to meet general RF exposure requirement. The device can be used in portable exposure condition without restriction.

### INTRODUCTION



#### Product Features

- \*AC 100-240V 50-60Hz
- \*7200MAh Sealed Rechargeable Battery
- \*Bluetooth BT3.0+EDR
- \*100Hz-10KHz 5 EQ and Treble/Bass control
- \*USB 2.0/SD Device 64MB-64GB Support MP3/WMA audio
- \*BT/USB/SD/FM/AUX in(RCAx2)/PC in(3.5mm)/Guitar/MIC (6.3mm) with Karaoke

#### Output Power&speaker Impedance:

- \*Output power: 130Watts
- \*Speaker: Woofer(3Ω -120W) + Tweeter (6Ω -30Wx2)

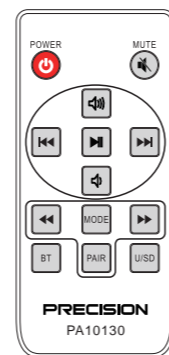
**Product Size:**L(325mm) x W(360mm) x H(650mm)

#### Batteries:

- \* The speaker has a built-in Sealed Rechargeable battery; please charge it completely before the first use for 8 to 10 hours.
- \* When the speaker is in use, it will notify when battery power is low; please connect AC power to recharge the battery.
- \* When you are not going to use this product for a long time, store it safely and recharge the battery every 4 to 6 months. Avoid battery failure caused by not recharging after the battery charge runs out.

### REMOTE CONTROL

- ⏻ : Press it to switch to standby mode.
- 🔊 : Turn up the volume .
- 🔇 : Turn down the volume.
- ⏮ : Skip to previous song.
- ⏭ : Skip to next song.
- U/SD: Quickly switch to USB or SD mode.
- BT: Quickly switch to Bluetooth mode.
- 🔇 : Press the button to shift mute mode, and press it again to cancel the mute.
- ⏸ : When the speaker is playing, press this button to pause; press it again to return to normal operation. In FM mode, press it to automatically search radio stations.



- MODE:** Press it to switch from one mode to another, such as USB mode Bluetooth mode..
- PAIR:** Press it to disconnect the Bluetooth equipment connected, and go back to searching pattern.
- REV:** In USB/SD mode, long press to rewind songs quickly. In radio mode, press it to go to the previous channel.
- FWD:** In the USB/SD mode, press it to fast forward songs. In radio mode, press it to go to the next channel.
- LIGHT:** This button can switch lights display mode. There are six colors of lights: red, green, blue, cyan, yellow, and purple. You can choose a different color display cycle or single color light cycle.

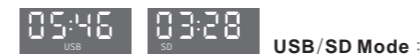
#### Remote Control Use Ready



Note: Before first use, please remove the insulation piece from the battery area and then, the remote control can be used normally

### FUNCTIONAL MODEL

[MODE] / [BT] / [U/SD]: Press [MODE] to switch between different play modes, such as USB mode and Bluetooth mode, or directly press [BT] or [U/SD] to switch the mode.



#### USB / SD Mode :

- 1) When you insert a USB or SD card into the machine, in any mode, it will automatically play the MP3/WMA files in the USB/SD card.
- 2) Without inserting a USB/SD, the key: [U/SD] on the remote control will be invalid. If you press the MODE key on the remote control, you cannot switch to USB/SD mode.



#### Bluetooth mode:

- 1) When choosing Bluetooth mode, the letters "BT" will show and flash on the screen.
  - 2) After successfully connecting Bluetooth, the letters "BT" will not flash anymore.
  - 3) The Bluetooth name of this model is the PA10130.
  - 4) Once the machine's Bluetooth is already connected to a device, other devices can't search and connect with it again.
- If you want to connect with another device, first you will have to disconnect the current connection, by pressing the "PAIR" button on the remote to disconnect the connection so that the machine can be connected again to another device.



#### AUX / PC in mode :

- 1) Under "AUX / PC In mode, you can connect external audio equipment like a DVD using an extra audio cable.
- 2) Under "AUX / PC In mode, only the following buttons: [POWER], [MUTE], [VOL +], [VOL -], [BT], [U/SD] and [MODE] can be used



#### FM mode:

- 1) The speaker supports FM radio, and the scope of the frequency is 88-108 MHz.
- 2) In radio mode, press PLAY/PAUSE to automatically search and store the radio stations, and press [NEXT] or [PREV] to adjust the radio.
- 3) In radio mode, press [rev] or [fwd] to adjust different frequencies.
- 4) To search more channels and listen to the radio clearly, please try to install close to a window or go outside when using FM radio mode.

Note: this machine has an external audio input rating of 700 mv. When severe distortion of the sounds occurs when it is connected to external devices as DVD, please reduce the volume of the external devices

### TROUBLESHOOTING

When your speaker seems to malfunction, please refer to the following troubleshooting guide to solve the most common problems. If after following the steps on the table the fault has not been eliminated, please contact the local near after-sales service department

Malfunction	Inspection and action
No power	Check if the power switch is on and turn the switch on. Check whether the machine in standby mode and press the power key to turn on. Check if the speaker has run out of battery and connect AC power to charge.
No Sound	Check if the music files in the USB/CARD are in MP3 / WMA format, if not, please convert them first. Check whether external audio source and audio cable are OK. If not, try to change the external audio source and audio cable. Check whether the machine is set on MUTE (silent). If so, please cancel the MUTE operation (Mute button). Check the master volume. Turn master volume knob and and remote control VOL + to increase volume.
Mic/guitar No Sound	Check whether the MIC and guitar volume knobs have been set to zero. If so, please increase volume. Check if the microphone and the guitar are ok. If they are not, please try to replace them.
No Remote Function	Check whether the insulation of the battery inside the remote control has been removed. If not, please remove it. Check whether the remote battery power is depleted and if it is, replace it.

#### Package Contents

Before installation, please check the contents of the package. the package should contain the following items:

- 1 PA10130 host
- 2 Remote Control
- 3 User Manual
- 4 Microphone
- 5 Power-Cable