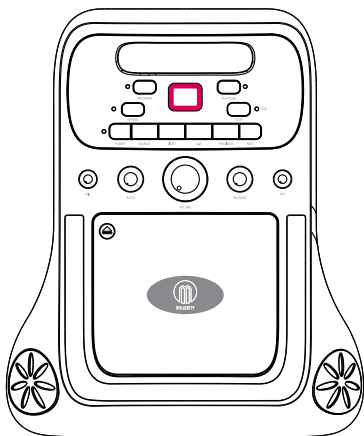




MAJORITY

Instruction Manual

CD+G/Bluetooth/USB/AUX Karaoke System



PTY-KAR-WHT

Please read the instructions completely, before attempting to connect, operate or adjust this product.

COMPLIANCE WITH FCC REGULATIONS

This device complies with Part 15 of the FCC Rules.

Operation is subject to the following two conditions:

1. This device may not cause harmful interference, and
2. This device must accept any interference received, including interference that may cause undesired operation.

FCC WARNING

This equipment has been tested and found to comply with the limits for a Class B digital device, pursuant to Part 15 of the FCC Rules. These limits are designed to provide reasonable protection against harmful interference in a residential installation.

This equipment generates uses and can radiate radio frequency energy and, if not installed and used in accordance with the instructions, may cause harmful interference to radio communications.

However, there is no guarantee that interference will not occur in a particular installation.

If this equipment does cause harmful interference to radio or television reception, which can be determined by turning the equipment off and on, the user is encouraged to try to correct the interference by one or more of the following measures:

- Reorient or relocate the receiving antenna.
- Increase the separation between the equipment and receiver.
- Connect the equipment into an outlet on a circuit different from that to which the receiver is connected.
- Consult the dealer or an experienced radio/TV technician for help.

Caution:

Changes or modifications not expressly approved by the party responsible for compliance could void the user's authority to operate the equipment.

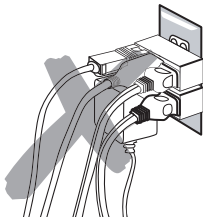
The device has been evaluated to meet general RF exposure requirement. The device can be used in portable exposure condition without restriction.

CONTENTS

NOTES	3
SAFETY PRECAUTIONS	4
INTRODUCTION	5
BATTERY INSTALLATION	6
CONNECTIONS	6
OPERATION INSTRUCTION	7
MICROPHONE OPERATION	8
CD OPERATION	8
BLUETOOTH OPERATION	9
USB OPERATION	9
AUX OPERATION	10
SPECIFICATIONS	10

WARNINGS

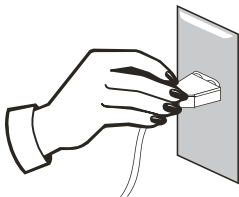
Do not share a same power socket unit with other electric appliances.



Do not self-dismantle the machine and repair it or reassemble it by yourself.



Pull off the power plug to save the power in case that you do not use the machine.



Do not use the switching power supply below

100V or above 240V. When the voltage is below 100V, the machine may not work and its life length will be affected adversely. When the voltage is above 240V, the switching power supply may be burned down or cause



Be careful of the wire and maintenance. No processing, twisting, pulling, lengthening or pressurizing the wire insure the safety.



No water-washing of the machine or use in bathroom to stem the possibility or accidents or problems.



SAFETY PRECAUTIONS

1. This appliance must not be used by persons (including children) with physical or mental impairments or by persons with insufficient experience and knowledge, unless they are under supervision or have been instructed about the operation of the appliance by the person responsible for their safety.
2. Children should be under supervision and should not play with the appliance.
3. Do not submerge the power cord, the plug or the appliance in water or other liquids.

Installation location

Leave sufficient space around the appliance of at least 5 cm from any wall/obstacle to ensure proper ventilation and prevent the appliance from overheating. The following places are not suitable installation locations for the appliance:

- an unstable location
- a location near a heat source or in direct sunlight.
- in a wet or dusty environment

Warning

To prevent suffering an electrical shock or another accident, do not operate the appliance in a rainy or humid environment.

Cleaning and maintenance

- Use a soft cloth or cotton dipped in a neutral solution for cleaning the surface of appliances. Do not use the type of cloth that you use for washing dishes or aggressive chemical agents.

Before moving the appliance

- Before moving the appliance to a different location, please take the disc out of the appliance so that the disc and appliance will not be damaged.

Storm

- If the appliance is not working properly during a storm, please disconnect the plug from the power socket and reinsert it after a minute.

Do not drop small items or a liquid into the appliance

- In the event that you find small items or a liquid inside the appliance, you see smoke or smell an odors, immediately disconnect the appliance from the power grid. Send the appliance to an authorized service center.

Repacking the appliance

- When sending the appliance by a transport company, use the original packaging to prevent its damage during transport.

INTRODUCTION

CD player

A CD (compact disc) is an audio medium with the MPEGII format, which offers various entertainment possibilities. MPEG II compressed audio technology offers outstanding audio quality.

Information about the disc

Disc type	CD
Decoding method	Digital
Capacity	650 MB = 74 min
Disc size	12 cm/8 cm

Disc care

- The CD contains high density compressed data and requires careful handling
- Always hold the disc with your fingers in such a way that one finger holds the disc in its center and the thumb holds the outer edge of the disk. Do not touch the surface of the disc.



- Do not bend or put pressure on the disc. Do not subject it to direct sunlight or sources of heat.

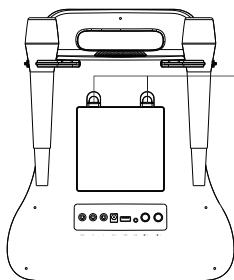


- Store disks in a cupboard in a vertical position and in a dry environment.

Do not subject the disc to:

- direct sunlight
- sources of heat
- excessive humidity
- Clean the disc using a soft, dry, clean cloth. Wipe the surface gently, always in the direction from the center to the outer edge of the disc.
- Do not use thinners, solvents or sprays to clean the surface of the disc. These will destroy the surface of the media.

BATTERY INSTALLATION

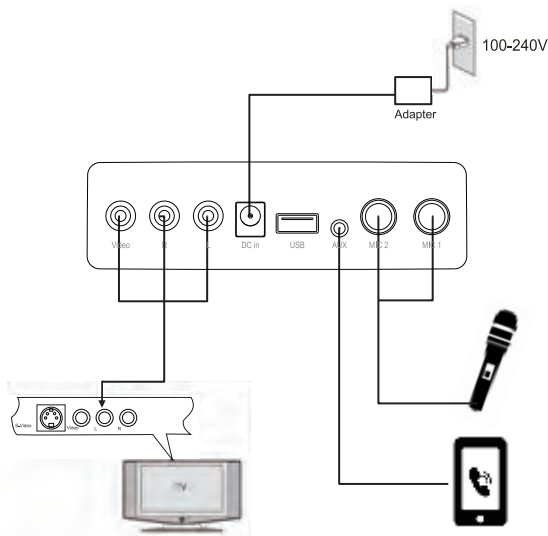


2 hooks

Push hook to open battery compartment

Follow icon to installation C cell battery 8 pieces.

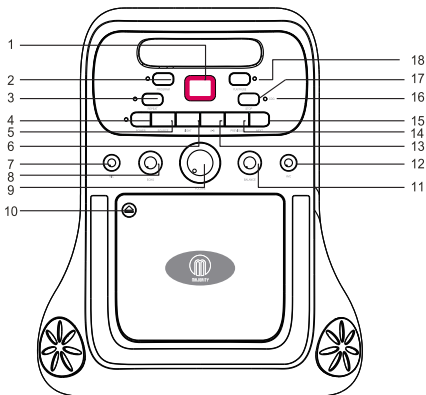
CONNECTIONS



OPERATION INSTRUCTION

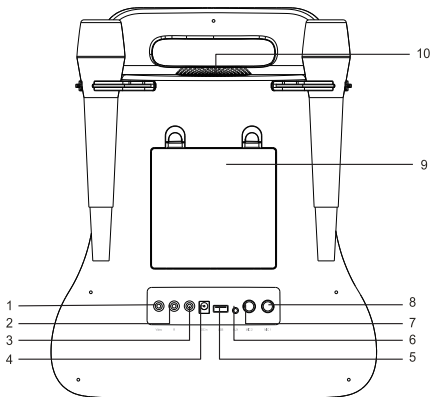
FRONT

1. DISPLAY
2. PROGRAM
3. REPEAT
4. POWER
5. SOURCE
6. LIGHT
7. MIC
8. ECHO
9. VOLUME
10. OPEN/CLOSE
11. BALANCE
12. AVC
13. A-B
14. PREVIOUS
15. NEXT
16. CDG
17. STOP
18. PLAY/PAUSE



REAR

1. VIDEO
2. AUDIO R
3. AUDIO L
4. DC IN
5. USB
6. AUX
7. MIC 2
8. MIC 1
9. BATTERY COMPARTMENT
10. SPEAKER



MICROPHONE OPERATION

POWER	Push "POWER" button to turn on and push again to turn off unit.
MIC	Adjust "MIC" volume control on your unit to a comfortable level to obtain the best performance WARNING: To avoid microphone feedback, do not hold the microphone too close with speaker.
ECHO	Adjust "ECHO" control on your unit to enhance the singers' voice for a concert hall effect
BALANCE	Allows you to eliminate the lead singers' voice by rotating the knob to the left when play multiplex recording or eliminate the music when rotating the knob to the right. NOTE: When playing an audio CD or music only recording, the balance knob will shift recording to the right or to the left channel.
AVC (Auto Voice Control, multiplex discs only)	Allows you to replace the lead singers' voice with your own when playing a multiplex recording audio. The vocals on the multiplex recording will be muted when using the microphone. When the microphone is not in use, the pre-recorded vocals will resume on a multiplex disc. AUTO VOICE CONTROL can be activated by rotating the Auto Voice Control.
VOLUME	Adjust "VOLUME" knob on your unit to a comfortable level.

CD OPERATION

POWER	Push "POWER" button to turn on and push again to turn off unit.
SOURCE	Press "SOURCE" button to select source at CD. Display indicated "Cd".
OPEN/ CLOSE	Push "OPEN/CLOSE" button to open disc door and then place a CD or CDG disc in the compartment with printed side facing upward and shiny side facing down. Gently close the disc door. The display will show the total number of track and playing automatically. If no disc is loaded, the display will show "No". If a CDG is loaded, the CDG indicator will light up. NOTE: 1. Never place anything except a compact disc in the CD compartment. Foreign objects can damage the unit. 2. Only place one disc in the CD compartment at a time.
PLAY/ PAUSE	Press "PLAY/PAUSE" button to start playing music, red LED light up; press again to pause music and red LED flashes. Press again to resume play. Adjust "VOLUME" knob on your unit to a comfortable level. NOTE: Pressing "PLAY/PAUSE" button repeatedly when a CDG is playing may cause distorted lyrics on your TV screen. Any distortion will remain on the TV screen until it is either refreshed, during an instrumental break or, when the song is stopped and/or when the song is started from the beginning.

MICROPHONE OPERATION

STOP	Press "STOP" button to stop playing music and play/pause LED turn off
PREVIOUS	Press "PREVIOUS" button to previous track playing. Press and hold it, the CD will search at high speed in backward direction. Normal play will continue when you release the button.
NEXT	Press "NEXT" button to next track playing. Press and hold it, the CD will search at high speed in forward direction. Normal play will continue when you release the button.
REPEAT	Press "REPEAT" to repeat track currently playing. Press REPEAT once, the red LED flashes; press again to repeat all track and red LED light up and stay lit; press again to clear repeat function and red LED turn off.
PROGRAM	When CD in stop mode. Press "PROGRAM" button to program and play songs in a preselected order. 1.Press "PROGRAM" button until the PROGRAM LED flashes. The track will read "0". Then press PREVIOUS or NEXT to select a desired track. 2.Press "PROGRAM" button to confirm the entry. You can repeat same steps up to a maximum of 20 tracks.
A-B	Press "A-B" button to mark A and press again to mark B, music playback from A to B; press again to normal playback.
CDG	CDG red LED light when playback CDG format disc.
LIGHT	Press "LIGHT" button to change lighting mode.

BLUETOOTH OPERATION

POWER	Push "POWER" button to turn on and push again to turn off unit.
SOURCE	Press "SOURCE" button to select source at Bluetooth. Display indicated "Bt" flashes. Used your mobile phone Bluetooth function and follow instruction to search device of unit. Then pair and connect it. The display "Bt" will light up and stay lit when connection completely.
PLAY/PAUSE	Play music from your mobile phone. Adjust "VOLUME" knob on your unit to a comfortable level. Press "PLAY/PAUSE" button to paused music, press again to resume playing. Press "PLAY/PAUSE" button and hold will dis-connect Bluetooth function with your mobile phone, and display "Bt" will flashed again.
STOP	Press "STOP" button to stop playing music.
PREVIOUS	Press "PREVIOUS" button to previous track playing.
NEXT	Press "NEXT" button to next track playing.
LIGHT	Press "LIGHT" button to change lighting mode.

MICROPHONE OPERATION

USB OPERATION

POWER	Push "POWER" button to turn on and push again to turn off unit.
SOURCE	Press "SOURCE" button to select source at USB. Display indicated "U". Music will load and playing automatically.
PLAY/PAUSE	Press "PLAY/PAUSE" button to start playing music, red LED light up; press again to pause music and red LED flashes. Press again to resume play. Adjust "VOLUME" knob on your unit to a comfortable level. NOTE: Pressing "PLAY/PAUSE" button repeatedly when a CDG is playing may cause distorted lyrics on your TV screen. Any distortion will remain on the TV screen until it is either refreshed, during an instrumental break or, when the song is stopped and/or when the song is started from the beginning.
STOP	Press "STOP" button to stop playing music and play/pause LED turn off.
PREVIOUS	Press "PREVIOUS" button to previous track playing. Press and hold it, the CD will search at high speed in backward direction. Normal play will continue when you release the button.
NEXT	Press "NEXT" button to next track playing. Press and hold it, the CD will search at high speed in forward direction. Normal play will continue when you release the button.
REPEAT	Press "REPEAT" to repeat track currently playing. Press REPEAT once, the red LED flashes; press again to repeat all track and red LED light up and stay lit; press again to clear repeat function and red LED turn off.
PROGRAM	When CD in stop mode. Press "PROGRAM" button to program and play songs in a preselected order. 3.Press "PROGRAM" button until the PROGRAM LED flashes. The track will read "0". Then press PREVIOUS or NEXT to select a desired track. 4.Press "PROGRAM" button to confirm the entry. You can repeat same steps up to a maximum of 20 tracks.
A-B	Press "A-B" button to mark A and press again to mark B, music playback from A to B; press again to normal playback.
CDG	CDG red LED light when playback CDG format program
LIGHT	Press "LIGHT" button to change lighting mode.

AUX OPERATION

POWER	Push "POWER" button to turn on and push again to turn off unit.
SOURCE	Press "SOURCE" button to select source at AUX. Display indicated "AH".
PLAY/PAUSE	Playing you audio device. Adjust "VOLUME" knob on your unit to a comfortable level.
LIGHT	Press "LIGHT" button to change lighting mode.

SPECIFICATION

OUTPUT POWER	5 Watts (RMS)
SPEAKER	8 Ohm, 3", 5W
FREQUENCY RESPONSE	100Hz - 20KHz
SINGALTO NOISE RATION	>70dB (A-WTD)
POWER	AC: 100-240V;DC 12V/1A 8x"C" cell (Battery are not included)

