

成品尺寸：70*133mm 风琴折

128g铜版纸 4色印刷

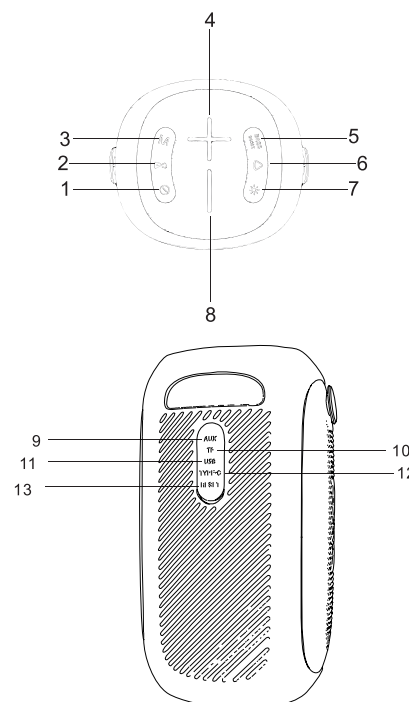


Technical Specifications:

Wireless standard: 5.0
 Transmission distance: 10 meters
 Output power: 35W +10W*2
 Playing time: 4 - 5 hours
 Frequency effect: 80Hz-15Khz
 Speaker: : 4"35W and 2.5"x2 10W
 Input power: 5V \equiv 2A
 Maximum current consumption: 2A
 Battery type: 18650 lithium ion battery 7.4V 3600mAh
 Audio signal input interface: standard Φ 3.5mm headphone jack (stereo)

Features:

1. Wireless connection
2. Memory function, breakpoint resuming
3. Support U disk / TF card / AUX playback mode
4. Built-in lithium ion battery
5. Support MP3/ WAV/ WMA/ FLAC/ APE music format decoding
6. Using high-fidelity speakers, the sound is more natural and delicate
7. Level 5 waterproof
8. TWS device serial connection function



正面

Button instruction:

1. POWER
Press and hold 3 seconds to turn on or off speaker.
2. TWS
Press to turn on or off TWS mode.
3. Mode
Press to switch Bluetooth, USB, TF card and AUX mode cyclic. (Please insert USB, TF card and AUX cable).
4. +
Press to increase volume; Press and hold to next music program.
5. Bass boost
Press to select different bass sound effect.
6. Play/Pause
Press to playback or pause music program.
In Bluetooth mode:
Press and hold to disconnect or reconnect paired Bluetooth device.
7. Light
Press to switch lighting mode; press and hold to turn on or off light.
8. -
Press to decrease volume; Press and hold to previous music program.
9. AUX
Connect external audio device.
10. TF
Insert TF card that had install MP3 audio files.
11. USB
Insert USB that had install MP3 audio files.
12. Type C
Plug type C charging cable to charge your speaker.
13. RESET
Press to reset speaker when the speaker is abnormal.

Directions for use:

1. Wireless pairing
 - 1.1. Before using wireless pairing, first turn on the audio power, it is already the default wireless model.
 - 1.2. Turn on the wireless device, search for **MS-PB55** connect and pair, connect After success, start playing music experience.
2. Suitable for various mobile phone accessories wireless technology, wireless adapter, wireless player.
3. Voice prompt
 - 3.1. There is a tone prompt when turning on/off;
 - 3.2. There is a tone prompt when the volume is increased to the maximum volume, and there is no tone prompt at the minimum volume.
 - 3.3. Low power prompt 3 times to shut down;
4. Mode switching
 - 4.1. The wireless mode is entered by default after booting.
Mode switching sequence: wireless mode-TF card mode-U disk mode-AUX mode
 - 4.2. Mode: Post-insertion priority.
5. Indicator light:
Bluetooth search status: white light flashes quickly, about 0.5 seconds/time
Wireless pairing status: the white light is always on;
Playing status: The white light flashes slowly for about 1.5 seconds/time;
The red light is on when the speaker is charged, and the red light is off when it is fully charged.
6. Volume
The default speaker volume is 70% when it is turned on.

7. Charging use:

The machine has a built-in overcharge protection circuit, which can be connected to a computer or charger for a long time, about four hours The charging can be completed. The playing time of each battery will vary depending on the volume used It's different.

8. No working status, it will automatically shut down after 15 minutes.

Troubleshooting:

1. Automatic shutdown: When the battery power is low, the battery protection will be turned on automatically, please charge it for 4 hours before use.
2. Unable to play music: The music file storage path cannot be recognized by the player. Please store the music file in the root directory of the removable device.
3. There is no sound when connected to the computer: the computer interface is connected incorrectly, please select the correct audio output port
4. There is no response to the keys or the function is disordered: try again after shutting down.
5. If the machine has an abnormal jam, you can short press the reset button to reset it.



反面

FCC Statement

This equipment has been tested and found to comply with the limits for a Class B digital device, pursuant to part 15 of the FCC Rules. These limits are designed to provide reasonable protection against harmful interference in a residential installation. This equipment generates, uses and can radiate radio frequency energy and, if not installed and used in accordance with the instructions, may cause harmful interference to radio communications. However, there is no guarantee that interference will not occur in a particular installation. If this equipment does cause harmful interference to radio or television reception, which can be determined by turning the equipment off and on, the user is encouraged to try to correct the interference by one or more of the following measures:

- Reorient or relocate the receiving antenna.
- Increase the separation between the equipment and receiver.
- Connect the equipment into an outlet on a circuit different from that to which the receiver is connected.
- Consult the dealer or an experienced radio/TV technician for help.

Caution: Any changes or modifications to this device not explicitly approved by manufacturer could void your authority to operate this equipment.

This device complies with part 15 of the FCC Rules. Operation is subject to the following two conditions: (1) This device may not cause harmful interference, and (2) this device must accept any interference received, including interference that may cause undesired operation.

RF Exposure Information

The device has been evaluated to meet general RF exposure requirement. The device can be used in portable exposure condition without restriction.