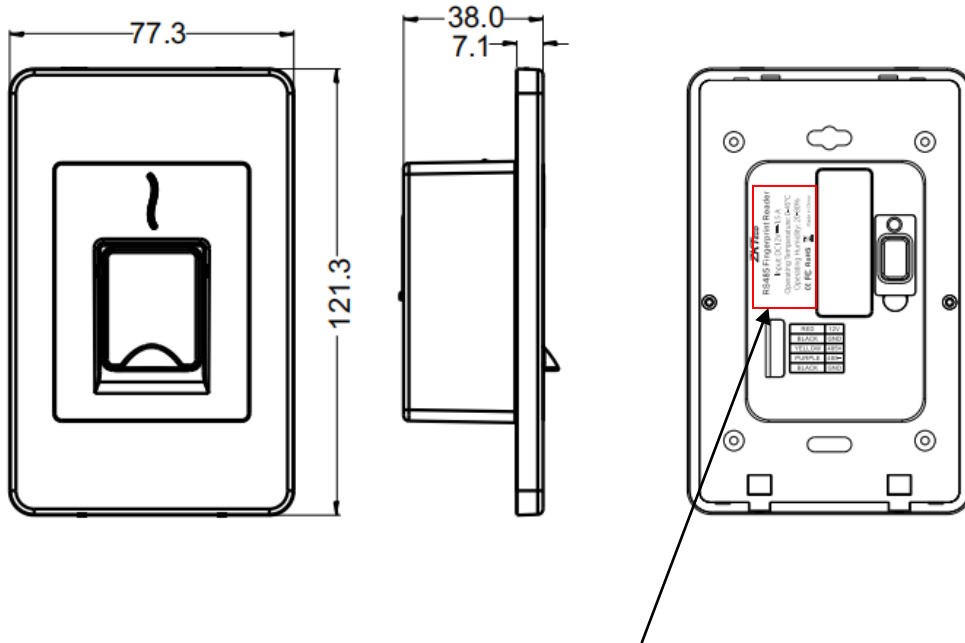


Dimensions(mm)



ZKT_{ECO}

RS485 Fingerprint Reader

Model: FR1500S

Input: DC 12V

Operating Temperature: 0°C–45°C

Operating Humidity: 10%–90%

FCC ID: 2AJ9T-FR1500SM

Made in China



This device complies with Part 15 of the FCC Rules. Operation is subject to the following two conditions:

1. This device may not cause harmful interference, and
2. This device must accept any interference received, including interference that may cause undesired operation.