

Installation Guide

ZL400

Version: 1.0

Date: April 2019

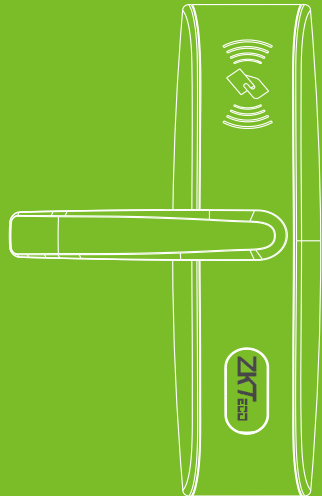
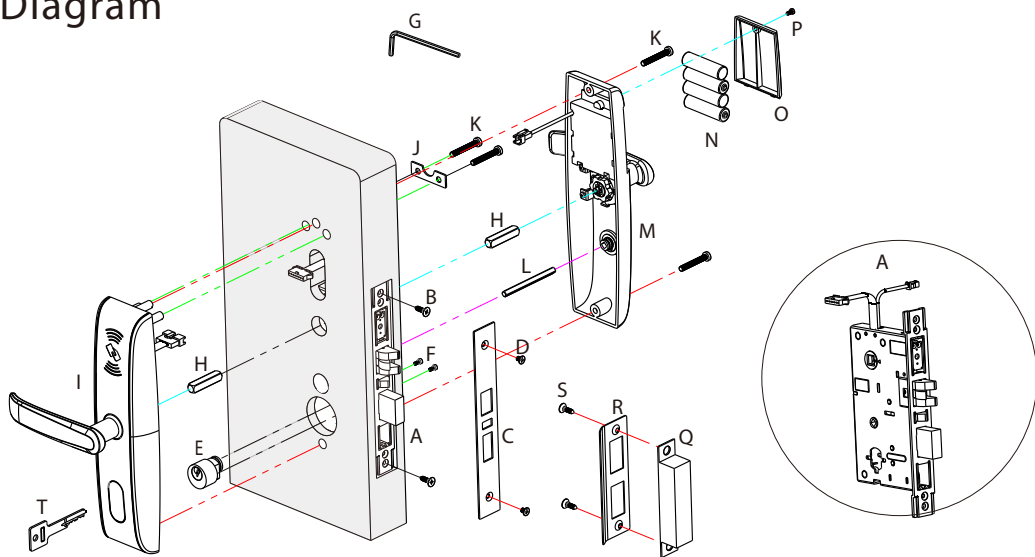


Diagram and Caution

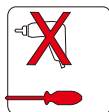
Diagram



Caution



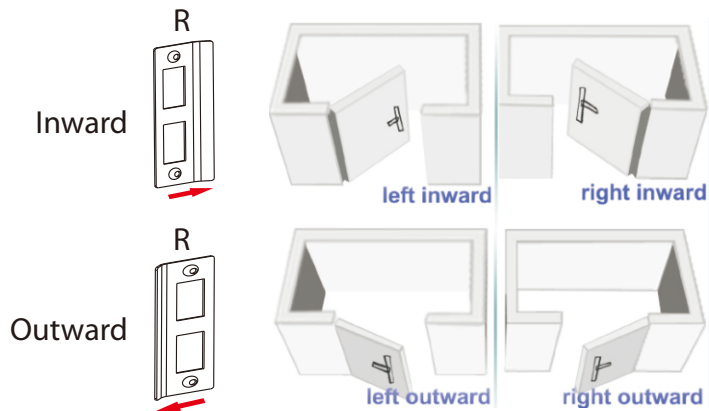
Do not overexert when tighten the screws.



Do not use electric tool to tighten the screws.

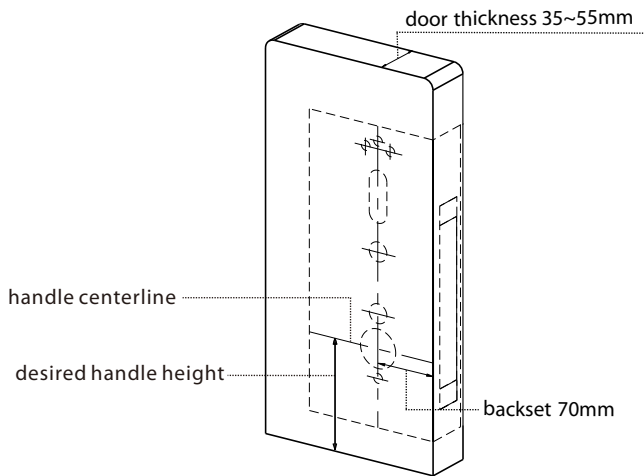


Please wear eye-protection device to protect your eyes when drilling and slotting

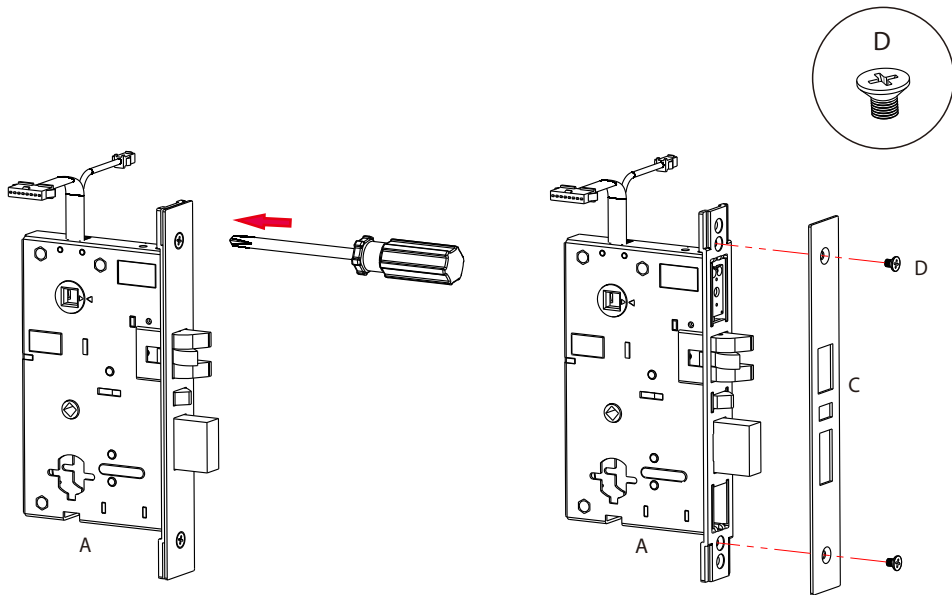


Installation Step

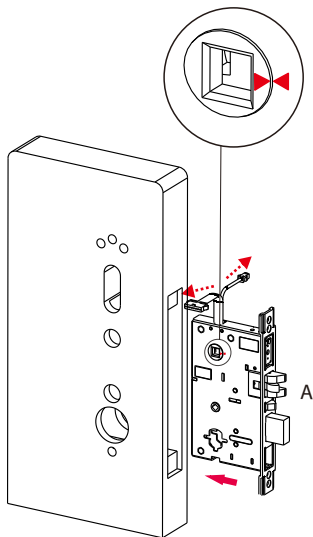
1. Align the template along the vertical center line of the mortise at the desired handle height, and tape it to the door. Drill the hole on the door.



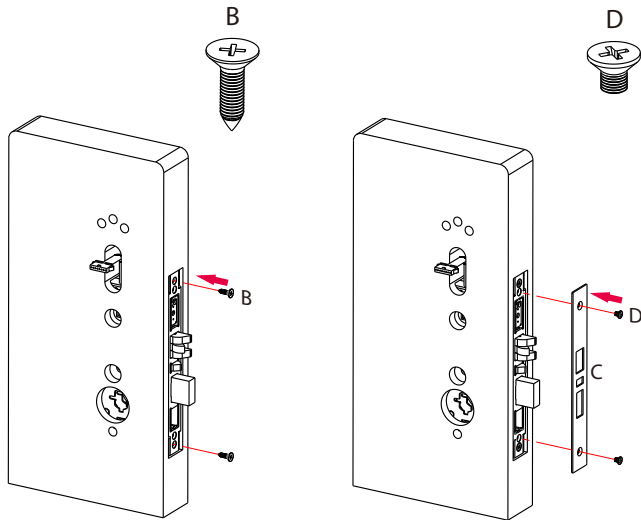
2. Remove two screws (D) from mortise latch plate



3. Install mortise (A)

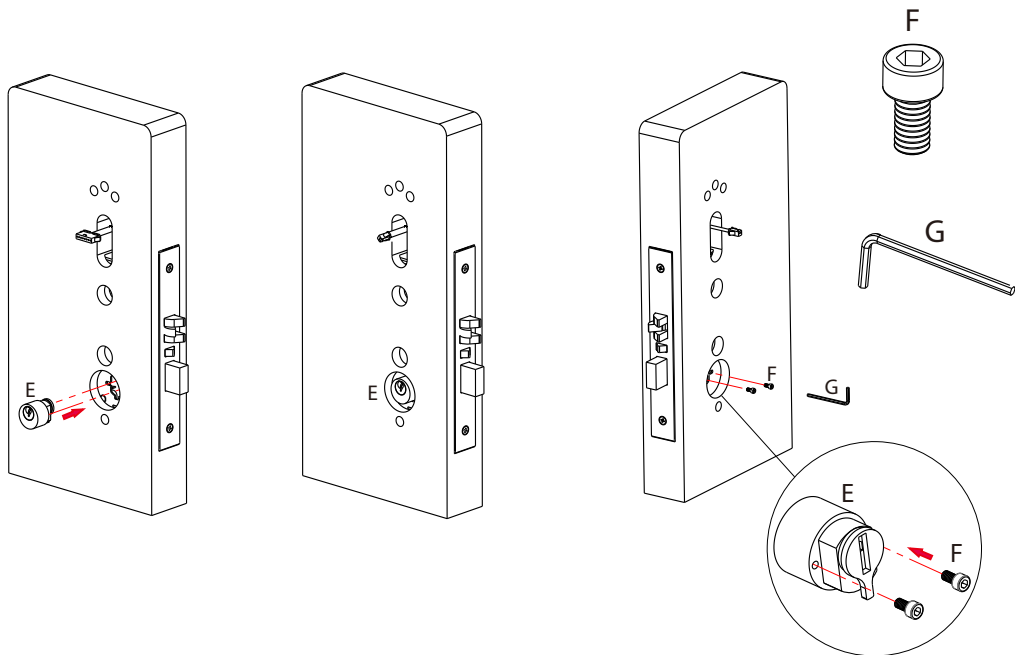


4. Install mortise latch plate (C)

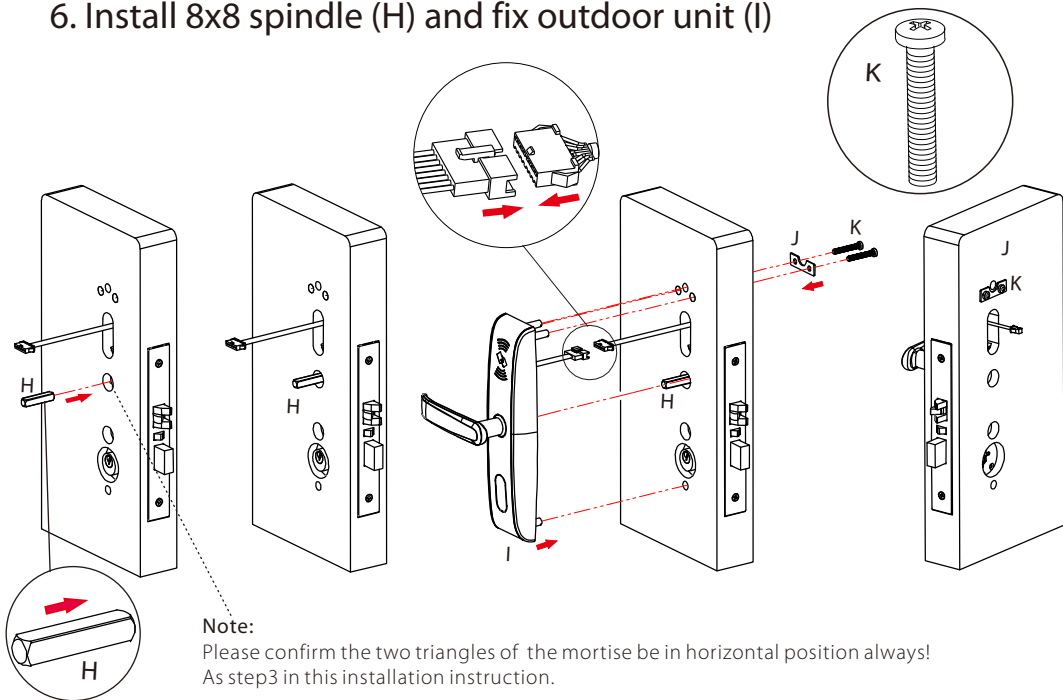


Note: Two Triangles on the mortise must be in horizontal alignment (as the above enlarged figure).

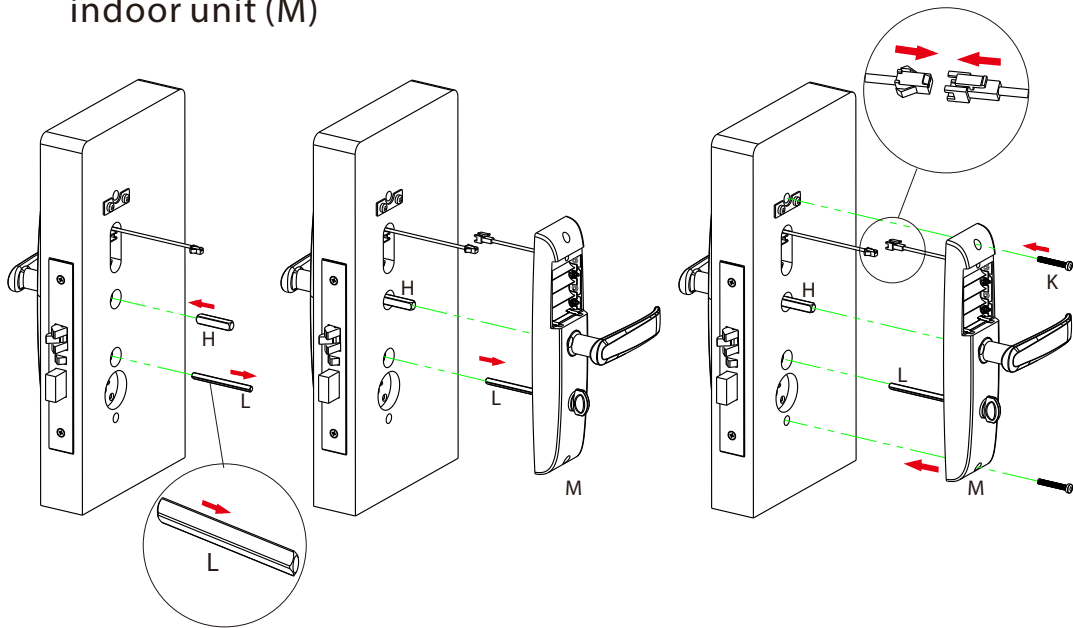
5. Install lock cylinder (E)



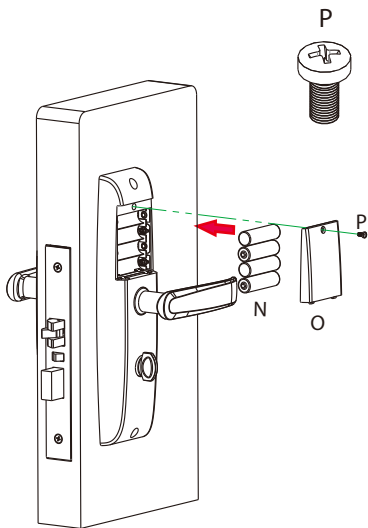
6. Install 8x8 spindle (H) and fix outdoor unit (I)



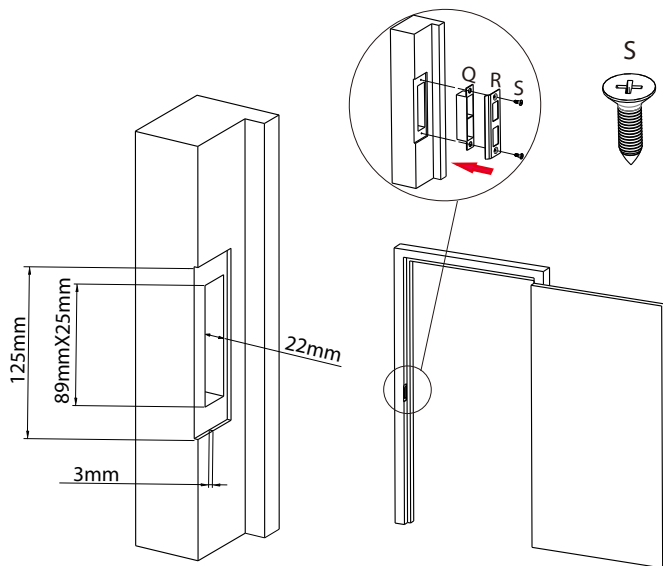
7. Install 8x8 spindle (H) and 5x5 spindle (L), and fix the indoor unit (M)



8. Install batteries (N)

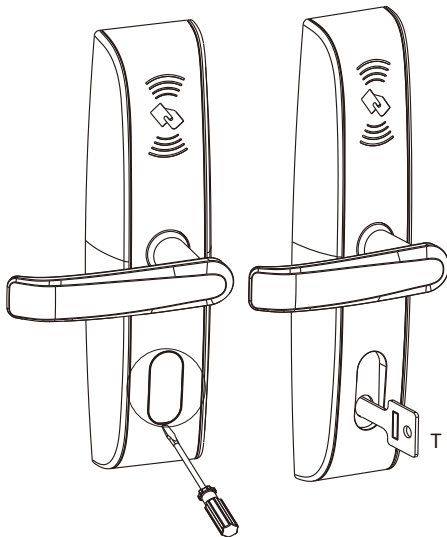


9. Measure the doorframe for strike dimensions and drill the hole



10. Test lock

1. Test lock by rotating handle and emergency key.
2. You can use emergency key by removing the cover on the lock cylinder with screwdriver or nails.



Maintenance

1. Avoid contacting with corrosive substances.
2. Do not hang objects on the handle.
3. When battery power is lower, the lock will beep to remind user to renew the batteries.
4. Please do not mix up positive and negative while replacing battery.
5. To avoid leaking, it is better to renew battery at least once in half year. Do not use battery of poor quality.

Warm tips

1. The demonstration figure in this installation instruction maybe different with your actual product, the actual product shall prevail.
2. The software within the lock manages the RFID cards, for more details please refer to the software user manual.
3. Please keep the emergency key in a safe place, as backup.
4. If there are any questions, please do not hesitate to contact the seller.

FCC warning:

Any Changes or modifications not expressly approved by the party responsible for compliance could void the user's authority to operate the equipment.

Note: This equipment has been tested and found to comply with the limits for a Class B digital device, pursuant to part 15 of the FCC Rules. These limits are designed to provide reasonable protection against harmful interference in a residential installation. This equipment generates uses and can radiate radio frequency energy and, if not installed and used in accordance with the instructions, may cause harmful interference to radio communications. However, there is no guarantee that interference will not occur in a particular installation. If this equipment does cause harmful interference to radio or television reception, which can be determined by turning the equipment off and on, the user is encouraged to try to correct the interference by one or more of the following measures:

- Reorient or relocate the receiving antenna.
- Increase the separation between the equipment and receiver.
- Connect the equipment into an outlet on a circuit different from that to which the receiver is connected.
- Consult the dealer or an experienced radio/TV technician for help.

Any Changes or modifications not expressly approved by the party responsible for compliance could void the user's authority to operate the equipment.

This device complies with part 15 of the FCC Rules. Operation is subject to the following two conditions:

- (1) This device may not cause harmful interference,
- (2) This device must accept any interference received, including interference that may cause undesired operation.

The device has been evaluated to meet general RF exposure requirement. The device can be used in portable exposure condition without restriction.

No.26,Pingshan 188 Industry zone,
Tangxia Town,Dongguan City,
Guangdong Province,China 523728

Tel: +86 755-89602345
Fax: +86 755-89602394
www.zkteco.com

