

User Manual

KR500

Version: 1.0

Date: November 2020

Table of Contents

1. Overview.....	1
2. Features.....	1
3. Wire Function Description.....	2
4. Specifications.....	2
Limit Parameters.....	2
5. Wiegand Connections.....	3
6. Precautions.....	3

1. Overview

KR500 is a non-contact RFIC card reader . It adopts the high-performance RF card reader circuit designed by ZKTeco. It is characterized by the high integration degree, strong anti-interference capability, compact size, stable performance, and cost effectiveness. KR500 provides the Wiegand 26 communication interface, and is applicable to various RF identification fields, such as the access control, attendance, charging, anti-theft, and patrol systems.

2. Features

- The card reader is equipped with a card-reading antenna that works at 125KHz.
- The effective distance ranges from 0 to 5cm, depending on the working environment and card type.
- The data receiving time is less than 80ms within the effective distance.
- The card reader adopts the single +12 VDC power supply, and the operating current is less than 100mA.
- The data is output in the standard Wiegand26 bits format by default.
- The card reader is produced using the fully closed rubber injecting operation to achieve the waterproof and moisture-proof effects.
- The effective distance is associated with the voltage of the power supply, used ID cards, and operating environment.

3. Wire Function Description

Red wire: VCC; +12V

Black wire: GND

Green wire: Wiegand D0

White wire: Wiegand D1

Grey wire: Green LED

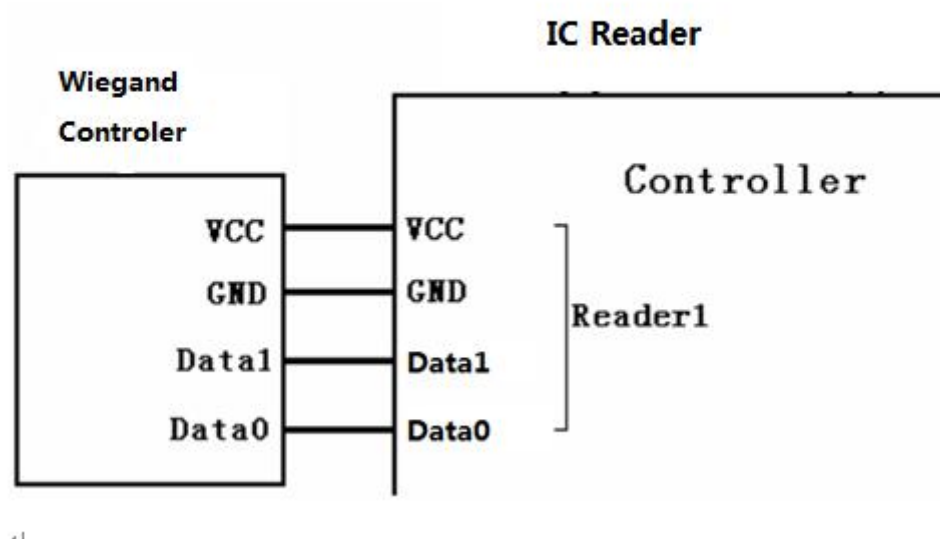
Purple wire: Beeper

4. Specifications

Limit Parameters

Item	Value
Power	+12V
Operating temperature	-20°C to 65°C
Operating humidity	10% to 90%

5. Wiegand Connections



6. Precautions

1. The operating frequency of the card reader is 125KHz. Therefore, interference frequency ranging from 100KHz to 150KHz cannot exist on the site where the card reader is installed.
2. To prevent emission magnetic fields of card readers from affecting each other, the installation distance between every two card readers must be greater than 10 cm.

FCC Caution:

Any Changes or modifications not expressly approved by the party responsible for compliance could void the user's authority to operate the equipment.

This device complies with part 15 of the FCC Rules. Operation is subject to the following two conditions: (1) This device may not cause harmful interference, and (2) this device must accept any interference received, including interference that may cause undesired operation.

ZKTECO CO., LTD.

No. 26, Pingshan 188 Industry zone, Tangxia Town, Dongguan City, Guangdong Province, China 523728

Tel: 86-769-82109991

WWW.ZKTECO.COM
