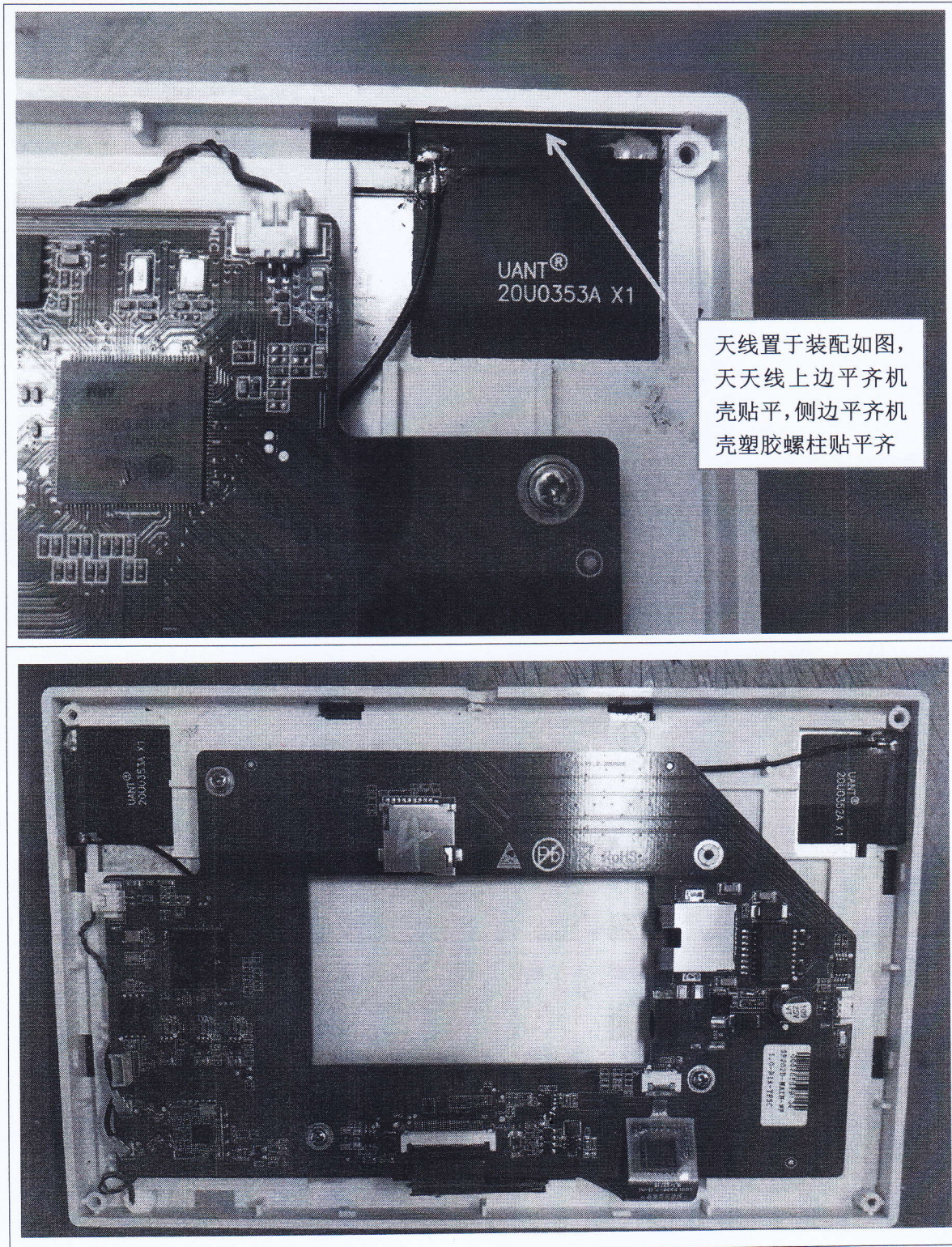


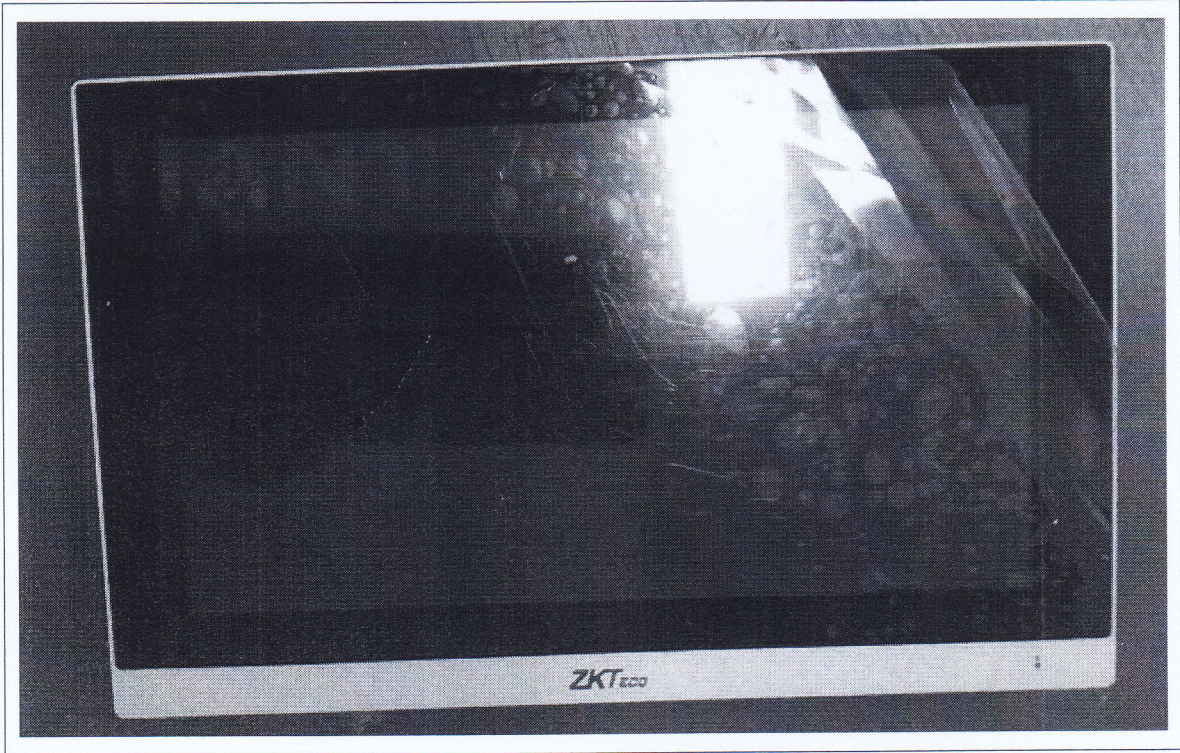
7. Antenna installation diagram



UANT[®] 东莞市优比电子有限公司

好天线 · 优比造

Dongguan Youbi Electronics Co., Ltd



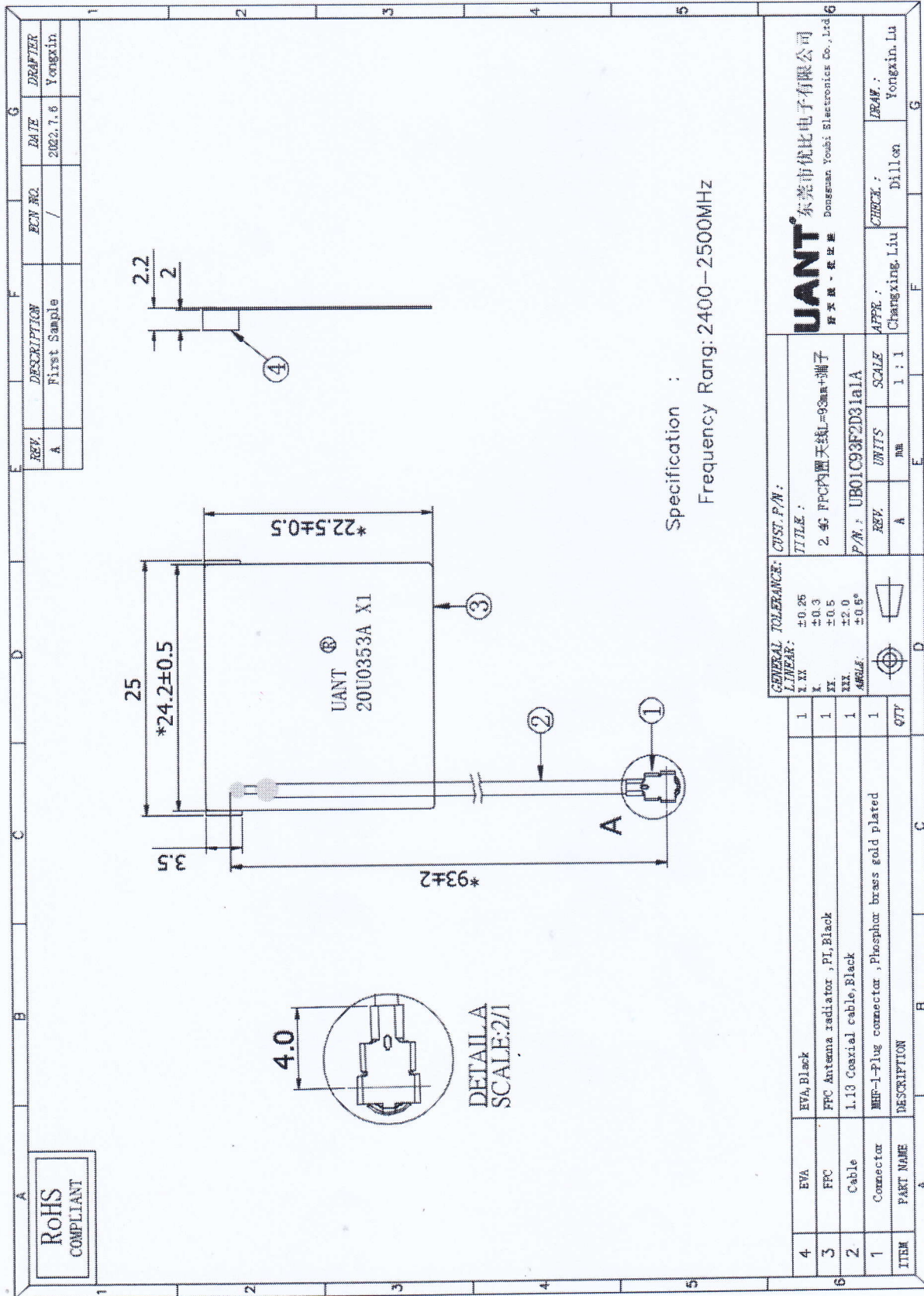
Dongguan Youbi Electronics Co.,LTD
Room 101,Building 2,No.9,
Xinfa Road,Lin Village,Tangxia Town
Tel:+86-769-81777126

Hangzhou Youbige Electronics Co.,LTD
Room 106,Building 3,Letong Science Park,
No.500 Qiuyi Road,Binjiang District
Website: www.ubuant.com

Shenzhen Youbi Electronics Co.,LTD
Room 106, Building A,Xinzheng Industrial Park,
57 Liuxian Road, Bao 'an District, Shenzhen

10 / 13

8. Mechanical Specification



RoHS COMPLIANT

4	EVA, Black	1	GENERAL TOLERANCE:	CUST. P/N:	UANT® 东莞市优比电子有限公司 Dongguan Youbi Electronics Co., Ltd
3	FPC Antenna radiator, PI, Black	1	LINEAR:	TITLE:	东莞市优比电子有限公司 Dongguan Youbi Electronics Co., Ltd
2	1.13 Coaxial cable, Black	1	±0.26	2.4G FPC内置天线-93mm+端子	好天线 · 优比造
1	Connector	1	±0.3	P/N: UB01C93F2D31a1A	
ITEM	PART NAME	QTY	±0.5	REV: A	APP: Changxing, Liu
	DESCRIPTION		±2.0	UNITS: mm	CHECK: Dillon
			±0.6°	SCALE: 1:1	DRAW: Yongxin, Lu